



US00D899402S

(12) **United States Design Patent**
Shen

(10) **Patent No.:** **US D899,402 S**

(45) **Date of Patent:** **** Oct. 20, 2020**

(54) **HEADPHONE**

(71) Applicant: **Guifeng Shen**, Pingyuan (CN)

(72) Inventor: **Guifeng Shen**, Pingyuan (CN)

(**) Term: **15 Years**

(21) Appl. No.: **29/734,215**

(22) Filed: **May 11, 2020**

(51) **LOC (12) Cl.** **14-01**

(52) **U.S. Cl.**
USPC **D14/206**; D14/226

(58) **Field of Classification Search**
USPC D14/206, 205, 225, 226; D29/112;
2/209; 381/380, 381, 374
CPC H04R 25/00; H04R 1/1016; H04R 1/1066;
H04R 5/033; H04R 5/0335; H04R 19/04
See application file for complete search history.

(56) **References Cited**

U.S. PATENT DOCUMENTS

- 3,781,492 A * 12/1973 Cragg H04R 1/105
379/430
- 5,793,878 A * 8/1998 Chang H04R 5/0335
381/370
- D410,466 S * 6/1999 Mouri D14/205
- D420,356 S * 2/2000 Suzuki D14/205
- D435,249 S * 12/2000 Yasutomi D14/205
- D445,416 S * 7/2001 Glezerman D14/206
- D457,512 S * 5/2002 Yoneda D14/205
- 6,560,346 B2 * 5/2003 Ohta H04R 1/083
381/370
- D479,837 S * 9/2003 Sundquist D14/228
- 6,625,293 B1 * 9/2003 Nageno H04R 1/08
181/20
- D481,375 S * 10/2003 Suzuki D14/206
- D488,146 S * 4/2004 Minto D14/206
- 7,106,873 B1 * 9/2006 Harrison A61N 1/36038
381/330
- D533,166 S * 12/2006 Marquez D14/225

- D533,869 S * 12/2006 Drambarean D14/225
- D563,382 S * 3/2008 Wikel D14/205
- D567,215 S * 4/2008 Lee D14/205
- 7,412,070 B2 * 8/2008 Kleinschmidt H04R 1/1066
381/374
- D578,508 S * 10/2008 Wang D14/206
- D581,394 S * 11/2008 Lee D14/205
- D589,028 S * 3/2009 Haapapuro D14/206
- D594,847 S * 6/2009 Suzuki D14/205
- D609,694 S * 2/2010 Komiyama D14/205
- D617,781 S * 6/2010 Kallas D14/226
- D620,474 S * 7/2010 Komiyama D14/205
- D620,482 S * 7/2010 Chen D14/225
- D635,959 S * 4/2011 Hutchieson D14/205
- D637,176 S * 5/2011 Brunner D14/205
- D641,003 S 7/2011 Alden

(Continued)

Primary Examiner — Paula Allen Greene

(74) *Attorney, Agent, or Firm* — KA Filing LLC; Wayne Harper; Cynthia Flanigan

(57) **CLAIM**

I claim the ornamental design for a headphone, as shown and described.

DESCRIPTION

FIG. 1 is a left Perspective view of a headphone showing my new design;
 FIG. 2 is the right Perspective view thereof;
 FIG. 3 is a Front view thereof;
 FIG. 4 is a Back view thereof;
 FIG. 5 is a Right-side view thereof;
 FIG. 6 is a Left-side view thereof;
 FIG. 7 is a Top view thereof; and,
 FIG. 8 is a Bottom view thereof.
 The broken lines on the headphone headband represent stitching. The broken lines in the headphone ear cups represent unclaimed environment that forms no part of the claimed design.

1 Claim, 8 Drawing Sheets



(56)

References Cited

U.S. PATENT DOCUMENTS

D642,554	S	*	8/2011	Schaal	D14/205
D652,405	S	*	1/2012	Lee	D14/205
D674,767	S	*	1/2013	Brunner	D14/205
D684,559	S	*	6/2013	Groset	D14/205
D686,593	S	*	7/2013	Larsen	D14/205
D691,113	S	*	10/2013	Gougherty	D14/206
D691,984	S	*	10/2013	Wang	D14/205
D696,226	S	*	12/2013	Brunner	H04R 5/033
						D14/205
D699,702	S	*	2/2014	Chen	D14/205
D716,762	S	*	11/2014	Greve	D14/206
D728,512	S	*	5/2015	Nakagawa	D14/205
D736,174	S	*	8/2015	Levine	D14/205
D741,842	S	*	10/2015	Levine	D14/226
D750,041	S	*	2/2016	Birger	D14/205
D766,870	S	*	9/2016	Catalano	D14/205
D768,110	S	*	10/2016	Suzuki	D14/205
D768,111	S	*	10/2016	Nam	D14/205
D786,824	S	*	5/2017	Hembrey	D14/205
D795,835	S		8/2017	Nagamine et al.		
D800,092	S		10/2017	Paterson et al.		
D810,055	S	*	2/2018	Levine	D14/226
D840,370	S	*	2/2019	Kelly	D14/205
D841,620	S	*	2/2019	Liu	D14/206
D855,036	S	*	7/2019	Yan	D14/206
D864,155	S	*	10/2019	Liu	D14/206
D864,156	S	*	10/2019	Liu	D14/206
D870,696	S	*	12/2019	Deng	D14/206
D872,050	S	*	1/2020	Liu	D14/206
D877,116	S	*	3/2020	Liu	D14/206
D881,843	S	*	4/2020	Hu	D14/206
D883,949	S	*	5/2020	Hu	D14/205
D885,363	S	*	5/2020	Li	D14/205
2005/0286717	A1	*	12/2005	Viduya	H04M 1/18
						379/430

* cited by examiner



FIG. 1

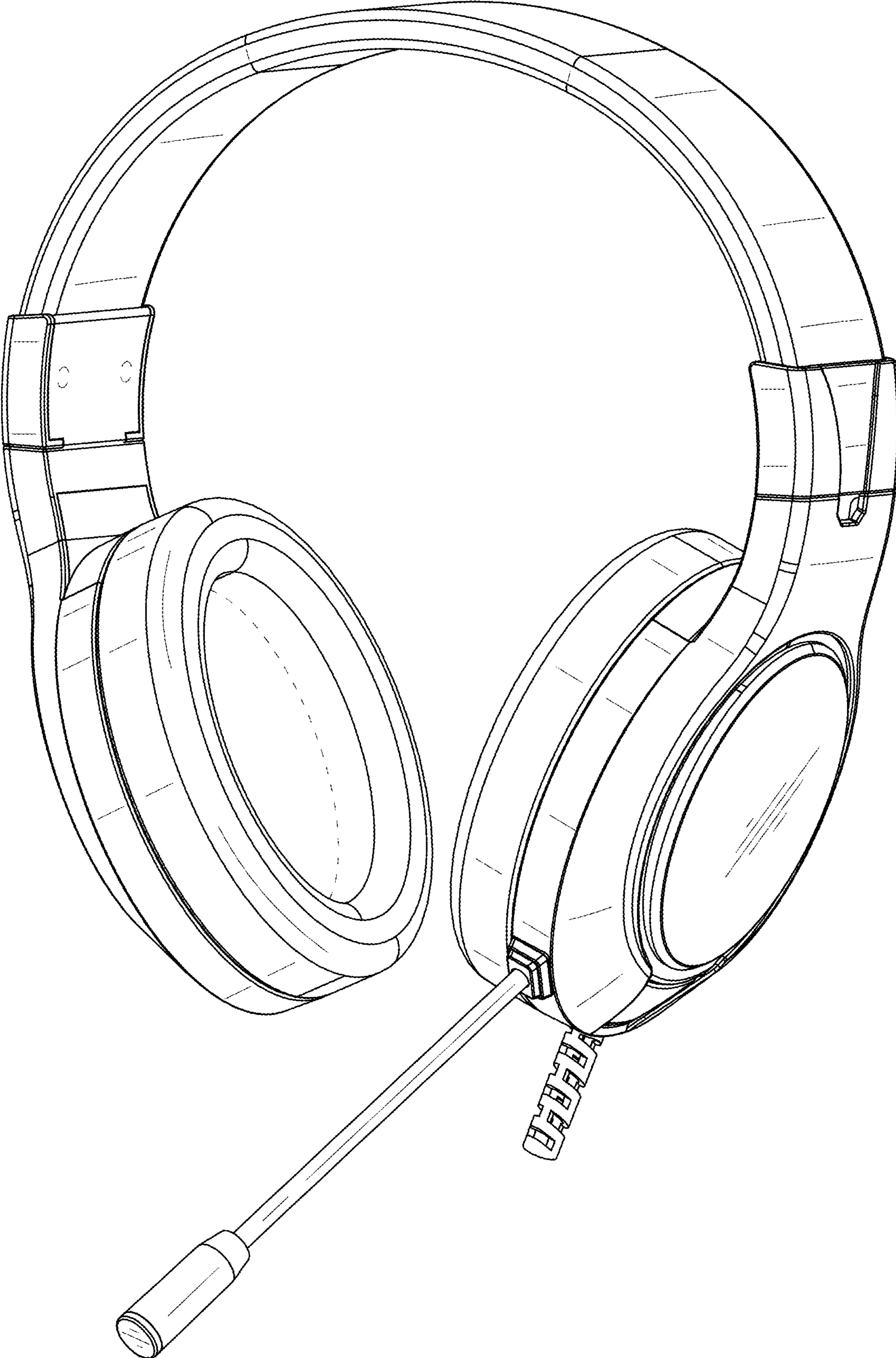


FIG. 2



FIG. 3



FIG. 4

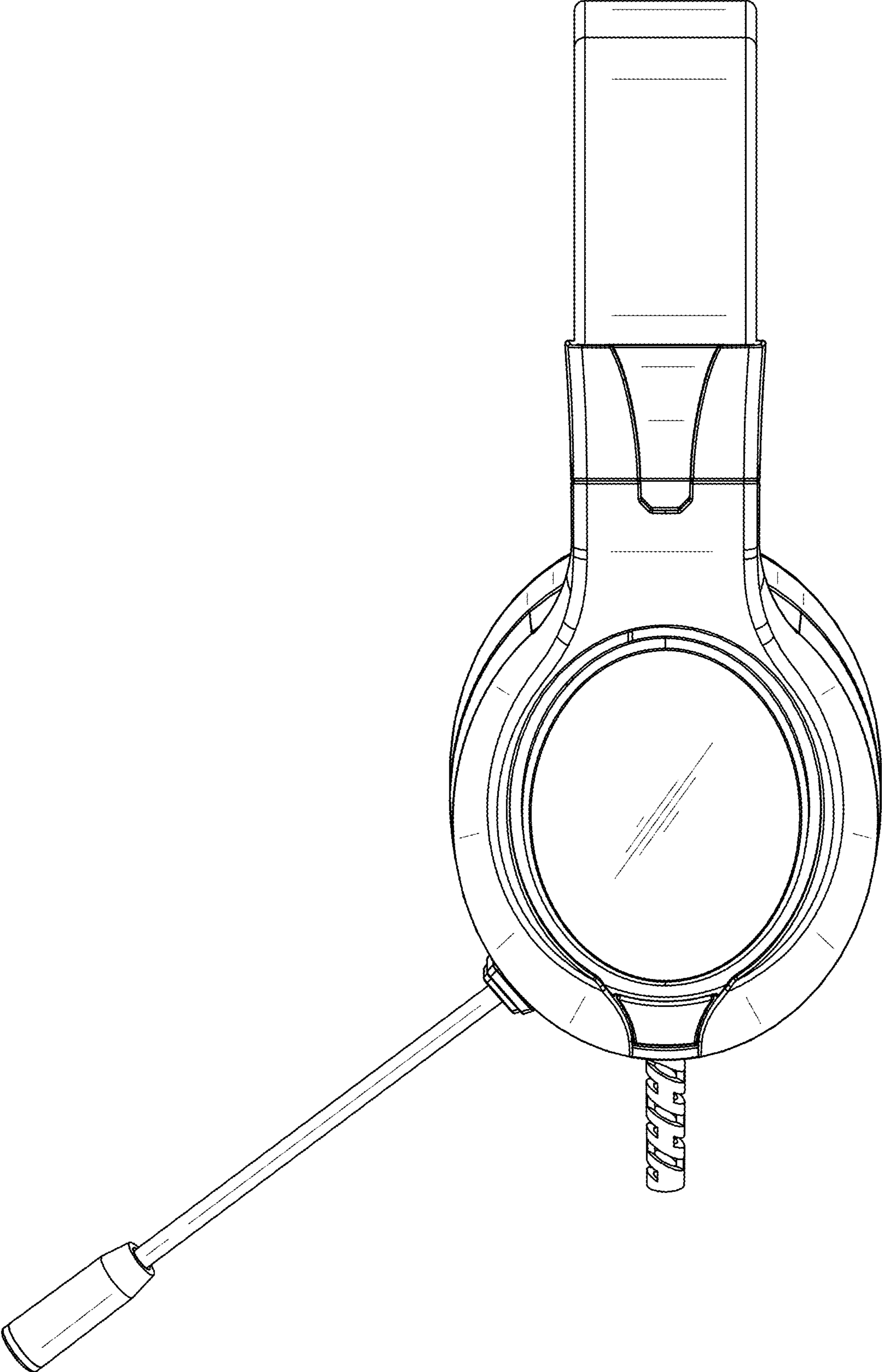


FIG. 5

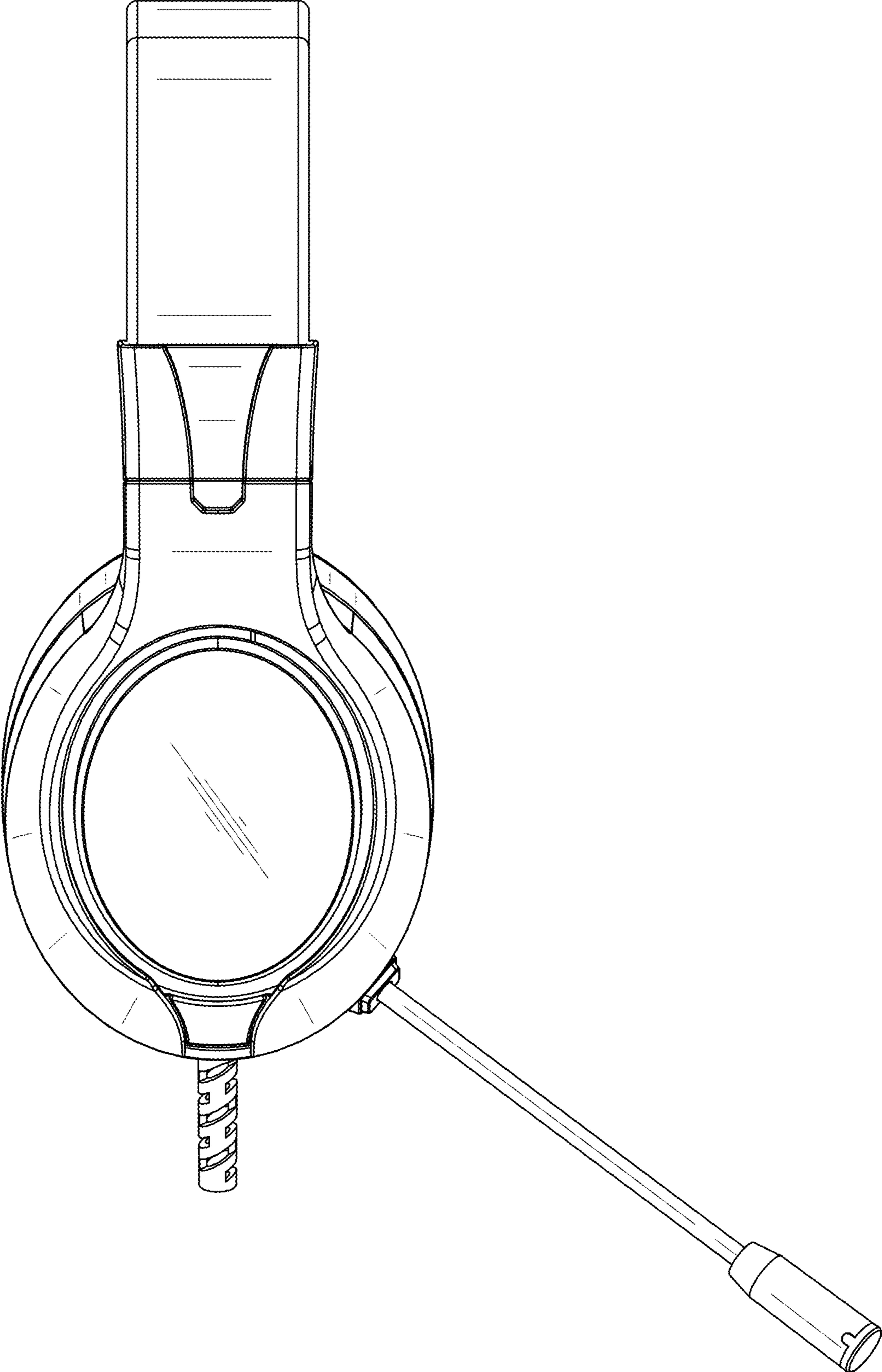


FIG. 6

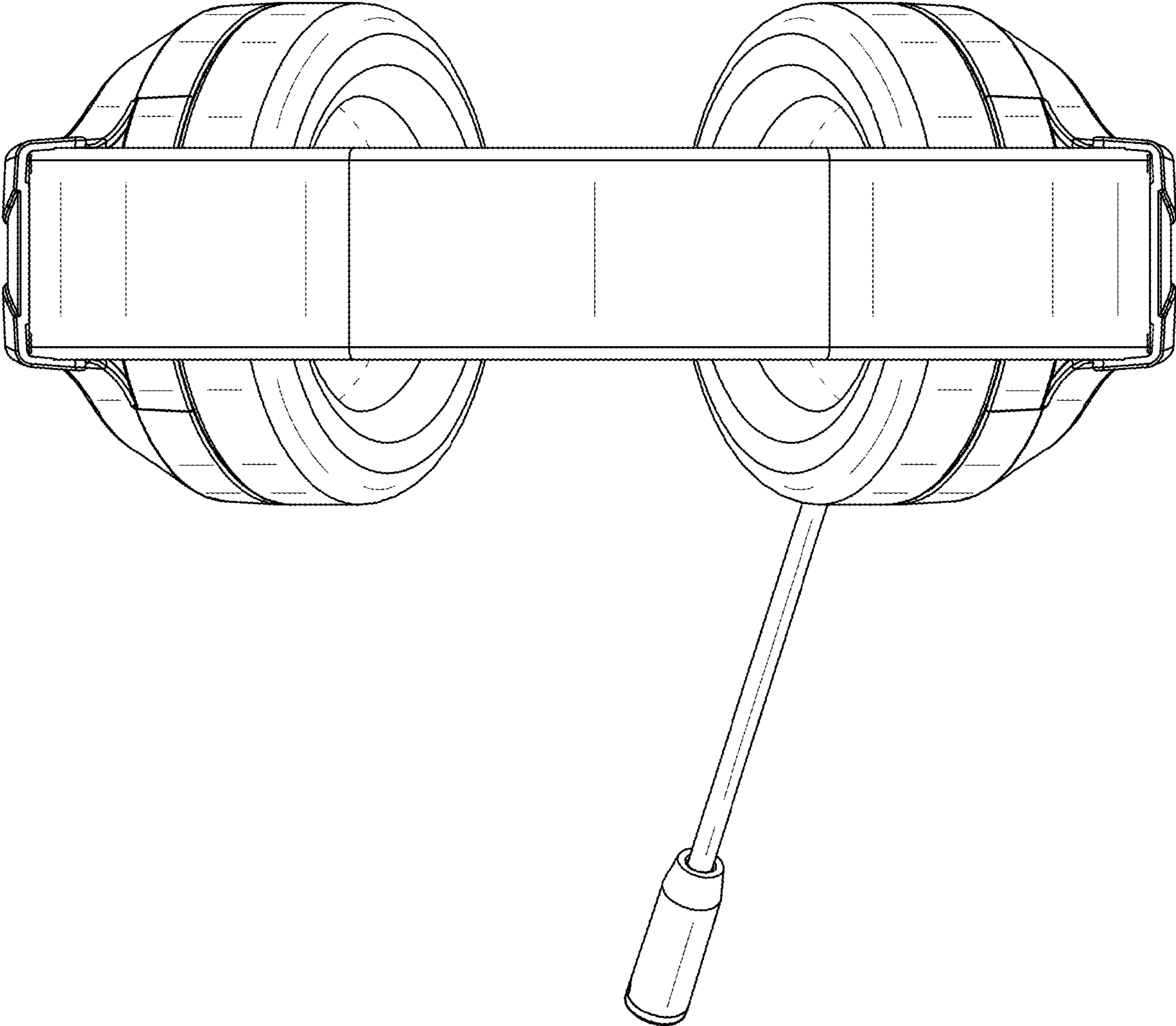


FIG. 7

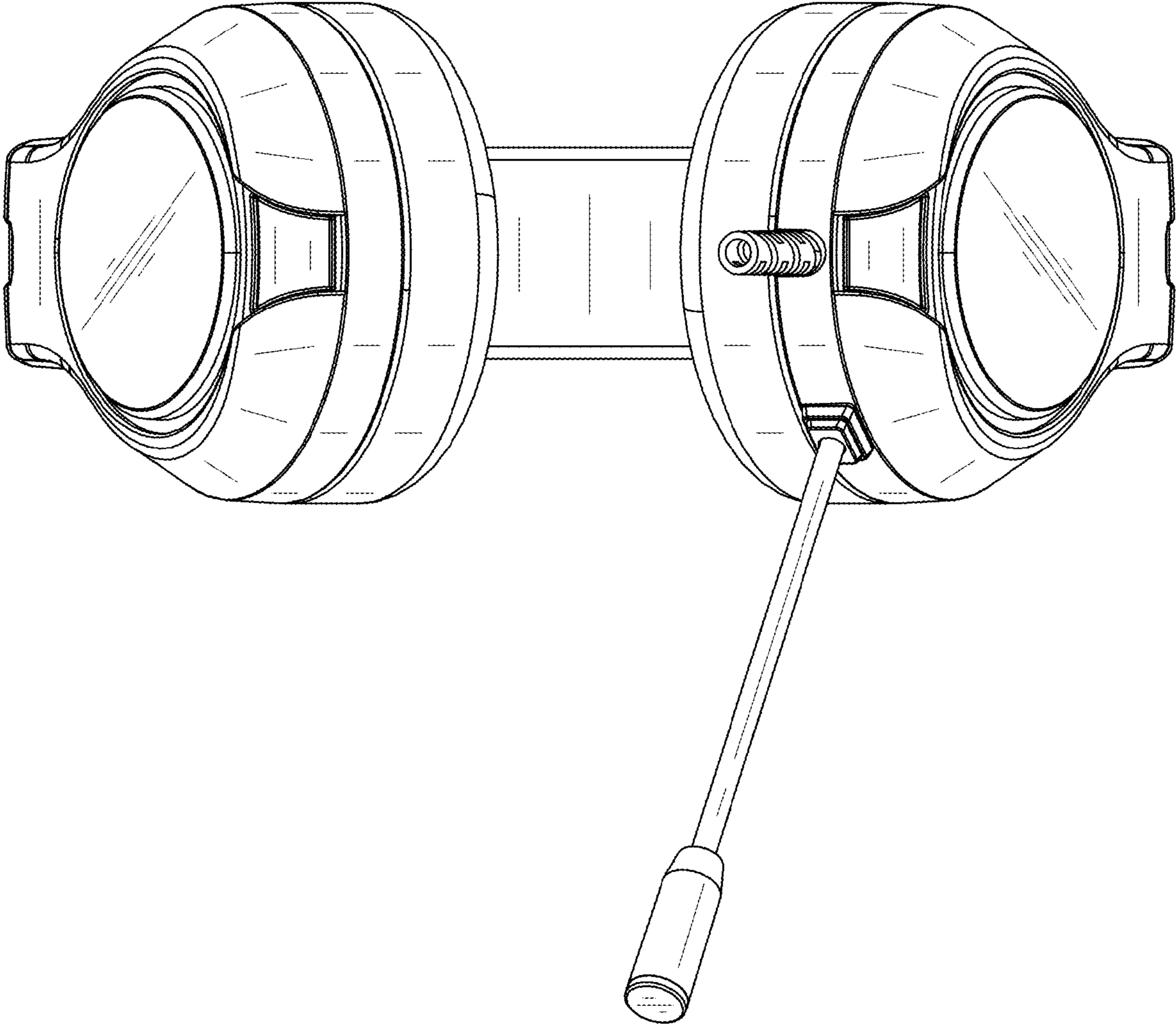


FIG. 8