



US00D899401S

(12) **United States Design Patent**  
**Smiechowski et al.**

(10) **Patent No.:** **US D899,401 S**

(45) **Date of Patent:** **\*\* Oct. 20, 2020**

(54) **HEADPHONES**

(71) Applicant: **Apple Inc.**, Cupertino, CA (US)

(72) Inventors: **Christina J. Smiechowski**, West Hollywood, CA (US); **Carlos M. Santana**, Granada Hills, CA (US); **Kevin P. Blasko**, Santa Monica, CA (US); **Guillaume Raoult**, San Francisco, CA (US); **Christopher Kuh**, San Francisco, CA (US); **Robert Brunner**, Glen Ellen, CA (US)

(73) Assignee: **Apple Inc.**, Cupertino, CA (US)

(\*\*) Term: **15 Years**

(21) Appl. No.: **29/691,340**

(22) Filed: **May 15, 2019**

(51) **LOC (12) Cl.** ..... **14-01**

(52) **U.S. Cl.**  
USPC ..... **D14/205**

(58) **Field of Classification Search**  
USPC ..... D14/205, 188, 192; D29/112; 2/209;  
381/380, 381, 374; 455/90.3, 575.1,  
455/569.1

CPC .... H04R 25/00; H04R 1/1066; H04R 1/1016;  
H04R 5/033; H04R 5/0335; H04R 1/10;  
H04R 1/1091; H04R 1/1058

See application file for complete search history.

(56) **References Cited**

**U.S. PATENT DOCUMENTS**

D504,414 S *	4/2005	Yoshida	.....	D14/192
D534,155 S *	12/2006	Obata	.....	D14/205
D540,301 S *	4/2007	Obata	.....	D14/205
D552,077 S *	10/2007	Brunner	.....	D14/205
D582,890 S *	12/2008	Koza	.....	D14/205
D585,870 S *	2/2009	Zheng	.....	D14/205
D592,182 S *	5/2009	Sanguinetti	.....	D14/205
D593,995 S *	6/2009	Shimizu	.....	D14/205

D600,674 S *	9/2009	Brennwald	.....	D14/205
D603,371 S *	11/2009	Boateng	.....	D14/205
D625,705 S *	10/2010	Ohuri	.....	D14/205
D632,668 S *	2/2011	Brunner	.....	D14/205
D635,959 S *	4/2011	Hutchieson	.....	D14/205
D637,176 S *	5/2011	Brunner	.....	D14/205
D652,406 S *	1/2012	Lee	.....	D14/205
D657,344 S *	4/2012	Brunner	.....	D14/205
D657,345 S *	4/2012	Brunner	.....	H04R 1/1008 D14/205

D657,776 S *	4/2012	Lee	.....	D14/205
D660,823 S *	5/2012	Hardi	.....	D14/205

(Continued)

**FOREIGN PATENT DOCUMENTS**

CN	304018747 S	1/2017
EM	004373660-0001	9/2017
EM	007232707-0001	* 11/2019

**OTHER PUBLICATIONS**

JPO Document No. HJ22057059, Monster pp. 1-3.

*Primary Examiner* — Paula Allen Greene

(74) *Attorney, Agent, or Firm* — Sterne, Kessler, Goldstein & Fox P.L.L.C.

(57) **CLAIM**

The ornamental design for headphones, as shown and described.

**DESCRIPTION**

FIG. 1 is a top front perspective view of headphones showing the claimed design;

FIG. 2 is a top rear perspective view thereof;

FIG. 3 is a front view thereof;

FIG. 4 is a rear view thereof;

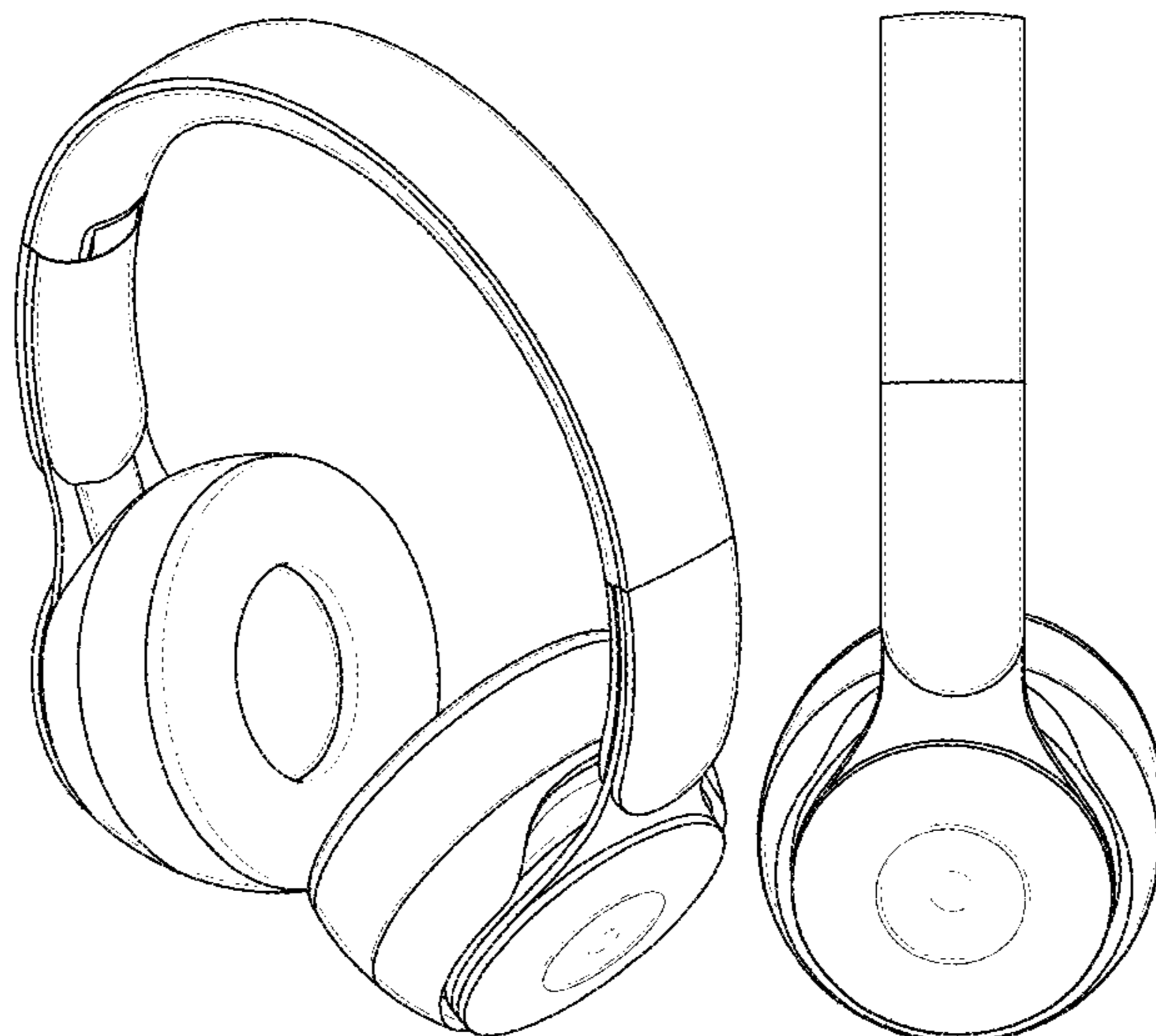
FIG. 5 is a left side view thereof;

FIG. 6 is a right side view thereof;

FIG. 7 is a top view thereof; and,

FIG. 8 is a bottom view thereof.

**1 Claim, 6 Drawing Sheets**



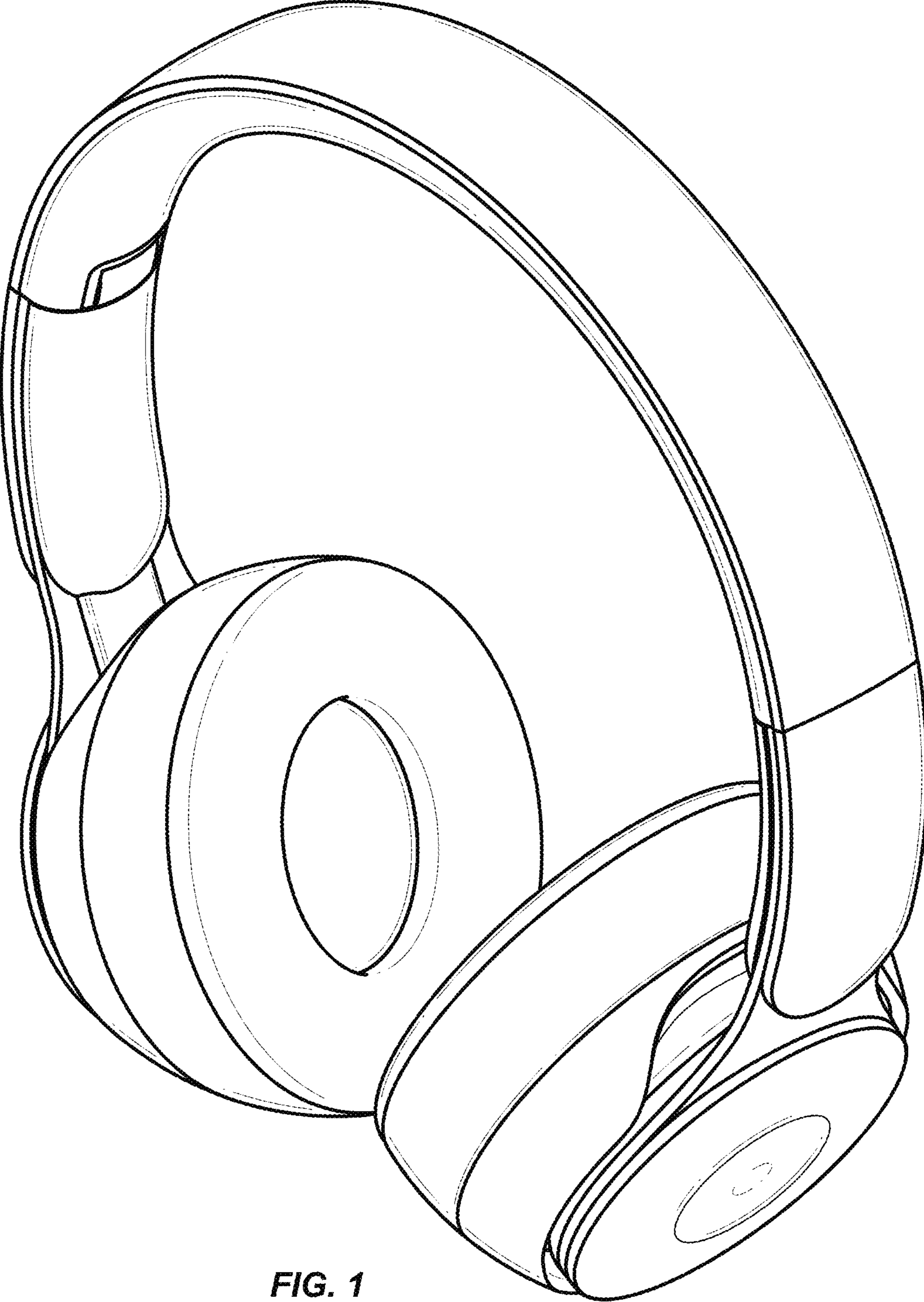
(56)

References Cited

U.S. PATENT DOCUMENTS

D660,824 S *	5/2012	Hardi	D14/205	D738,350 S *	9/2015	Brunner	D14/205
D662,080 S *	6/2012	Carr	D14/205	D739,378 S *	9/2015	Chung	D14/205
D663,716 S *	7/2012	Hardi	D14/205	D742,357 S *	11/2015	Chung	D14/205
D664,117 S *	7/2012	Tappeiner	D14/205	D760,687 S *	7/2016	Brunner	D14/205
D671,914 S *	12/2012	Lee	D14/205	D765,056 S *	8/2016	Yang	D14/205
D673,136 S *	12/2012	Kelly	D14/205	D767,531 S *	9/2016	Szymanski	D14/205
D673,520 S *	1/2013	Tan	D14/205	9,445,185 B2 *	9/2016	Brunner	H04R 1/1075
D674,767 S	1/2013	Brunner et al.		D786,824 S *	5/2017	Hembrey	D14/205
D675,595 S *	2/2013	Cho	D14/205	D791,103 S *	7/2017	Brunner	D14/205
D677,648 S *	3/2013	Lee	D14/206	D791,733 S *	7/2017	Brunner	D14/205
D678,860 S *	3/2013	Hagelin	D14/205	D796,474 S	9/2017	Treski et al.	
D683,329 S *	5/2013	Hagelin	D14/205	D800,691 S *	10/2017	Ando	D14/205
D689,843 S *	9/2013	Lee	D14/205	D809,478 S *	2/2018	Arimoto	D14/205
D691,579 S *	10/2013	Lee	D14/205	D817,303 S *	5/2018	Tragatschnig	D14/205
D691,984 S *	10/2013	Wang	D14/205	10,178,463 B2 *	1/2019	Smiechowski	H04R 1/105
D693,791 S *	11/2013	Troy	D14/205	D843,345 S *	3/2019	Brunner	D14/205
D696,226 S *	12/2013	Brunner	H04R 5/033	D856,303 S *	8/2019	Ando	D14/205
			D14/205	D858,483 S *	9/2019	Hu	D14/205
D696,228 S *	12/2013	Miyake	D14/205	D859,353 S *	9/2019	Wagner	D14/205
D699,702 S *	2/2014	Chen	D14/205	D867,327 S	11/2019	Brunner et al.	
D706,240 S *	6/2014	Szymanski	H04R 1/1066	D868,731 S *	12/2019	Jung	D14/205
			D14/205	D877,716 S *	3/2020	Hu	D14/205
D715,255 S *	10/2014	Nunez	D14/205	D879,066 S *	3/2020	Chen	D14/205
D716,760 S	11/2014	Brunner et al.		D879,742 S *	3/2020	Hu	D14/205
D725,630 S *	3/2015	Nakagawa	D14/205	D881,157 S *	4/2020	Chen	D14/205
D731,457 S *	6/2015	Brunner	D14/205	D883,949 S *	5/2020	Hu	D14/205
D732,000 S *	6/2015	Brunner	D14/205	D889,432 S *	7/2020	Brunner	D14/205
D732,503 S *	6/2015	Brunner	H04R 1/1008	2013/0087404 A1 *	4/2013	Peskar	B32B 27/40
			D14/205				181/129
D734,296 S *	7/2015	Paterson	D14/205	2013/0343591 A1 *	12/2013	Brunner	H04R 1/1075
							381/371
				2016/0212519 A1 *	7/2016	Henderson	H04R 5/0335

\* cited by examiner



**FIG. 1**

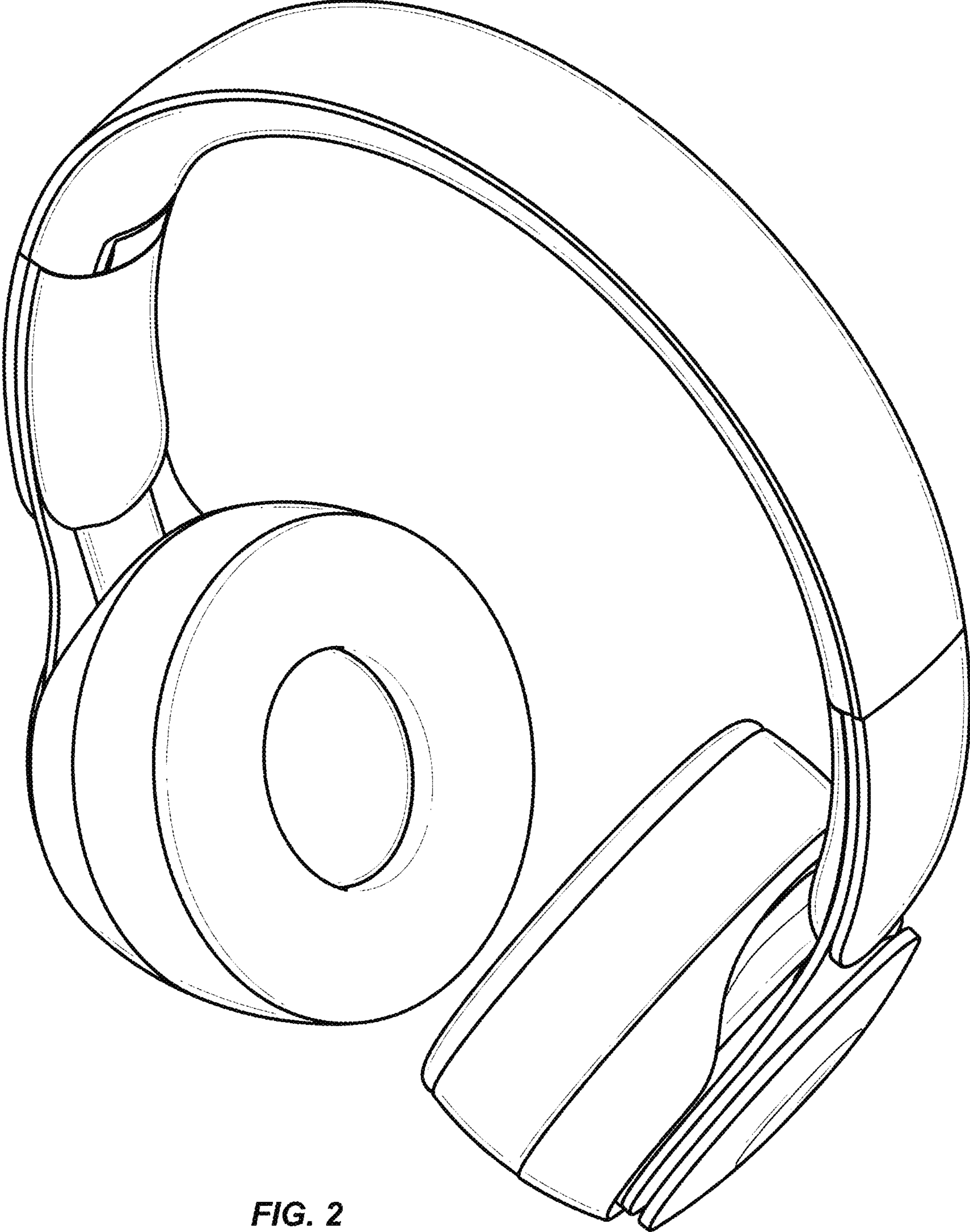


FIG. 2

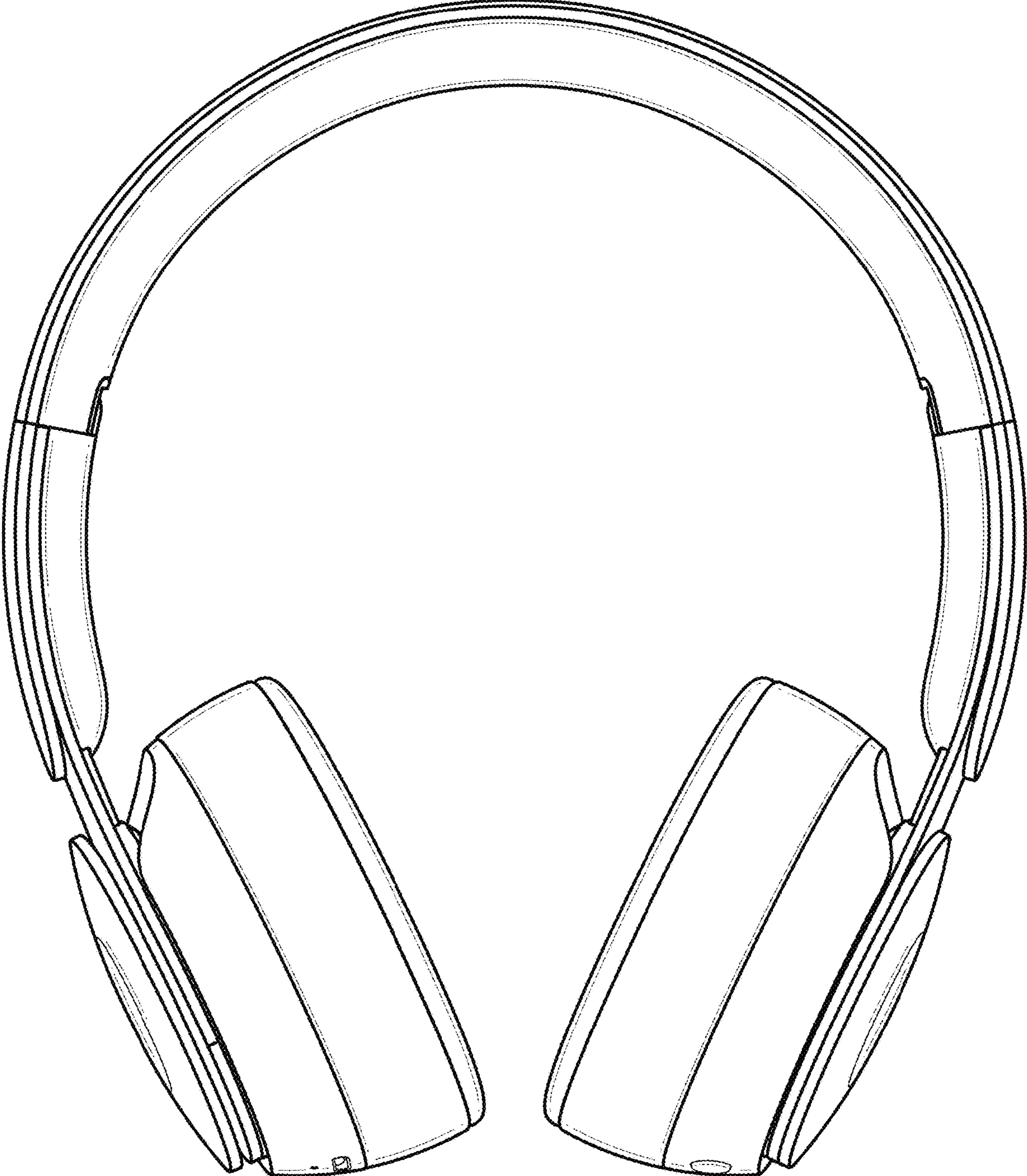


FIG. 3

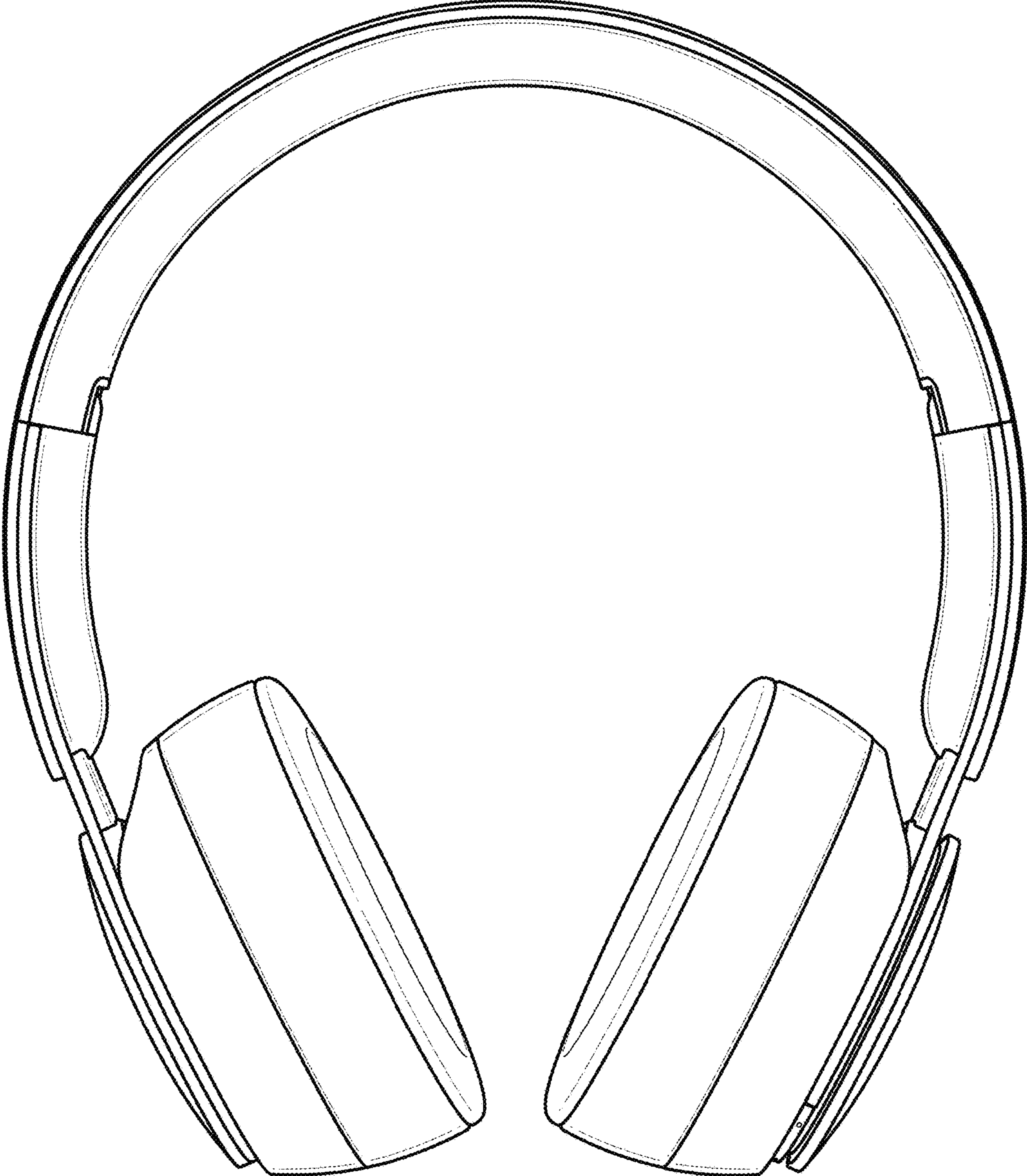
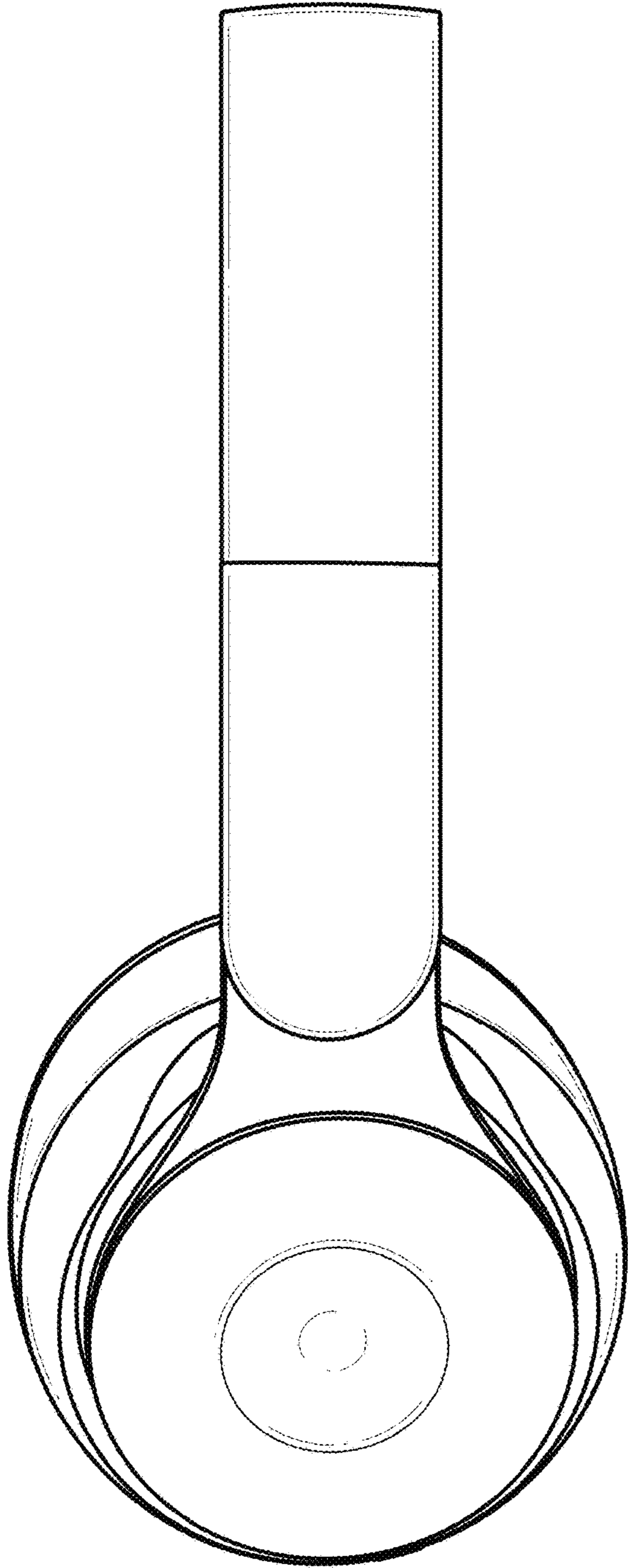
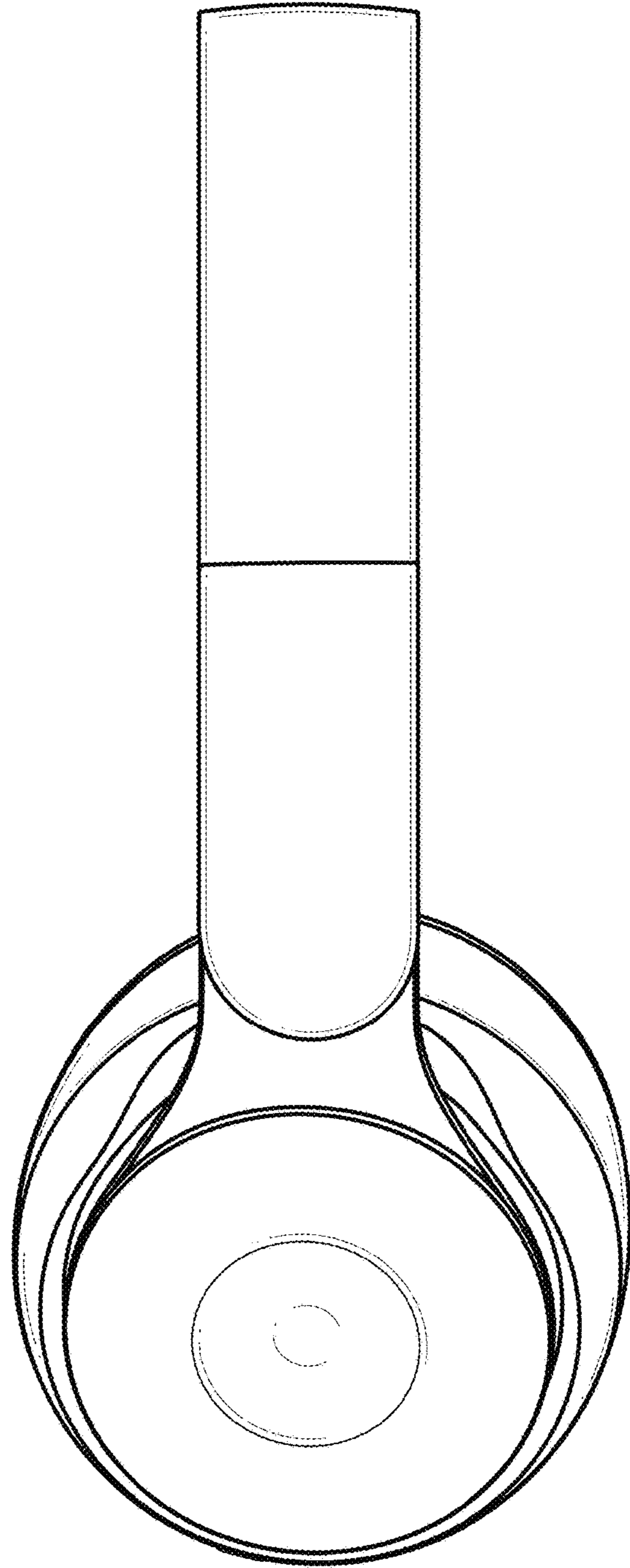


FIG. 4



**FIG. 5**



**FIG. 6**

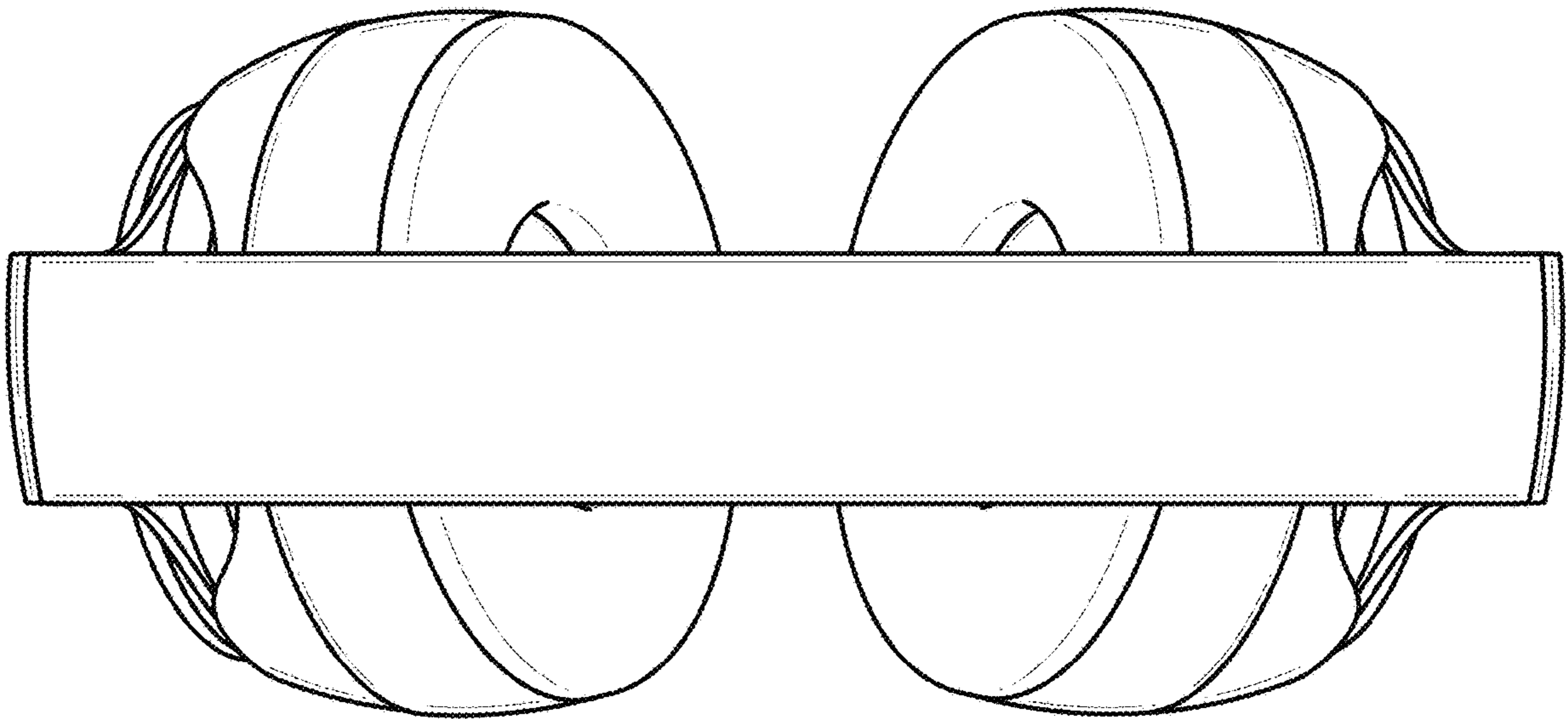


FIG. 7

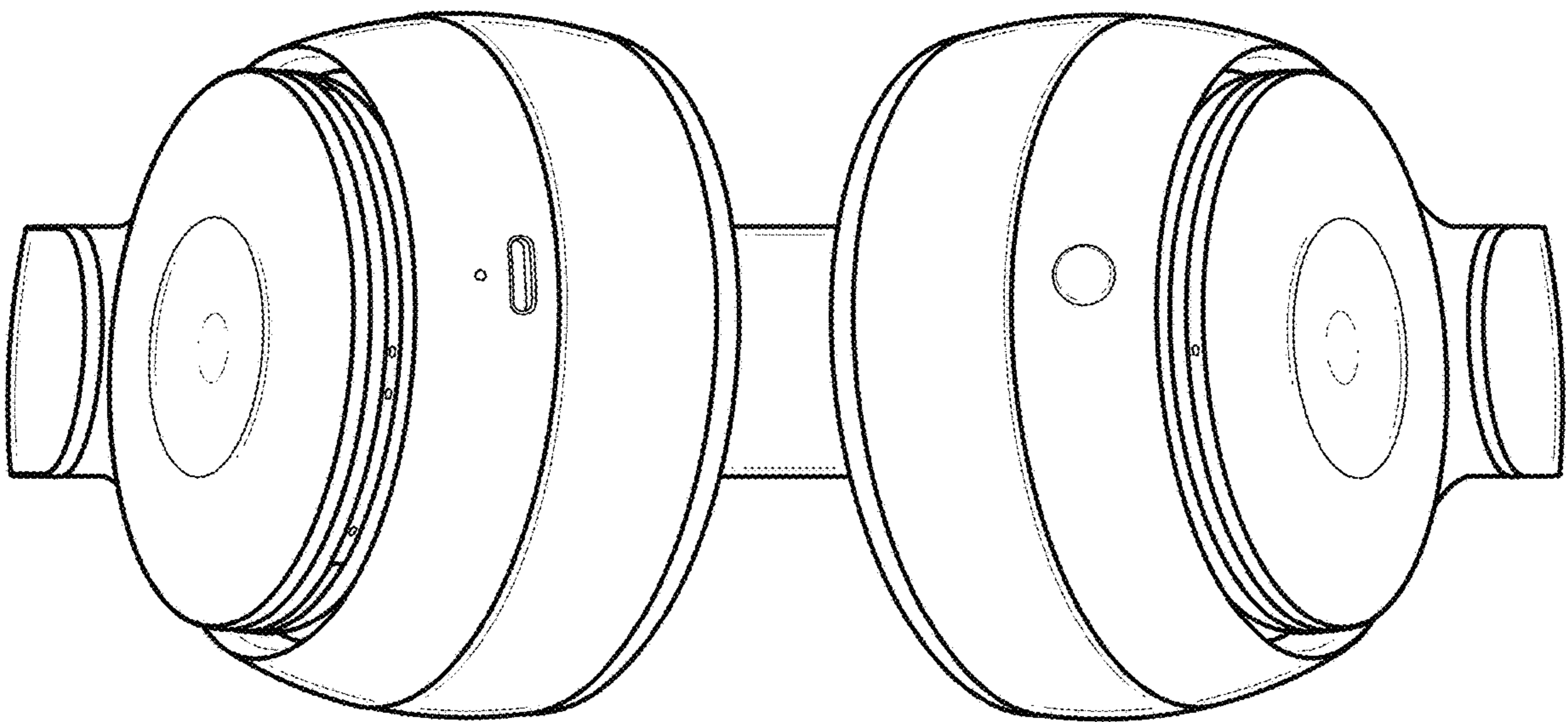


FIG. 8