



US00D899394S

(12) **United States Design Patent**
Yang

(10) **Patent No.:** **US D899,394 S**
(45) **Date of Patent:** **** Oct. 20, 2020**

(54) **BASE UNIT FOR A COMMUNICATIONS DEVICE**

(71) Applicant: **Plantronics, Inc.**, Santa Cruz, CA (US)

(72) Inventor: **Joseph W Yang**, San Jose, CA (US)

(73) Assignee: **Plantronics, Inc.**, Santa Cruz, CA (US)

(**) Term: **15 Years**

(21) Appl. No.: **29/718,145**

(22) Filed: **Dec. 20, 2019**

Related U.S. Application Data

(62) Division of application No. 29/639,459, filed on Mar. 6, 2018, now Pat. No. Des. 874,422.

(51) **LOC (12) Cl.** **14-03**

(52) **U.S. Cl.**
USPC **D14/150**

(58) **Field of Classification Search**
USPC ... D14/140, 140.1, 140.7, 140.8, 141.2, 142, D14/144, 147, 148, 149, 150, 151, 158, D14/159, 188, 217, 240, 243, 247, 248, D14/251, 299, 329, 462, 467, 471, 130, D14/403, 338, 336, 223, 224; D21/517; D24/165; D13/107, 108
CPC H04M 1/00; H04M 1/003; H04M 1/02; H04M 1/0289; H04M 1/0297; H04M 1/0214; H04M 1/03; H04M 1/23; H04M 1/253; H04M 1/2535; H04M 1/06; H04M 1/08; H04M 7/006
See application file for complete search history.

(56) **References Cited**

U.S. PATENT DOCUMENTS

D291,567 S * 8/1987 Read D14/149
D294,249 S * 2/1988 Hyvonen D14/151

D294,694 S * 3/1988 Steward D14/130
D299,030 S * 12/1988 Menn D14/151
D301,475 S * 6/1989 Nagele D14/142
D303,522 S * 9/1989 Meda D14/329
D303,965 S * 10/1989 Helstab D14/142
D304,726 S * 11/1989 Brooks D14/149
D305,537 S * 1/1990 Gilmore D14/142
D306,023 S * 2/1990 Gagnon D14/149
D307,009 S * 4/1990 Boykiw D14/149
D317,446 S * 6/1991 Vossoughi D14/374
D322,777 S * 12/1991 Nishio D14/314
D323,657 S * 2/1992 Danielson 379/368
D345,972 S * 4/1994 Grewe D14/130
D365,560 S * 12/1995 Buchin D14/151
D426,816 S * 6/2000 Lucente D14/336
D482,674 S * 11/2003 Rath D14/206
D500,022 S * 12/2004 Rath D14/206
D519,975 S * 5/2006 Skulley D13/108
D520,983 S * 5/2006 Siebke D14/144
D529,477 S * 10/2006 Hsu D14/151
D554,116 S * 10/2007 Liu D13/108

(Continued)

Primary Examiner — Marie D. Fast Horse

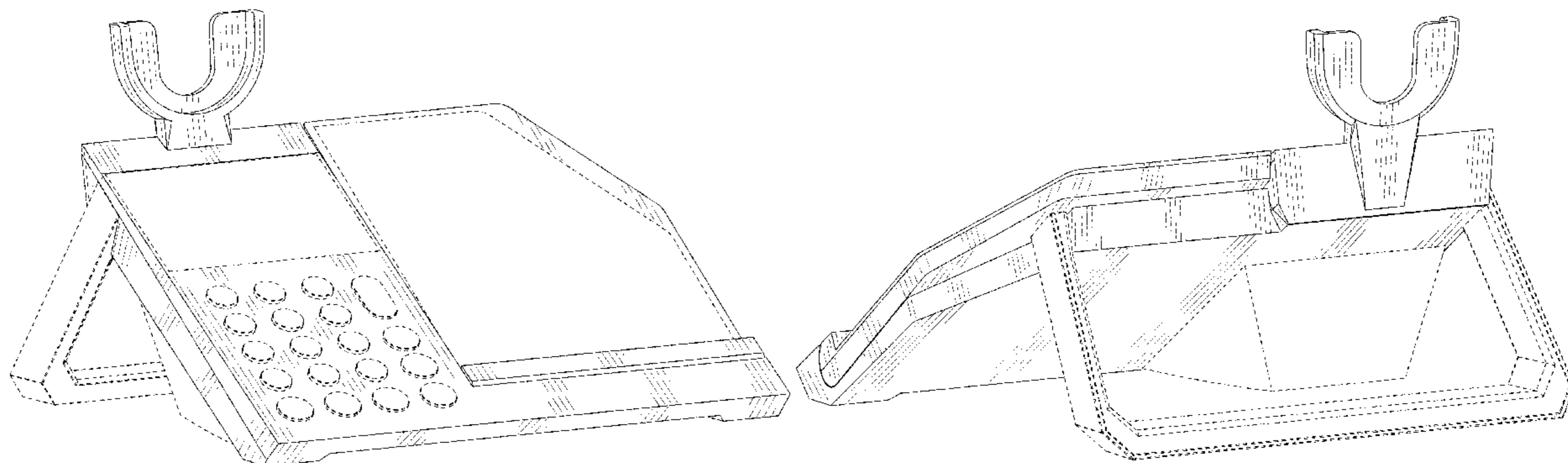
(57) **CLAIM**

The ornamental design for a base unit for a communications device, as shown and described.

DESCRIPTION

FIG. 1 is a front-top-left perspective view of a base unit for a communications device showing my new design; FIG. 2 is a back-bottom-right perspective view thereof; FIG. 3 is a front view thereof; FIG. 4 is a back view thereof; FIG. 5 is a right-side view thereof; FIG. 6 is a left-side view thereof; FIG. 7 is a top view thereof; and, FIG. 8 is a bottom view thereof. The broken lines depict portions of the base unit for a communications device that form no part of the claimed design.

1 Claim, 8 Drawing Sheets



(56)

References Cited

U.S. PATENT DOCUMENTS

D555,630 S *	11/2007	Udagawa	D14/149	D686,184 S *	7/2013	Takahata	D14/151
D556,180 S *	11/2007	Udagawa	D14/149	D714,262 S *	9/2014	Lin	D14/142
D565,020 S *	3/2008	Daly	D14/149	8,838,029 B2 *	9/2014	Goldman	H04M 1/04 455/41.2
D576,998 S *	9/2008	Furuno	D14/151	D723,502 S *	3/2015	Chun	D14/130
D581,897 S *	12/2008	Katori	D14/151	D738,845 S *	9/2015	Kwak	D14/151
D597,057 S *	7/2009	Sheppard	D14/142	D739,373 S *	9/2015	Hillenmayer	D14/144
D597,058 S *	7/2009	Sheppard	D14/142	D748,597 S *	2/2016	Boynton	D14/188
D598,002 S *	8/2009	Sheppard	D14/142	D757,677 S *	5/2016	Hutt	D14/151
D602,008 S *	10/2009	Bentley	D14/205	D765,623 S *	9/2016	Yang	D14/224
D609,662 S *	2/2010	Noreng	D14/130	D767,527 S *	9/2016	Hillenmayer	D14/140.8
D609,686 S *	2/2010	Robinson	D14/149	D772,836 S *	11/2016	Engelke	D14/151
D615,515 S *	5/2010	Hwang	D14/130	9,548,617 B2 *	1/2017	Toh	H04M 1/04
D616,843 S *	6/2010	Jones	D14/130	D784,283 S *	4/2017	Snyder	D14/144
D620,464 S *	7/2010	Quiros	D14/130	D785,591 S *	5/2017	Kwak	D14/151
D624,530 S *	9/2010	Hoggarth	D14/224	9,762,709 B1 *	9/2017	Snyder	H04M 1/02
D629,381 S *	12/2010	Verthein	D14/142	10,455,067 B1 *	10/2019	Meyberg Guzman	G06F 1/1632
D643,825 S *	8/2011	Hwang	D14/130	D874,422 S *	2/2020	Yang	D14/150
D652,816 S *	1/2012	Compoginis	D14/151	10,587,951 B1 *	3/2020	Schaffer	H04R 1/025
D653,646 S *	2/2012	Hovdal	D14/142	2009/0283655 A1 *	11/2009	Fukuda	H04M 1/0297 248/454
D657,773 S *	4/2012	Corsini	D14/151	2009/0309002 A1 *	12/2009	Shimotoso	H04M 1/0297 248/397
D658,627 S *	5/2012	Katori	D14/130	2014/0064477 A1 *	3/2014	Chiang	H04M 1/06 379/436
D663,292 S *	7/2012	Hoggarth	D14/224	2019/0281147 A1 *	9/2019	Sherburne	H04M 1/215
D669,888 S *	10/2012	Gougherty	D14/223				
D675,592 S *	2/2013	Fuxen	D14/151				
D676,016 S *	2/2013	Akatsu	D14/142				
D686,183 S *	7/2013	Basart	D14/151				

* cited by examiner

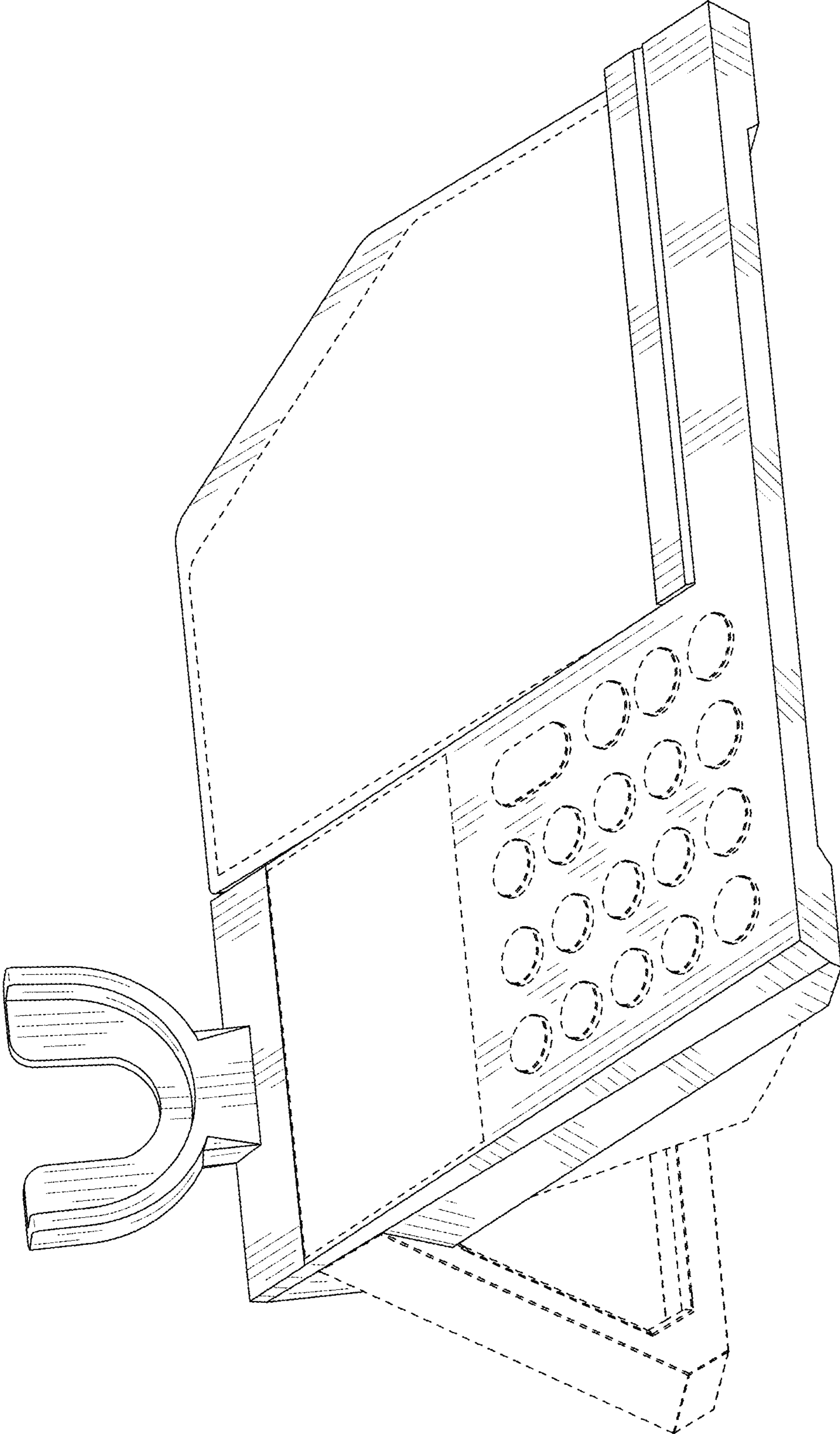


FIG. 1

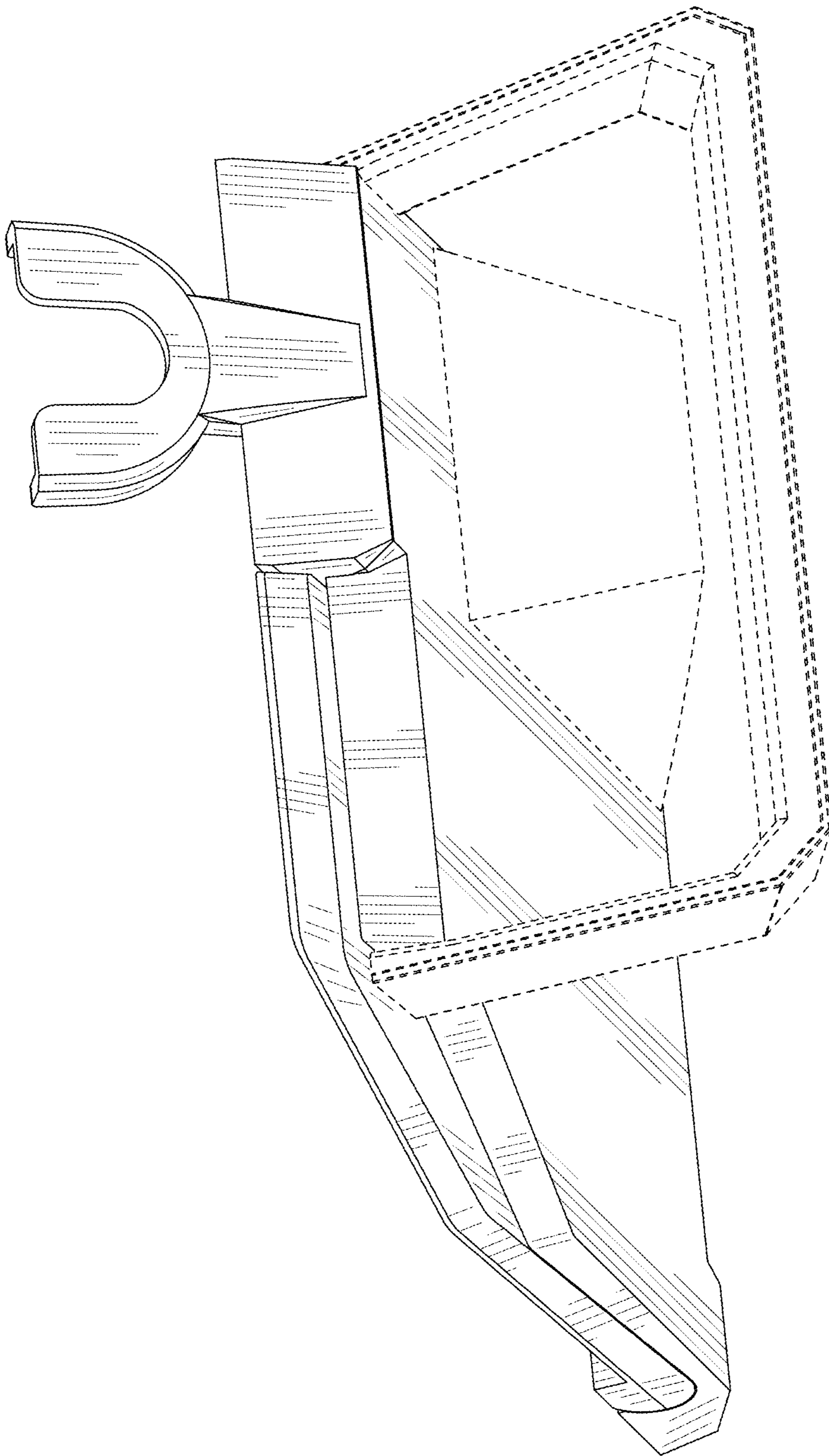


FIG. 2

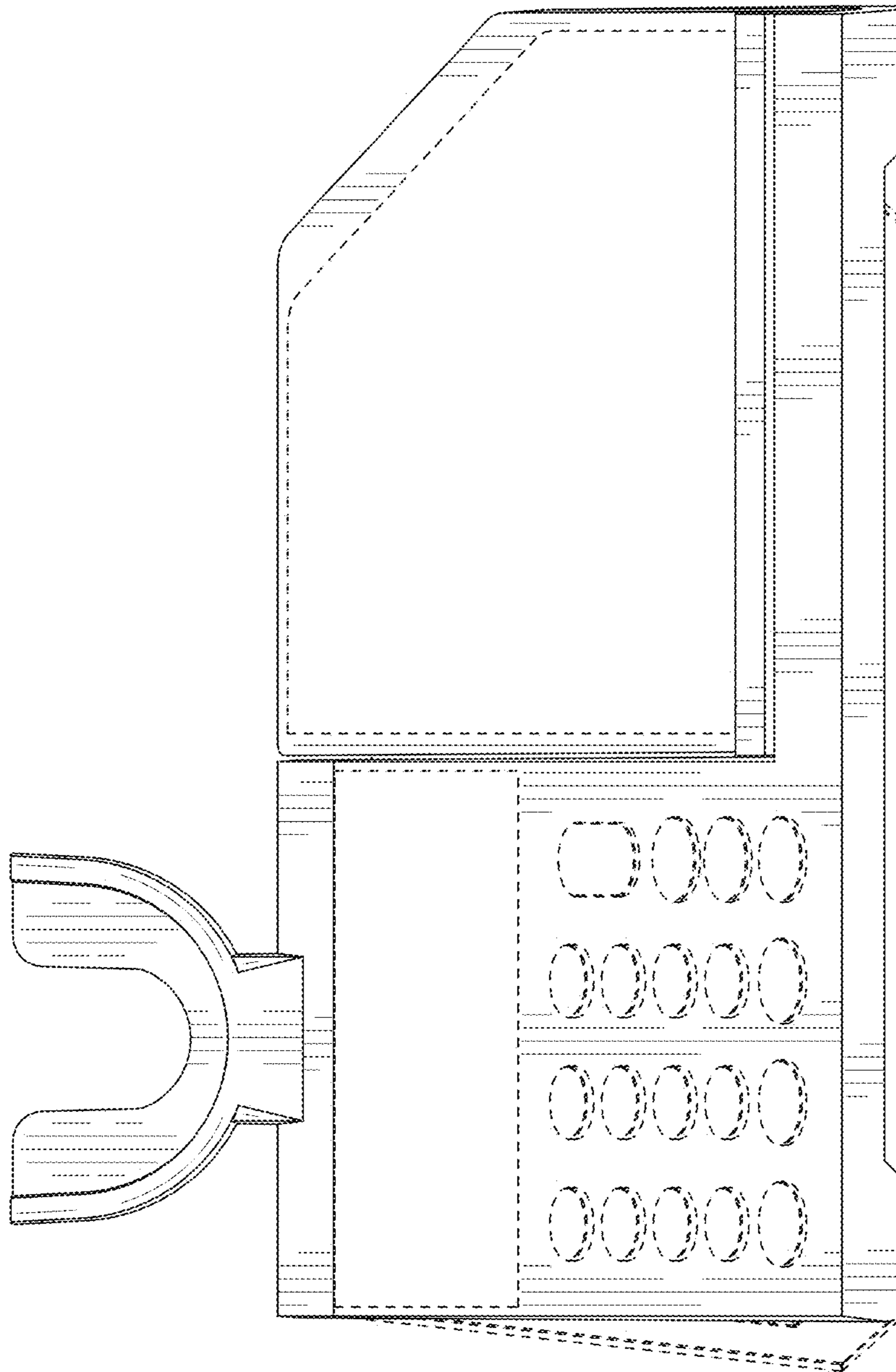


FIG. 3

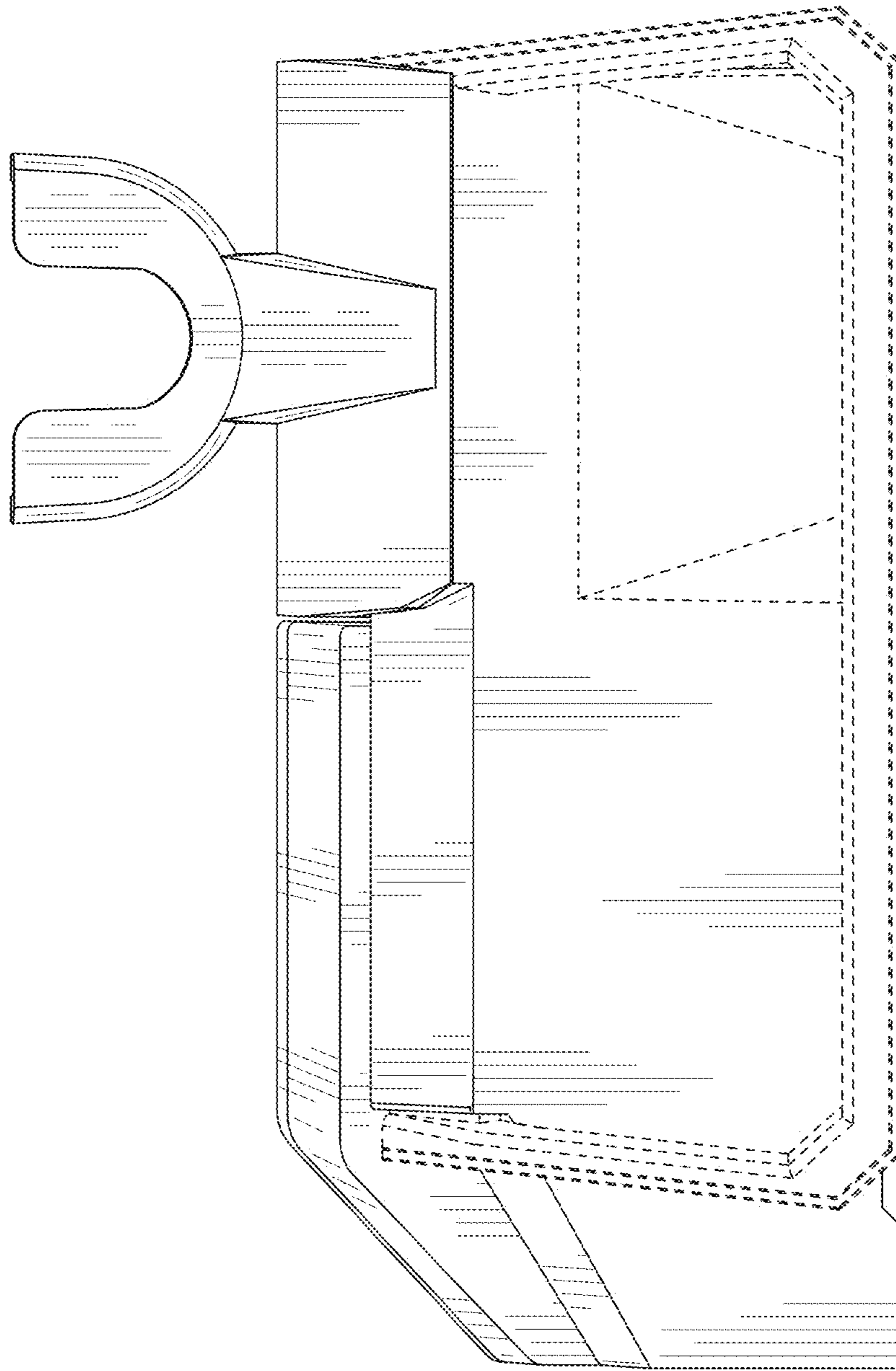


FIG. 4

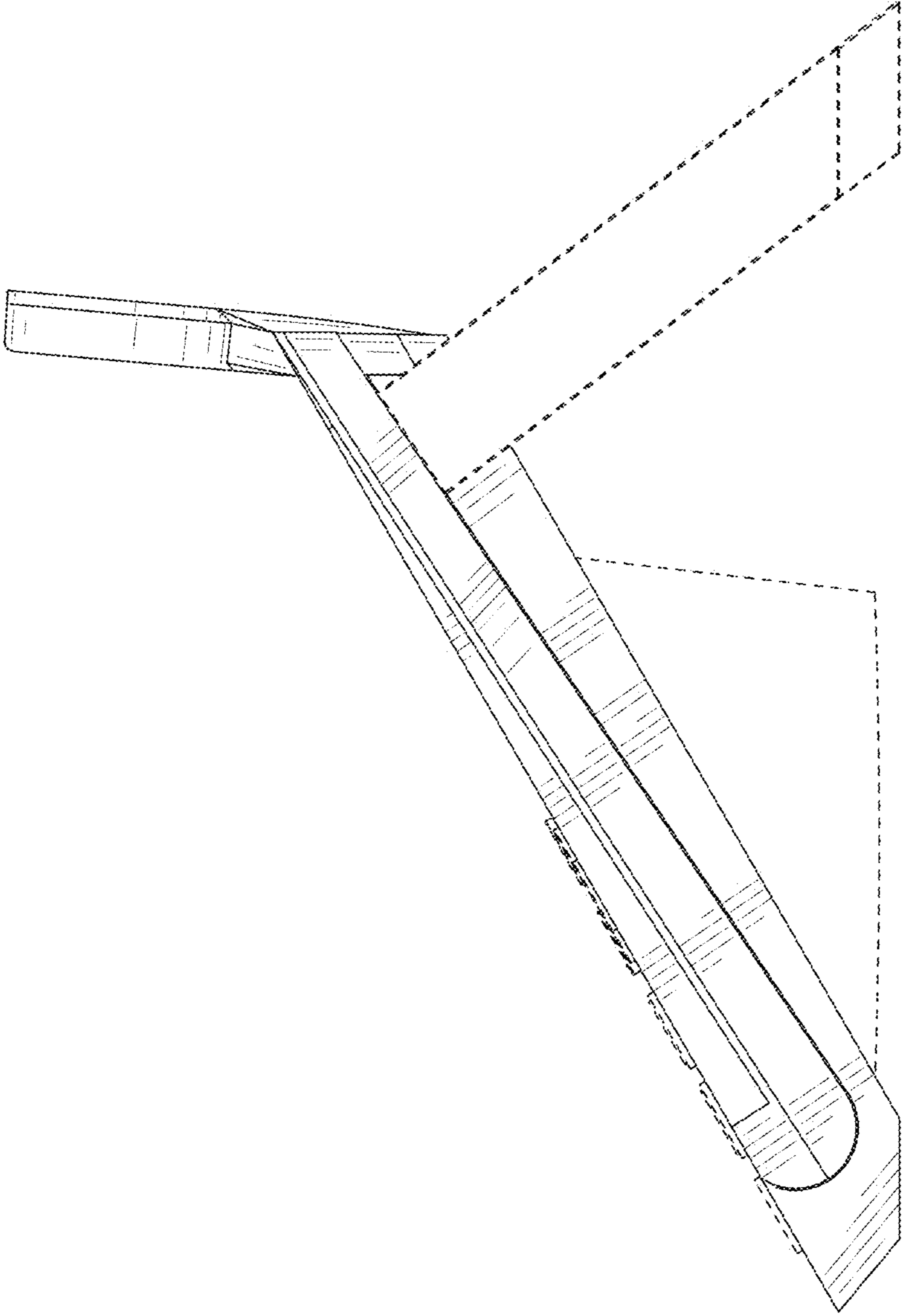


FIG. 5

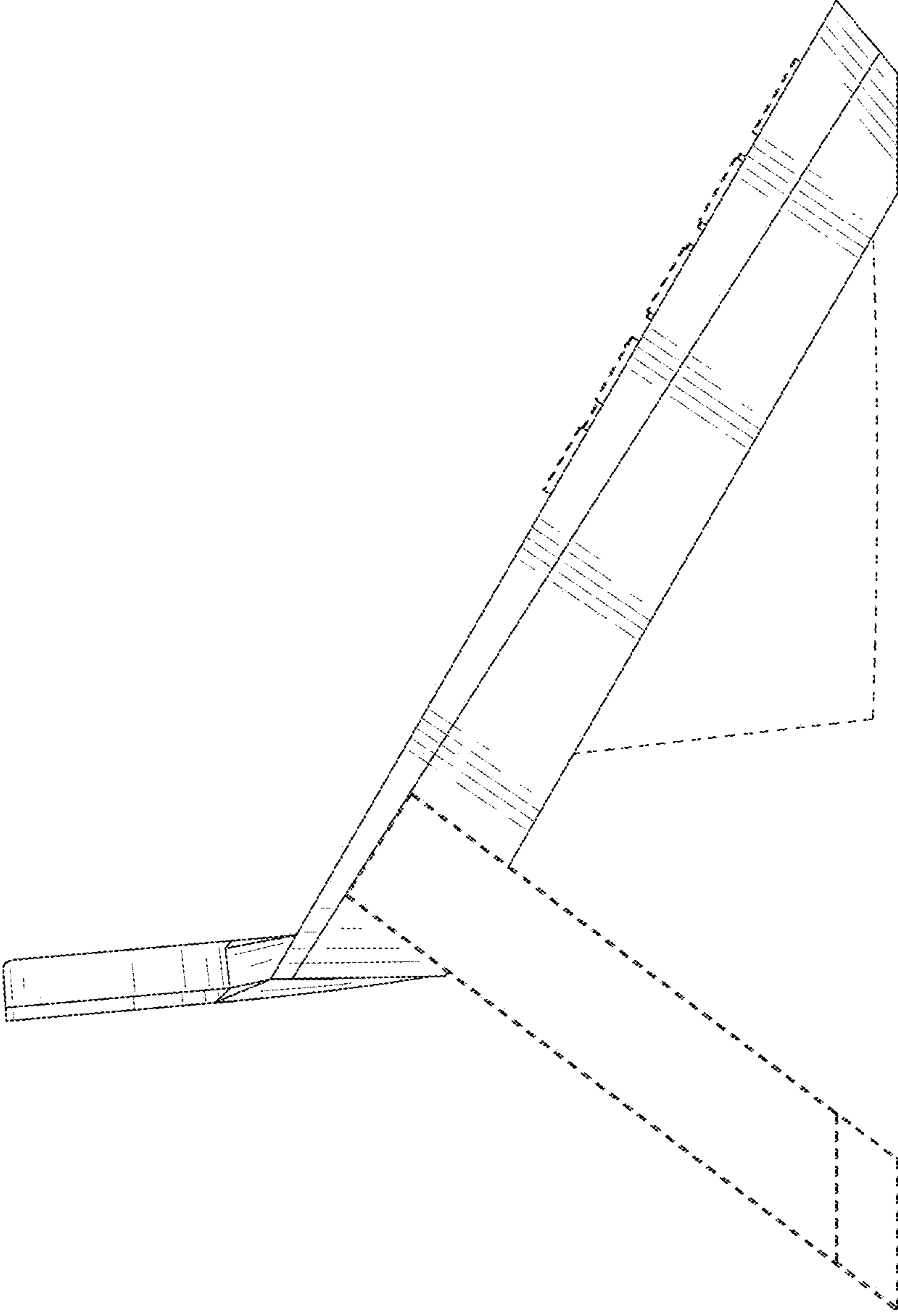


FIG. 6

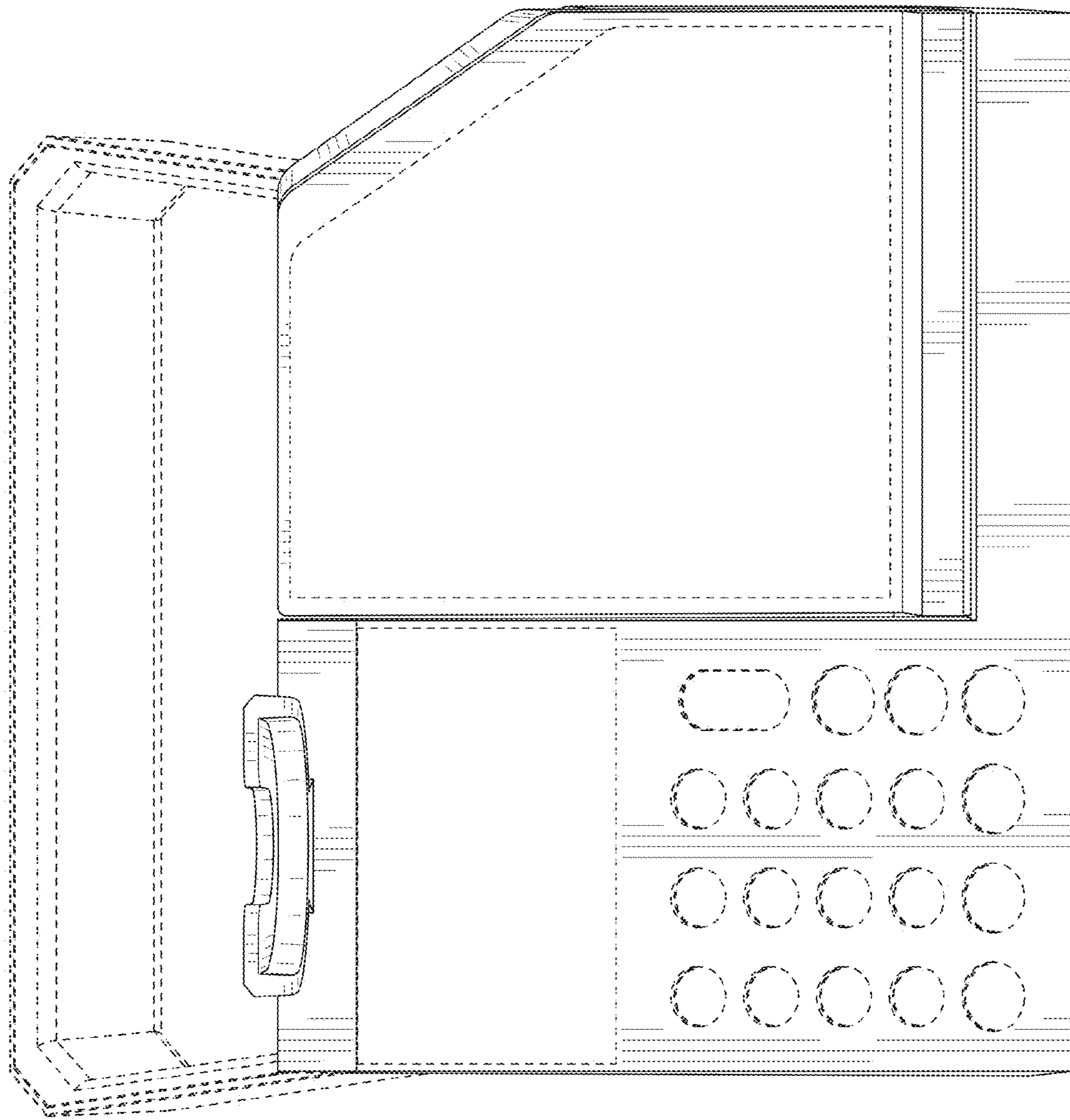


FIG. 7

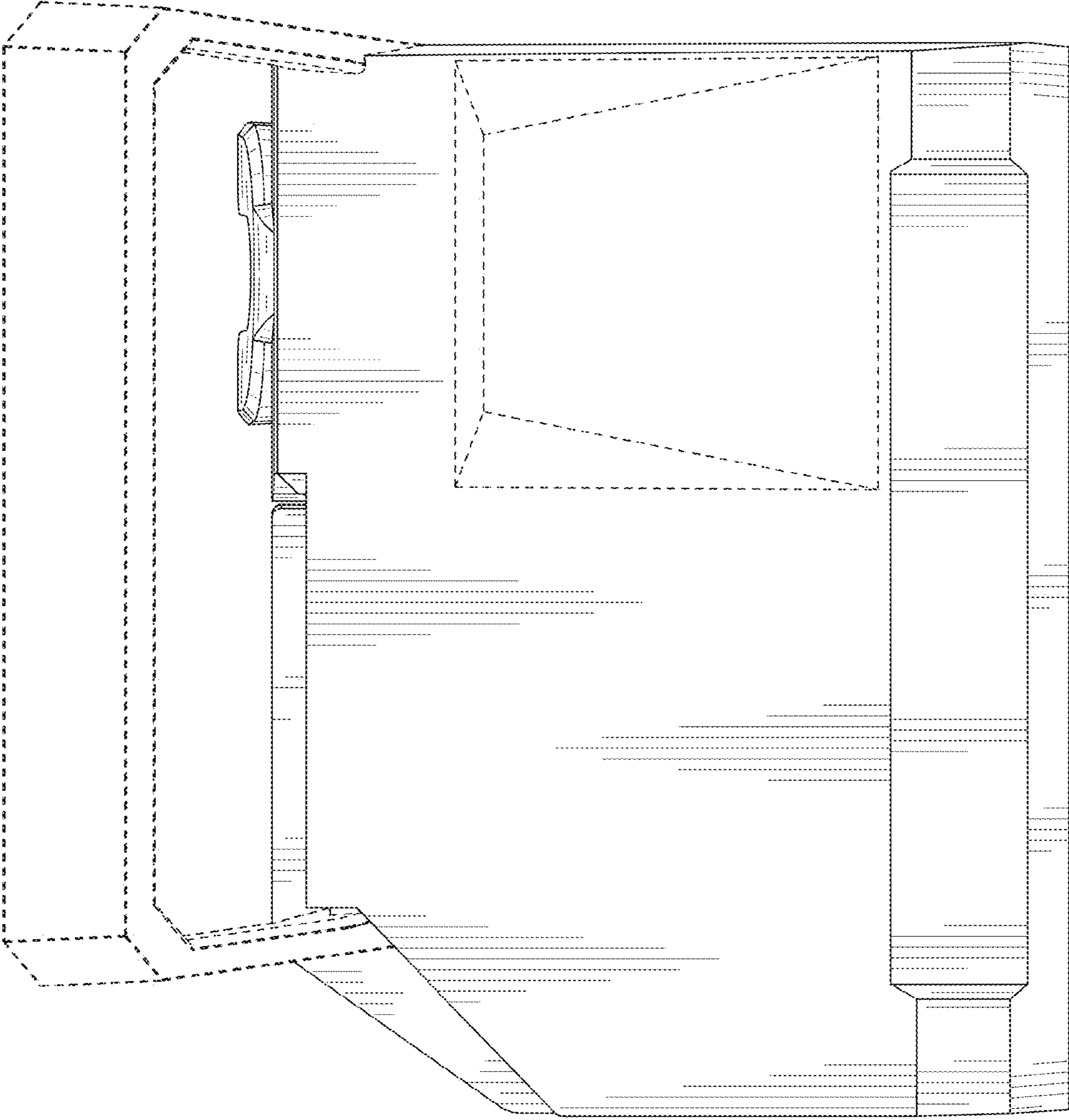


FIG. 8