

US00D899391S

(12) **United States Design Patent** (10) **Patent No.:** **US D899,391 S**
Park et al. (45) **Date of Patent:** **** Oct. 20, 2020**

(54) **TELEVISION**

(71) Applicant: **LG ELECTRONICS INC.**, Seoul (KR)

(72) Inventors: **Misun Park**, Seoul (KR); **Jeongrok Lee**, Seoul (KR); **Taeho Kim**, Seoul (KR); **Yooseok Kim**, Seoul (KR)

(73) Assignee: **LG ELECTRONICS INC.**, Seoul (KR)

(**) Term: **15 Years**

(21) Appl. No.: **35/508,037**

(22) Filed: **May 31, 2019**

(80) **Hague Agreement Data**

Int. Filing Date: **May 31, 2019**

Int. Reg. No.: **DM/204138**

Int. Reg. Date: **May 31, 2019**

Int. Reg. Pub. Date: **Dec. 6, 2019**

(30) **Foreign Application Priority Data**

Dec. 3, 2018 (KR) 30-2018-0056591

(51) **LOC (12) Cl.** **14-03**

(52) **U.S. Cl.**
USPC **D14/126**

(58) **Field of Classification Search**

USPC D14/126, 336, 371, 374, 377
CPC .. H04N 19/176; H04N 21/812; H04N 19/159;
H04N 19/105; H04N 19/124; H04N
19/46; H04N 19/52; H04N 19/593; H04N
21/2668; H04N 19/117; H04N 19/13;
H04N 19/154; H04N 19/513; H04N
19/59; H04N 19/61; H04N 21/235; H04N
21/4126; H04N 21/4307; H04N 21/435;
H04N 21/44204; H04N 21/44222; H04N
21/4622; H04N 21/472; H04N 21/4722;
H04N 21/4788; H04N 21/8133; H04N
21/858; H04N 19/139; H04N 19/172;

H04N 19/174; H04N 19/184; H04N
19/51; H04N 19/597; H04N 19/70; H04N
19/96; H04N 21/2187; H04N 21/23418;
H04N 21/2407; H04N 21/25891; H04N
21/41407; H04N 21/4223; H04N
21/47217; H04N 21/47815; H04N
21/64322; H04N 21/6581; H04N
21/6582; H04N 21/8352; H04N 21/8549;
H04N 21/8586; H04N 13/111; H04N
13/117; H04N 13/128; H04N 13/15;
H04N 13/296; H04N 13/305; H04N
19/102; H04N 19/109; H04N 19/115;
H04N 19/132; H04N 19/136; H04N
19/146; H04N 19/17; H04N 19/177;
H04N 19/436; H04N 19/463; H04N
19/503; H04N 19/53; H04N 19/563;
H04N 19/577; H04N 19/82; H04N 19/91;
H04N

(Continued)

(56) **References Cited**

U.S. PATENT DOCUMENTS

D533,168 S * 12/2006 Inoue D14/239
D545,778 S * 7/2007 Isshiki D14/126

(Continued)

Primary Examiner — Khawaja Anwar

(74) *Attorney, Agent, or Firm* — Birch, Stewart, Kolasch & Birch, LLP

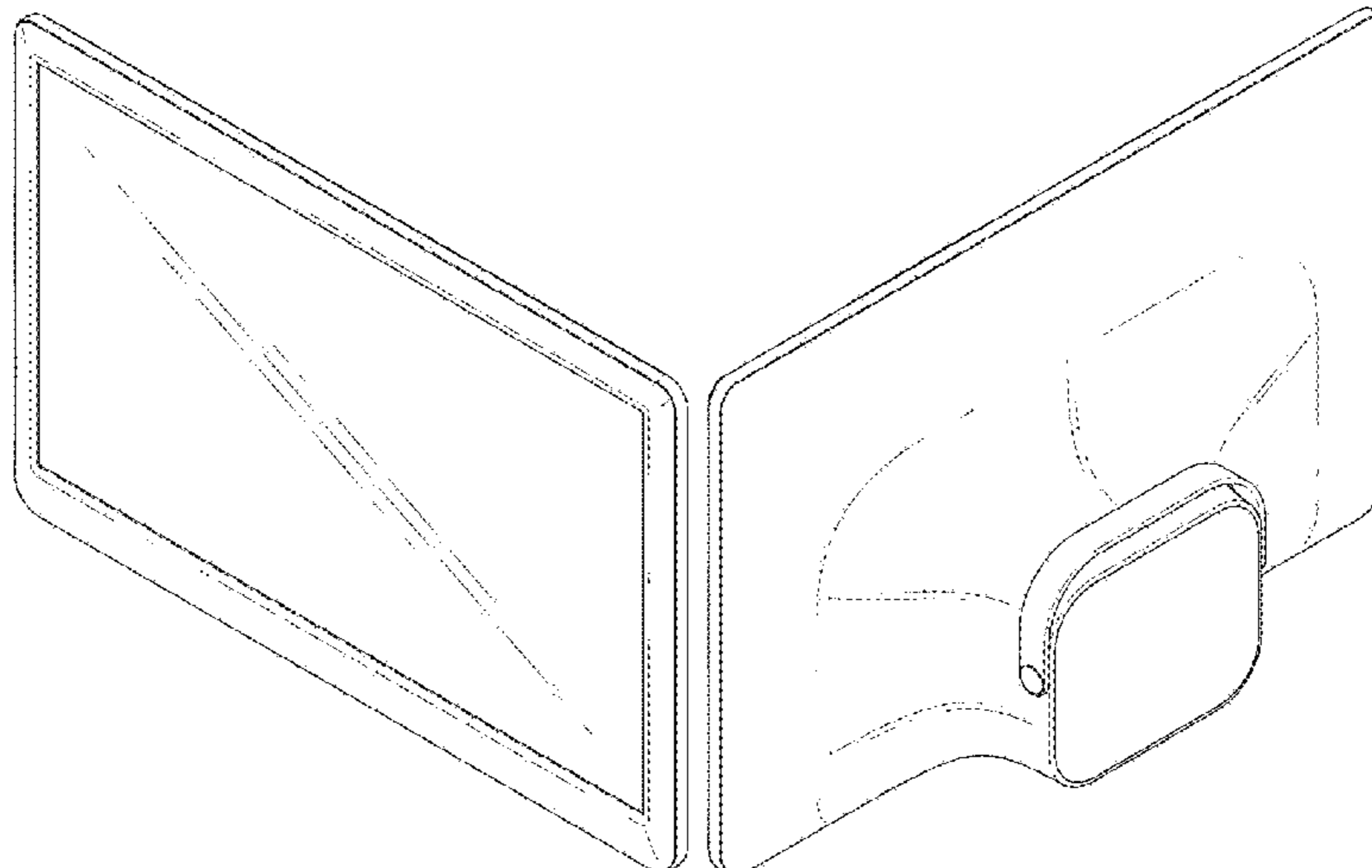
(57) **CLAIM**

The ornamental design for television, as shown and described.

DESCRIPTION

- 1. Television
- 1.1 : Perspective
- 1.2 : Rear perspective view
- 1.3 : Front
- 1.4 : Back
- 1.5 : Left
- 1.6 : Right

(Continued)



1.7 : Top
1.8 : Bottom

1 Claim, 8 Drawing Sheets

(58) Field of Classification Search

CPC 21/222; H04N 21/23103; H04N 21/23106;
H04N 21/1233; H04N 21/2353; H04N
21/236; H04N 21/2362; H04N 21/238;
H04N 21/2387; H04N 21/2393; H04N
21/2402; H04N 21/251; H04N 21/26258;
H04N 21/2743; H04N 21/2747; H04N
21/4147; H04N 21/4316; H04N 21/4334;
H04N 21/437; H04N 21/4383; H04N
21/44016; H04N 21/442; H04N
21/44213; H04N 21/4532; H04N 21/462;
H04N 21/47202; H04N 21/4725; H04N
21/4781; H04N 21/4782; H04N 21/647;
H04N 21/64738; H04N 21/6587; H04N
21/8358; H04N 21/8456; H04N 5/23238;
H04N 5/247; H04N 5/76; H04N 7/17336;
H04N 13/139; H04N 13/144; H04N
13/161; H04N 13/194; H04N 13/221;
H04N 13/229; H04N 13/239; H04N
13/246; H04N 13/261; H04N 13/271;
H04N 13/282; H04N 13/317; H04N
13/324; H04N 13/337; H04N 13/341;
H04N 13/344; H04N 13/366; H04N
13/376; H04N 13/378; H04N 17/002;
H04N 19/00; H04N 19/107; H04N
19/122; H04N 19/129; H04N 19/134;
H04N 19/14; H04N 19/157; H04N
19/167; H04N 19/179; H04N 19/186;
H04N 19/1883; H04N 19/189; H04N
19/192; H04N 19/197; H04N 19/30;
H04N 19/33; H04N 19/433; H04N
19/439; H04N 19/44; H04N 19/50; H04N
19/517; H04N 19/573; H04N 19/60;
H04N 19/615; H04N 19/63; H04N 19/68;
H04N 19/86; H04N 19/90; H04N 19/93;
H04N 2005/441; H04N 2013/0081; H04N
21/20; H04N 21/2146; H04N 21/21805;
H04N 21/2181; H04N 21/23113; H04N
21/23116; H04N 21/23406; H04N
21/23412; H04N 21/23424; H04N
21/23439; H04N 21/2347; H04N
21/23611; H04N 21/2368; H04N 21/237;
H04N 21/2383; H04N 21/2389; H04N
21/2408; H04N 21/242; H04N 21/252;
H04N 21/2542; H04N 21/2543; H04N
21/258; H04N 21/25875; H04N
21/25883; H04N 21/262; H04N
21/26216; H04N 21/26291; H04N
21/266; H04N 21/26603; H04N 21/27;
H04N 21/278; H04N 21/4131; H04N
21/41422; H04N 21/422; H04N
21/42203; H04N 21/42204; H04N
21/42209; H04N 21/4222; H04N

21/42222; H04N 21/42224; H04N
21/4227; H04N 21/4302; H04N 21/431;
H04N 21/4312; H04N 21/4314; H04N
21/433; H04N 21/4333; H04N 21/4335;
H04N 21/4345; H04N 21/436; H04N
21/43615; H04N 21/439; H04N 21/44;
H04N 21/44004; H04N 21/44008; H04N
21/4415; H04N 21/44209; H04N
21/44218; H04N 21/44231; H04N
21/4424; H04N 21/443; H04N 21/4431;
H04N 21/4524; H04N 21/4621; H04N
21/4661; H04N 21/4667; H04N 21/475;
H04N 21/4755; H04N 21/4758; H04N
21/478; H04N 21/4784; H04N 21/4821;
H04N 21/4825; H04N 21/61; H04N
21/6106; H04N 21/6118; H04N 21/6125;
H04N 21/6131; H04N 21/6143; H04N
21/6168; H04N 21/6193; H04N 21/637;
H04N 21/643; H04N 21/6437; H04N
21/64707; H04N 21/64723; H04N
21/8113; H04N 21/8146; H04N 21/816;
H04N 21/8173; H04N 21/84; H04N
21/8543; H04N 21/8545; H04N
2213/008; H04N 5/23219; H04N
5/23923; H04N 5/2624; H04N 5/2628;
H04N 5/265; H04N 5/44504; H04N
5/44543; H04N 5/44591; H04N 5/9202;
H04N 7/08; H04N 7/147; H04N 7/148;
H04N 7/152; H04N 7/173; H04N 7/186

See application file for complete search history.

(56)

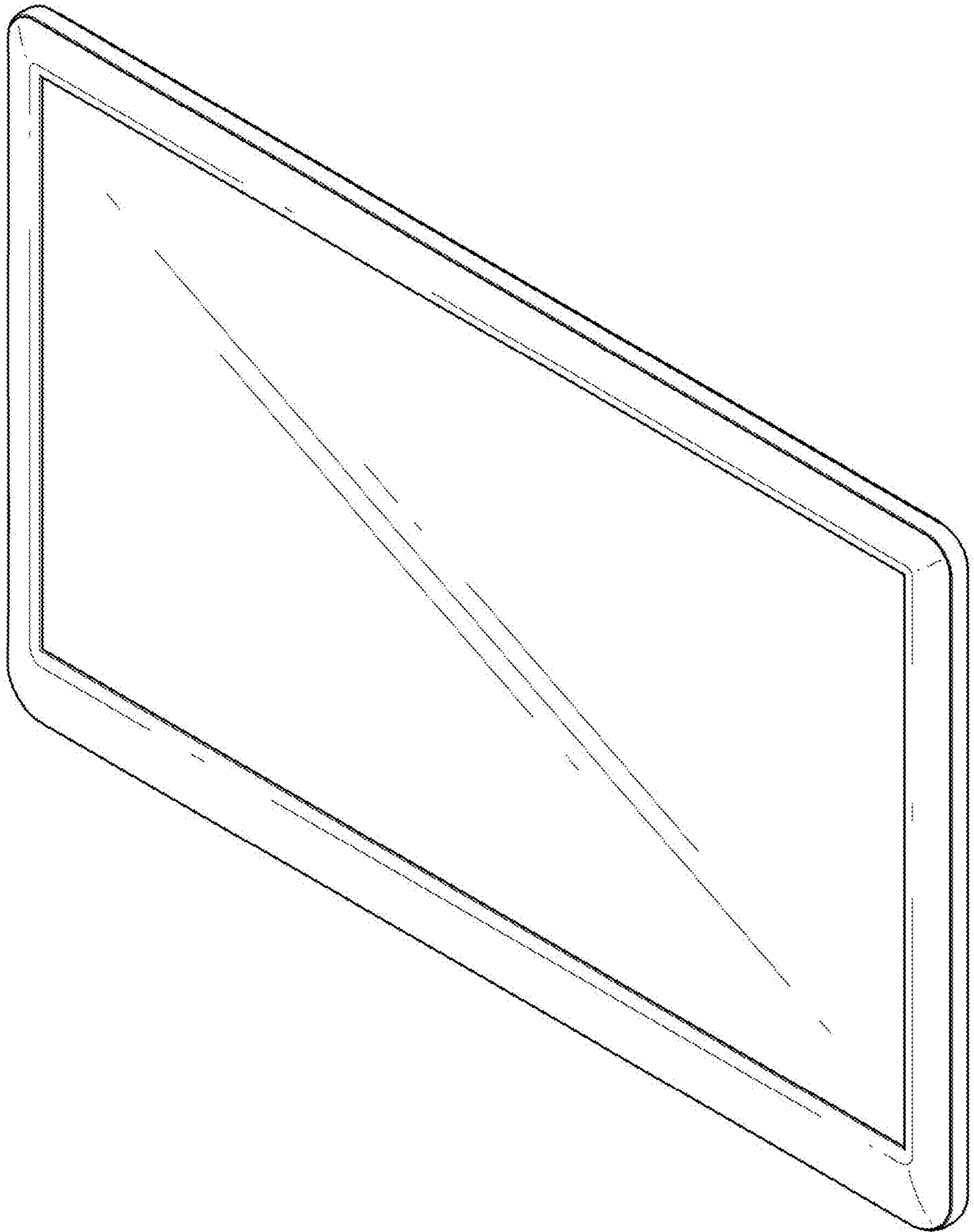
References Cited

U.S. PATENT DOCUMENTS

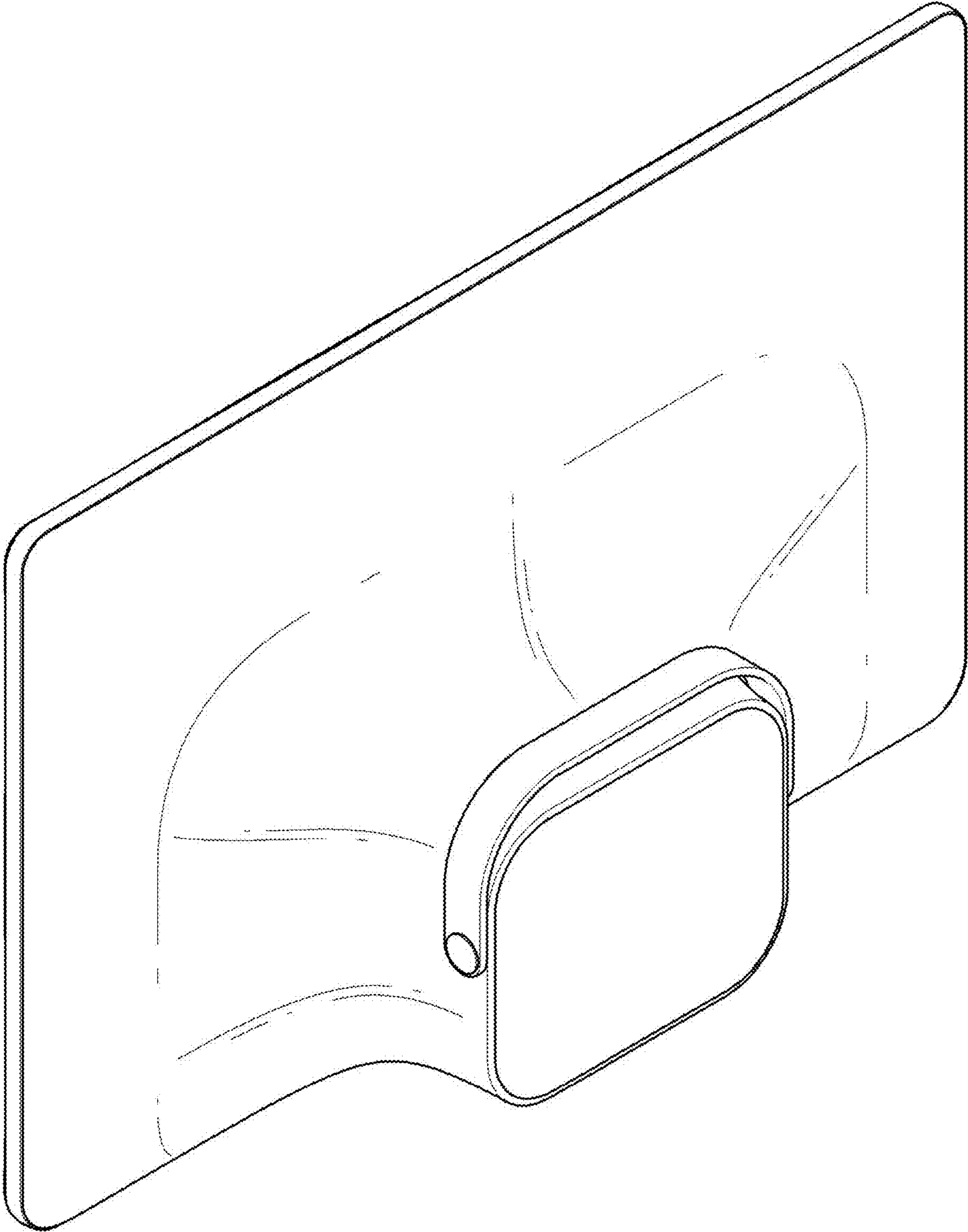
D548,228	S	*	8/2007	Tanigawa	D14/239
D548,229	S	*	8/2007	Tanigawa	D14/239
D562,788	S	*	2/2008	Asanuma	D14/126
D562,811	S	*	2/2008	Asanuma	D14/239
D566,669	S	*	4/2008	Ooshima	D14/126
D570,312	S	*	6/2008	Kita	D14/126
D619,135	S	*	7/2010	Lin	D14/374
D715,277	S	*	10/2014	Kim	D14/239
D728,537	S	*	5/2015	Choi	D14/239
D731,995	S	*	6/2015	Kamp	D14/126
D737,231	S	*	8/2015	Choi	D14/126
D737,257	S	*	8/2015	Park	D14/239
D768,119	S	*	10/2016	Kim	D14/239
D786,868	S	*	5/2017	Kim	D14/374
D788,782	S	*	6/2017	Lim	D14/451
D796,465	S	*	9/2017	Kim	D14/126
D805,504	S	*	12/2017	Seo	D14/239
D817,290	S	*	5/2018	Lee	D14/126
D828,837	S	*	9/2018	Kim	D14/374
D830,985	S	*	10/2018	Cha	D14/126
D835,084	S	*	12/2018	Cha	D14/239
D835,613	S	*	12/2018	Cha	D14/239
D849,729	S	*	5/2019	Kim	D14/239
D860,961	S	*	9/2019	Kim	D14/126
D860,962	S	*	9/2019	Lee	D14/126
D888,680	S	*	6/2020	Kim	D14/126
D888,681	S	*	6/2020	Kim	D14/126

* cited by examiner

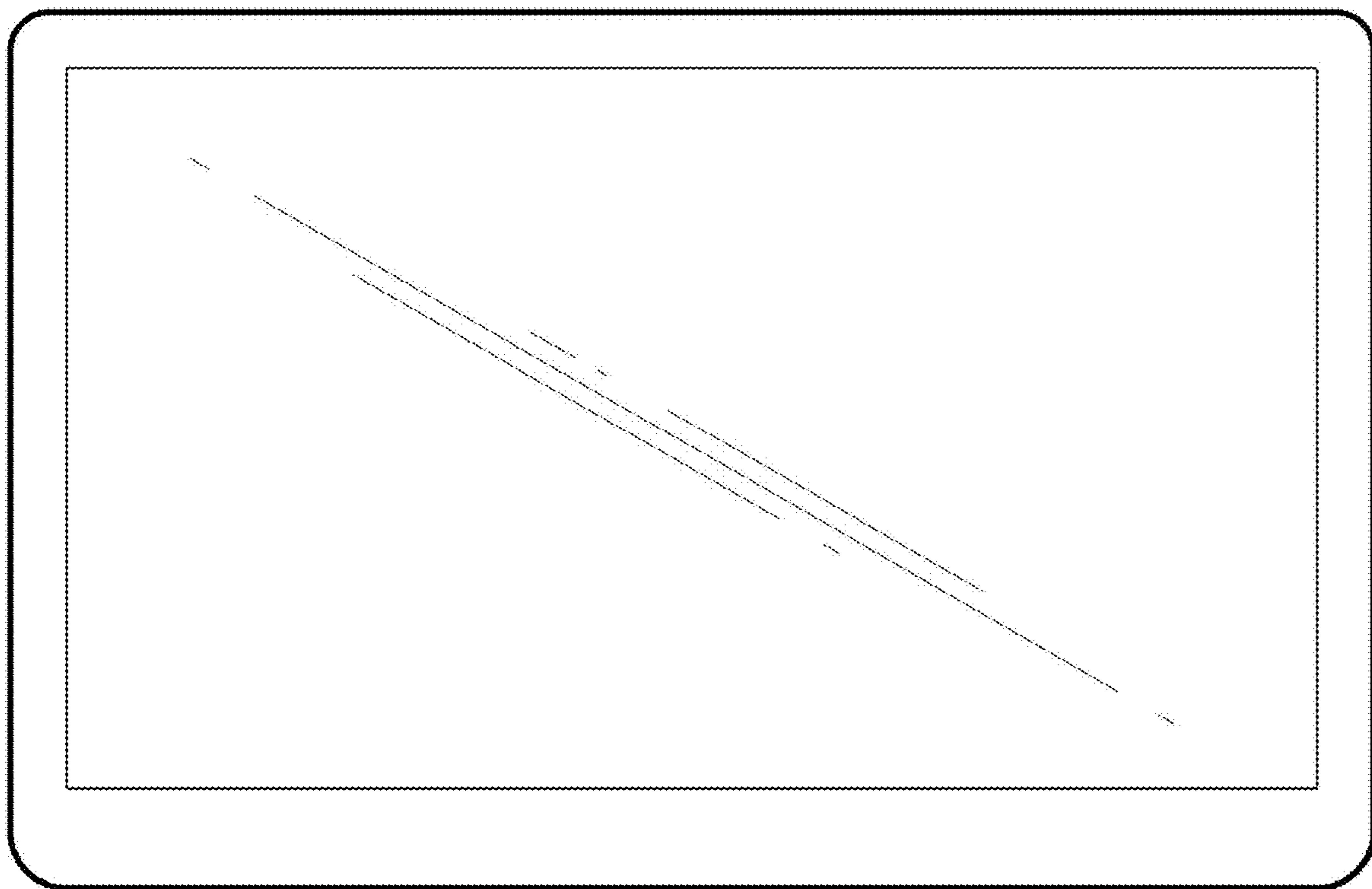
1.1



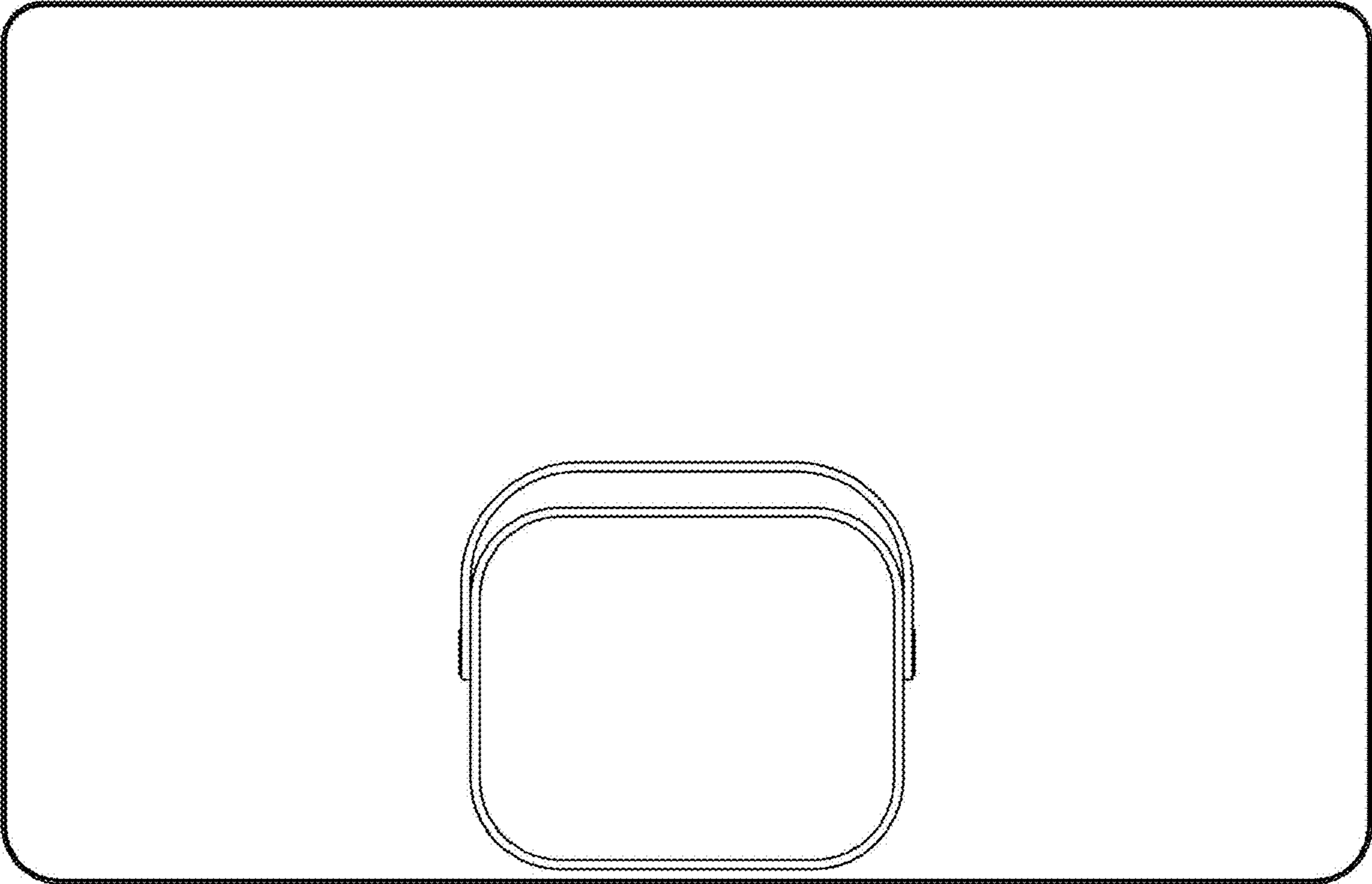
1.2



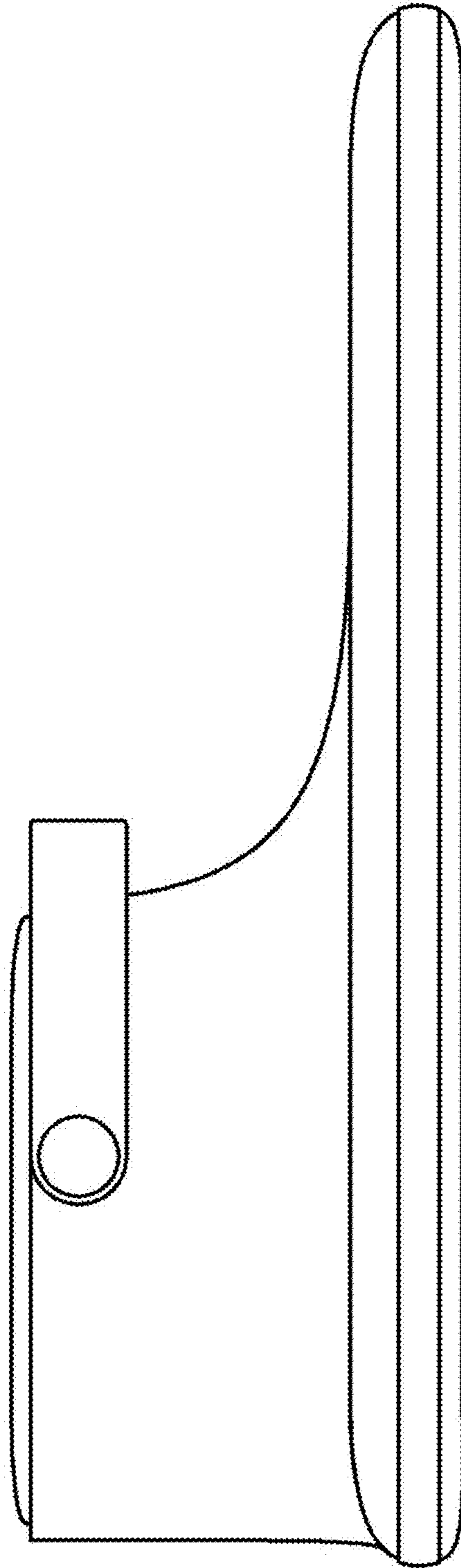
1.3



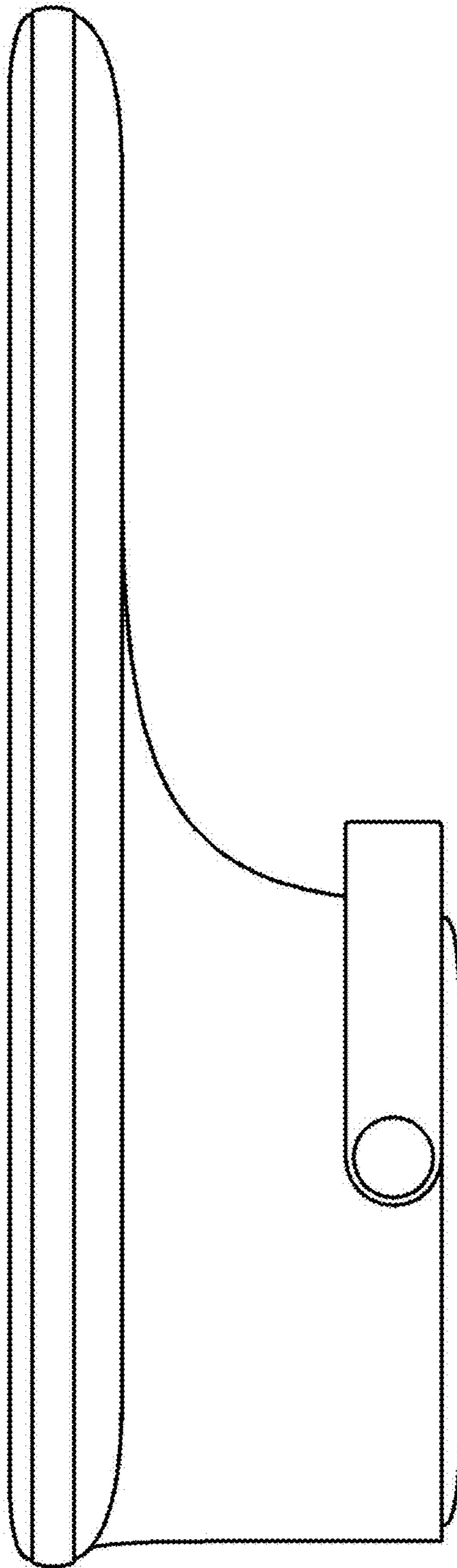
1.4



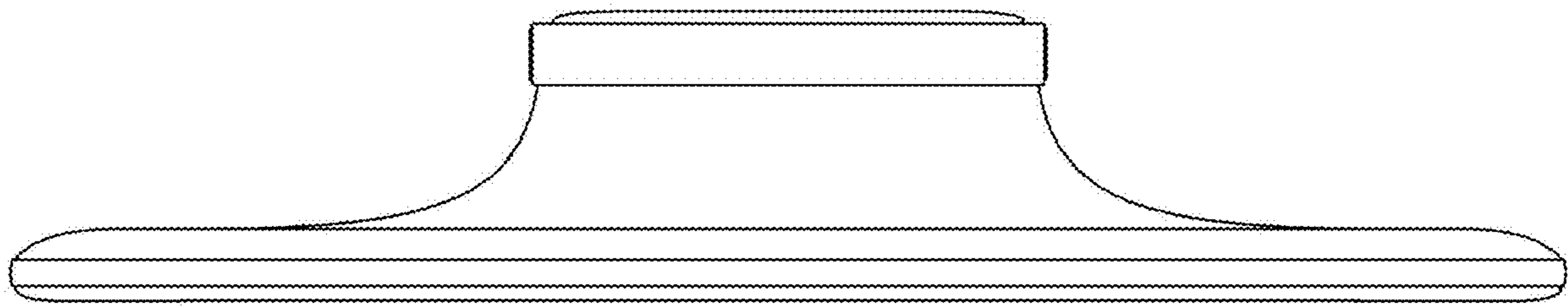
1.5



1.6



1.7



1.8

