



US00D899386S

(12) **United States Design Patent** (10) **Patent No.:** **US D899,386 S**
Lee et al. (45) **Date of Patent:** **** Oct. 20, 2020**

(54) **TELEVISION RECEIVER**

FOREIGN PATENT DOCUMENTS

(71) Applicant: **SAMSUNG ELECTRONICS CO., LTD.**, Suwon-si, Gyeonggi-do (KR)

CN 201930078487.9 * 10/2019
KR 300672767 S 12/2012

(Continued)

(72) Inventors: **Seungho Lee**, Guri-si (KR); **Eunah Kim**, Seoul (KR); **Jaewook Yoo**, Seoul (KR); **Jangho Kim**, Seoul (KR)

OTHER PUBLICATIONS

Samsung GQ55Q70TGTXZG TV, (c) 2020 [online], [retrieved Jun. 26, 2020], Retrieved from internet, URL: <https://www.amazon.co.uk/Samsung-GQ55Q70TGTXZG-139-7-Ultra-pixels/dp/B085L6SWSG/ref=sr_1_72?crid=22STDO6ULL1T1&dchild=1&keywor%E2%80%A6> (Year: 2020).*

(Continued)

(**) Term: **15 Years**

Primary Examiner — Barbara Fox
Assistant Examiner — Aram Kwon

(21) Appl. No.: **29/681,650**

(74) *Attorney, Agent, or Firm* — Cantor Colburn LLP

(22) Filed: **Feb. 27, 2019**

(57) **CLAIM**

(30) **Foreign Application Priority Data**

The ornamental design for a television receiver, as shown and described.

Aug. 29, 2018 (KR) 30-2018-0040329

DESCRIPTION

(51) **LOC (12) Cl.** **14-03**

FIG. 1 is a front perspective view of a television receiver, showing our new design;

(52) **U.S. Cl.**

USPC **D14/126**; D14/239

FIG. 2 is a front view thereof;

(58) **Field of Classification Search**

USPC D14/239, 238, 229, 224, 126

FIG. 3 is a rear view thereof;

CPC G06F 1/1605; H04N 5/64; H04N 7/142;

FIG. 4 is a left-side view thereof;

H04N 7/18

FIG. 5 is a right-side view thereof;

See application file for complete search history.

FIG. 6 is a top view thereof;

FIG. 7 is a bottom view thereof;

(56) **References Cited**

U.S. PATENT DOCUMENTS

D663,608 S * 7/2012 Ruperto D8/354

FIG. 8 is a rear perspective view thereof;

D680,981 S * 4/2013 Kim D14/126

FIG. 9 is an enlarged view of the encircled portion in FIG. 6; and,

D700,586 S * 3/2014 Kim D14/126

FIG. 10 is an enlarged view of the encircled portion in FIG. 7.

D742,378 S * 11/2015 Jung D14/374

The dash-dash broken lines depict portions of the television receiver that form no part of the claimed design. The dot-dot-dash broken lines encircling enlargement portions of the claimed design form no part of the claimed design.

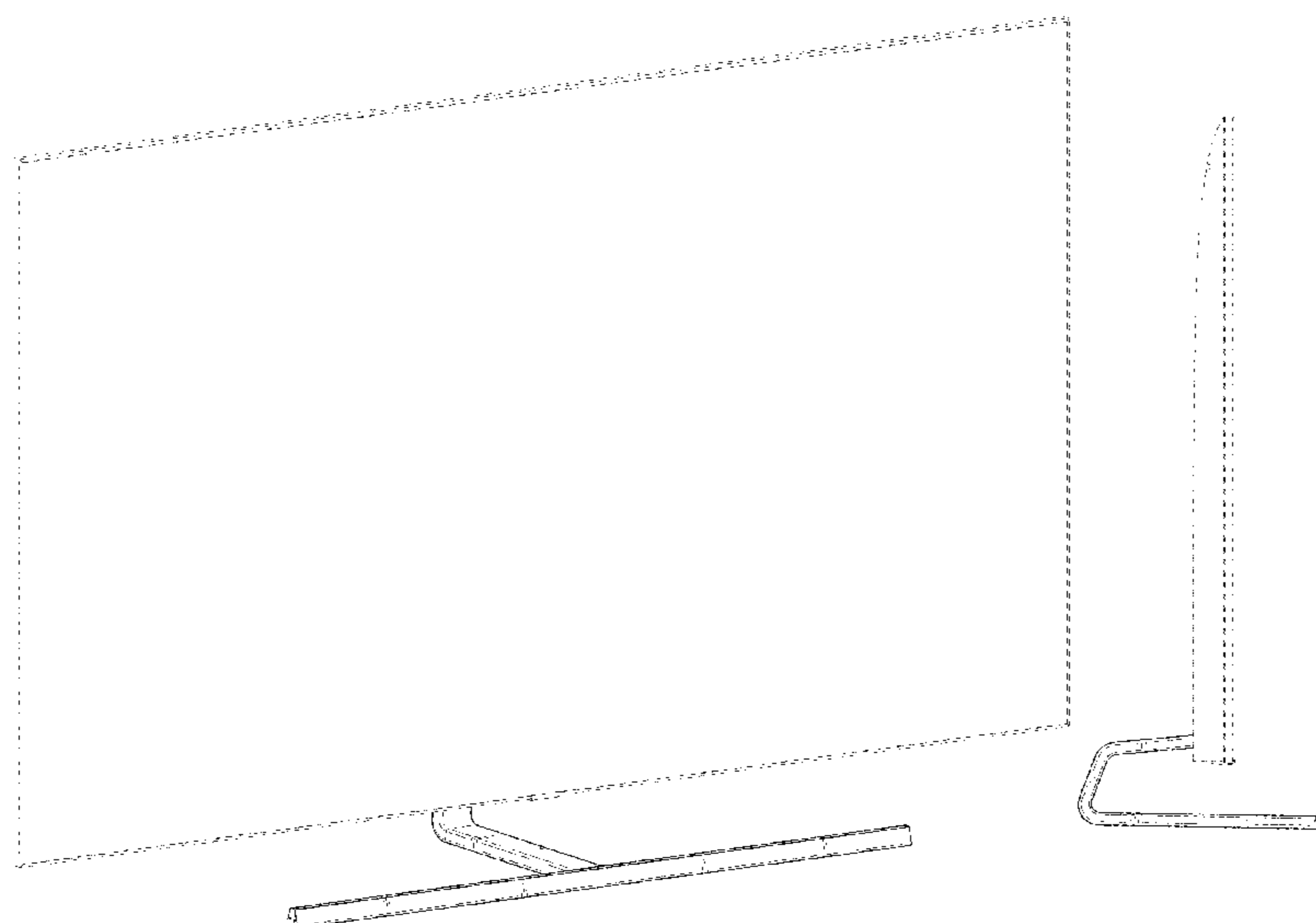
D747,299 S * 1/2016 Kim D14/239

D800,101 S * 10/2017 Park D14/239

D817,938 S * 5/2018 Cho D14/239

(Continued)

1 Claim, 8 Drawing Sheets



(56)

References Cited

U.S. PATENT DOCUMENTS

D819,583 S * 6/2018 Lee D14/126
D819,614 S * 6/2018 Lee D14/239
D862,429 S * 10/2019 Lee D14/239
D863,240 S * 10/2019 Lee D14/126
D866,295 S * 11/2019 Lee D8/354
2013/0286200 A1 * 10/2013 Kawasaki H04N 7/18
348/143

FOREIGN PATENT DOCUMENTS

KR 300729211 S 2/2014
KR 300729213 S 2/2014
KR 3020180040329 * 6/2019
KR 3020180058879 * 10/2019
WO WOD201979-001 * 10/2019

OTHER PUBLICATIONS

Samsung QE55Q85R TV (Renewed), (c) 2020 [online], [retrieved Jun. 26, 2020], Retrieved from internet, URL: <https://www.amazon.co.uk/Samsung-QE55Q85R-TV-Renewed/dp/B0855YBVGD/ref=sr_1_28?crid=22STDO6ULL1TI&dchild=1&keywords=samsung%E2%80%A6> (Year: 2020).*

Bodnara. Udea Look 320 ADS [online]. p. 1 [retrieved on Feb. 26, 2019]. Retrieved from the Internet: <URL: <https://www.bodnara.co.kr/bbs/article.html?num=130890>.>

* cited by examiner

FIG. 1

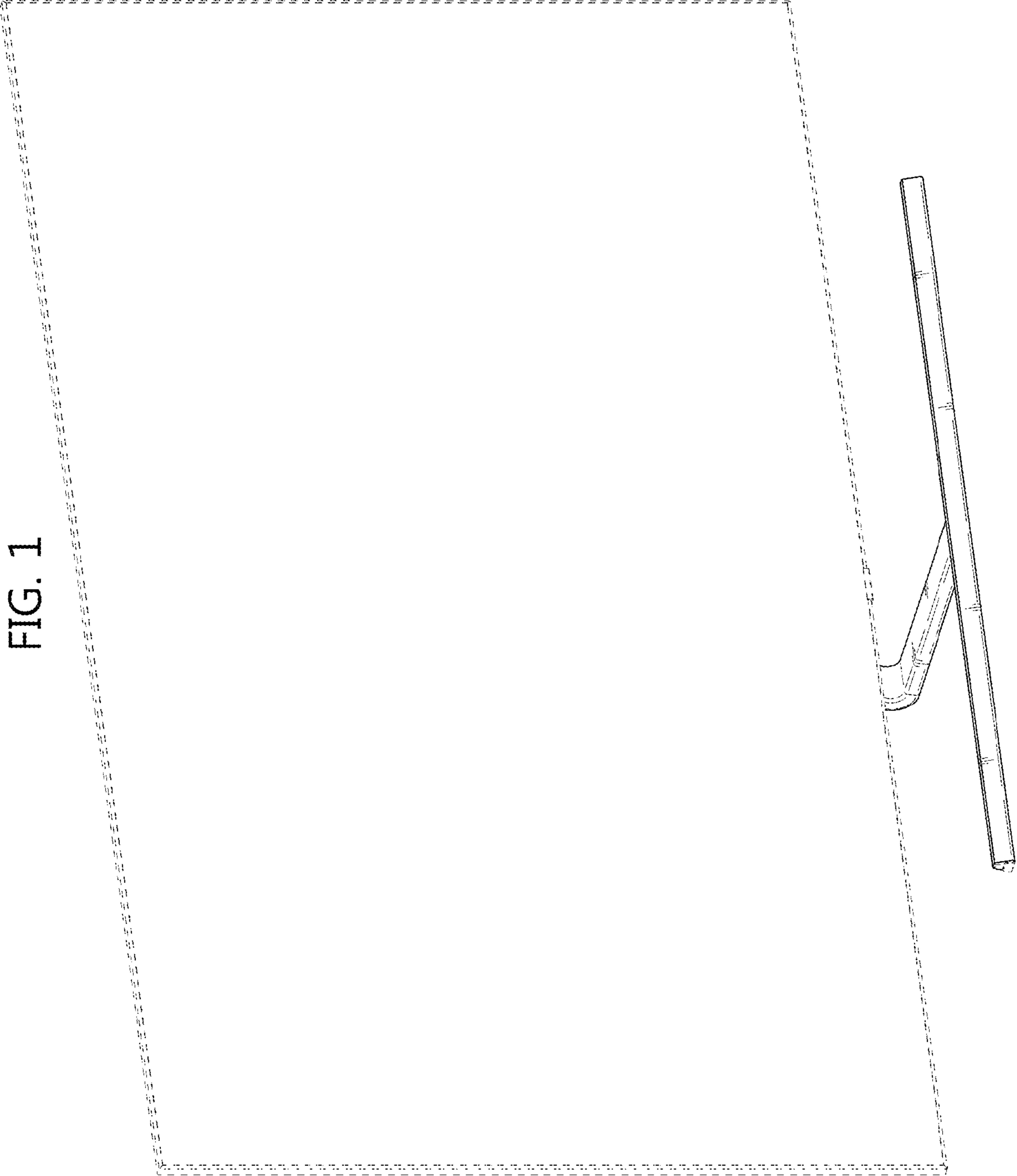


FIG. 2

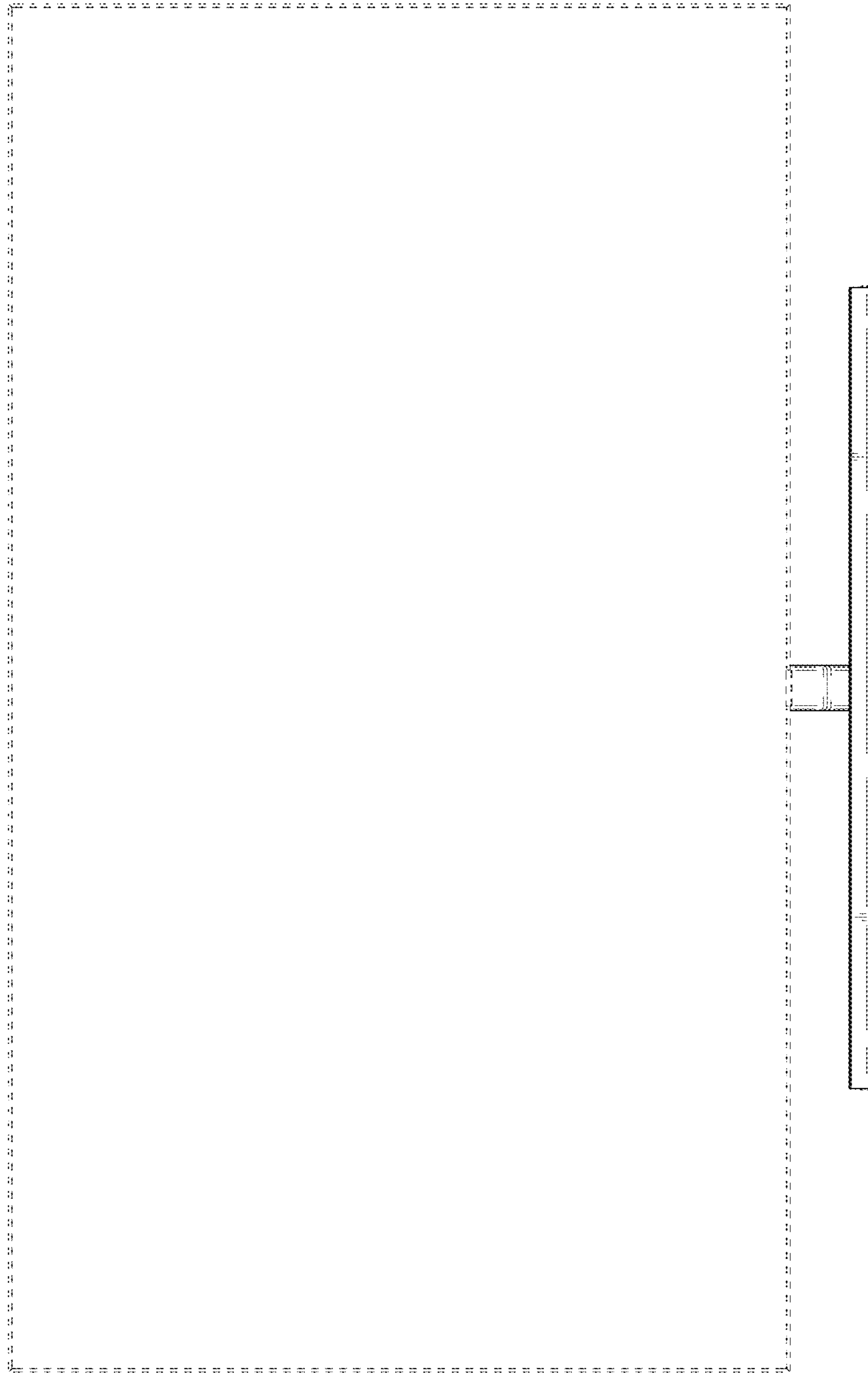


FIG. 3

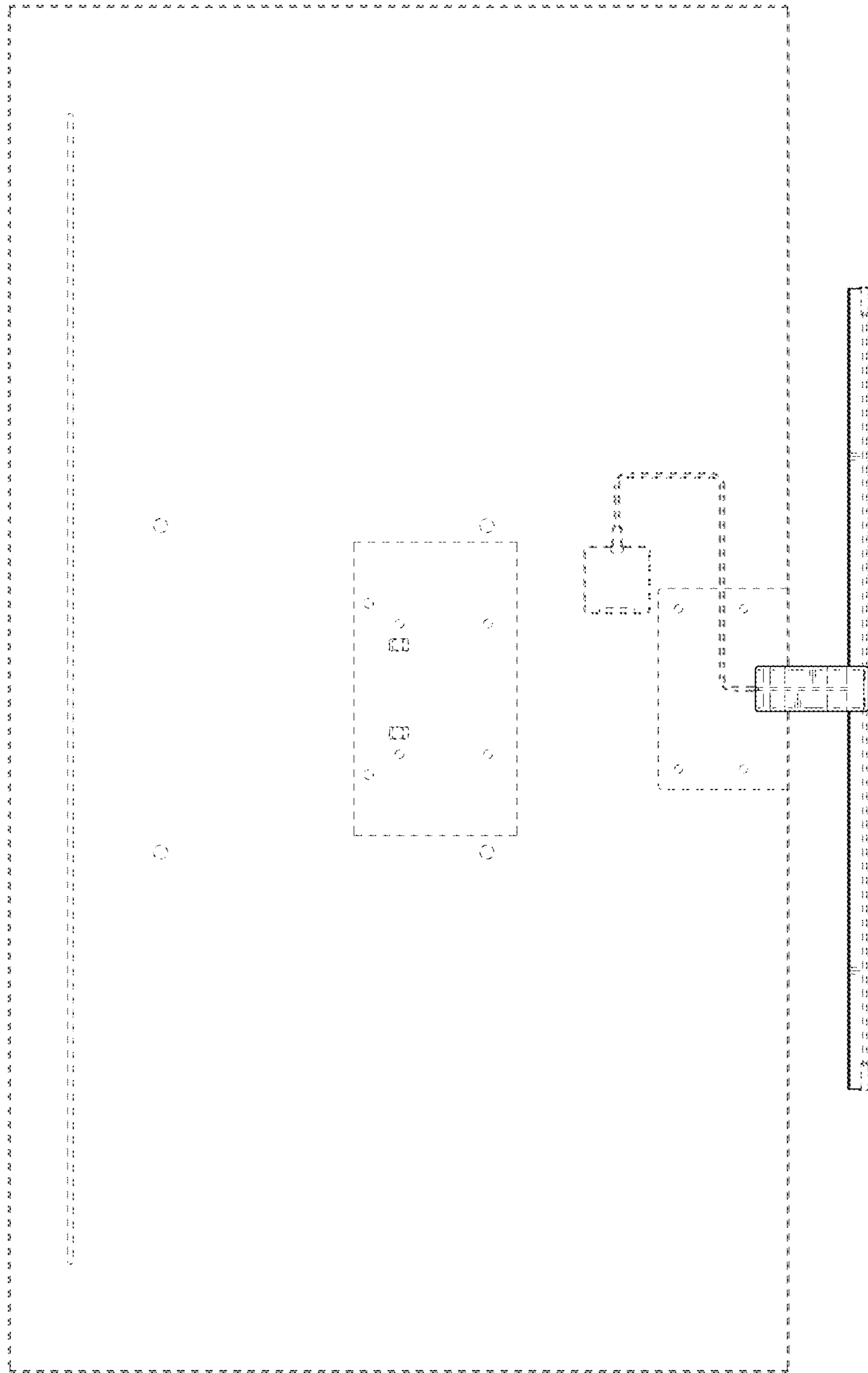


FIG. 5

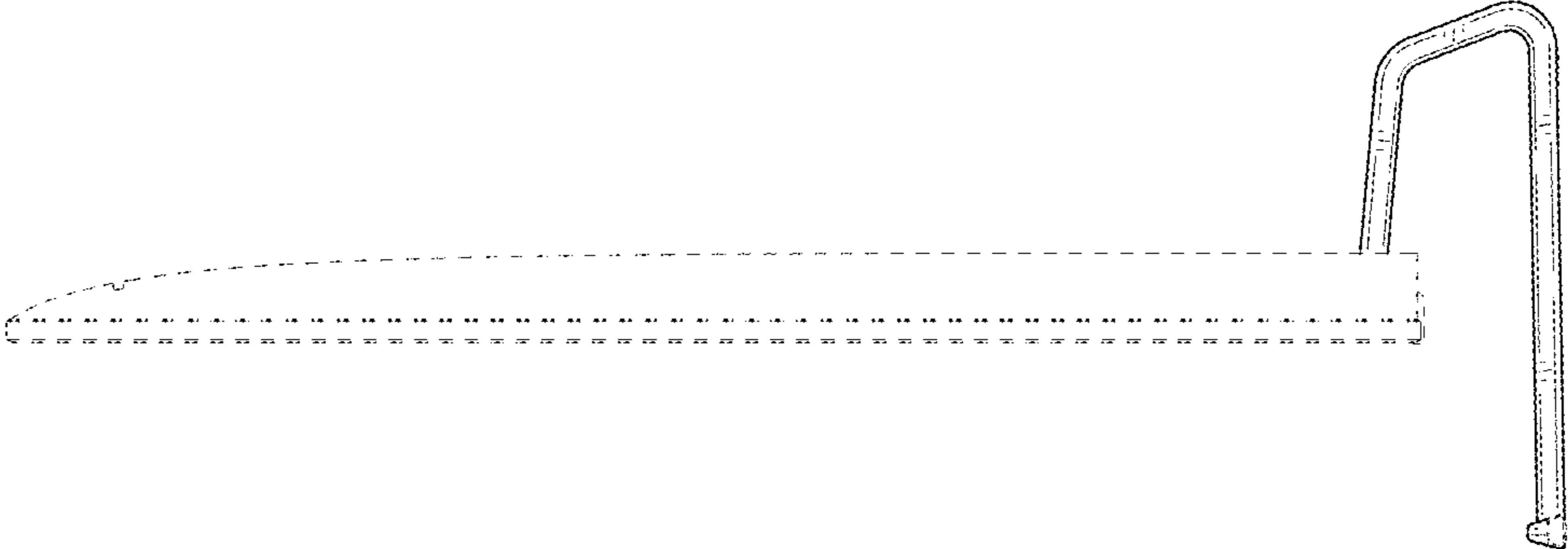


FIG. 4

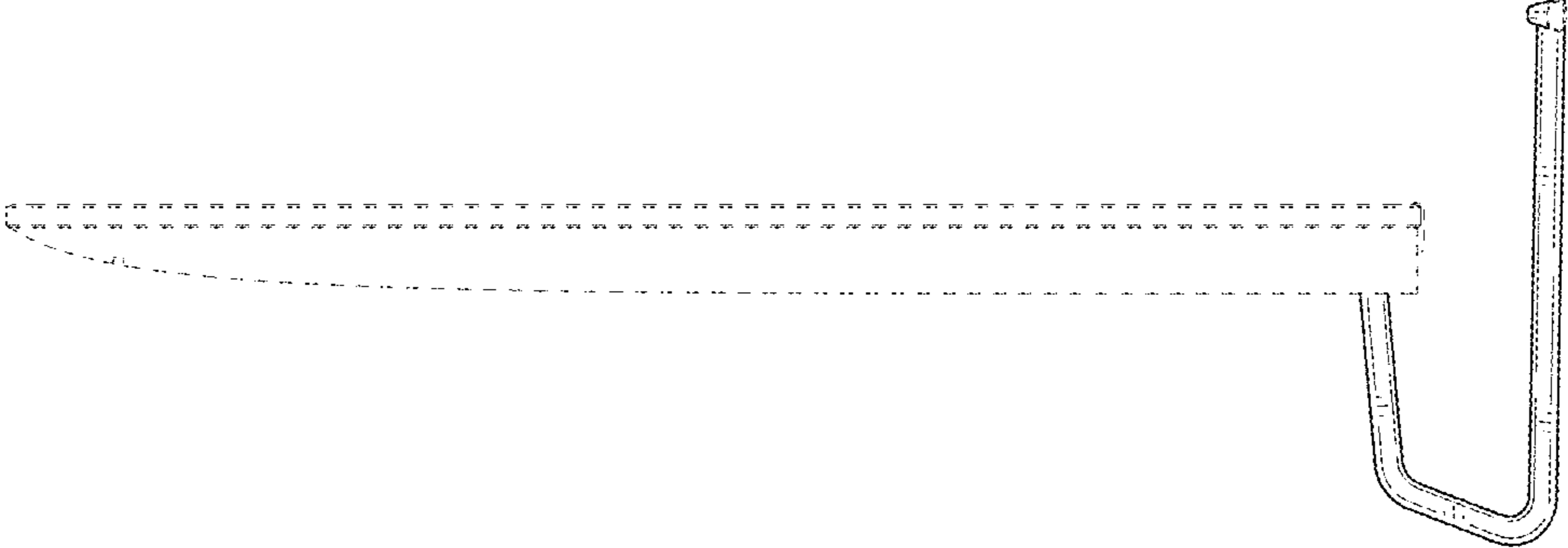


FIG. 6

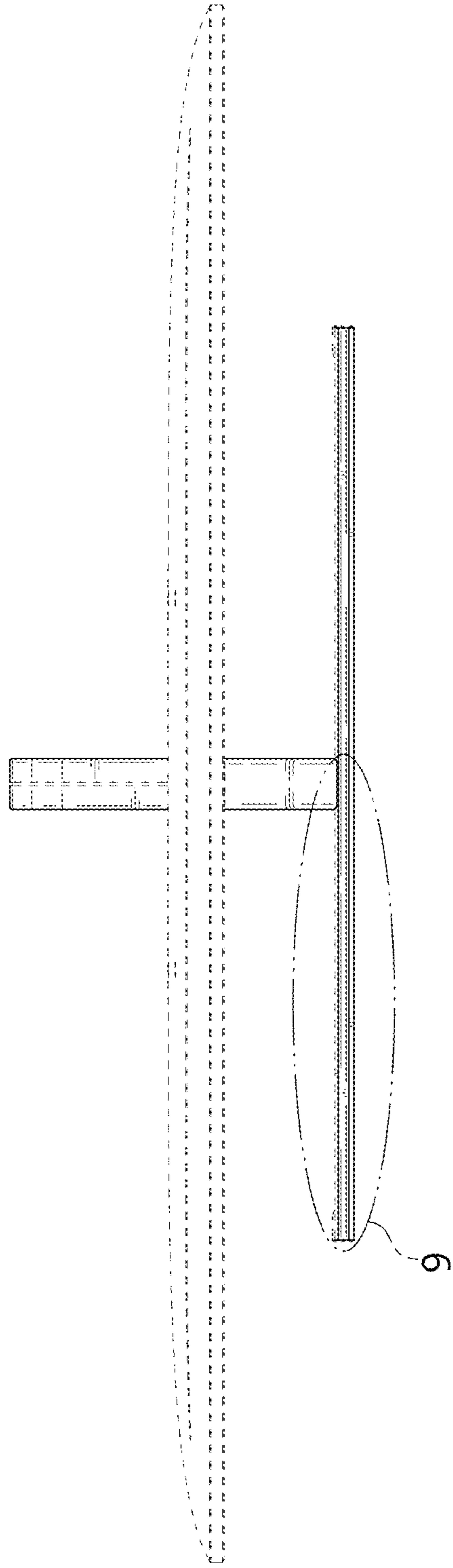


FIG. 7

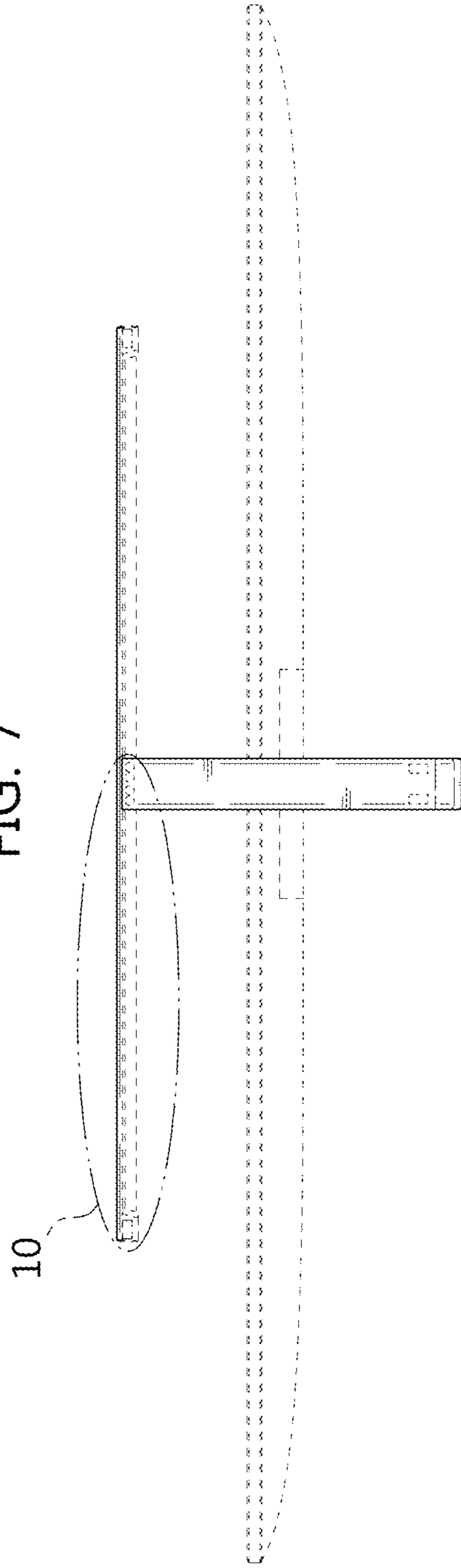


FIG. 8

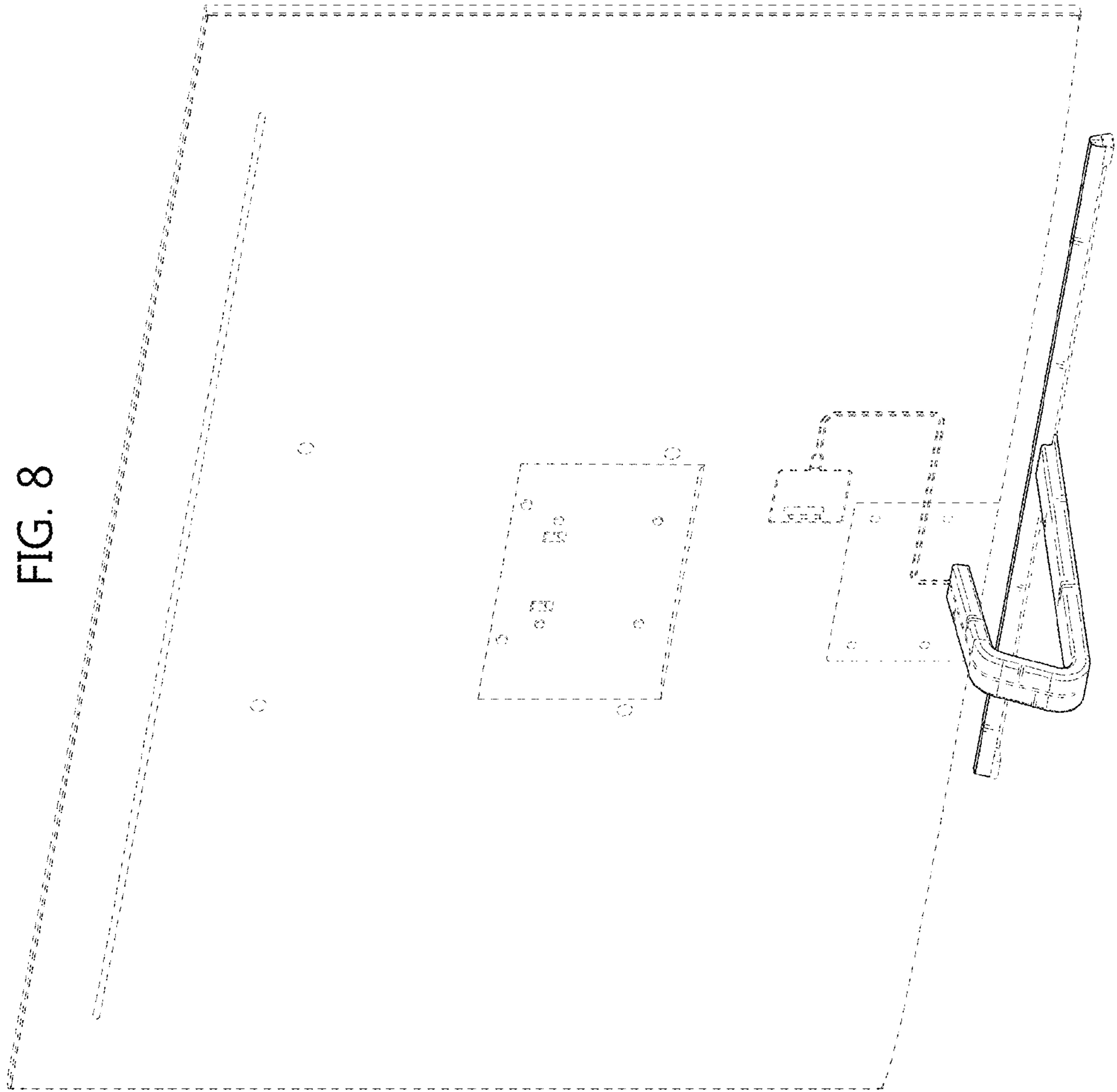


FIG. 9

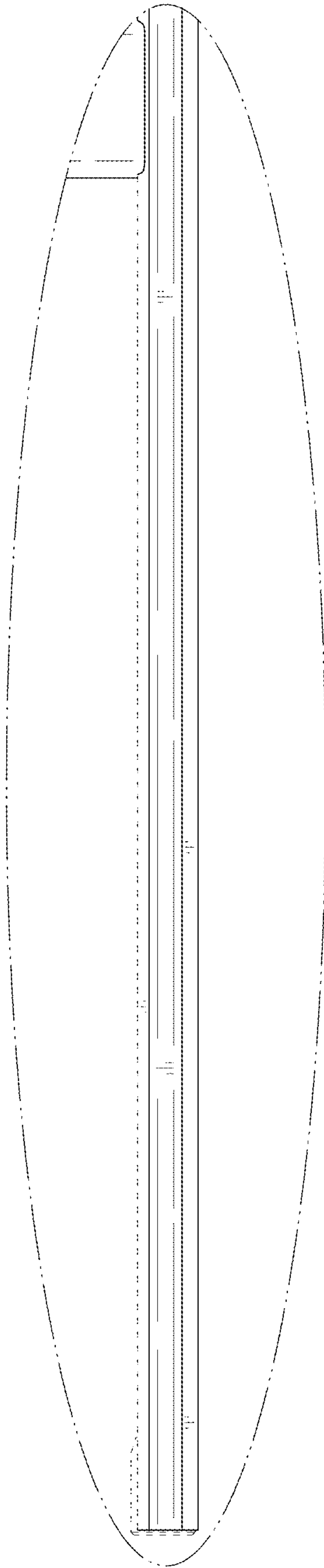


FIG. 10

