



US00D899385S

(12) **United States Design Patent**
Luo

(10) **Patent No.:** **US D899,385 S**

(45) **Date of Patent:** **** Oct. 20, 2020**

(54) **TOOTHBRUSH CAP WITH RAZOR
PLACEMENT SLOT**

(71) Applicant: **Ai Luo**, Heyuan (CN)

(72) Inventor: **Ai Luo**, Heyuan (CN)

(**) Term: **15 Years**

(21) Appl. No.: **29/656,577**

(22) Filed: **Jul. 13, 2018**

(30) **Foreign Application Priority Data**

Mar. 21, 2018 (CN) 2018 3 0105593

(51) **LOC (12) Cl.** **04-02**

(52) **U.S. Cl.**
USPC **D14/113; D4/116; D4/199**

(58) **Field of Classification Search**

USPC D4/100, 101, 102, 104, 105, 106, 107,
D4/108, 109, 110, 111, 112, 113, 114,
D4/115, 121, 137, 199; 15/167.1, 184;
D24/152, 176; D28/65; D3/203.5, 205;
132/308; D6/534; 206/352

CPC A46B 2200/1066; A46B 2200/1086; A46B
17/04; A46B 15/0053; A61B 50/362;
A45D 27/24

See application file for complete search history.

(56) **References Cited**

U.S. PATENT DOCUMENTS

- 1,646,100 A * 10/1927 Ordway A45D 27/24
206/225
- 1,651,987 A * 12/1927 Baker A45D 27/24
232/43.5
- 3,120,019 A * 2/1964 Scott A46B 17/04
15/184
- 5,509,168 A * 4/1996 Butler A46B 17/04
132/308
- 5,924,567 A * 7/1999 Wenum A46B 17/04
206/15.3

- 5,960,801 A * 10/1999 Vermooten A46B 17/04
132/286
- 6,457,583 B1 * 10/2002 Tee A46B 17/04
132/308
- D518,643 S * 4/2006 Kling D4/113
- D670,506 S * 11/2012 Kayser D4/113
- D798,606 S * 10/2017 Kim D4/137
- D823,002 S * 7/2018 Rogers D4/113

(Continued)

FOREIGN PATENT DOCUMENTS

EM 005326741-0001 * 7/2018

OTHER PUBLICATIONS

We-Alter toothbrush cover with razor [on-line]. [Original publica-
tion date unknown.] [Retrieved from the Internet Jul. 24, 2020.] See
printed copy for full URL address. (Year: 2020).*

(Continued)

Primary Examiner — Karen E Eldridge Powers
(74) *Attorney, Agent, or Firm* — ScienBiziP, P.C.

(57) **CLAIM**

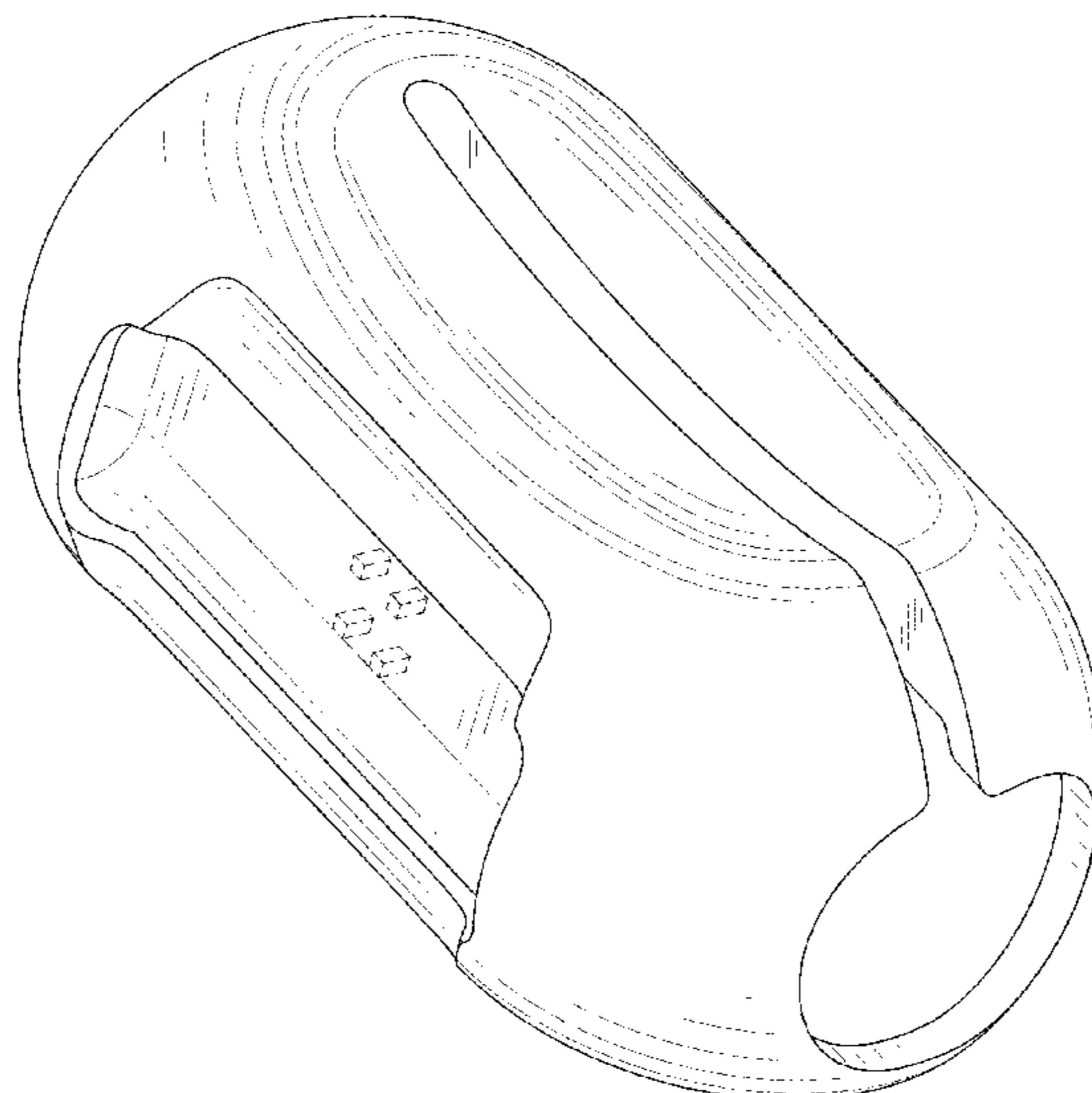
The ornamental design for a toothbrush cap with razor
placement slot, as shown and described.

DESCRIPTION

FIG. 1 is a top, front perspective view of a toothbrush cap
with razor placement slot showing the new design;
FIG. 2 is a bottom, rear perspective view thereof;
FIG. 3 is a front elevation view thereof;
FIG. 4 is a rear elevation view thereof;
FIG. 5 is a left side elevation view thereof;
FIG. 6 is a right side elevation view thereof;
FIG. 7 is a top plan view thereof; and,
FIG. 8 is a bottom plan view thereof.

The portions shown in broken lines in the drawings illustrate
environmental structure only and form no part of the
claimed design.

1 Claim, 8 Drawing Sheets



(56)

References Cited

U.S. PATENT DOCUMENTS

D841,337 S * 2/2019 Mauffette D4/113
10,244,842 B2 * 4/2019 Tirado A45D 27/24
D876,103 S * 2/2020 Kim D4/199
2012/0285841 A1 * 11/2012 Noonan D45D 27/225
206/204

OTHER PUBLICATIONS

We-Alter Multifunctional Silicone Razor Holder for Shower Portable . . . [on-line]. [Original publication date unknown.] [Retrieved from the Internet Jul. 24, 2020.] URL: ><https://www.amazon.com/WE-ALTER-Multifunctional-Silicone-Portable-Toothbrush/dp/B07KWDZRS7>< (Year: 2020).*

* cited by examiner



FIG. 1

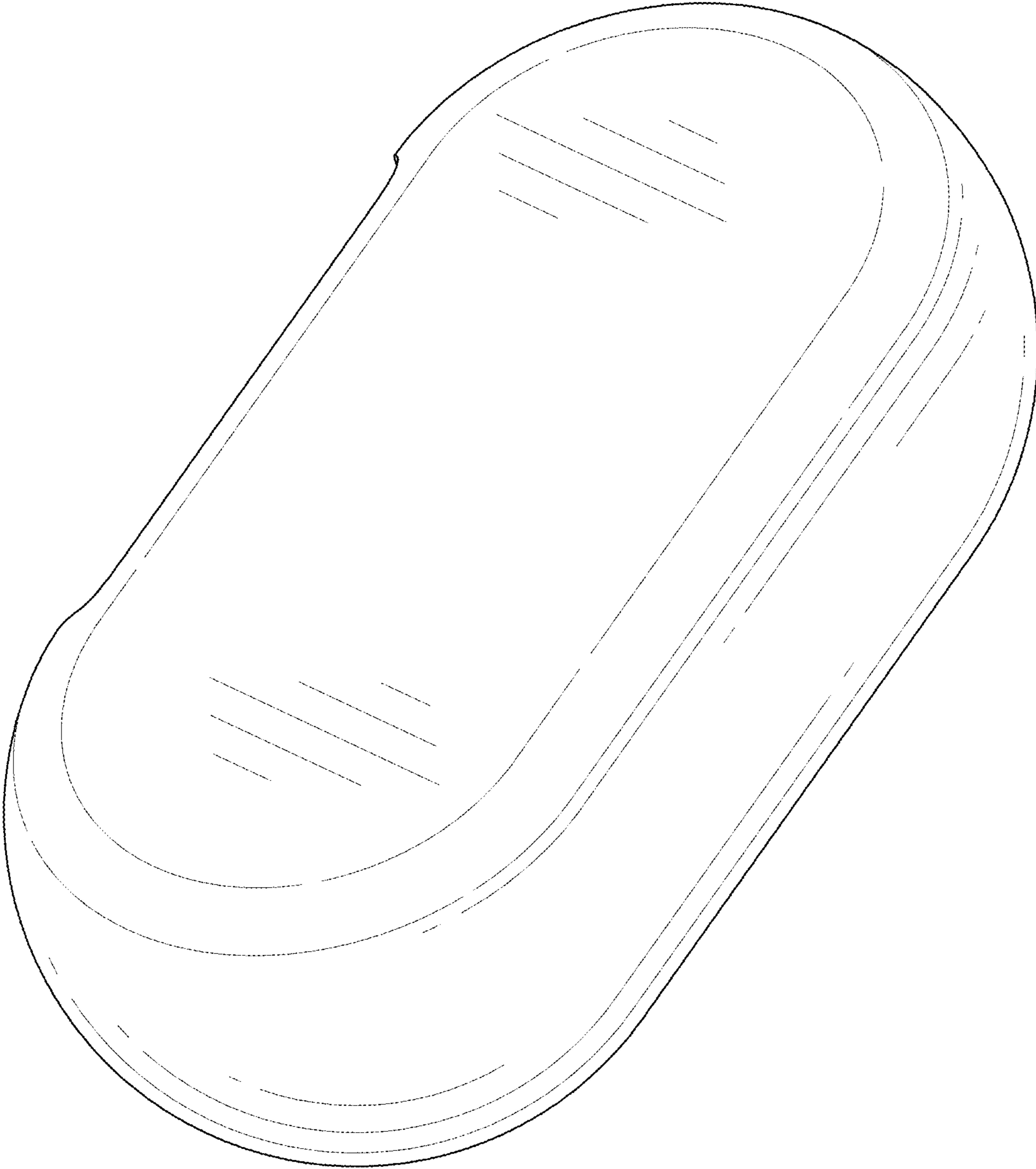


FIG. 2

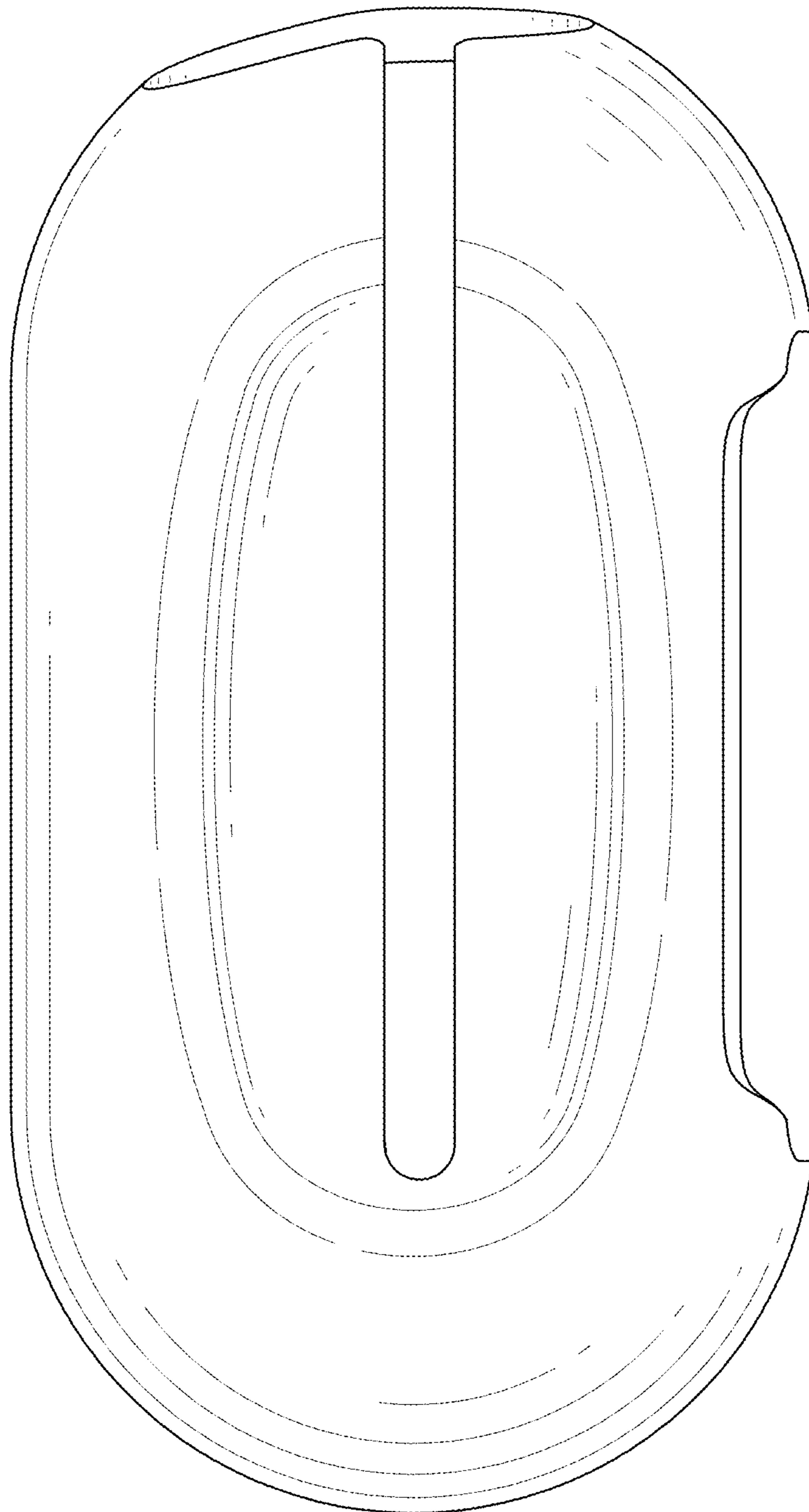


FIG. 3

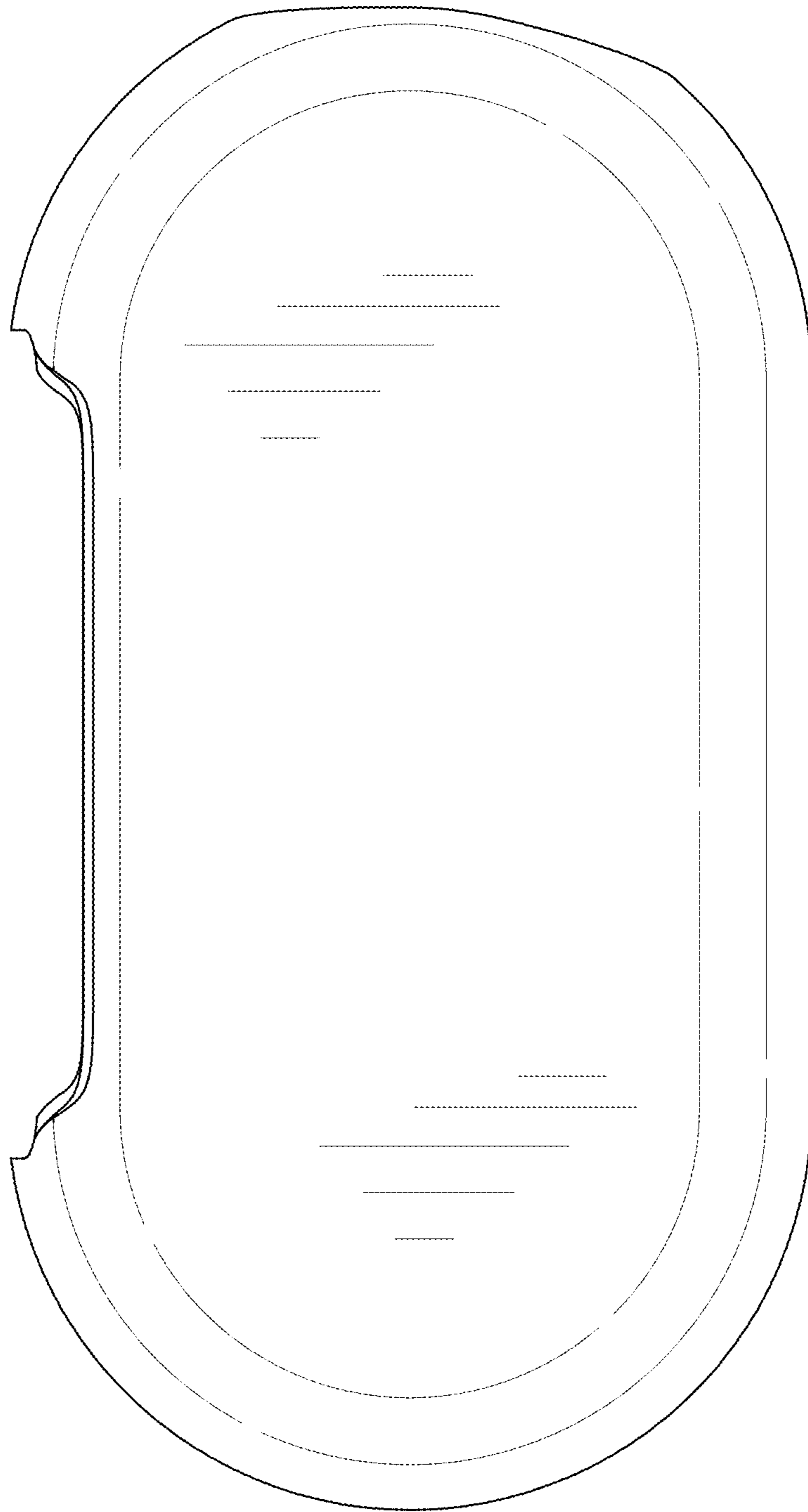


FIG. 4

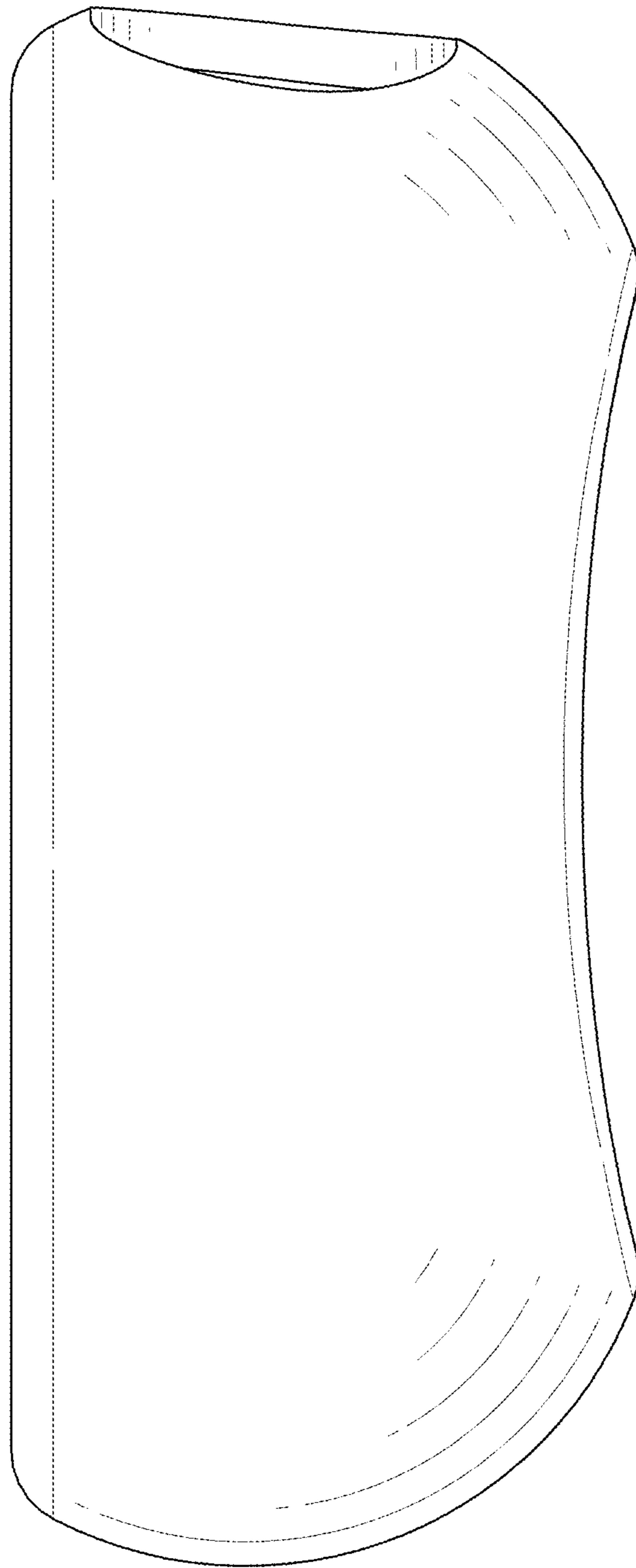


FIG. 5

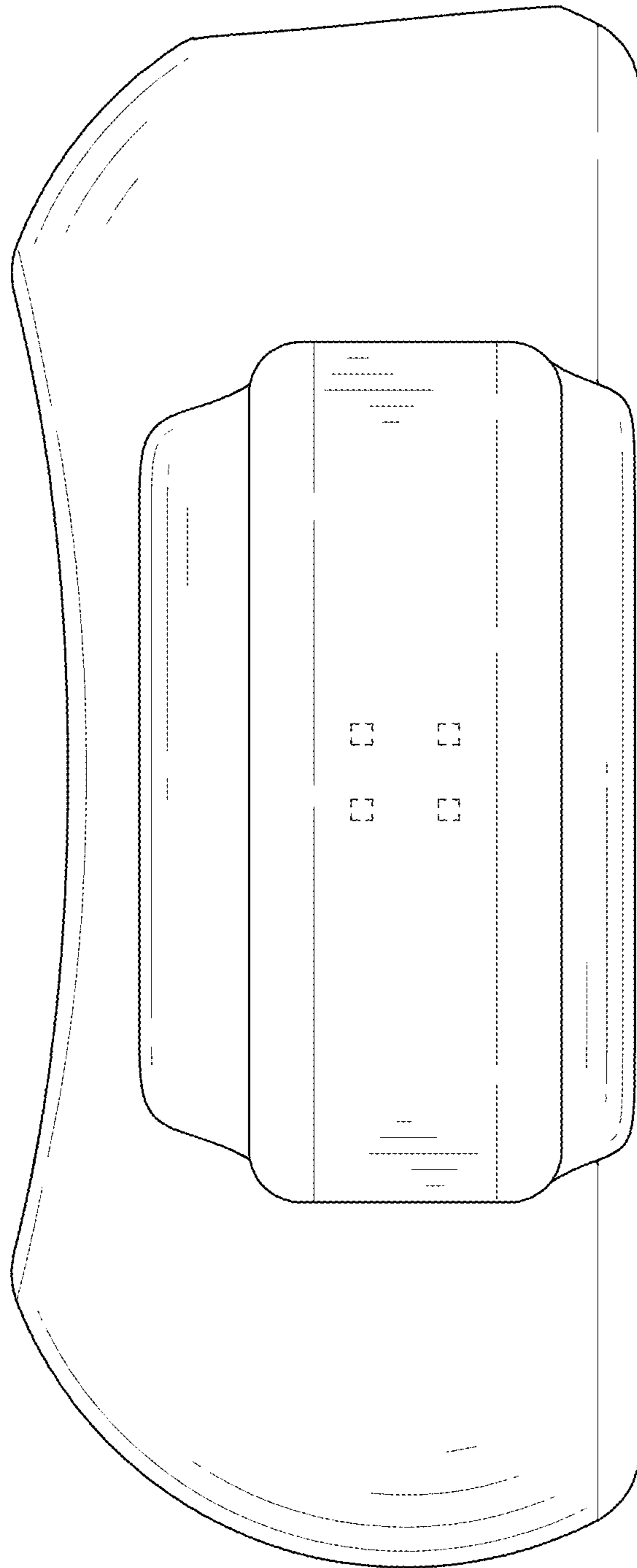


FIG. 6

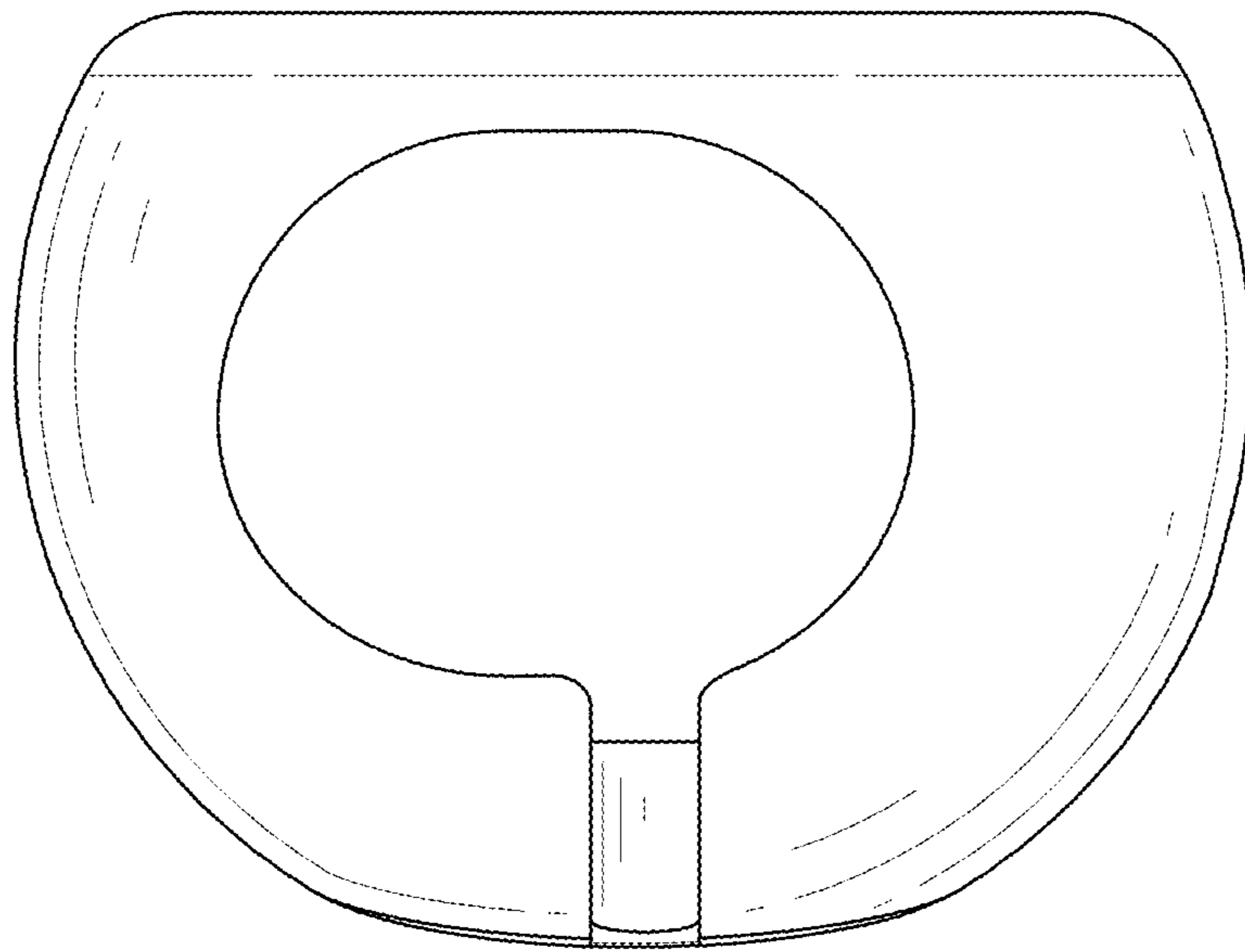


FIG. 7

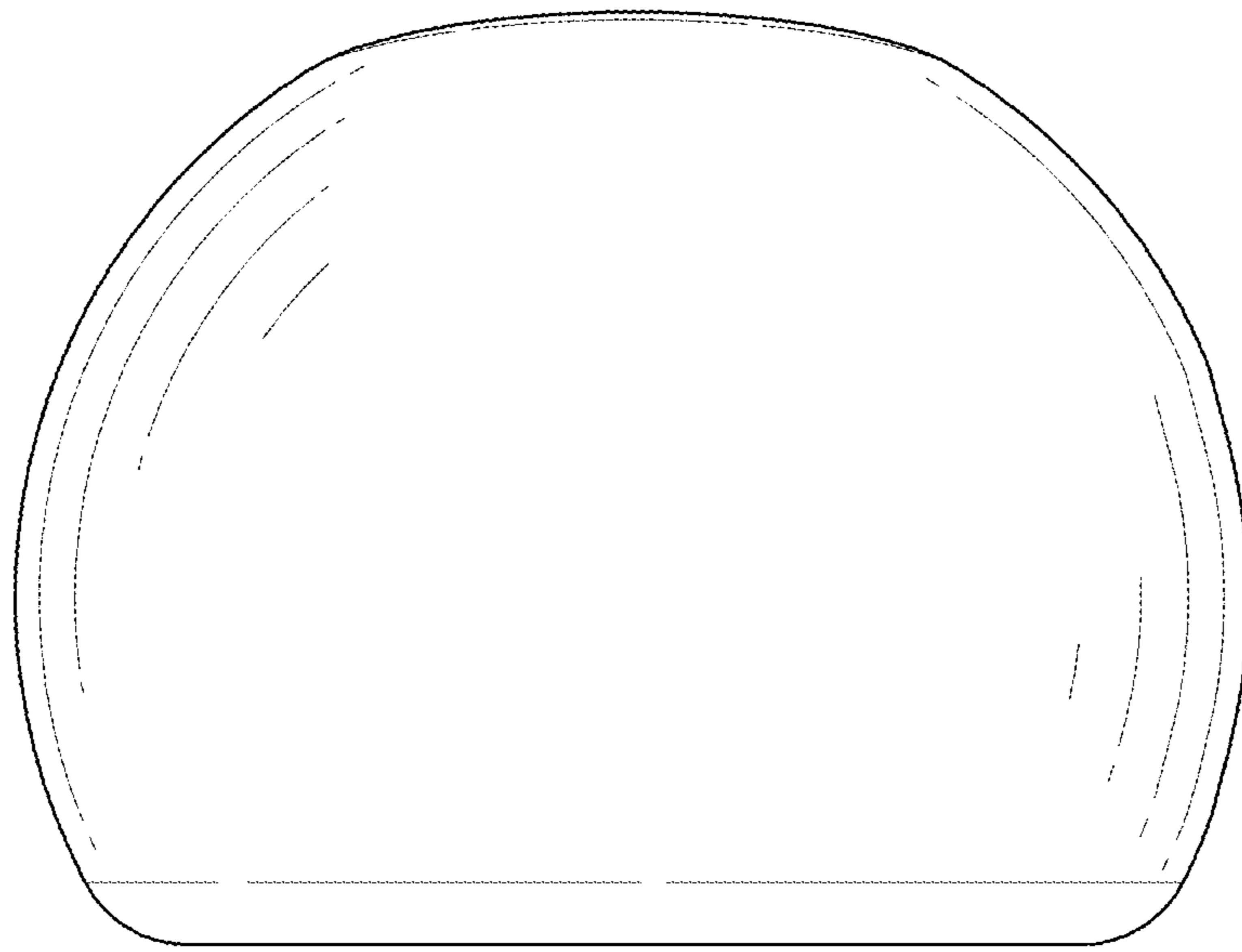


FIG. 8