

US00D899380S

(12) **United States Design Patent**  
**Hayes**

(10) **Patent No.:** **US D899,380 S**

(45) **Date of Patent:** **\*\* Oct. 20, 2020**

(54) **SWITCH**

(71) Applicant: **ECOBEE INC.**, Toronto (CA)

(72) Inventor: **Jonathan Hayes**, Cambridge, MA (US)

(73) Assignee: **ECOBEE INC.**, Toronto (CA)

(\*\*) Term: **15 Years**

(21) Appl. No.: **29/692,228**

(22) Filed: **May 23, 2019**

**Related U.S. Application Data**

(63) Continuation of application No. 29/602,424, filed on May 1, 2017, now Pat. No. Des. 853,971.

(51) **LOC (12) Cl.** ..... **13-03**

(52) **U.S. Cl.**  
USPC ..... **D13/162**

(58) **Field of Classification Search**  
USPC ..... D13/162, 164, 171; D10/106.8  
CPC ..... H01H 3/02; H01H 3/0213; H01H 3/12;  
H01H 3/122; H01H 9/02; H01H 9/16;  
H01H 9/161; H01H 9/18; H05B 33/0803;  
H05B 33/0863; H05B 37/0227; H05B  
37/0272; H05B 39/02; H05B 39/085;  
H05B 39/086; H05B 39/088

See application file for complete search history.

(56) **References Cited**

**U.S. PATENT DOCUMENTS**

D380,452 S \* 7/1997 Mix ..... D10/104.1  
D472,486 S \* 4/2003 Eckel ..... D10/106.8  
D535,204 S \* 1/2007 Bender ..... D10/106.8  
D565,984 S \* 4/2008 Lidong ..... D10/106.8

D654,030 S \* 2/2012 Hoffknecht ..... D13/164  
D706,726 S \* 6/2014 Mathew ..... D10/106.8  
9,136,839 B2 \* 9/2015 Ni ..... H03K 17/941  
D744,960 S \* 12/2015 Branham ..... D13/162  
D755,732 S \* 5/2016 Moeller ..... D13/162  
D781,245 S \* 3/2017 Okawa ..... D13/162  
D781,792 S \* 3/2017 Okawa ..... D13/162  
2009/0058193 A1 \* 3/2009 Reid ..... H05B 37/0227  
307/116  
2011/0253516 A1 \* 10/2011 Figueroa ..... H01H 9/161  
200/297

\* cited by examiner

*Primary Examiner* — Selina Sikder

(74) *Attorney, Agent, or Firm* — Perry + Currier Inc.

(57) **CLAIM**

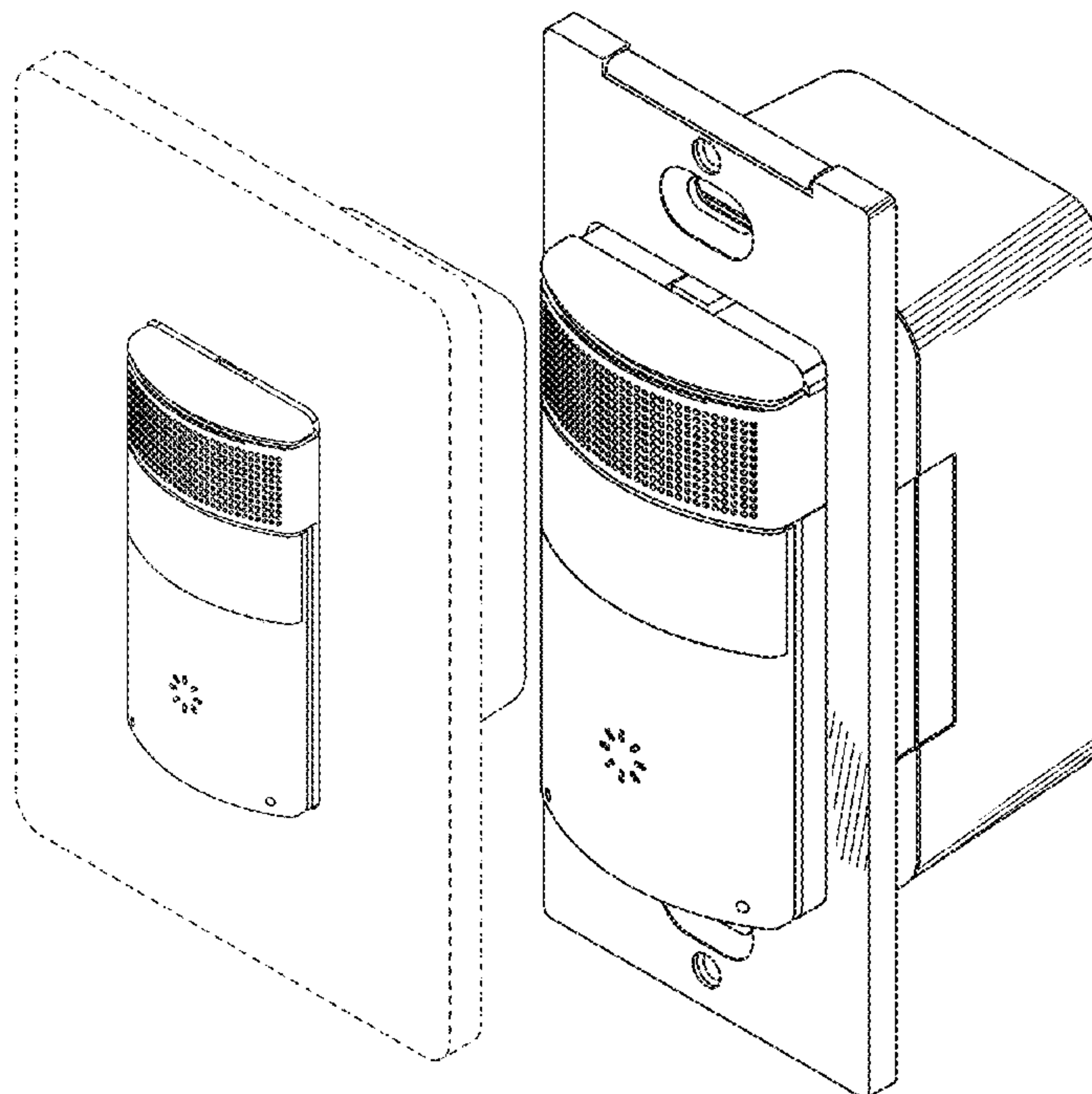
I claim the ornamental design for a switch, as shown and described in the Figures.

**DESCRIPTION**

FIG. 1 is a perspective view of a switch showing my new design;  
FIG. 2 is a front elevation view thereof;  
FIG. 3 is a rear elevation view thereof;  
FIG. 4 is a top plan view thereof;  
FIG. 5 is a bottom plan view thereof;  
FIG. 6 is a left side elevation view thereof;  
FIG. 7 is right side elevation view thereof; and,  
FIG. 8 is a perspective view of the switch of FIG. 1, with the trim plate excluded to show portions of the design not visible in the other views.

The broken lines shown in the drawing views are for illustrative purposes only and form no part of the claimed design.

**1 Claim, 7 Drawing Sheets**



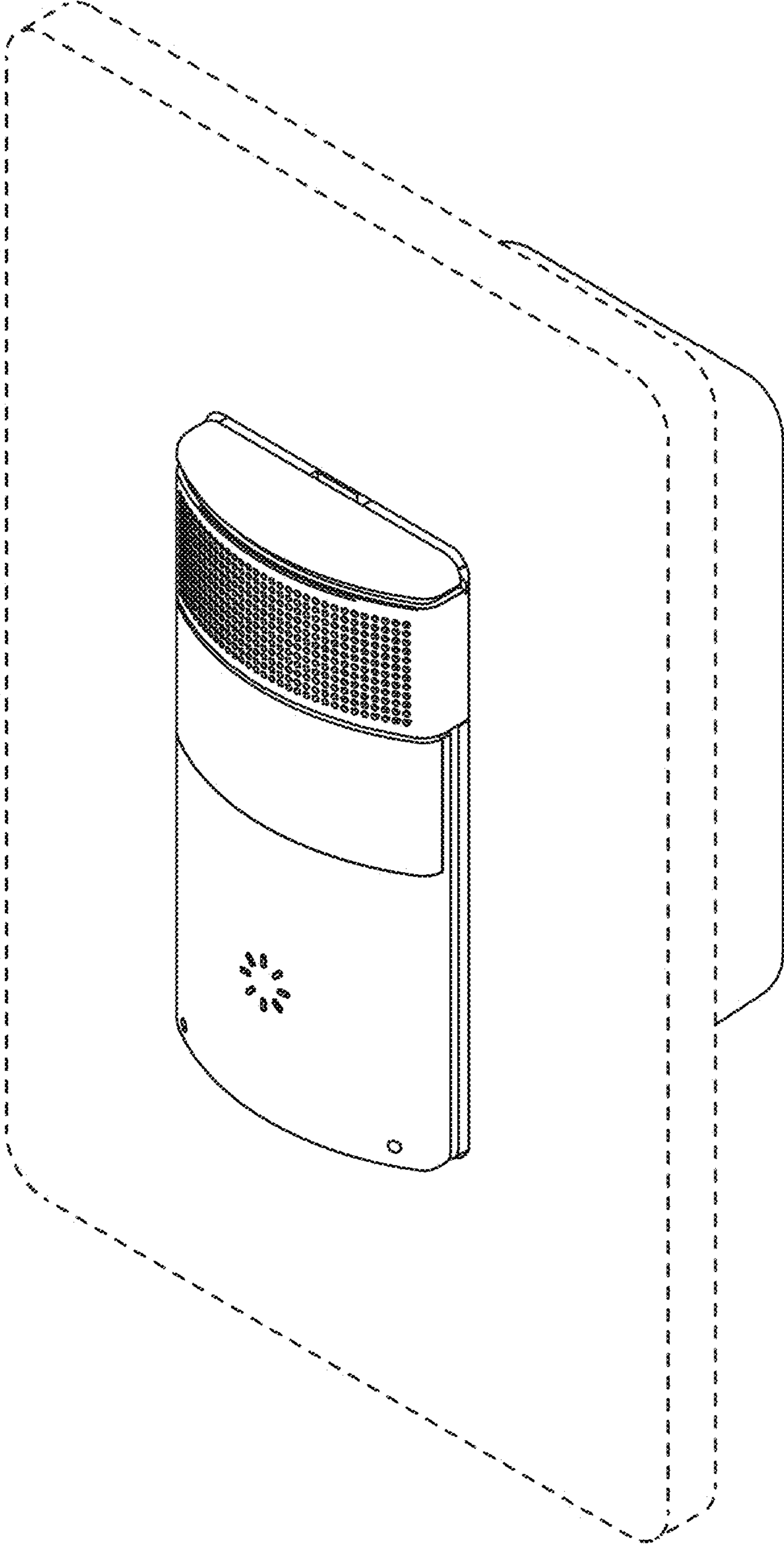


FIG. 1

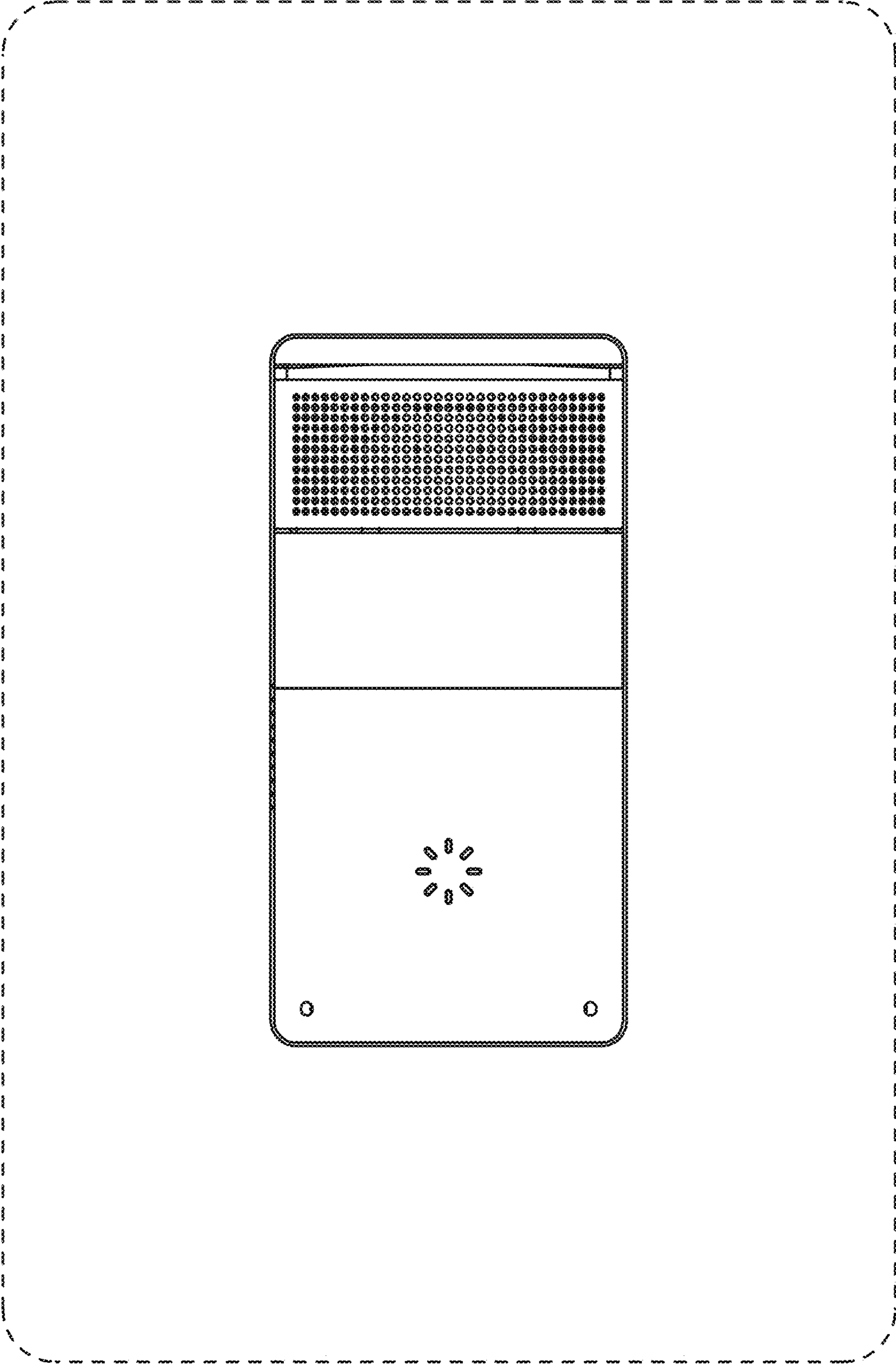
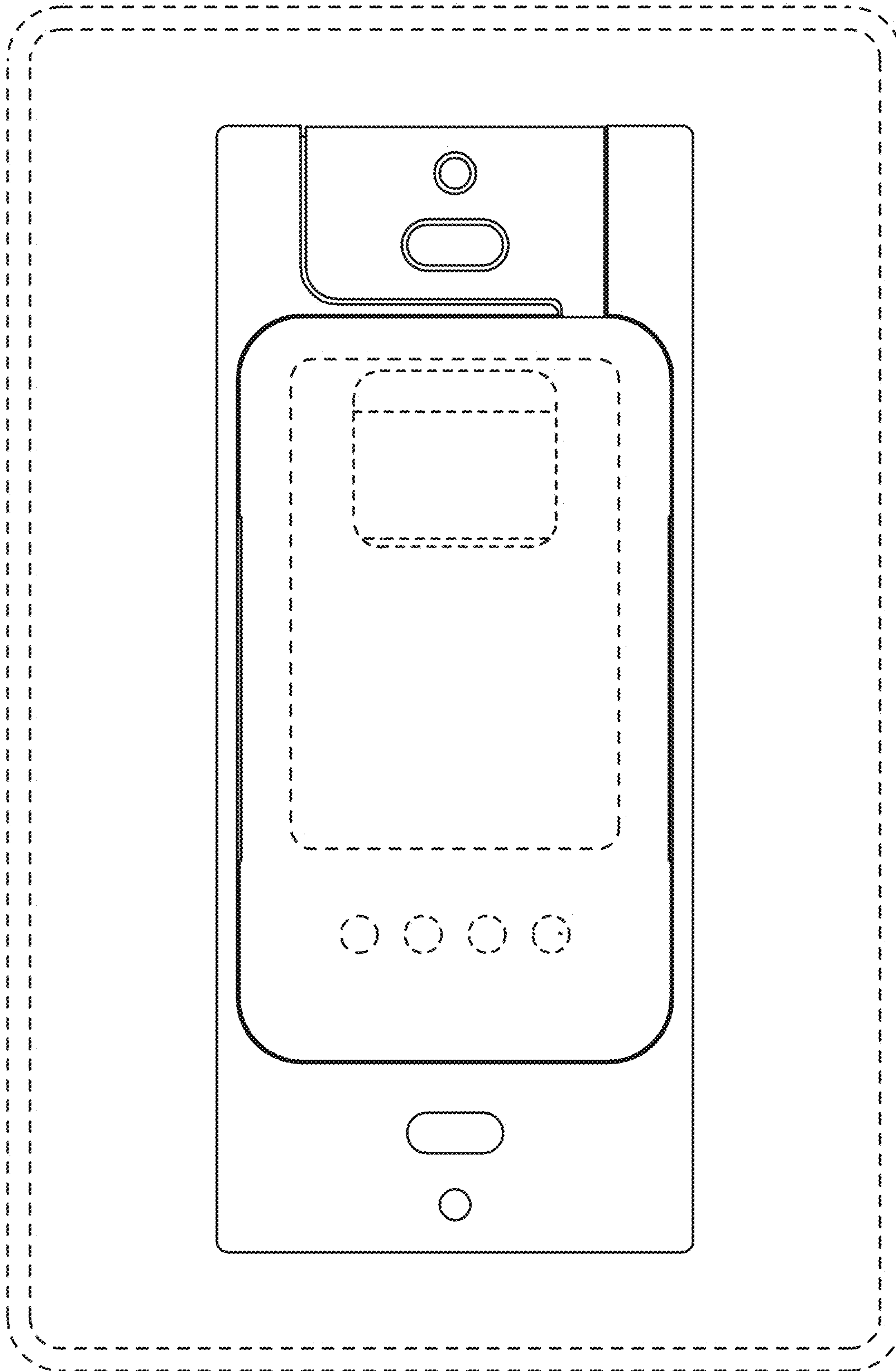
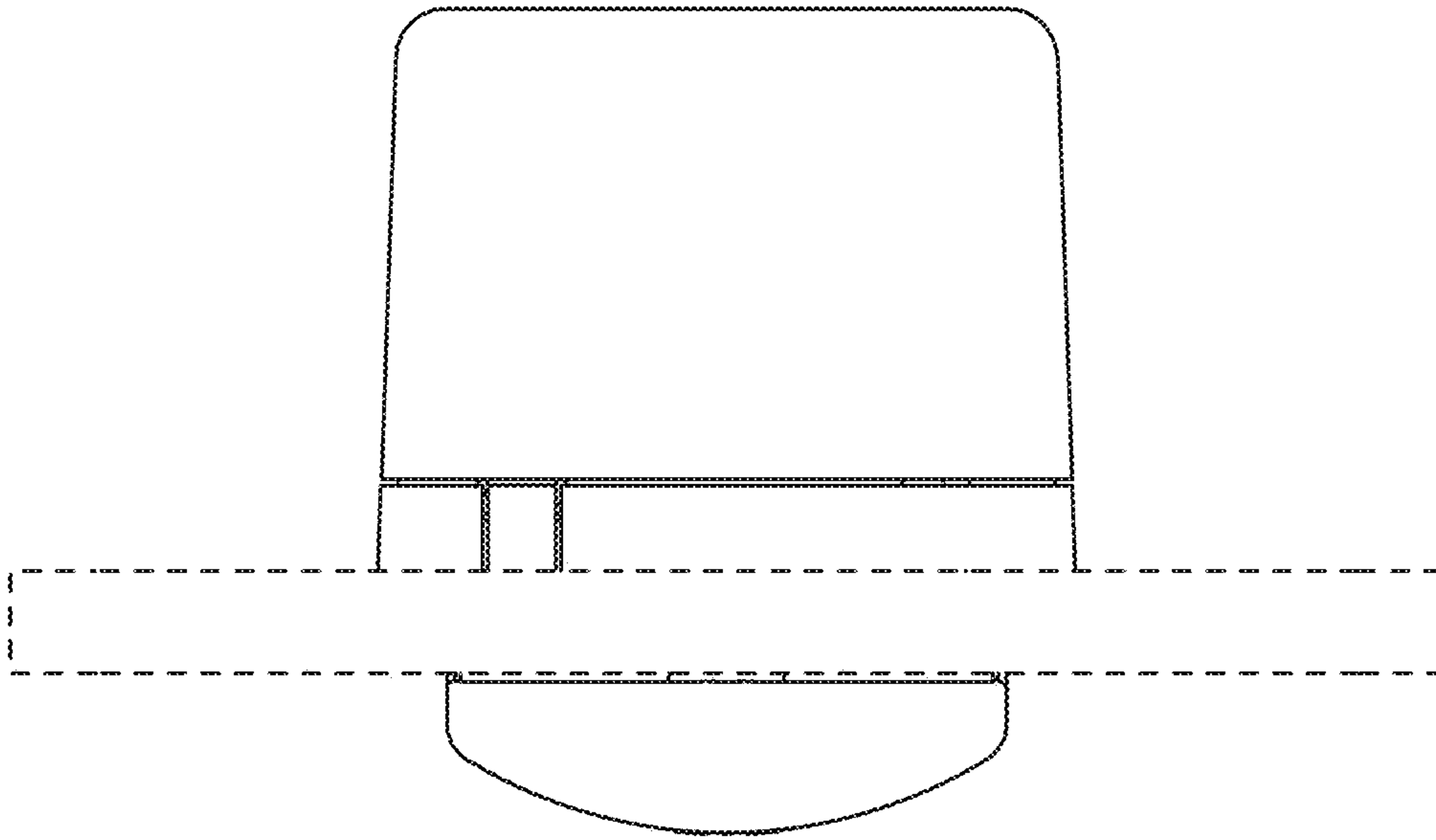


FIG. 2

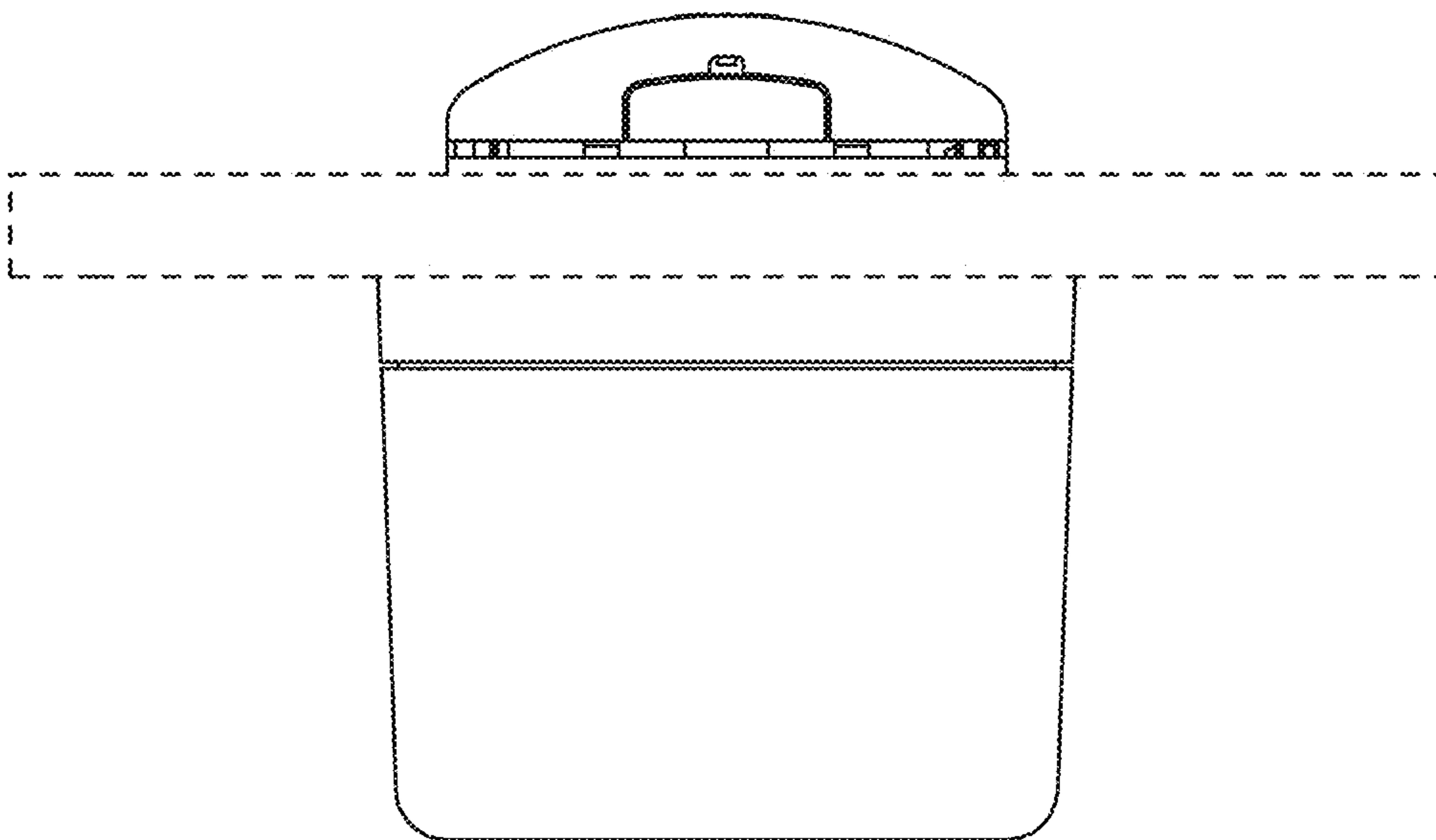


**FIG. 3**





**FIG. 4**



**FIG. 5**

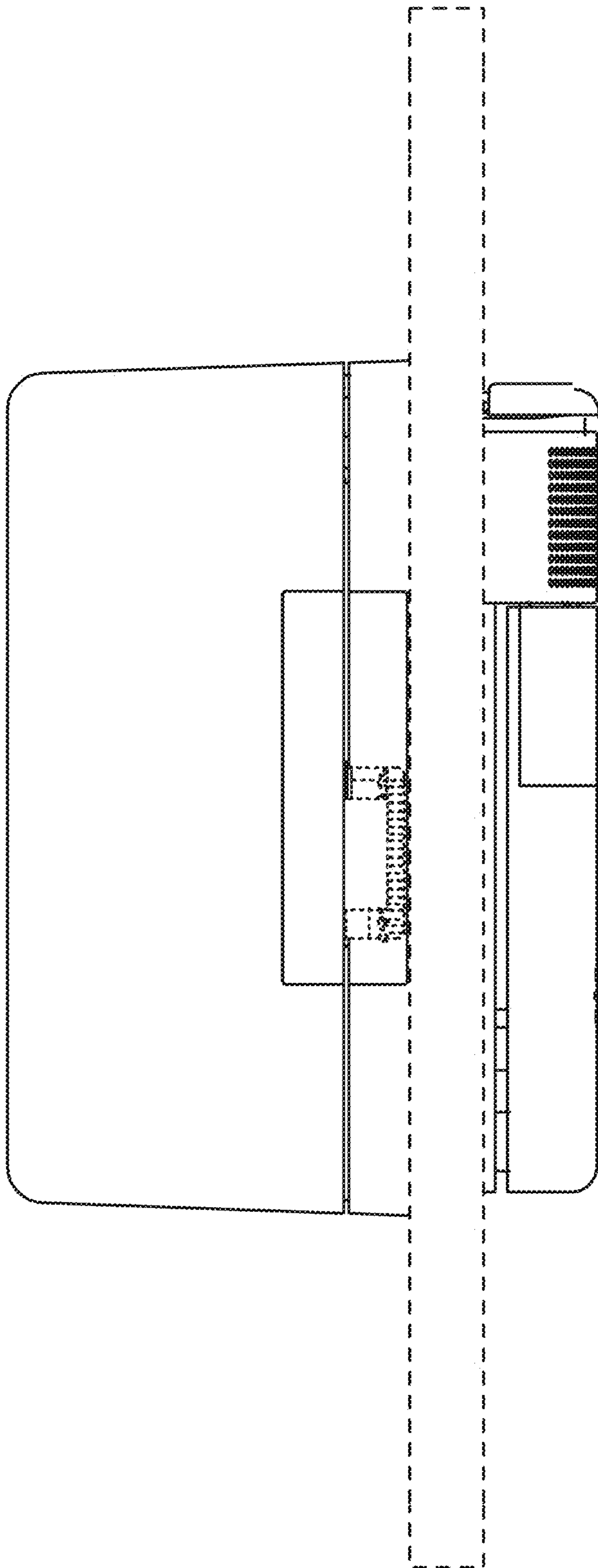


FIG. 6

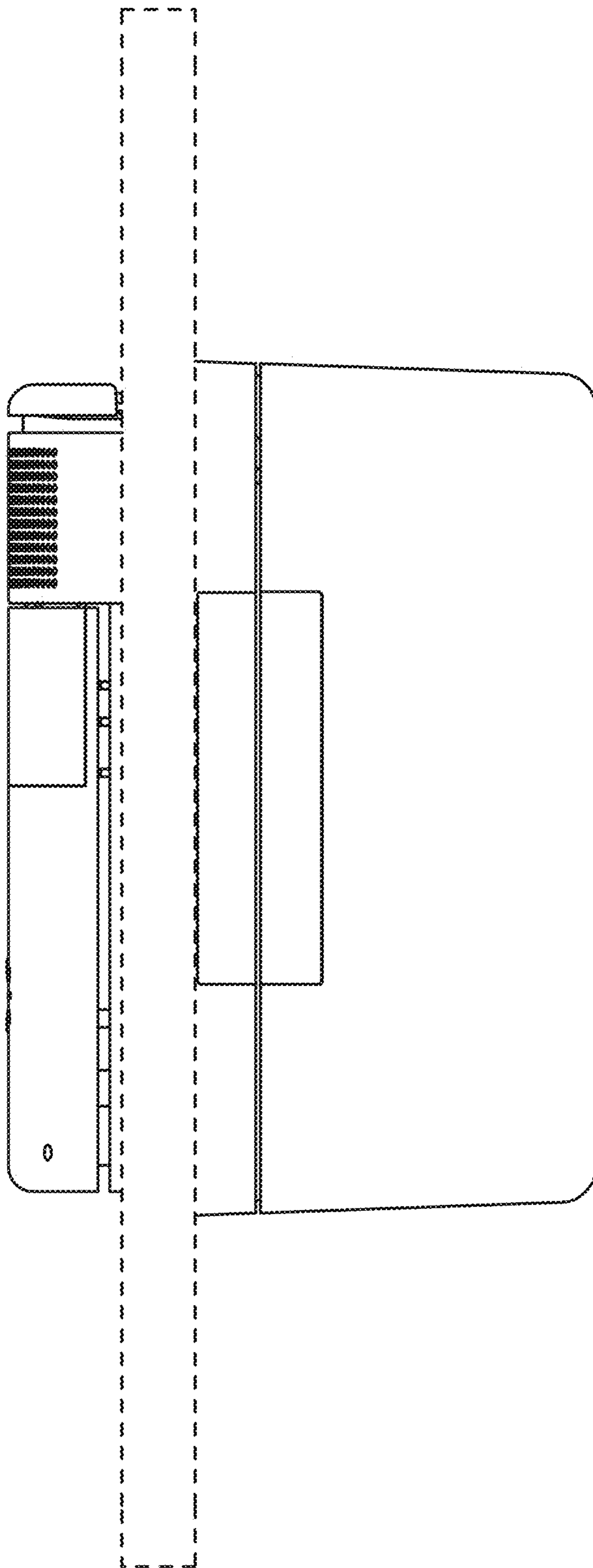
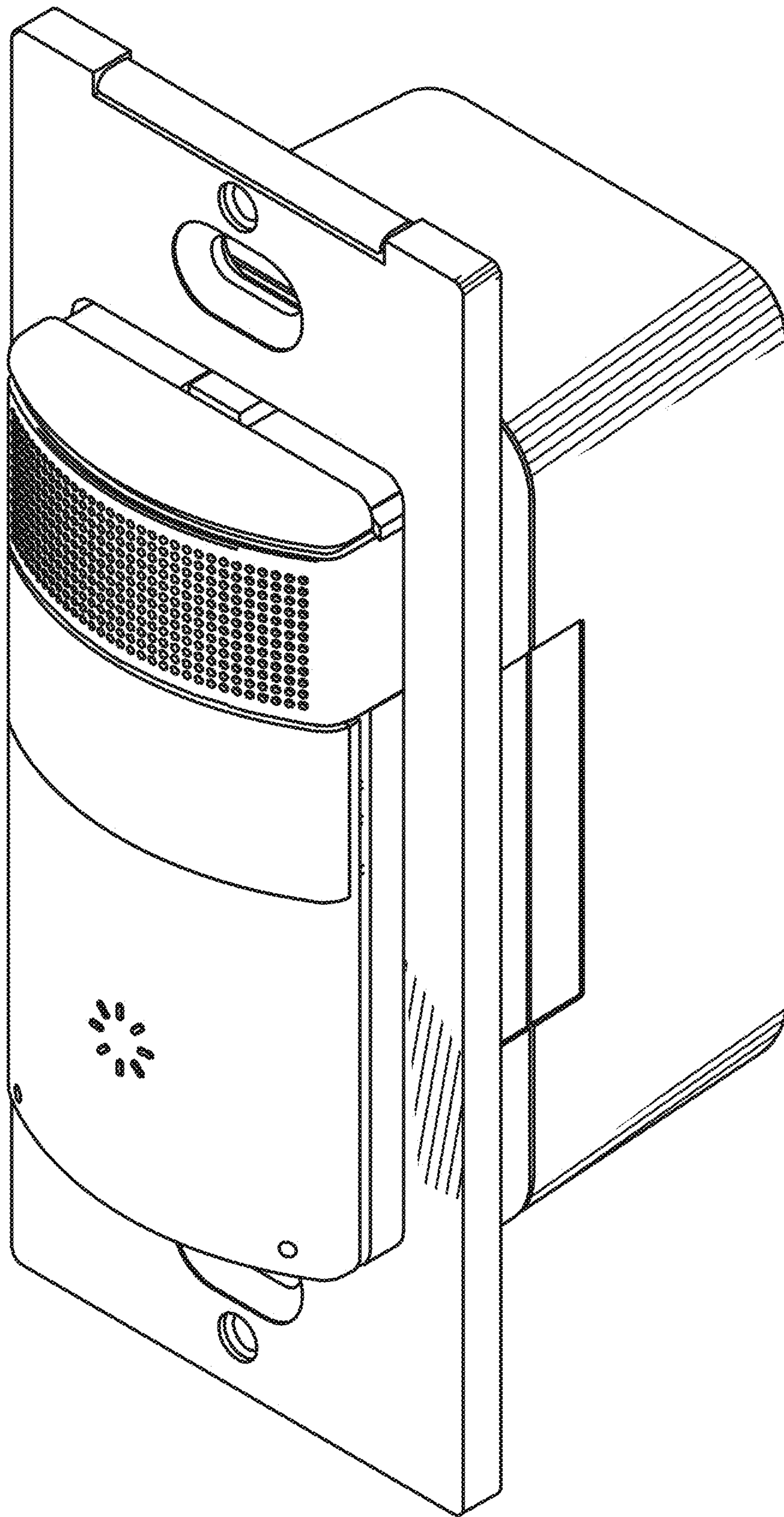


FIG. 7



**FIG. 8**