



US00D899378S

(12) **United States Design Patent** (10) **Patent No.:** **US D899,378 S**  
**Akana et al.** (45) **Date of Patent:** **\*\* Oct. 20, 2020**

(54) **ADAPTER**

(71) Applicant: **Apple Inc.**, Cupertino, CA (US)

(72) Inventors: **Jody Akana**, San Francisco, CA (US); **Bartley K. Andre**, Palo Alto, CA (US); **Shota Aoyagi**, San Francisco, CA (US); **Anthony Michael Ashcroft**, San Francisco, CA (US); **Jeremy Bataillou**, San Francisco, CA (US); **Daniel J. Coster**, San Francisco, CA (US); **Daniele De Iuliis**, San Francisco, CA (US); **M. Evans Hankey**, San Francisco, CA (US); **Julian Hoenig**, San Francisco, CA (US); **Richard P. Howarth**, San Francisco, CA (US); **Jonathan P. Ive**, San Francisco, CA (US); **Duncan Robert Kerr**, San Francisco, CA (US); **Matthew Dean Rohrbach**, San Francisco, CA (US); **Peter Russell-Clarke**, San Francisco, CA (US); **Mikael Silvanto**, San Francisco, CA (US); **Christopher J. Stringer**, Woodside, CA (US); **Eugene Antony Whang**, San Francisco, CA (US); **Rico Zörkendörfer**, San Francisco, CA (US)

(73) Assignee: **Apple Inc.**, Cupertino, CA (US)

(\*\*) Term: **15 Years**

(21) Appl. No.: **29/700,558**

(22) Filed: **Aug. 2, 2019**

**Related U.S. Application Data**

(63) Continuation of application No. 29/574,361, filed on Aug. 15, 2016, now Pat. No. Des. 860,952, which is (Continued)

(51) **LOC (12) Cl.** ..... **13-03**

(52) **U.S. Cl.**  
USPC ..... **D13/147; D13/137.1**

(58) **Field of Classification Search**

USPC ..... D13/147, 137.1–137.4, 138.1, 138.2, D13/139.1–139.8, 110, 108; D7/397 (Continued)

(56) **References Cited**

**U.S. PATENT DOCUMENTS**

D138,086 S 6/1944 Ludwig  
D292,700 S \* 11/1987 Rauch ..... D13/137.1 (Continued)

**FOREIGN PATENT DOCUMENTS**

WO DM 075738 5/2011

**OTHER PUBLICATIONS**

“USB Charger for iPhone 3G—Original”, accessed at <http://ucables.com/ref/USB-CHARGER-IPHONE-3G-R73467>, added Jun. 12, 2008.

*Primary Examiner* — Rhea Shields

(74) *Attorney, Agent, or Firm* — Sterne, Kessler, Goldstein & Fox P.L.L.C.

(57) **CLAIM**

The ornamental design for an adapter, as shown and described.

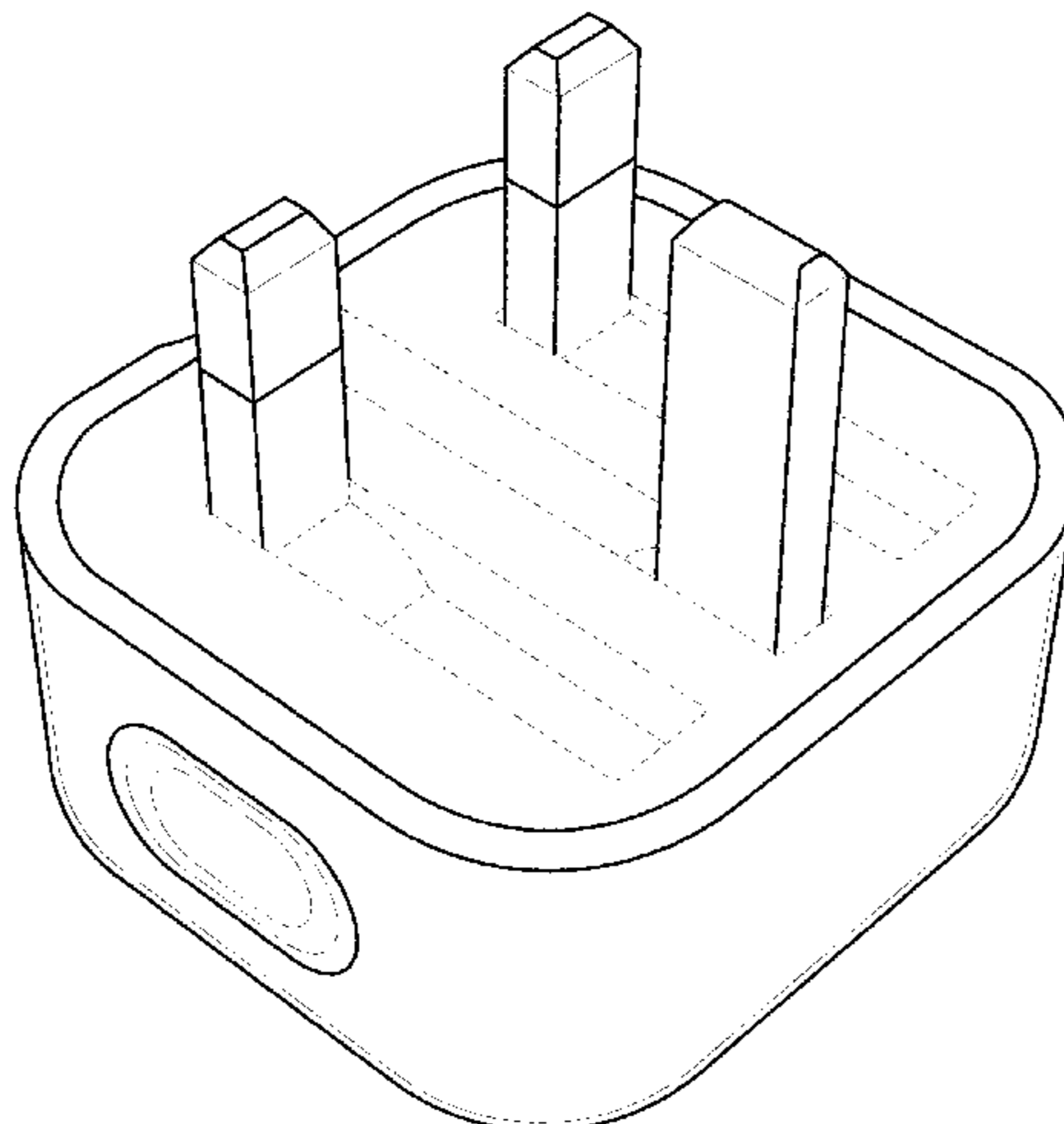
**DESCRIPTION**

FIG. 1 is a front perspective view of an adapter showing the claimed design;  
FIG. 2 is a rear perspective view thereof;  
FIG. 3 is a front view thereof;  
FIG. 4 is a rear view thereof;  
FIG. 5 is a left side view thereof;  
FIG. 6 is a right side view thereof;  
FIG. 7 is a top view thereof; and,  
FIG. 8 is a bottom view thereof.

The broken lines in the figures show portions of the adapter that form no part of the claimed design.

The shade lines in the figures show contour and not surface ornamentation.

(Continued)



In the drawings, the broken lines are for the purpose of illustrating portions of the adapter that form no part of the claimed design.

**1 Claim, 8 Drawing Sheets**

**Related U.S. Application Data**

a continuation of application No. 29/501,659, filed on Sep. 5, 2014, now Pat. No. Des. 763,794.

(58) **Field of Classification Search**

CPC ..... H01R 13/44; H01R 13/514; H01R 35/04; H01R 27/00; H02J 7/0042

See application file for complete search history.

(56) **References Cited**

U.S. PATENT DOCUMENTS

4,997,381 A \* 3/1991 Oh ..... H01R 27/00  
439/131

D375,080 S 10/1996 Sandor et al.  
5,613,863 A 3/1997 Klaus et al.  
D405,765 S 2/1999 Yu  
5,967,807 A 10/1999 Wu  
6,126,460 A 10/2000 Wu  
D436,078 S 1/2001 Korte  
6,275,002 B1 8/2001 Chen  
6,641,412 B2 11/2003 Kitagawa et al.  
D498,462 S \* 11/2004 Andre ..... D13/138.2  
D503,679 S 4/2005 Andre et al.  
D511,649 S 11/2005 Chen  
7,001,196 B1 \* 2/2006 Huang ..... H01R 35/04  
439/131

D521,936 S 5/2006 Novotney et al.  
D522,463 S 6/2006 Novotney et al.  
D526,648 S 8/2006 Andre et al.  
D552,034 S 10/2007 Hobson et al.  
D572,712 S 7/2008 Ledbetter et al.  
D573,946 S 7/2008 Ledbetter et al.  
D579,876 S 11/2008 Novotney et al.  
D583,316 S 12/2008 Sade et al.  
D587,192 S 2/2009 McGinley et al.  
D595,223 S 6/2009 Yamamoto et al.  
D595,224 S 6/2009 Seil et al.  
D596,572 S 7/2009 Wu et al.

D601,500 S 10/2009 Green et al.  
D601,501 S 10/2009 Kaibara et al.  
D601,583 S 10/2009 Andre et al.  
D602,430 S 10/2009 Green et al.  
D610,994 S 3/2010 Fahrendorff et al.  
D611,409 S 3/2010 Green et al.  
D611,415 S 3/2010 Andre et al.  
D617,275 S \* 6/2010 Fahrendorff ..... D13/138.1  
D617,277 S \* 6/2010 Fahrendorff ..... D13/138.1  
D623,136 S 9/2010 Andre et al.  
7,794,251 B2 \* 9/2010 Wen ..... H01R 13/514  
439/173

D642,524 S \* 8/2011 Fitch ..... D13/110  
D643,807 S 8/2011 Jiang  
D647,476 S \* 10/2011 Ciou ..... D13/110  
8,057,265 B2 \* 11/2011 Youssefi-Shams .... H01R 13/44  
439/655

D653,615 S \* 2/2012 Au ..... D13/108  
8,113,855 B2 2/2012 Green et al.  
D655,244 S \* 3/2012 Au ..... D13/108  
D661,649 S 6/2012 Andre et al.  
D683,314 S 5/2013 Andre et al.  
D702,633 S \* 4/2014 Andre ..... H02J 7/0042  
D13/110

D705,736 S \* 5/2014 Zaslavsky ..... D13/139.7  
D711,823 S \* 8/2014 Akana ..... D13/110  
D711,824 S 8/2014 Matsuoka et al.  
D712,829 S 9/2014 Huang  
D719,092 S \* 12/2014 Huang ..... D13/110  
D721,037 S \* 1/2015 Kelly ..... D13/137.1  
D732,472 S \* 6/2015 Laffon ..... D13/110  
D734,260 S \* 7/2015 Cephress ..... D13/110  
D735,669 S \* 8/2015 Kelly ..... D13/138.1  
D738,308 S 9/2015 Sumwalt et al.  
D740,751 S \* 10/2015 Akana ..... D13/110  
D746,773 S \* 1/2016 Andre ..... D13/110  
D750,571 S 3/2016 Auguste et al.  
D751,039 S 3/2016 Ptok et al.  
D762,173 S \* 7/2016 Solomon ..... D13/110  
D763,794 S \* 8/2016 Akana ..... D13/137.1  
D778,914 S \* 2/2017 Huang ..... D14/433  
D788,709 S 6/2017 Yeo  
D798,233 S \* 9/2017 Huang ..... D13/108  
D804,412 S \* 12/2017 Huang ..... D13/108  
D811,329 S 2/2018 Roberts et al.  
D860,952 S \* 9/2019 Akana ..... D13/147

2009/0289596 A1 11/2009 McGinley et al.  
2010/0117597 A1 5/2010 Wang

\* cited by examiner

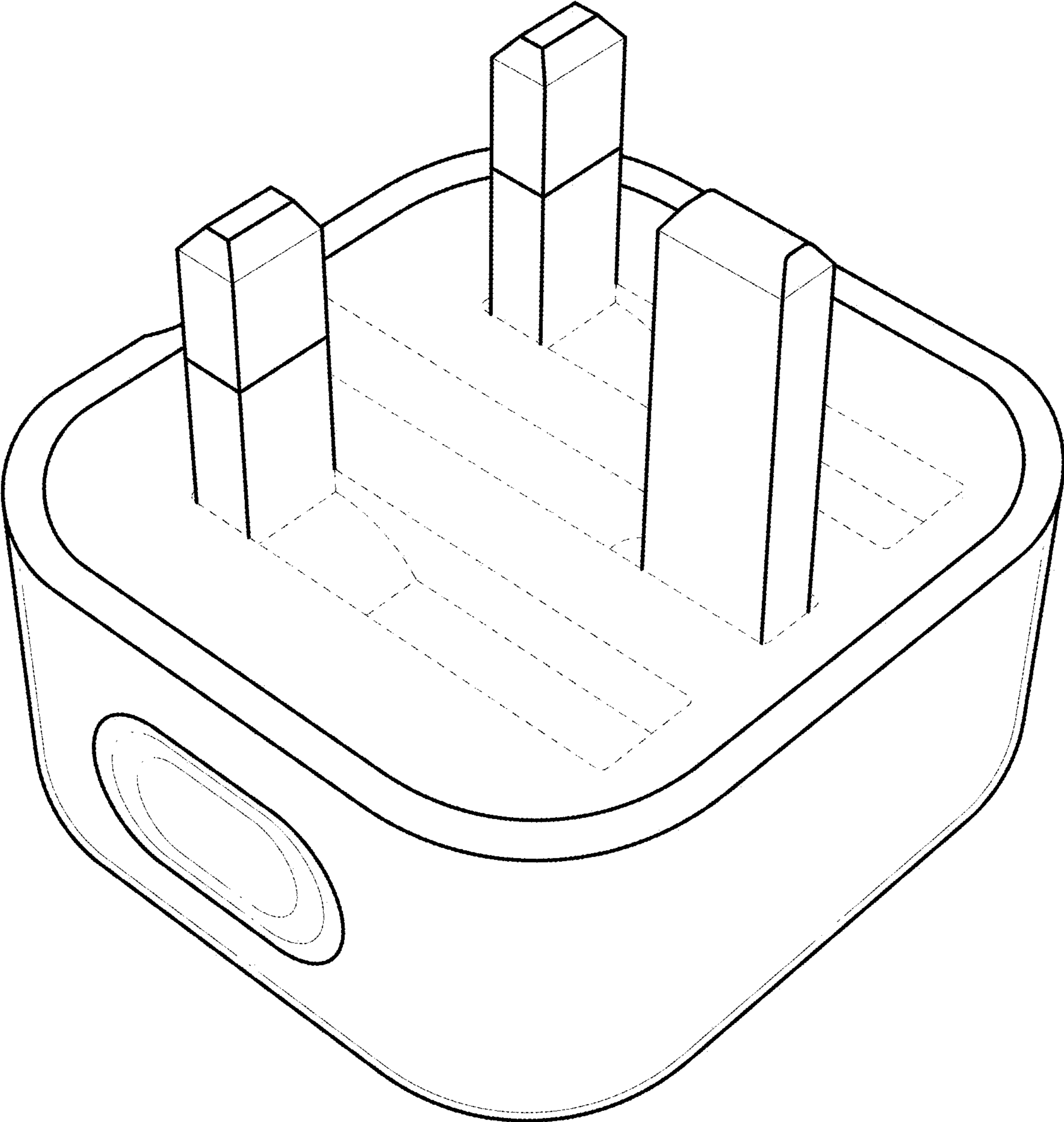


FIG. 1

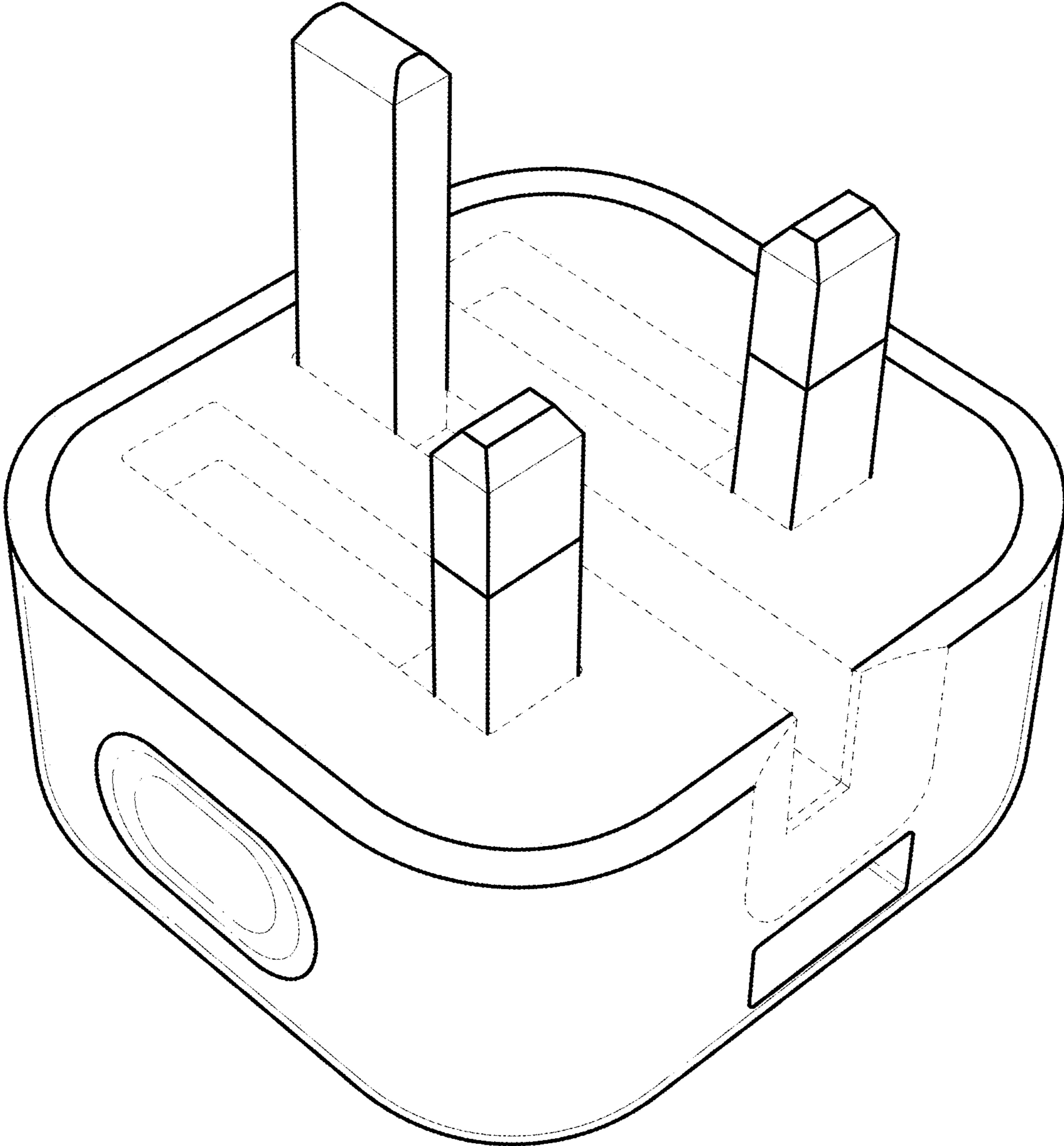


FIG. 2

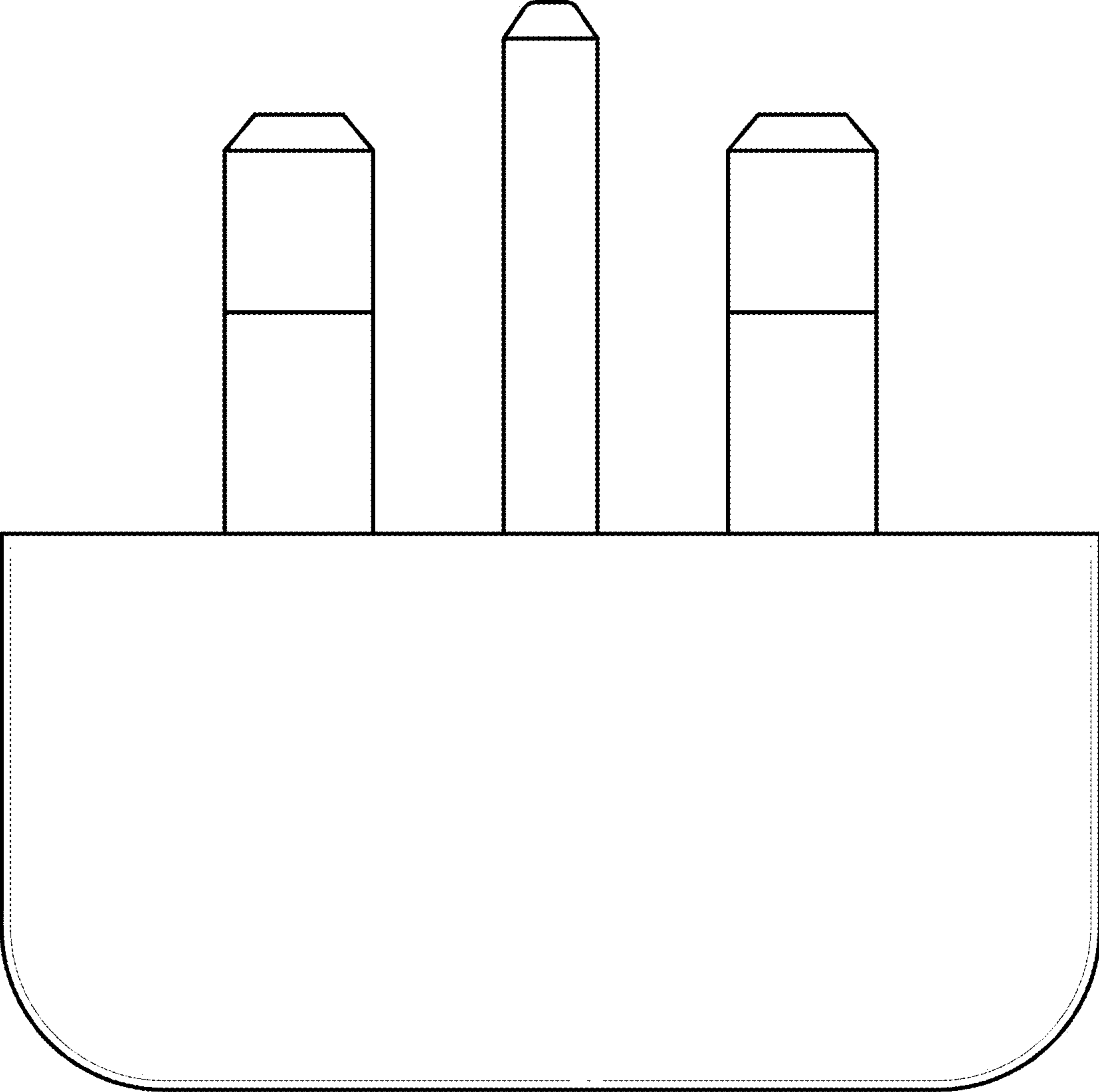


FIG. 3

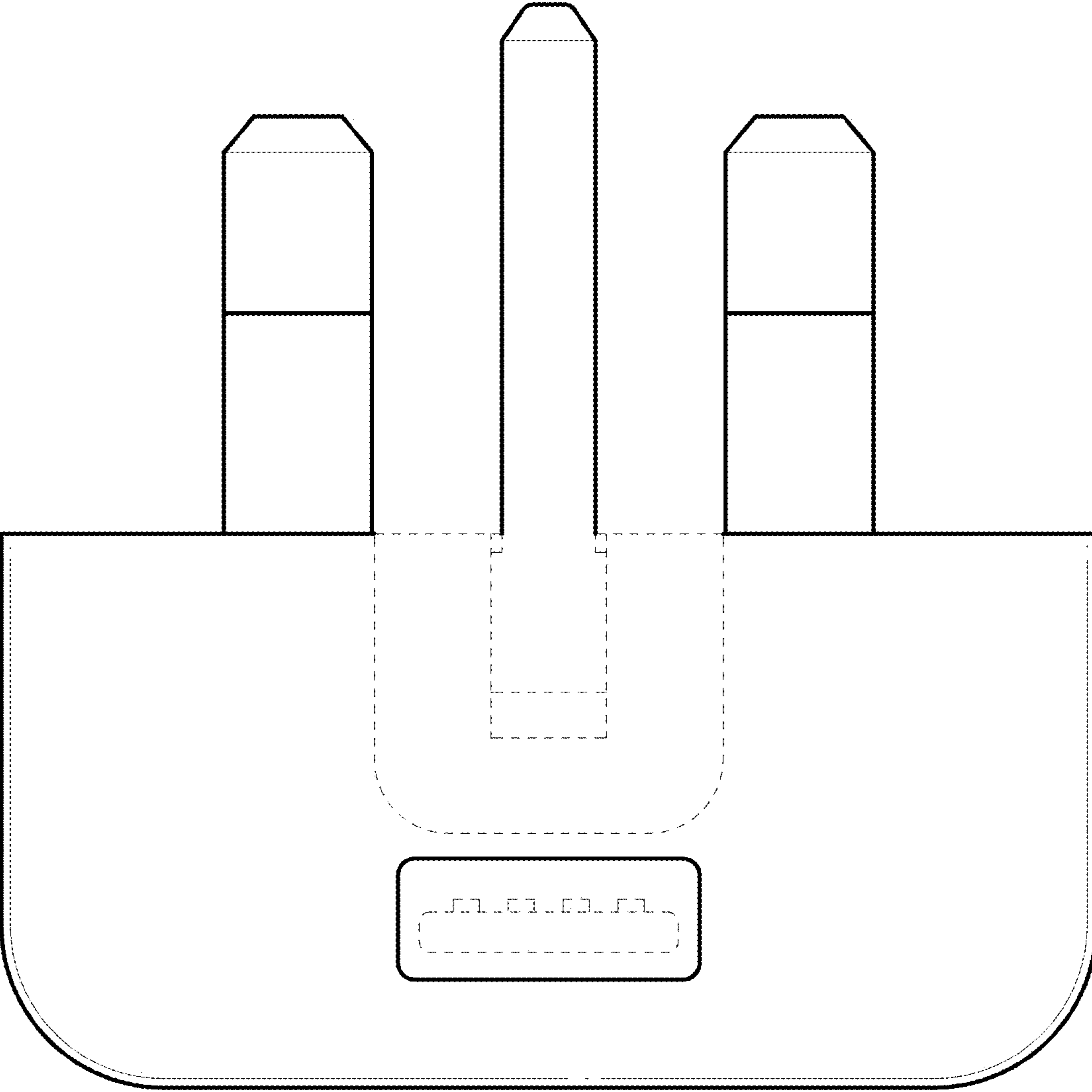


FIG. 4

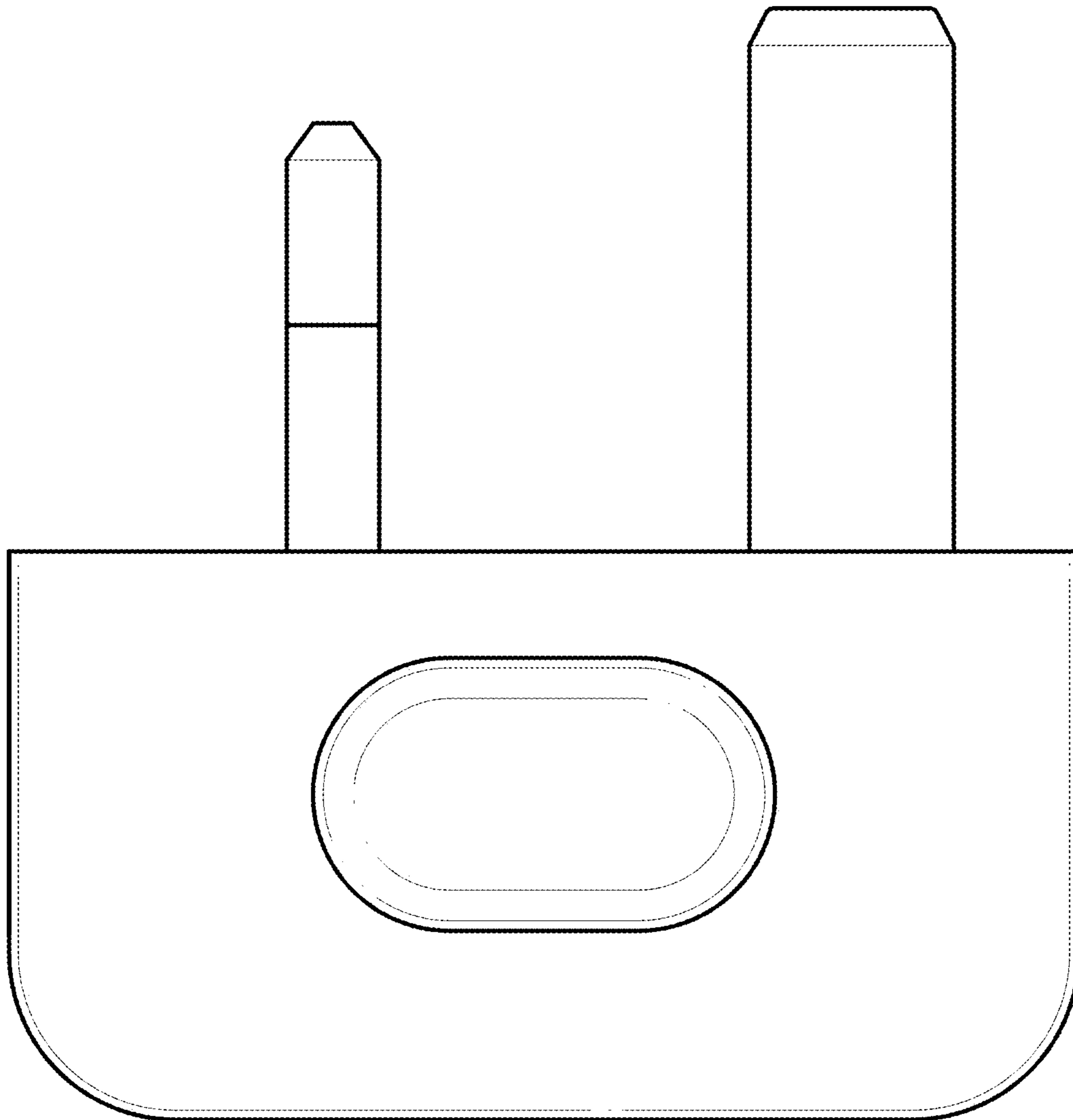


FIG. 5

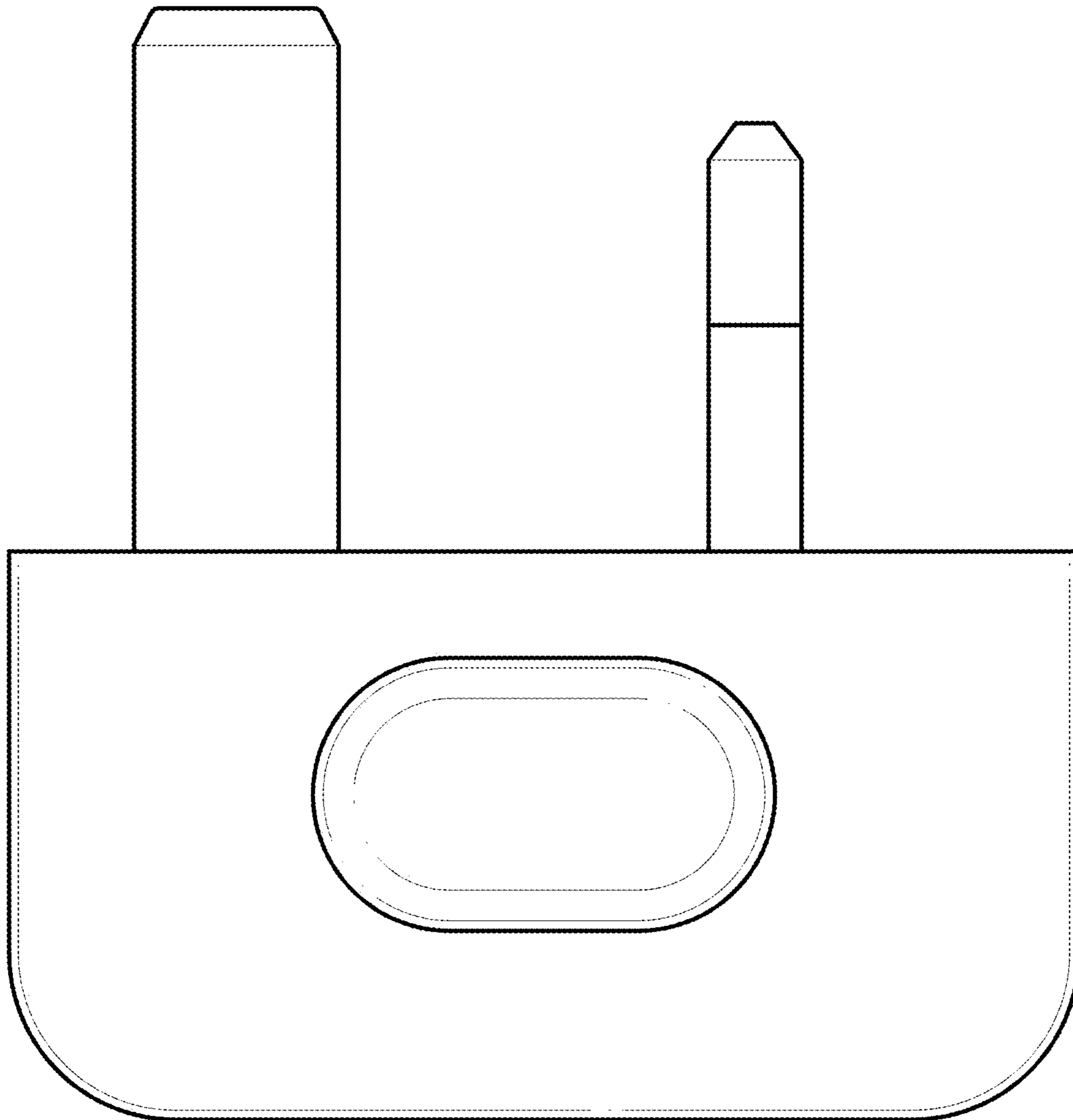


FIG. 6



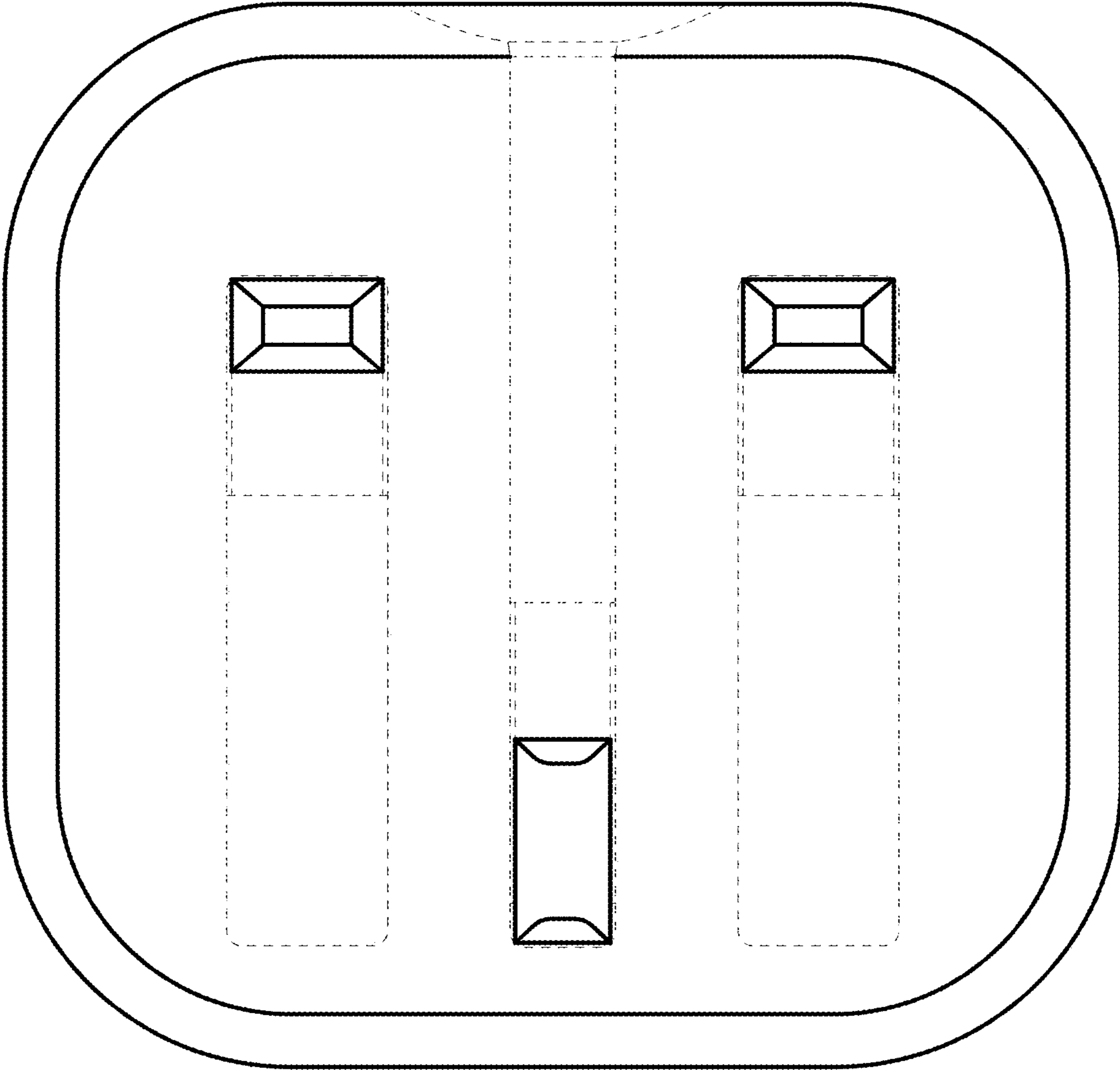
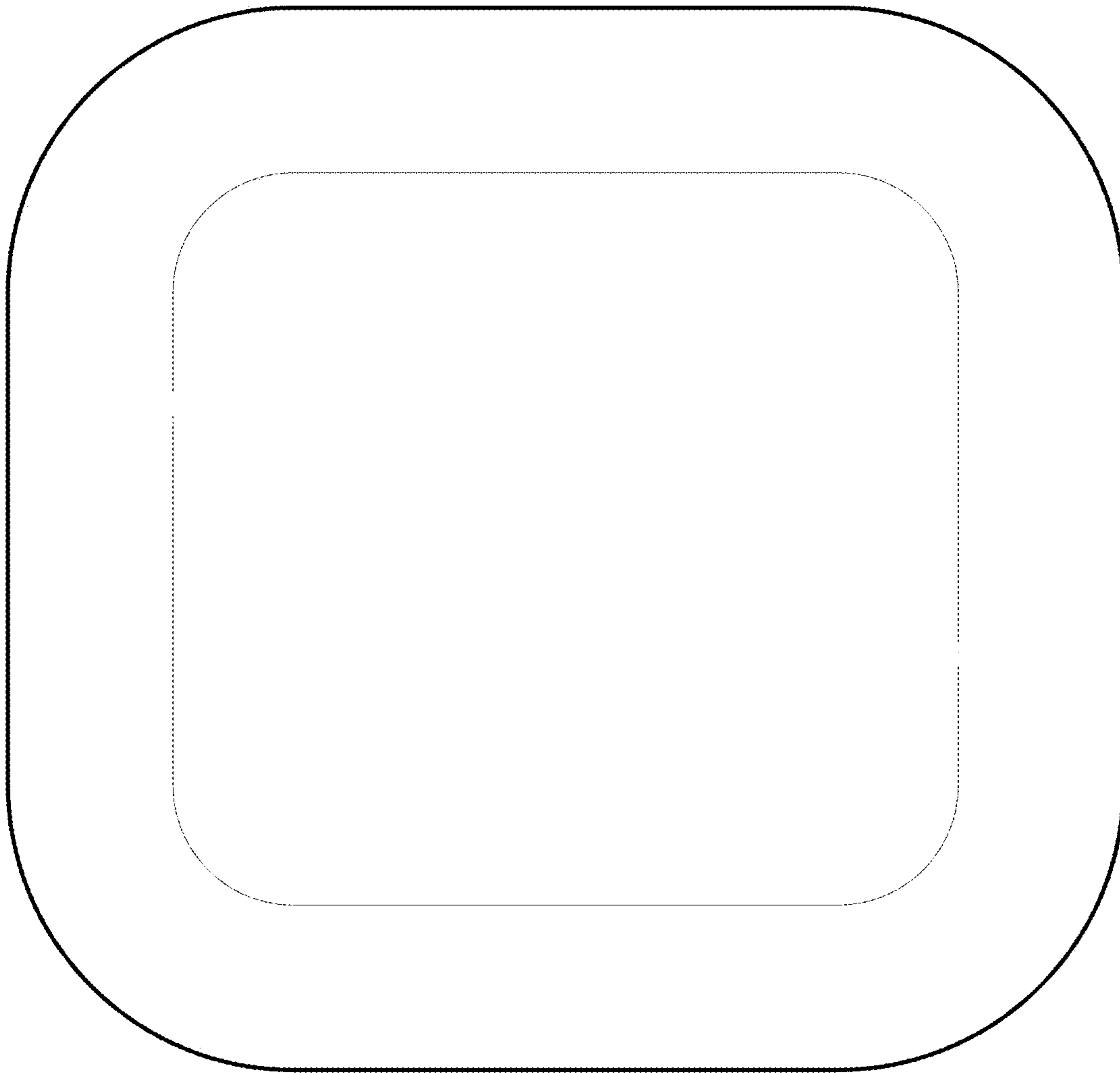


FIG. 7



**FIG. 8**

UNITED STATES PATENT AND TRADEMARK OFFICE  
**CERTIFICATE OF CORRECTION**

PATENT NO. : D899,378 S  
APPLICATION NO. : 29/700558  
DATED : October 20, 2020  
INVENTOR(S) : Akana et al.

Page 1 of 1

It is certified that error appears in the above-identified patent and that said Letters Patent is hereby corrected as shown below:

On the Title Page

In the Description item (57), Line 10, delete the following paragraph:

“The broken lines in the figures show portions of the adapter that form no part of the claimed design.”

Signed and Sealed this  
Twenty-sixth Day of January, 2021



Drew Hirshfeld  
*Performing the Functions and Duties of the  
Under Secretary of Commerce for Intellectual Property and  
Director of the United States Patent and Trademark Office*