



US00D899375S

(12) **United States Design Patent** (10) **Patent No.:** **US D899,375 S**
Bao (45) **Date of Patent:** **** Oct. 20, 2020**

(54) **POWER STRIP**

(71) Applicant: **CHIZHOU QINGLIANFENG ELECTRONICS TECHNOLOGY CO., LTD**, Chizhou (CN)

(72) Inventor: **Lamei Bao**, Chizhou (CN)

(73) Assignee: **CHIZHOU QINGLIANFENG ELECTRONICS TECHNOLOGY CO., LTD**, Chizhou (CN)

(**) Term: **15 Years**

(21) Appl. No.: **29/740,692**

(22) Filed: **Jul. 7, 2020**

(51) **LOC (12) Cl.** **13-03**

(52) **U.S. Cl.**
USPC **D13/139.8**; D13/137.2

(58) **Field of Classification Search**
USPC D13/103, 107, 108, 113, 118, 123, 133, D13/137.1–137.4, 138.1, 138.2, D13/139.1–139.7, 153, 154, 155; D14/433, 434
CPC H01R 25/006; H01R 25/165; H01R 9/00; H01R 9/22; H01R 9/226; H01R 13/00; H01R 13/03; H01R 13/04; H01R 13/10; H01R 13/35; H01R 13/502; H01R 13/631; H01R 13/6666; H01R 13/6675; H05K 5/00; H05K 5/03
See application file for complete search history.

(56) **References Cited**

U.S. PATENT DOCUMENTS

D284,758 S * 7/1986 Maloney D13/137.3
D380,733 S * 7/1997 Parshad D13/139.6
D390,190 S * 2/1998 Stekelenburg D13/139.7
D401,221 S * 11/1998 Dwight D13/139.6
D409,978 S * 5/1999 Stekelenburg D13/139.6
6,113,434 A * 9/2000 Pate H01R 25/003
439/107
D435,516 S * 12/2000 Stekelenburg D13/139.8

D443,591 S * 6/2001 Tong D13/139.8
D458,225 S * 6/2002 Stekelenburg D13/139.8
D467,875 S * 12/2002 Barger D13/139.8
D508,231 S * 8/2005 Loftus D13/139.1
D514,001 S * 1/2006 Echito D10/40
D514,517 S * 2/2006 Loftus D13/139.1
D554,064 S * 10/2007 Ng D13/139.8
D637,955 S * 5/2011 Lee D13/139.7
D644,180 S * 8/2011 Lee D13/139.8
D662,056 S * 6/2012 Lee D13/139.8

(Continued)

OTHER PUBLICATIONS

Surge Protector, Jul. 21, 2020, [online], [site visited Sep. 10, 2020], Available from Internet URL: <https://www.amazon.com/Protector-WENYIN-Extension-Multiple-Smartphone/dp/B08DC9MF21> (Year: 2020).*

(Continued)

Primary Examiner — Karen E Kearney
Assistant Examiner — Michael Chong

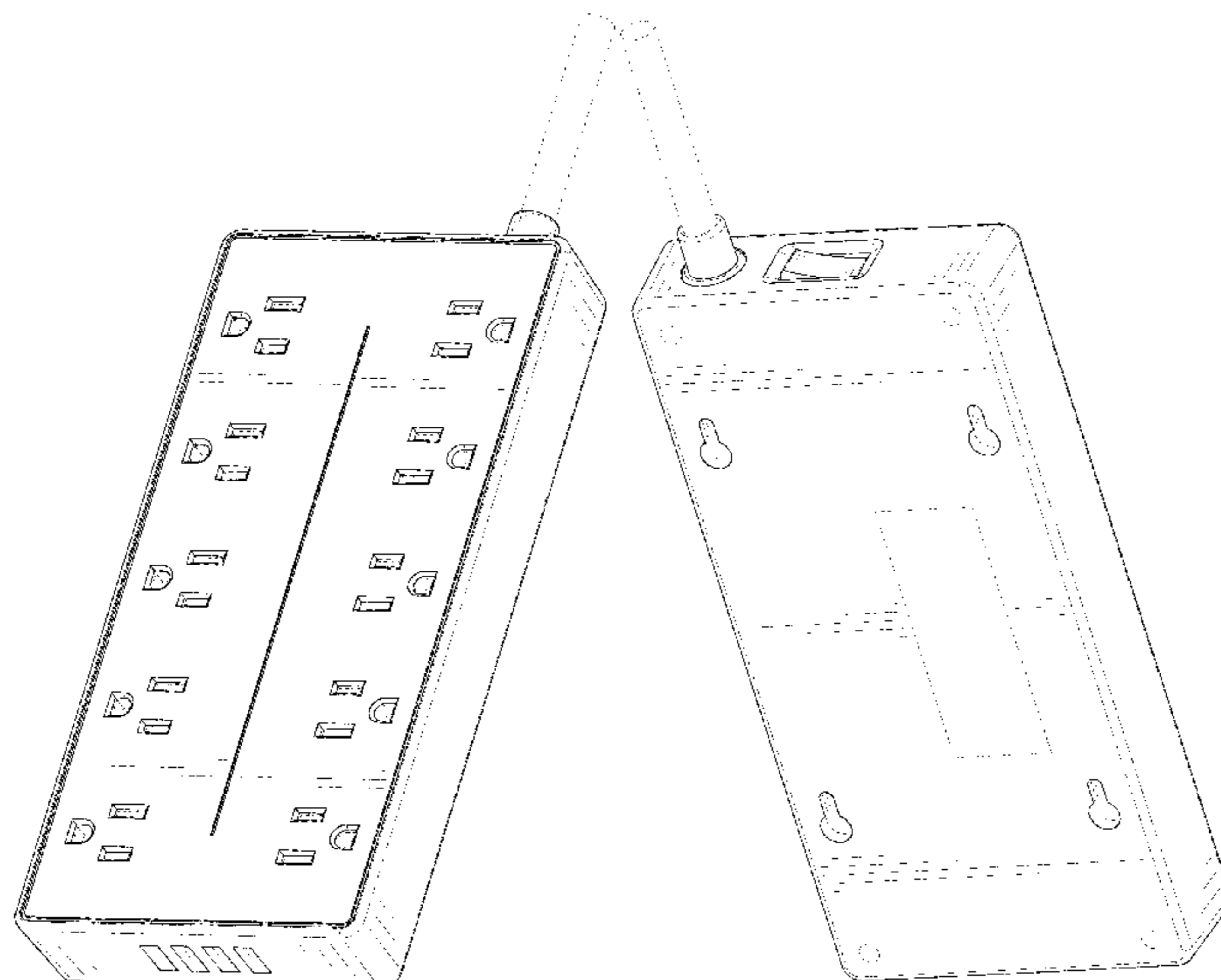
(57) **CLAIM**

The ornamental design for a power strip, as shown and described.

DESCRIPTION

FIG. 1 is a perspective view of a power strip showing my new design;
FIG. 2 is another perspective view thereof;
FIG. 3 is a front elevational view thereof;
FIG. 4 is a rear elevational view thereof;
FIG. 5 is a left side elevational view thereof;
FIG. 6 is a right side elevational view thereof;
FIG. 7 is a top plan view thereof; and,
FIG. 8 is a bottom plan view thereof.
The broken lines in the drawings depict portions of the power strip that form no part of the claimed design.

1 Claim, 8 Drawing Sheets



(56)

References Cited

U.S. PATENT DOCUMENTS

D673,503	S	*	1/2013	Lee	D13/139.8
D705,732	S	*	5/2014	Lee	D13/137.2
D775,081	S	*	12/2016	Xu	D13/139.6
D776,056	S	*	1/2017	Block	D13/137.2
D796,445	S	*	9/2017	Xu	D13/139.6
D807,827	S	*	1/2018	Lu	D13/137.2
D816,038	S	*	4/2018	Lu	D13/137.3
D816,039	S	*	4/2018	Lu	D13/139.8
D835,042	S	*	12/2018	Qiu	D13/137.2
D846,500	S	*	4/2019	Xu	D13/137.4
D852,138	S	*	6/2019	Wen	D13/137.1
D864,874	S		10/2019	Xu		
D867,998	S		11/2019	Gorretta et al.		
D881,821	S	*	4/2020	Lyu		
D883,934	S	*	5/2020	Yu	D13/139.8

OTHER PUBLICATIONS

Flat Power Strip, Jun. 10, 2020, [online], [site visited Mar. 19, 2020], Available from Internet URL: <https://www.amazon.com/dp/B089YBGK7C> (Year: 2020).*

* cited by examiner

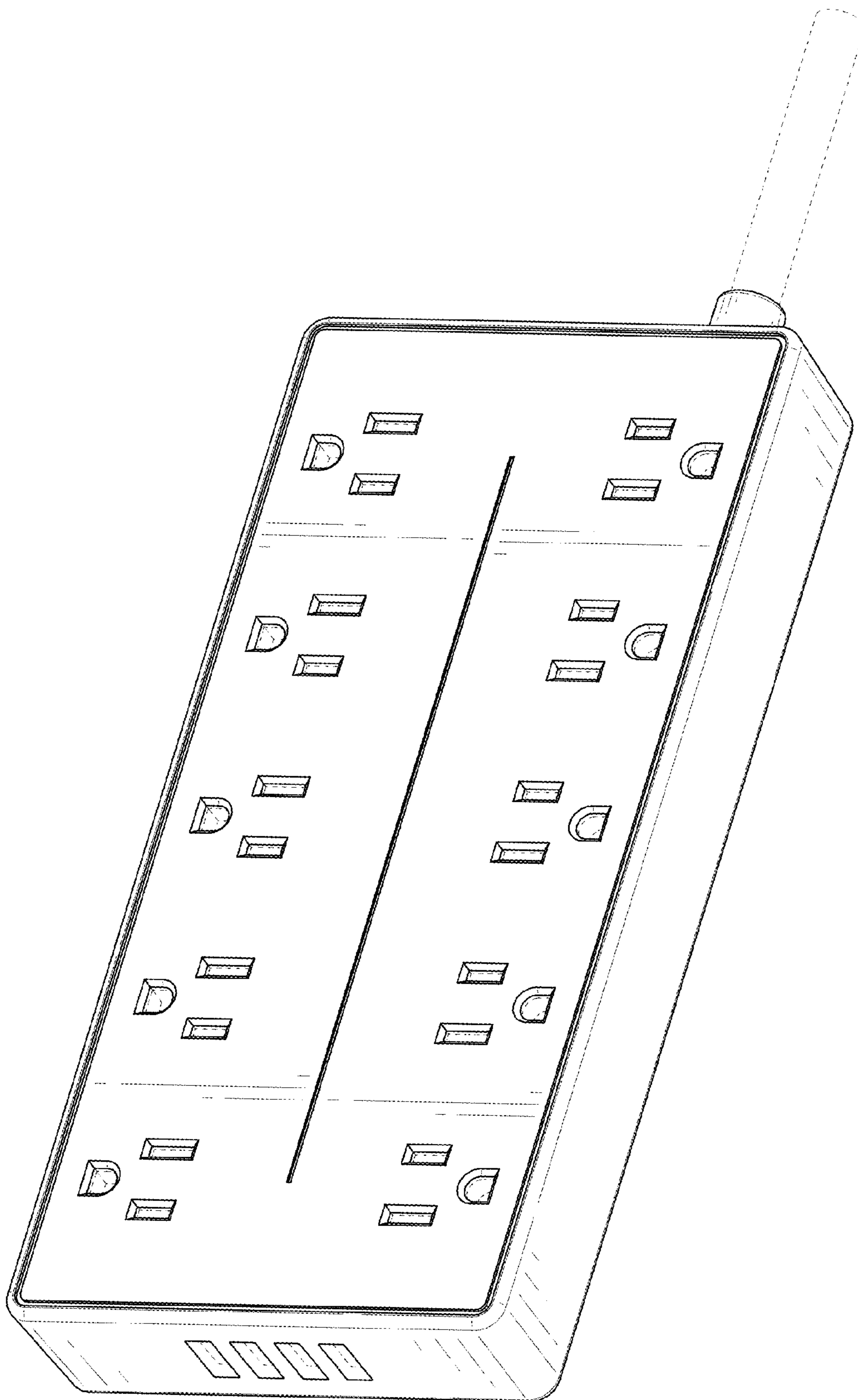


FIG. 1

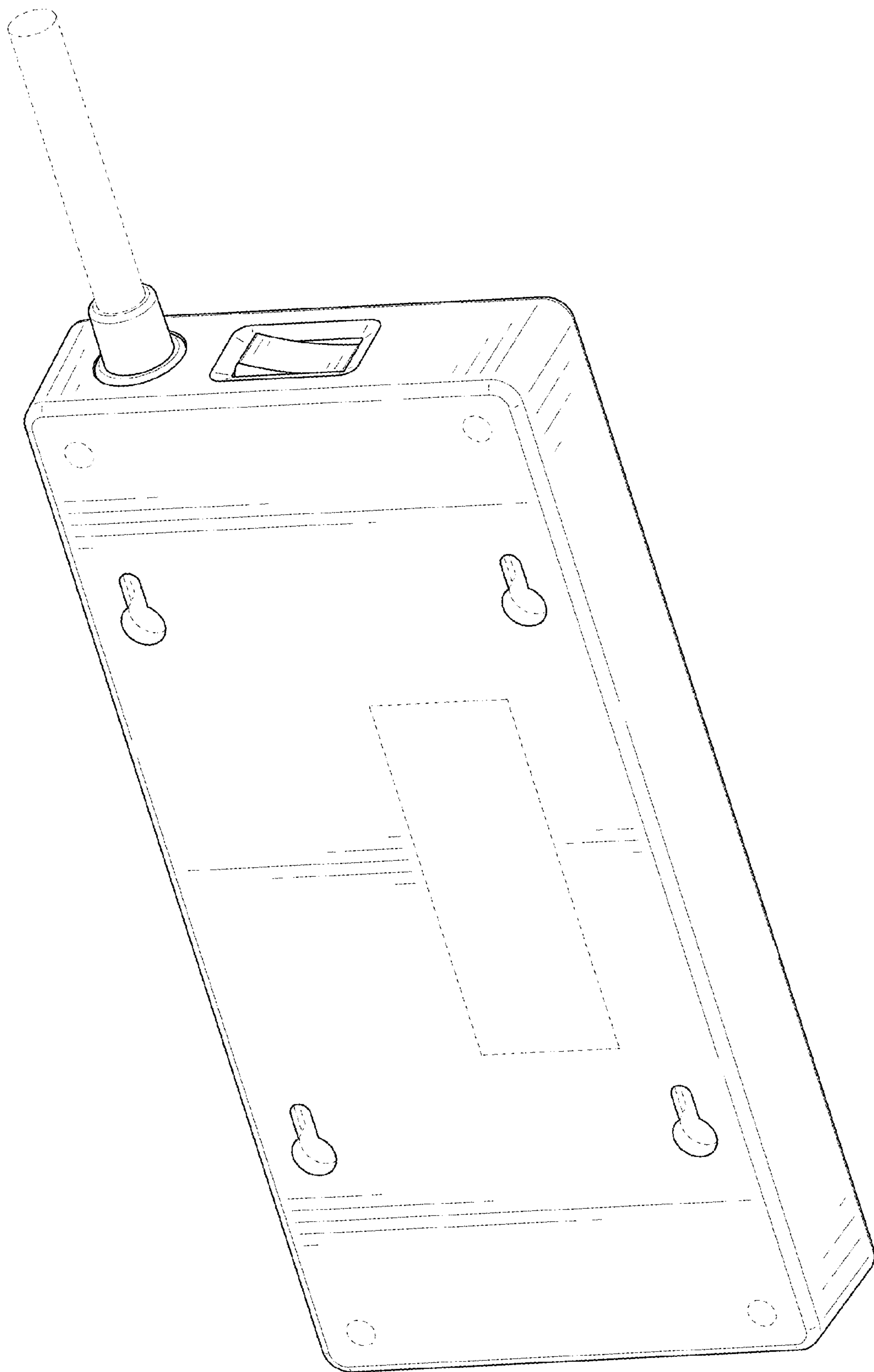


FIG. 2

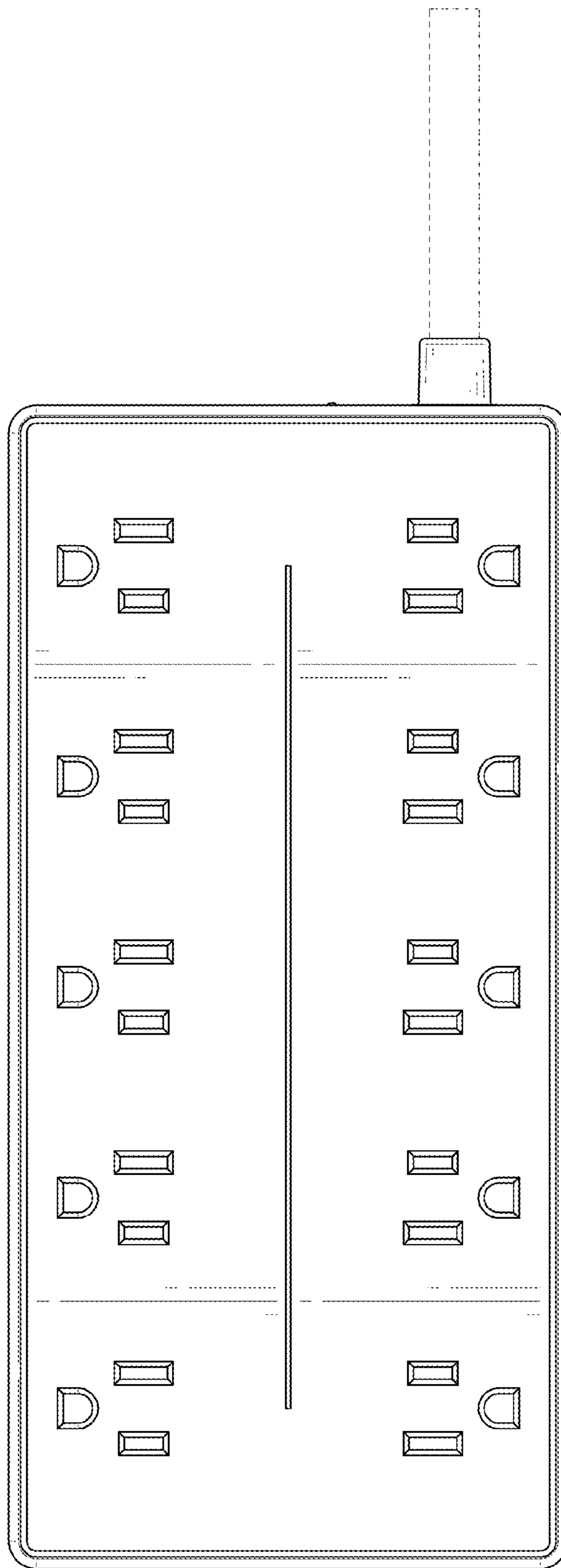


FIG. 3

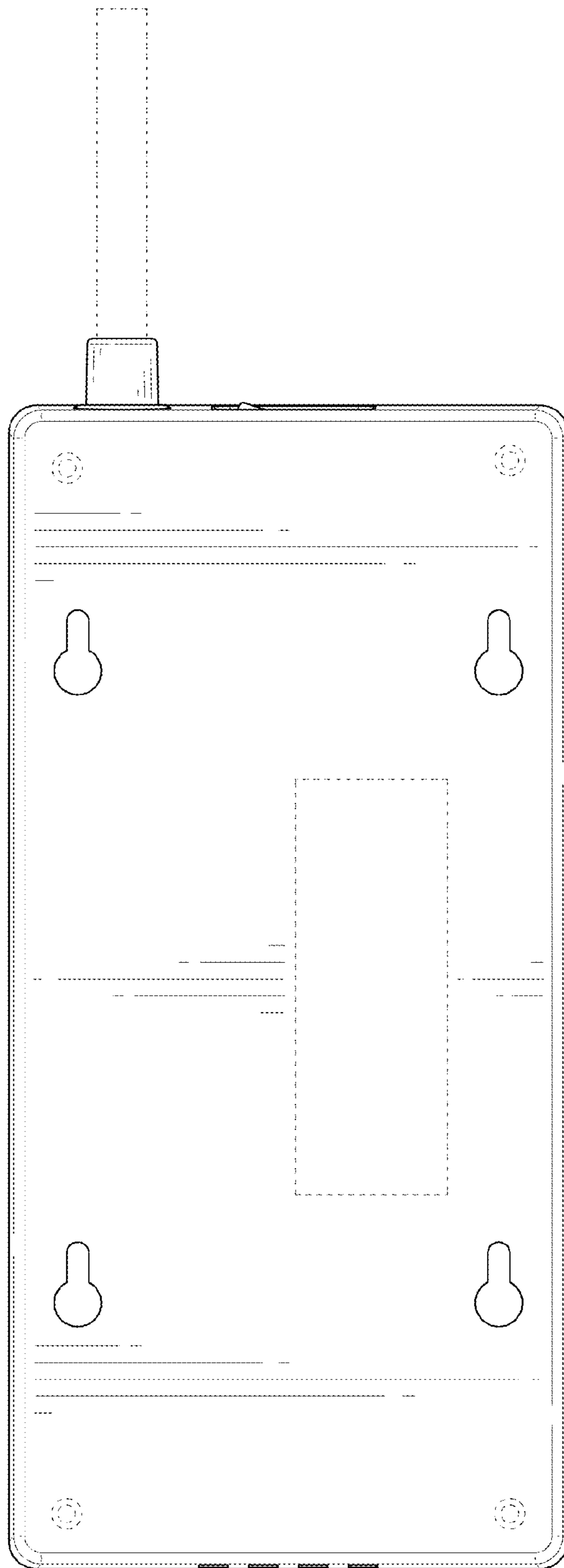


FIG. 4

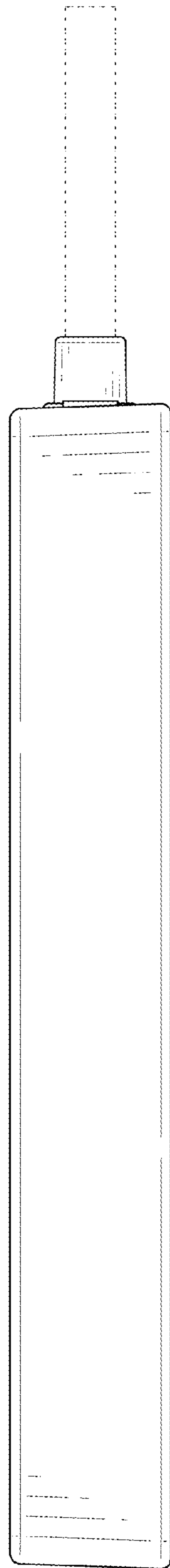


FIG. 5

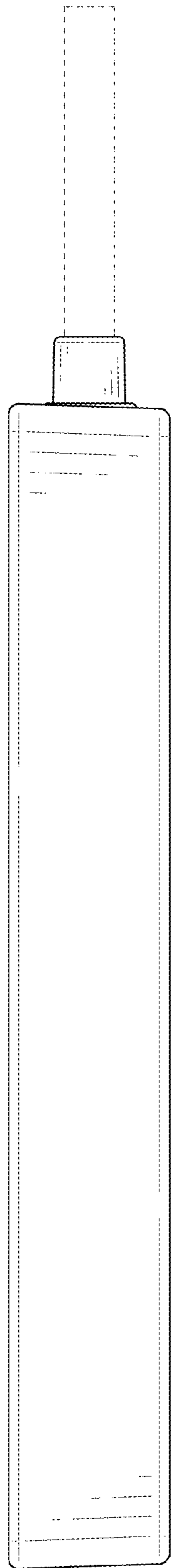


FIG. 6

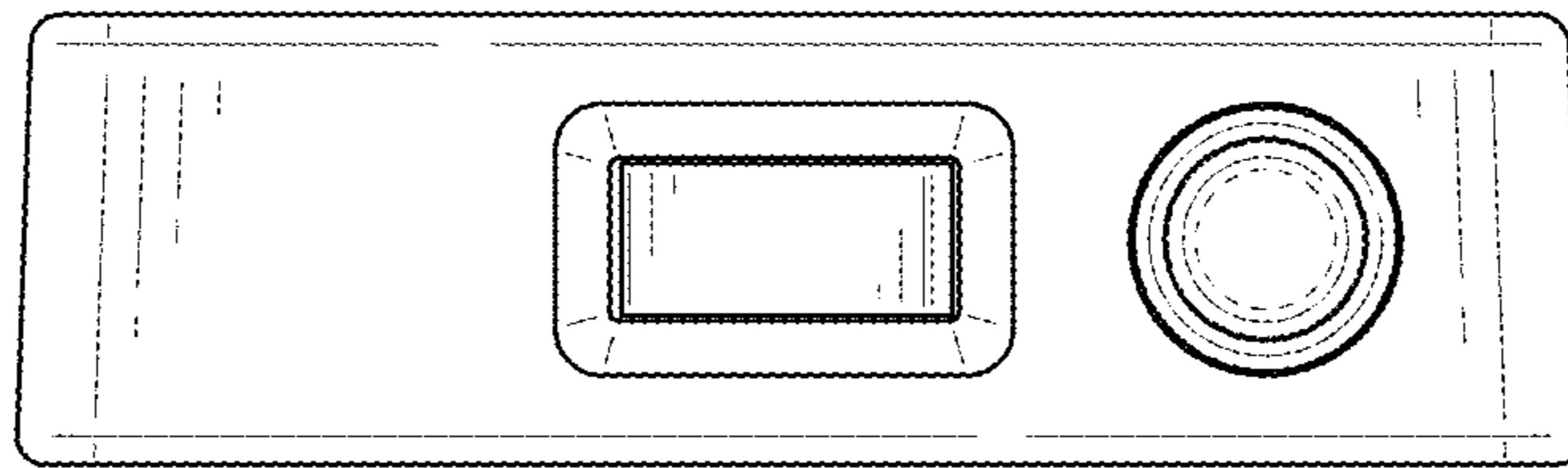


FIG. 7

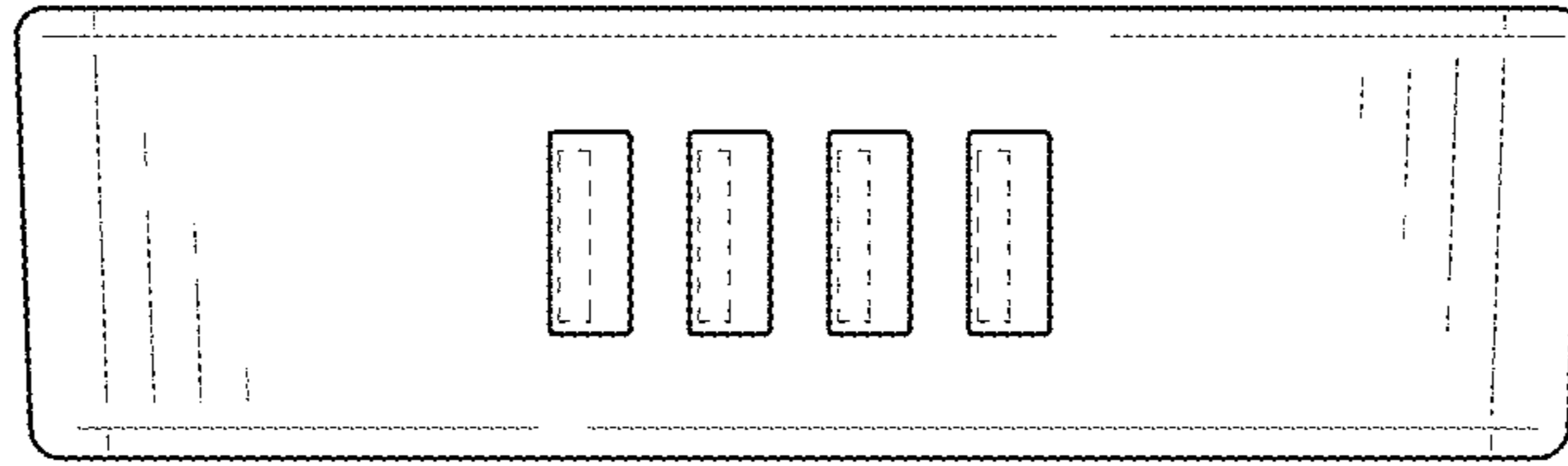


FIG. 8