



US00D899373S

(12) **United States Design Patent**
Xu

(10) **Patent No.:** **US D899,373 S**
(45) **Date of Patent:** **** Oct. 20, 2020**

(54) **PLUG ADAPTER**

(71) Applicant: **Guangdong BESTEK E-commerce Co., Ltd.**, Shenzhen (CN)

(72) Inventor: **Xinhua Xu**, Shenzhen (CN)

(73) Assignee: **GUANGDONG BESTEK E-COMMERCE CO., LTD.**, Shenzhen (CN)

(**) Term: **15 Years**

(21) Appl. No.: **29/678,244**

(22) Filed: **Jan. 28, 2019**

(30) **Foreign Application Priority Data**

Oct. 19, 2018 (CN) 2018 3 0585873

(51) **LOC (12) Cl.** **13-03**

(52) **U.S. Cl.**
USPC **D13/138.1**

(58) **Field of Classification Search**
USPC D13/107, 108, 110, 133, 137.1, 137.2, D13/137.3, 137.4, 138.1, 138.2, 139.1, D13/139.2, 139.3, 139.4, 139.6, 139.7, D13/139.8, 146, 154, 156, 158, 177, 184, D13/199; D14/432, 433
CPC H01R 13/46; H01R 24/76; H01R 13/44
See application file for complete search history.

(56) **References Cited**

U.S. PATENT DOCUMENTS

D653,208 S * 1/2012 Au D13/108
D755,127 S * 5/2016 Wong D13/137.2
D788,709 S * 6/2017 Yeo D13/137.2
D834,516 S * 11/2018 Jin D13/108
D835,042 S * 12/2018 Qiu D13/137.2

D848,947 S * 5/2019 Liu D13/137.2
D858,447 S * 9/2019 Chen D13/137.2
D867,996 S * 11/2019 Chen D13/137.2
D871,342 S * 12/2019 Liu D13/137.2
2011/0009003 A1* 1/2011 Youssefi-Shams H01R 13/71
439/628
2015/0280373 A1* 10/2015 Furukawa H01R 24/44
439/578
2019/0288437 A1* 9/2019 Hasan H01R 13/502
2019/0341731 A1* 11/2019 Barnett H01R 13/46

OTHER PUBLICATIONS

“VCT Plug Adapter”. Found online Jun. 10, 2020 at amazon.com. Reference dated Feb. 20, 2007. Retrieved from https://www.amazon.com/VCT-VP18-Adapter-Converts-Grounded/dp/B000NND600/ref=pd_di_sccai_1/132-8872043-7311067. (Year: 2007).*

(Continued)

Primary Examiner — Kendra Leslie Hamilton
Assistant Examiner — Amanda Christensen

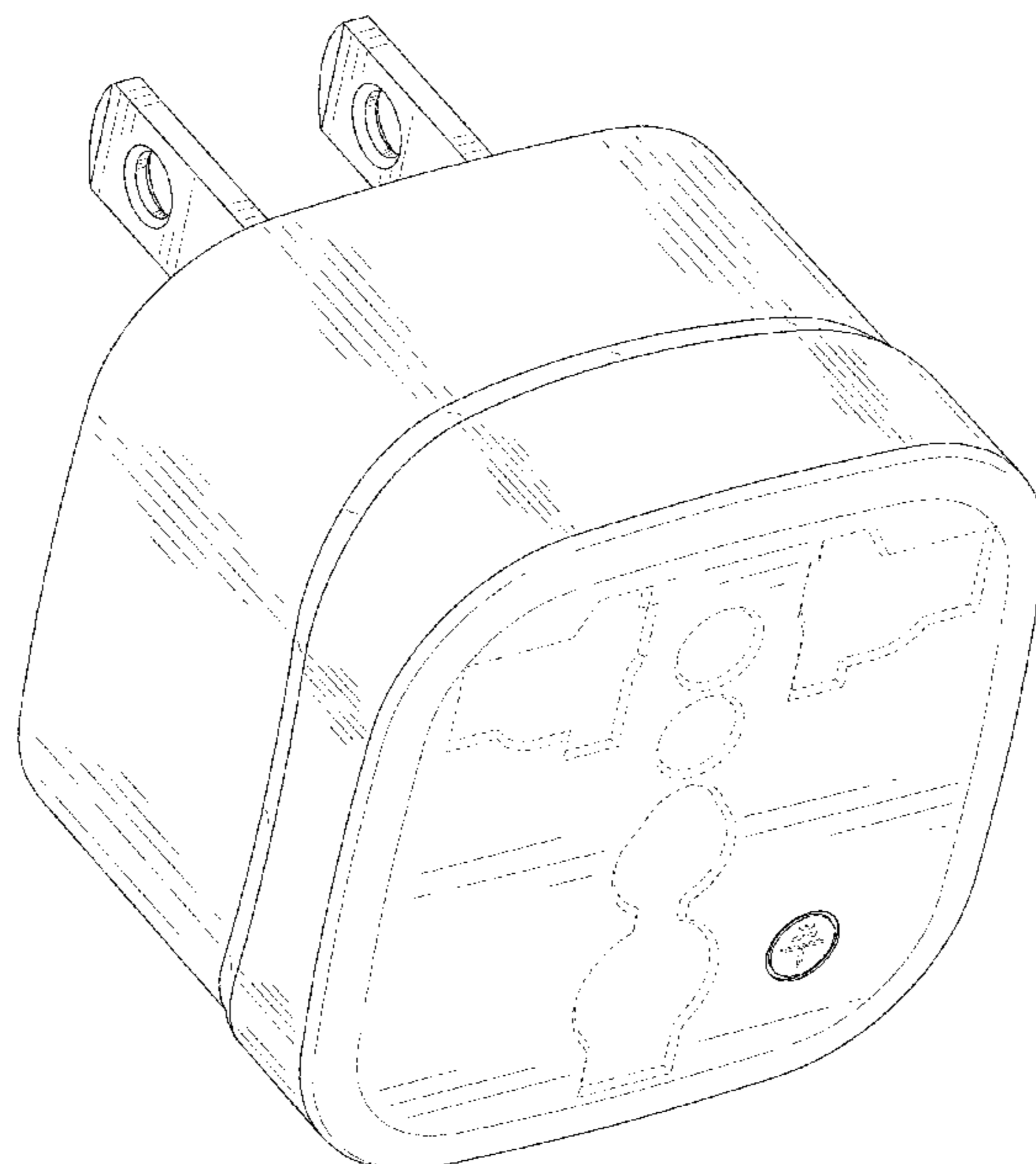
(57) **CLAIM**

The ornamental design for a plug adapter, as shown and described.

DESCRIPTION

FIG. 1 is a front, right, top perspective view of a plug adapter showing my new design;
FIG. 2 is rear, left, top perspective view thereof;
FIG. 3 is a front elevational view thereof;
FIG. 4 is a rear elevational view thereof;
FIG. 5 is a left side elevational view thereof;
FIG. 6 is a right side elevational view thereof;
FIG. 7 is a top plan view thereof; and,
FIG. 8 is a bottom plan view thereof.
The broken lines depict portions of the plug adapter that form no part of the claimed design.

1 Claim, 8 Drawing Sheets



(56)

References Cited

OTHER PUBLICATIONS

“Ceptics Travel Adapter Plug”. Found online Apr. 21, 2020 at amazon.com. Reference dated Jan. 20, 2017. Retrieved from https://www.amazon.com/Ceptics-European-Adapter-Adaptor-Charger/dp/B01NCZJ5UN?ref=ast_sto_dp. (Year: 2017).*

“Prime Wire Outlet”. Found online Jun. 11, 2020 at amazon.com. Reference dated Apr. 5, 2010. Retrieved from https://www.amazon.com/Prime-PB802105-Outlet-Joule-Service/dp/B003DKJ2U8/ref=pd_sbs_23_5/132-8872043-7311067. (Year: 2010).*

“SublimeWare Travel Plug”. Found online Jun. 10, 2020 at amazon.com. Reference dated Nov. 30, 2016. Retrieved from https://www.amazon.com/dp/B01N59M473/ref=sspa_dk_detail_0?th=1. (Year: 2016).*

* cited by examiner

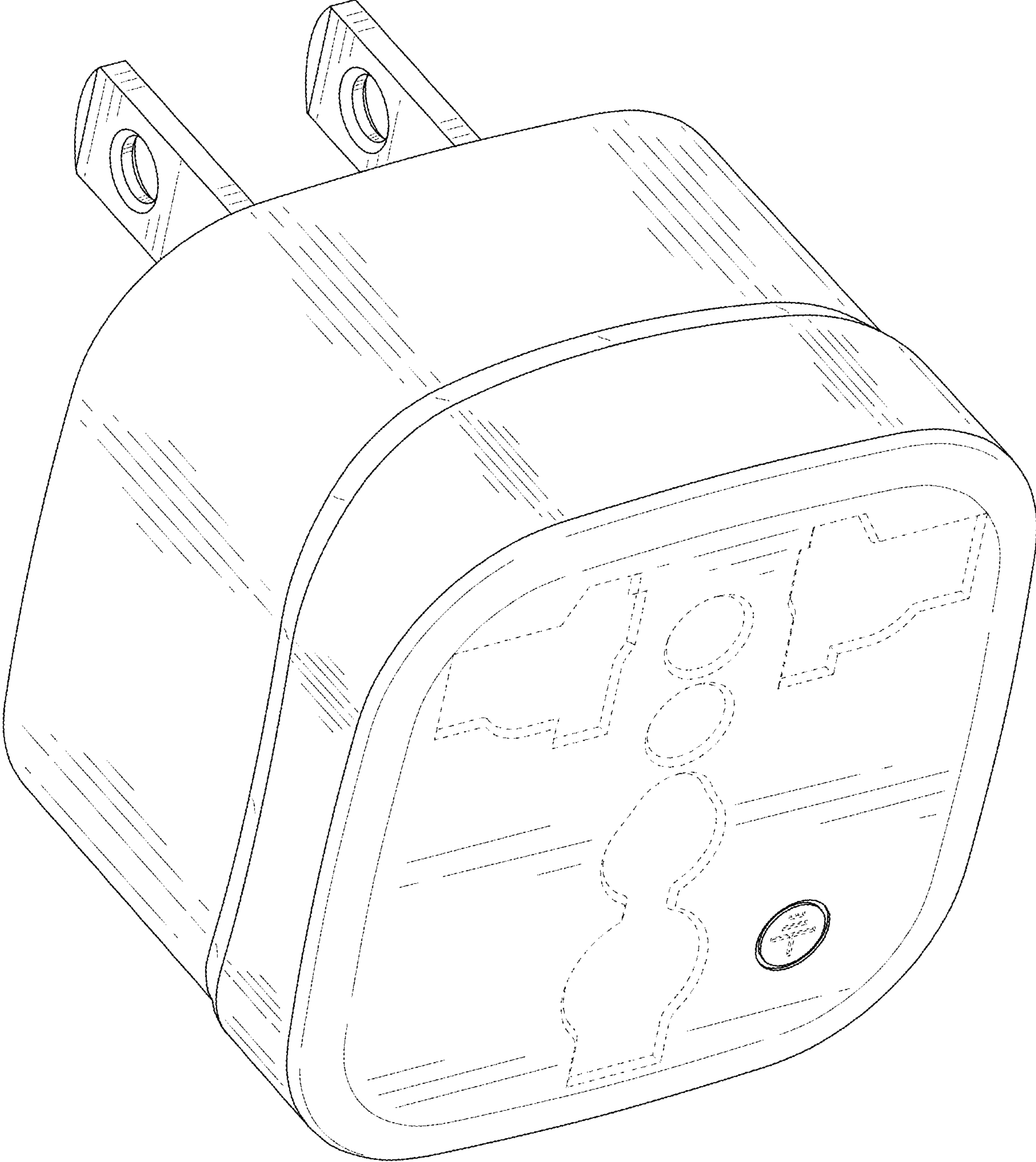


FIG. 1

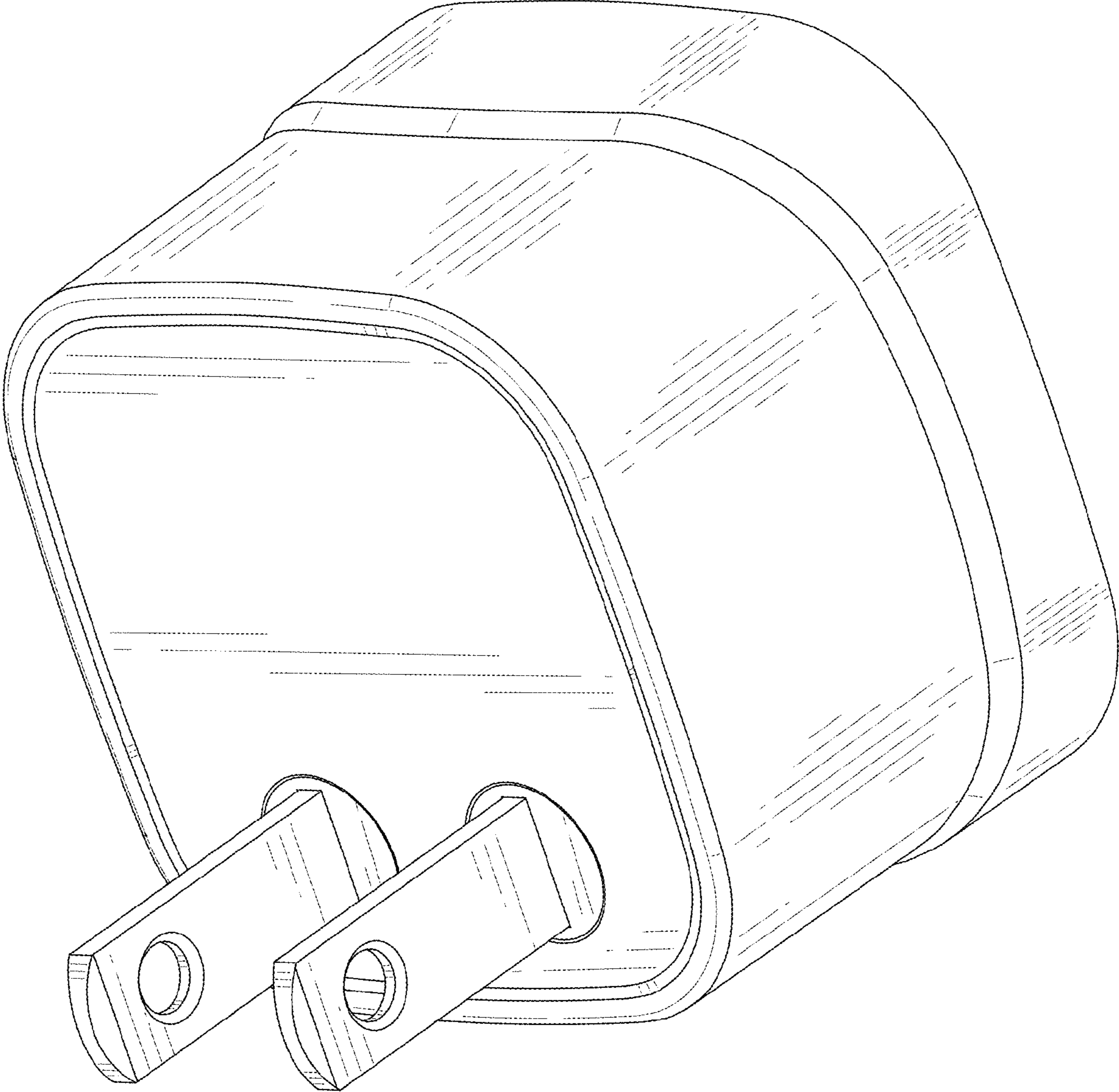


FIG. 2

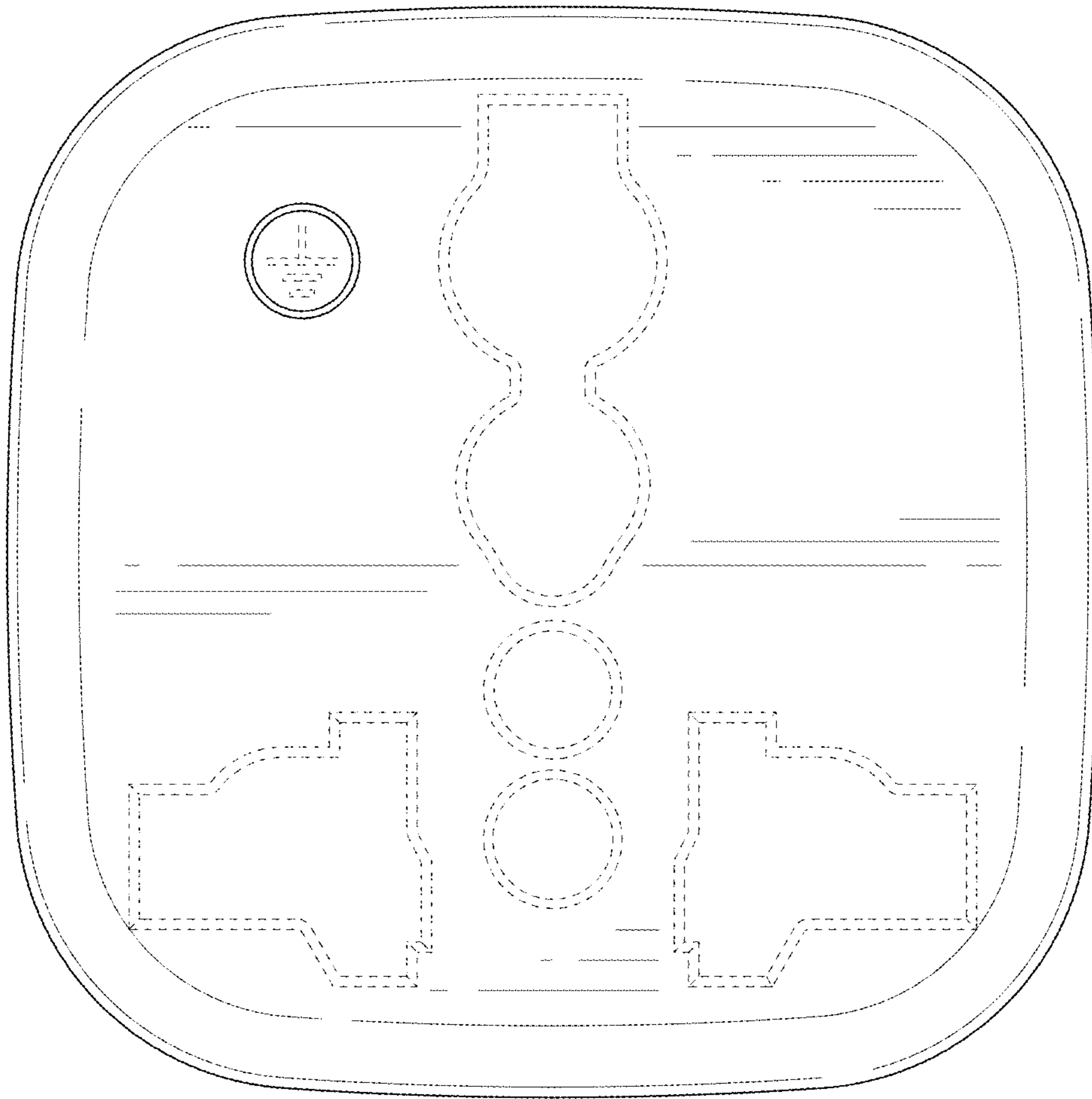


FIG. 3

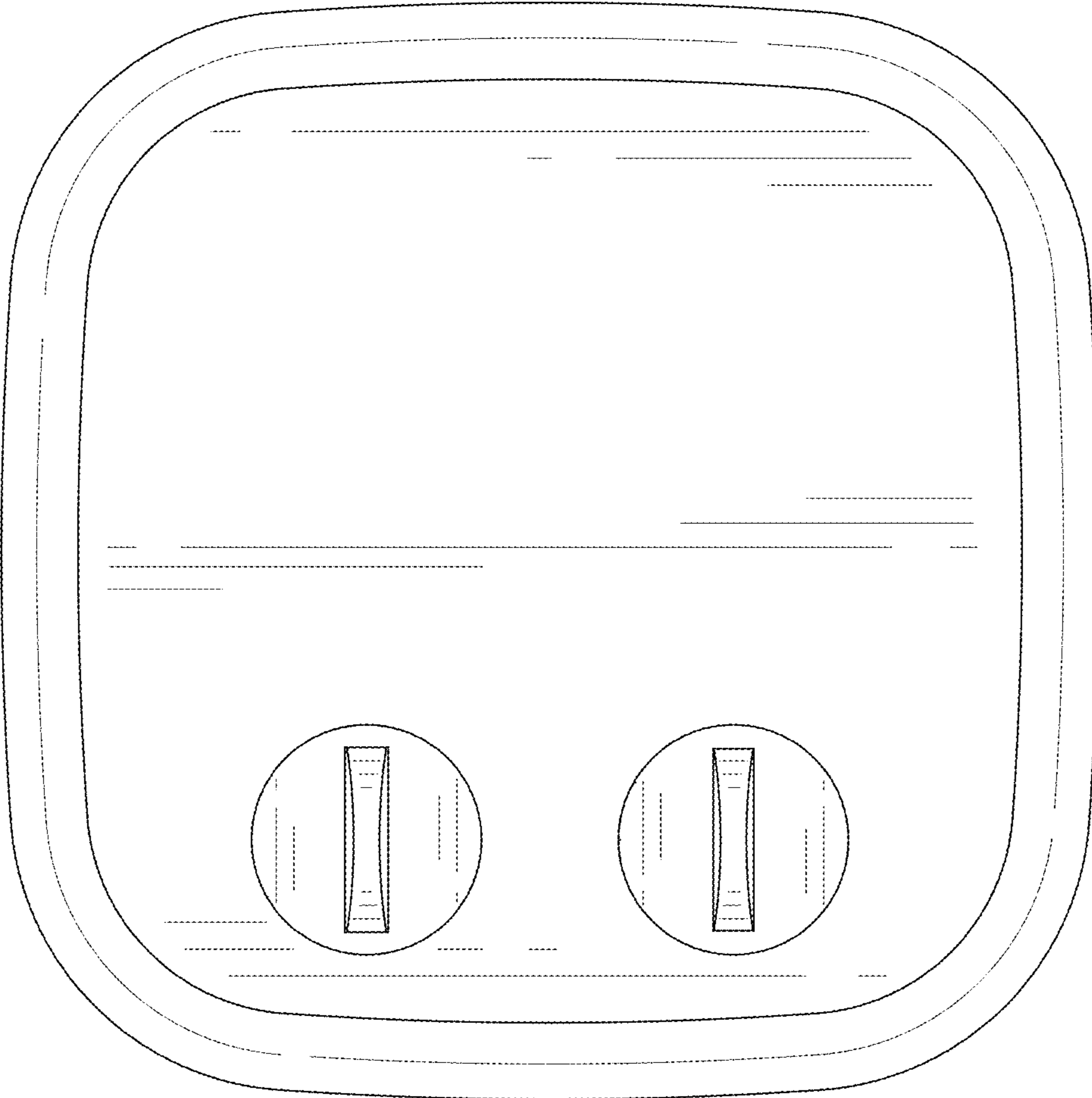


FIG. 4

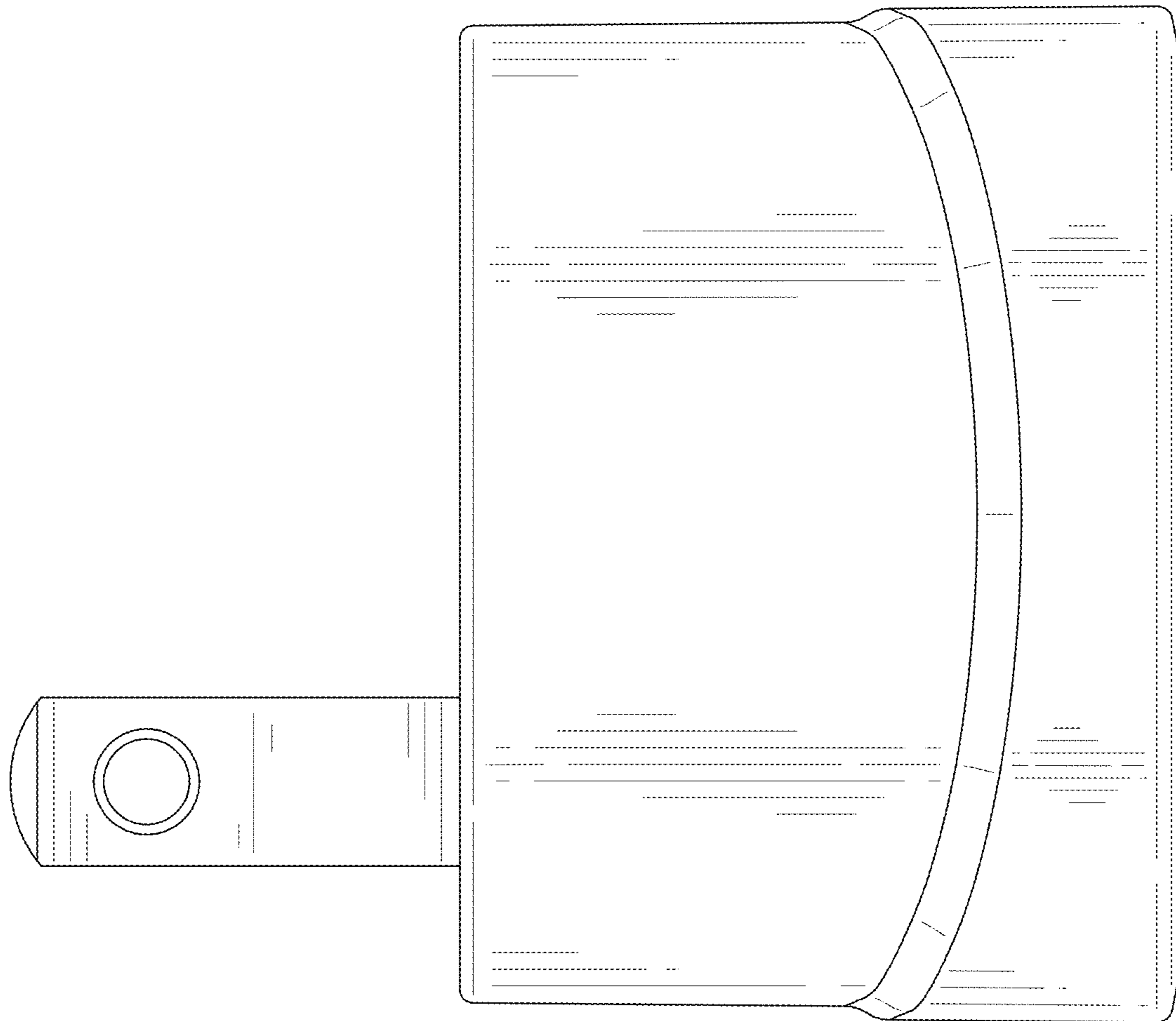


FIG. 5

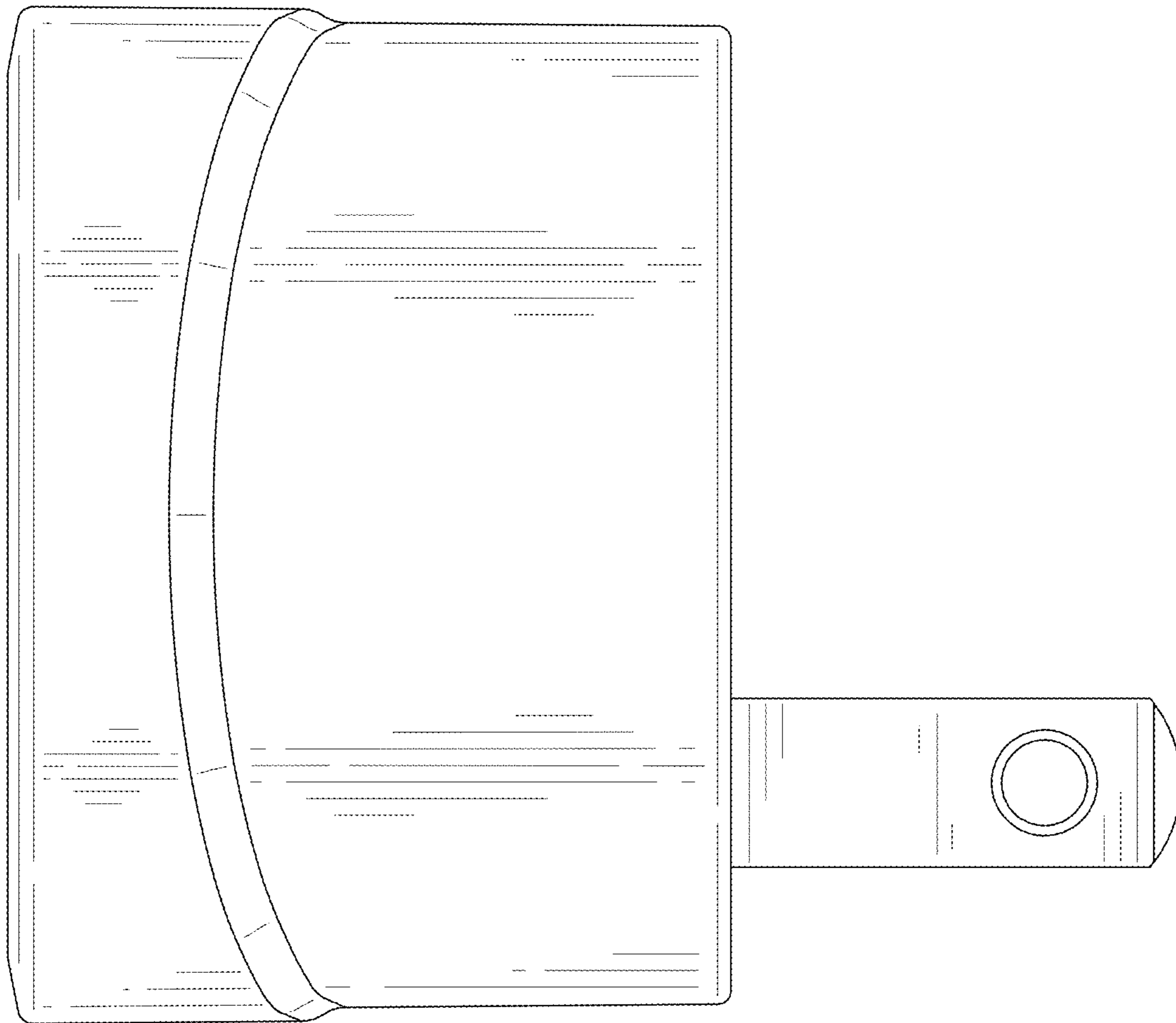


FIG. 6

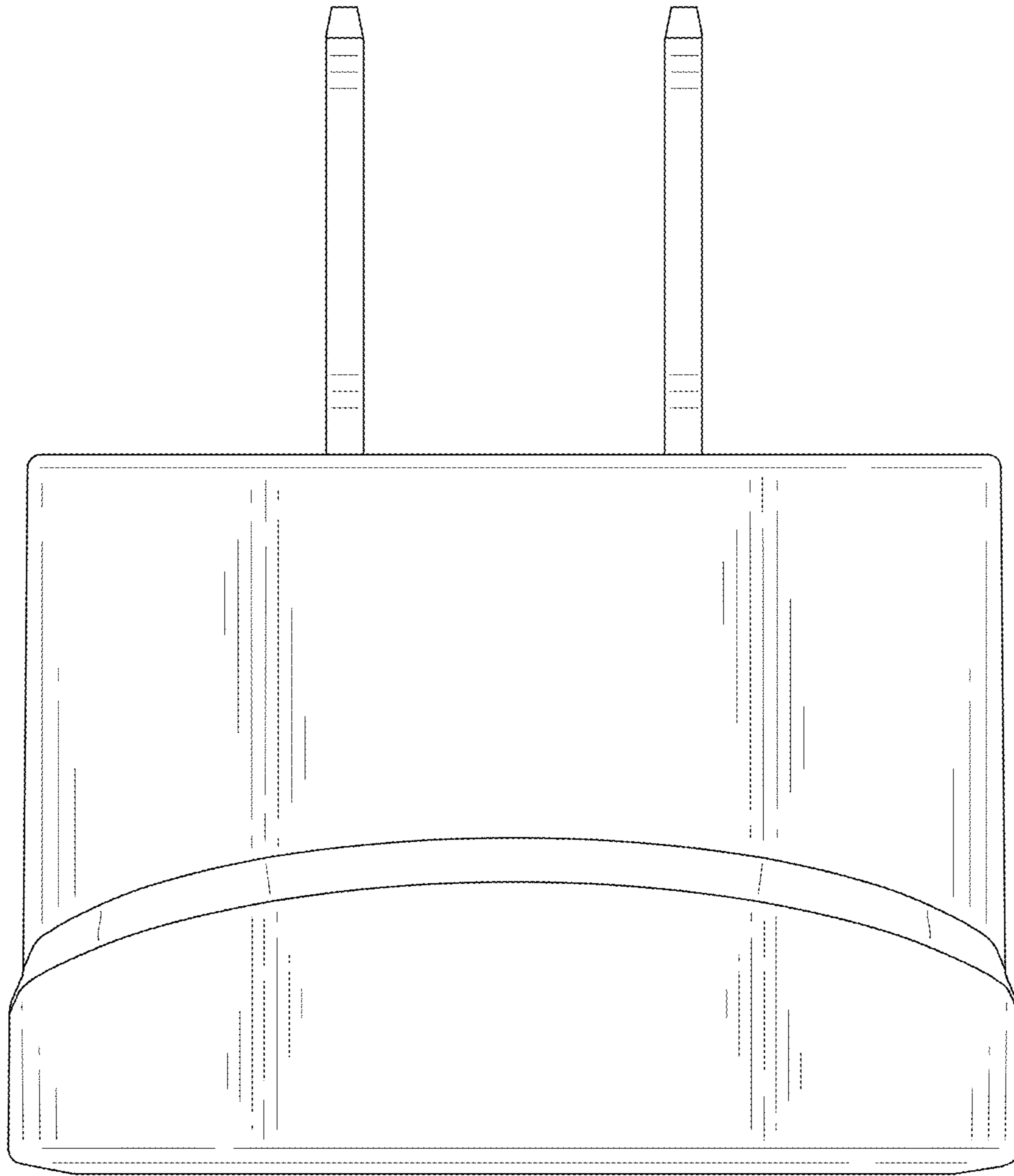


FIG. 7

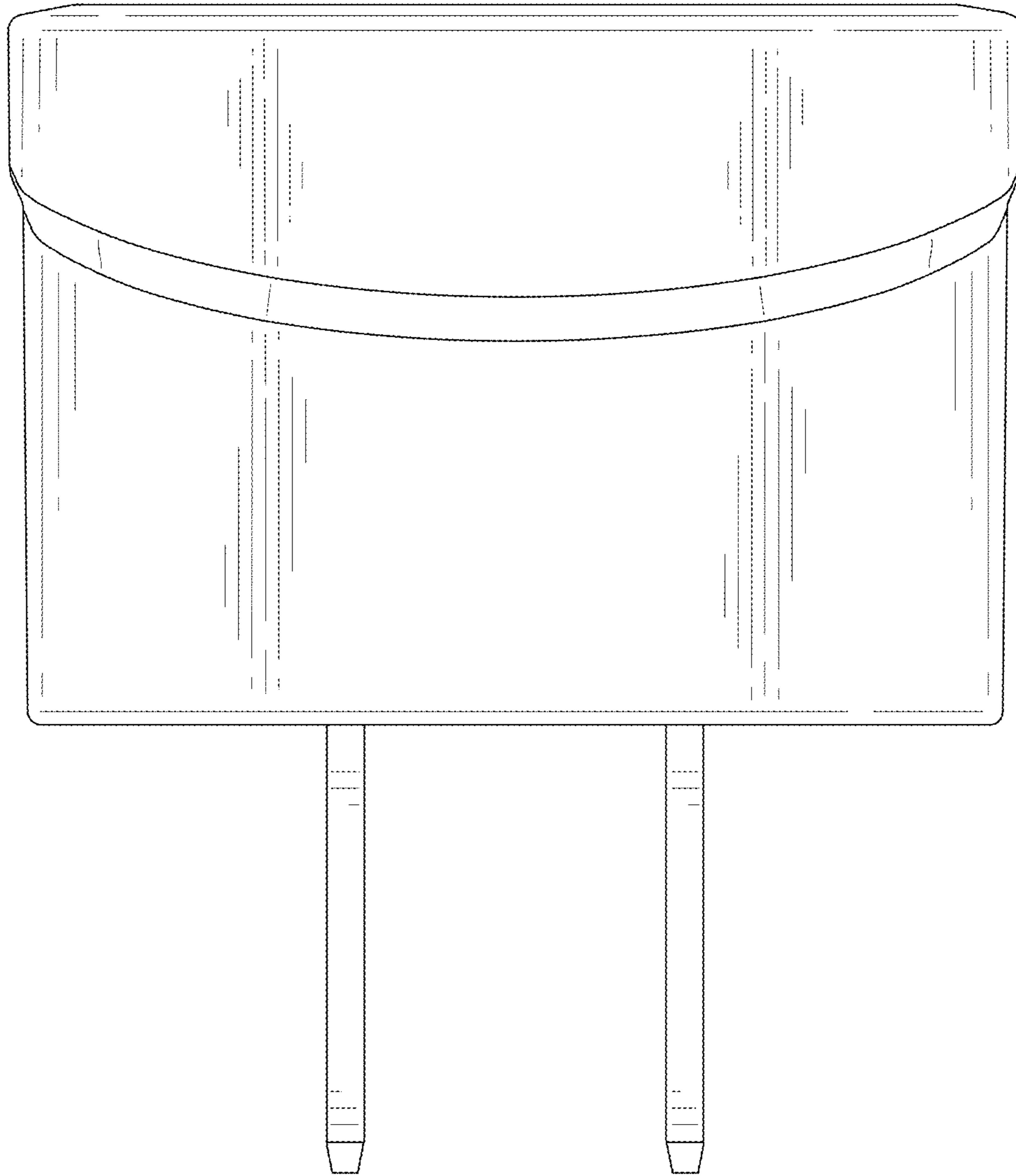


FIG. 8