



US00D899372S

(12) **United States Design Patent** (10) **Patent No.:** **US D899,372 S**
Xu (45) **Date of Patent:** **** Oct. 20, 2020**

(54) **PLUG ADAPTER**

(71) Applicant: **Guangdong BESTEK E-commerce Co., Ltd.**, Shenzhen (CN)
(72) Inventor: **Xinhua Xu**, Shenzhen (CN)
(73) Assignee: **GUANGDONG BESTEK E-COMMERCE CO., LTD.**, Shenzhen (CN)
(**) Term: **15 Years**

(21) Appl. No.: **29/682,501**
(22) Filed: **Mar. 6, 2019**

(30) **Foreign Application Priority Data**

Nov. 20, 2018 (CN) 2018 3 0660203

(51) **LOC (12) Cl.** **13-03**

(52) **U.S. Cl.**
USPC **D13/137.2**

(58) **Field of Classification Search**
USPC D13/107, 108, 110, 133, 137.1, 137.2, D13/137.3, 137.4, 138.1, 138.2, 139.1, D13/139.2, 139.3, 139.4, 139.6, 139.7, D13/139.8, 146, 154, 156, 158, 177, 184, D13/199; D14/432, 433
CPC H01R 13/46; H01R 24/76; H01R 13/44
See application file for complete search history.

(56) **References Cited**

U.S. PATENT DOCUMENTS

D449,030 S * 10/2001 Baxter D13/110
D469,402 S * 1/2003 Bukiri D13/137.1
D699,182 S * 2/2014 Chun D13/108
D741,796 S * 10/2015 Robinson D13/103
D801,935 S * 11/2017 Herr D13/137.2

(Continued)

OTHER PUBLICATIONS

“TUMI Power Converter”. Found online Jun. 11, 2020 at amazon.com. Reference dated Jun. 18, 2016. Retrieved from https://www.amazon.com/puertos-adaptador-viaje-Negro-114409/dp/B0169OB950/ref=sr_1_1?th=1. (Year: 2016).*

(Continued)

Primary Examiner — Kendra Leslie Hamilton
Assistant Examiner — Amanda Christensen

(57) **CLAIM**

The ornamental design for a plug adapter, as shown and described.

DESCRIPTION

FIG. 1 is a front, bottom, left perspective view of a plug adapter, showing my new design in a first configuration for use;

FIG. 2 is a rear, top, right perspective view thereof;

FIG. 3 is a front elevational view thereof;

FIG. 4 is a rear elevational view thereof;

FIG. 5 is a left side elevational view thereof;

FIG. 6 is a right side elevational view thereof;

FIG. 7 is a top plan view thereof;

FIG. 8 is a bottom plan view thereof;

FIG. 9 is a front, bottom, left perspective view of the plug adapter of FIG. 1, shown in a second configuration for use and exploded for clarity of disclosure;

FIG. 10 is a rear, top, right perspective view of the plug adapter of FIG. 1, shown in a third configuration for use;

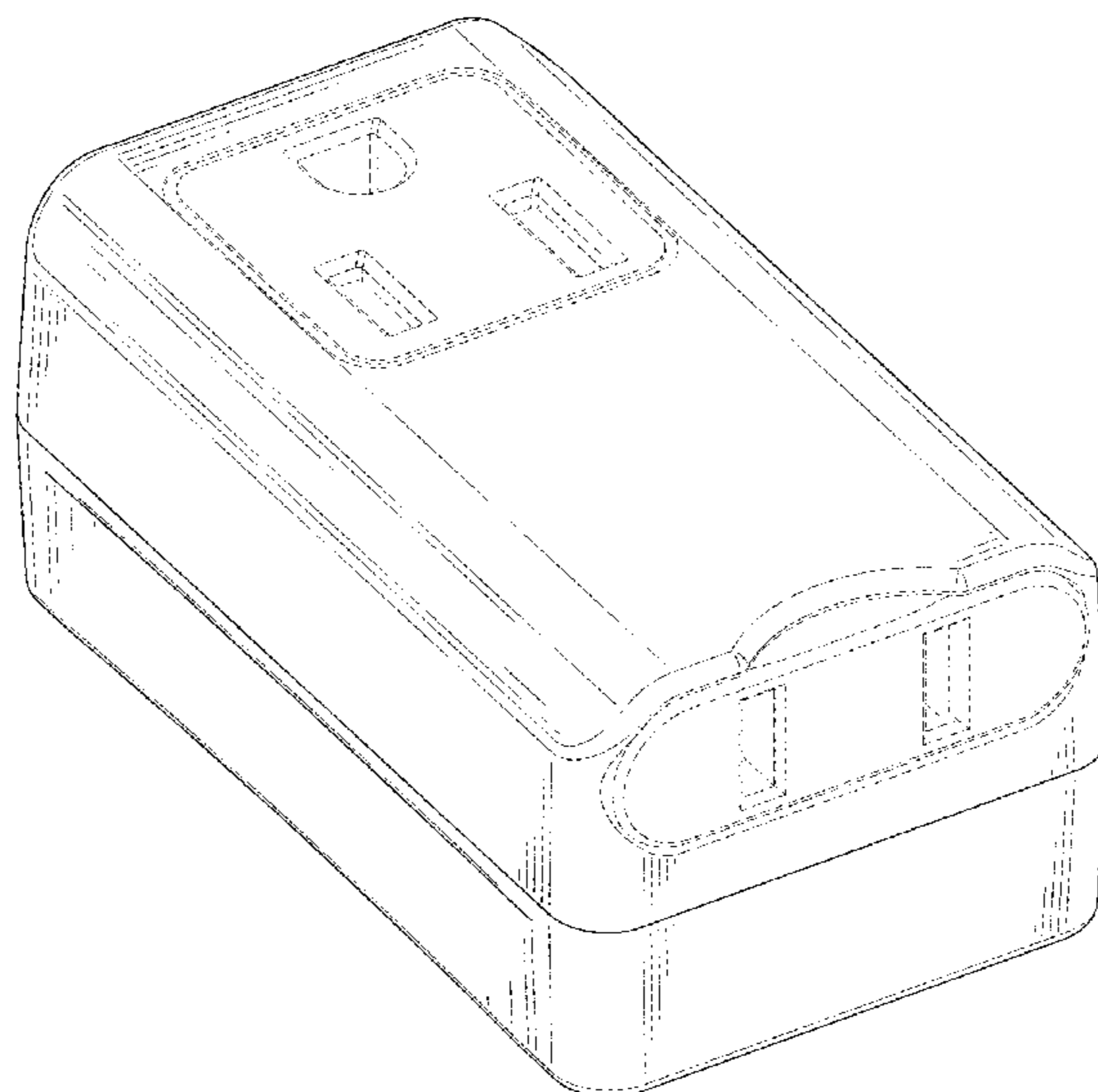
FIG. 11 is a rear, top, right perspective view of the plug adapter of FIG. 1, shown in a fourth configuration for use;

FIG. 12 is a rear, top, right perspective view of the plug adapter of FIG. 1, shown in a fifth configuration for use; and,

FIG. 13 is a rear, top, right perspective view of the plug adapter of FIG. 1, shown in a sixth configuration for use.

The broken lines depict portions of the plug adapter that form no part of the claimed design.

1 Claim, 13 Drawing Sheets



(56)

References Cited

U.S. PATENT DOCUMENTS

D832,215 S * 10/2018 Xu D13/137.2
D843,943 S * 3/2019 Yang D13/137.2
D848,948 S * 5/2019 Wei D13/137.2
D856,934 S * 8/2019 Levy D13/137.2
D883,941 S * 5/2020 Muramoto D13/184
2009/0029578 A1* 1/2009 Lau H01R 13/4534
439/135
2014/0080337 A1* 3/2014 Lai H01R 13/447
439/172
2014/0199883 A1* 7/2014 Medley H01R 31/06
439/535

OTHER PUBLICATIONS

“Odogo Voltage Converter”. Found online Jun. 11, 2020 at amazon.com. Reference dated Sep. 14, 2017. Retrieved from https://www.amazon.com/Odogo-Converter-International-Countries-Appliances/dp/B072XC8DDC/ref=sr_1_1. (Year: 2017).*

“Bestek Universal Travel Adapter”. Found online Jun. 11, 2020 at amazon.com. Reference dated Apr. 12, 2016. Retrieved from https://www.amazon.com/BESTEK-Universal-Converter-Charging-Worldwide/dp/B01E140XWA/ref=psdc_10967761_t2_B07T68SRWP. (Year: 2016).*

“Lenmar Travel Adapter”. Found online Jun. 11, 2020 at amazon.com. Reference dated Jan. 29, 2014. Retrieved from <https://www.amazon.com/international-Adapter-Pacific-America-Lenmar/dp/B0014CEXLS>. (Year: 2014).*

* cited by examiner

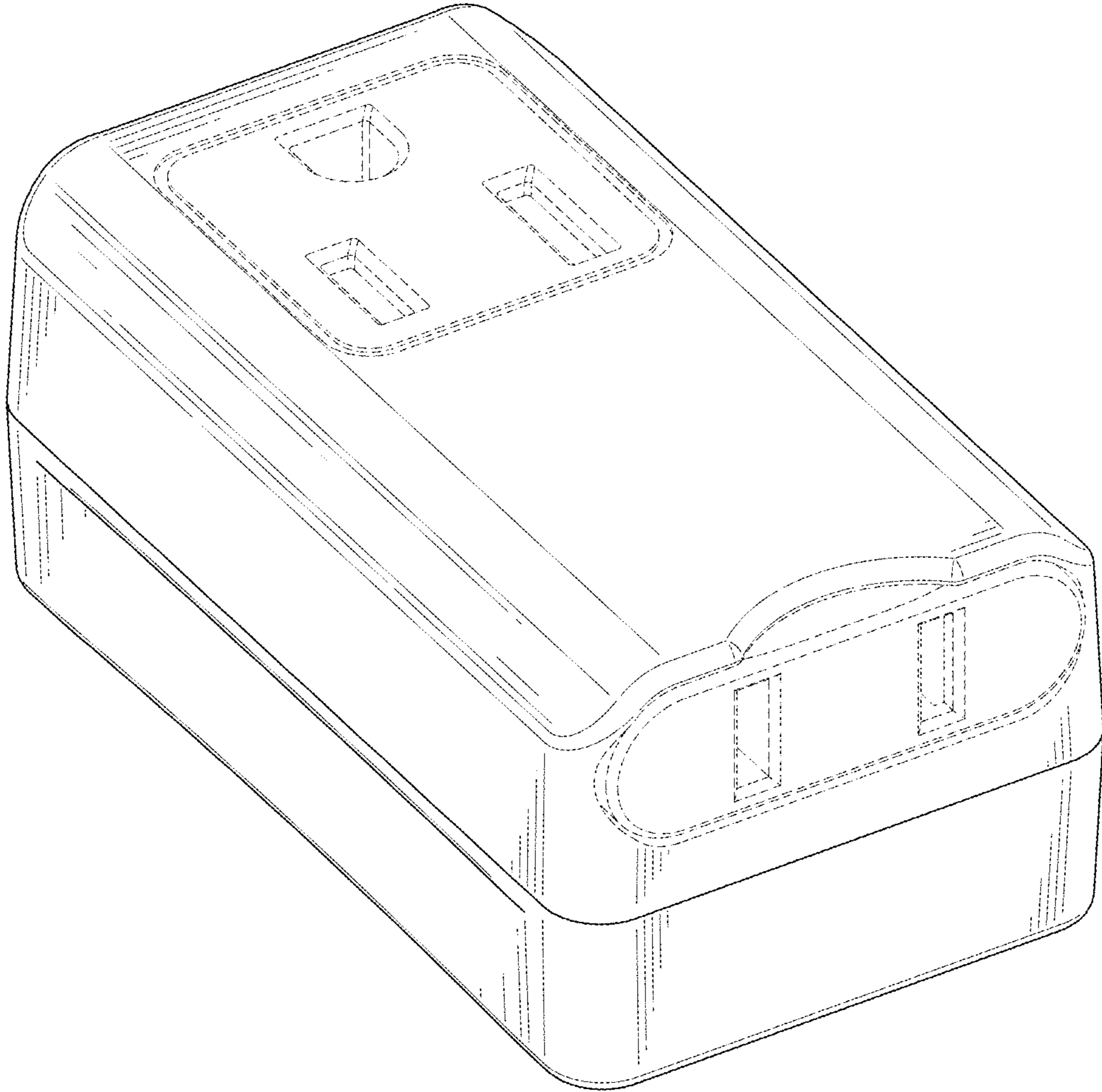


FIG. 1

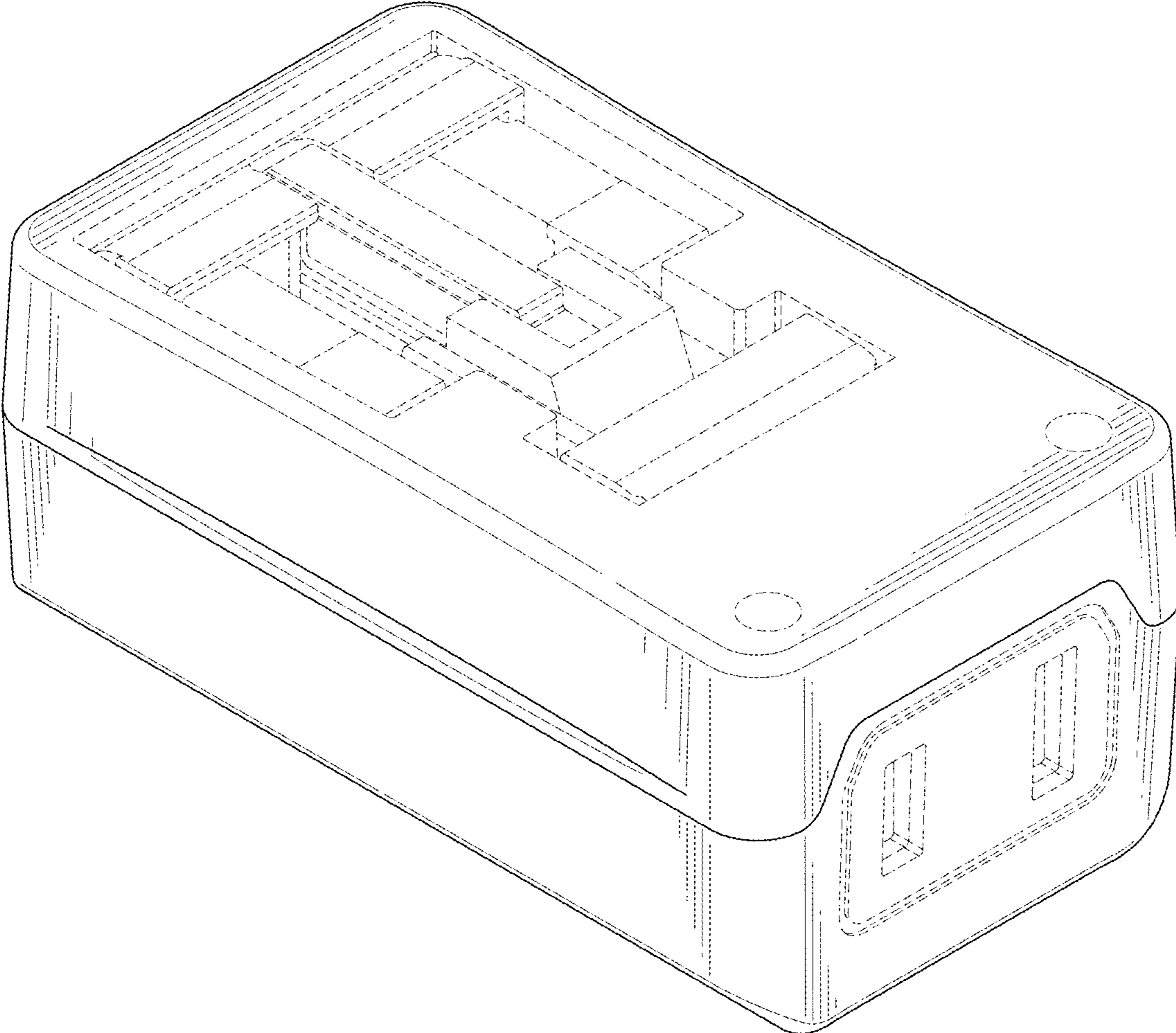


FIG. 2

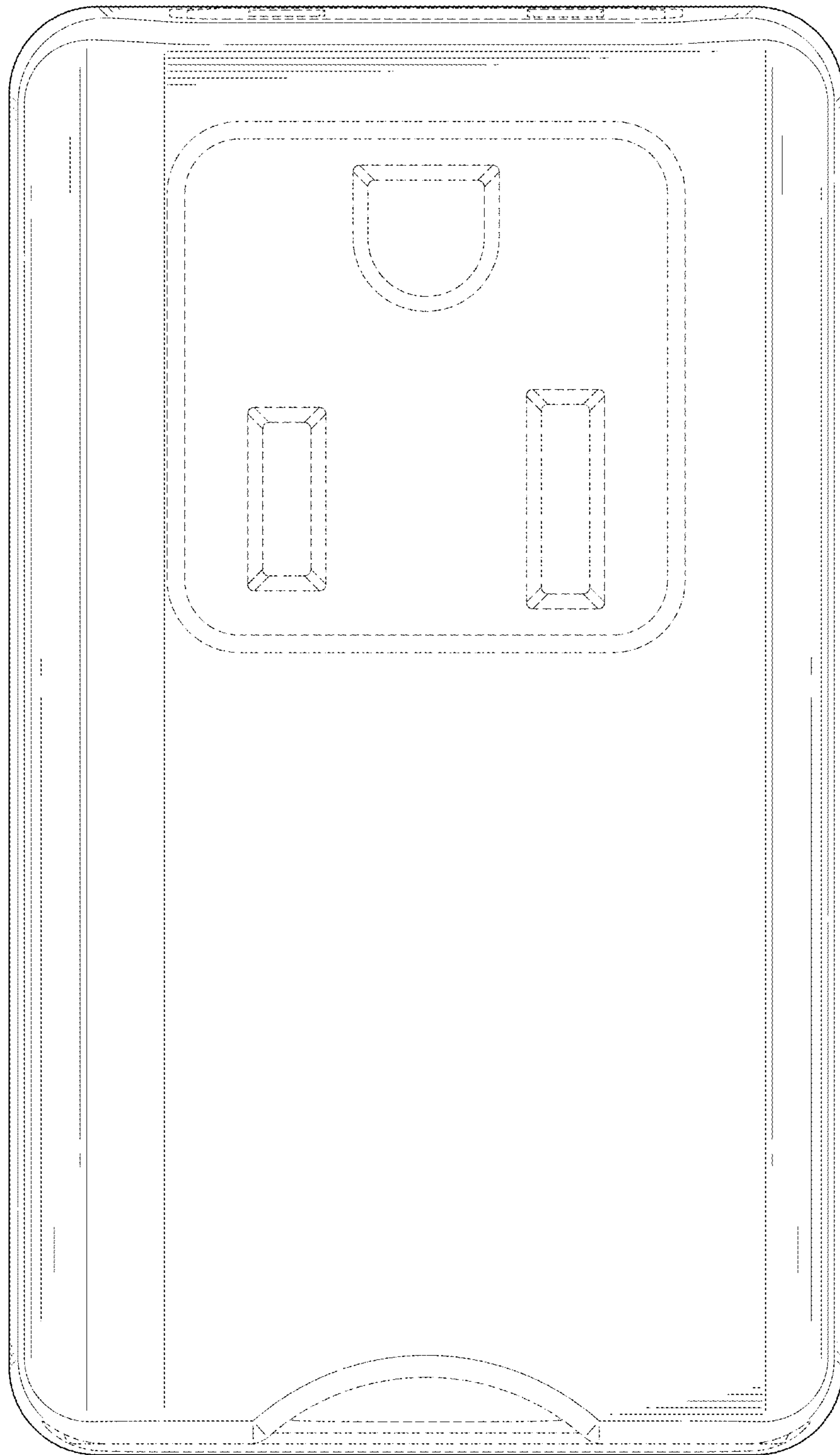


FIG. 3

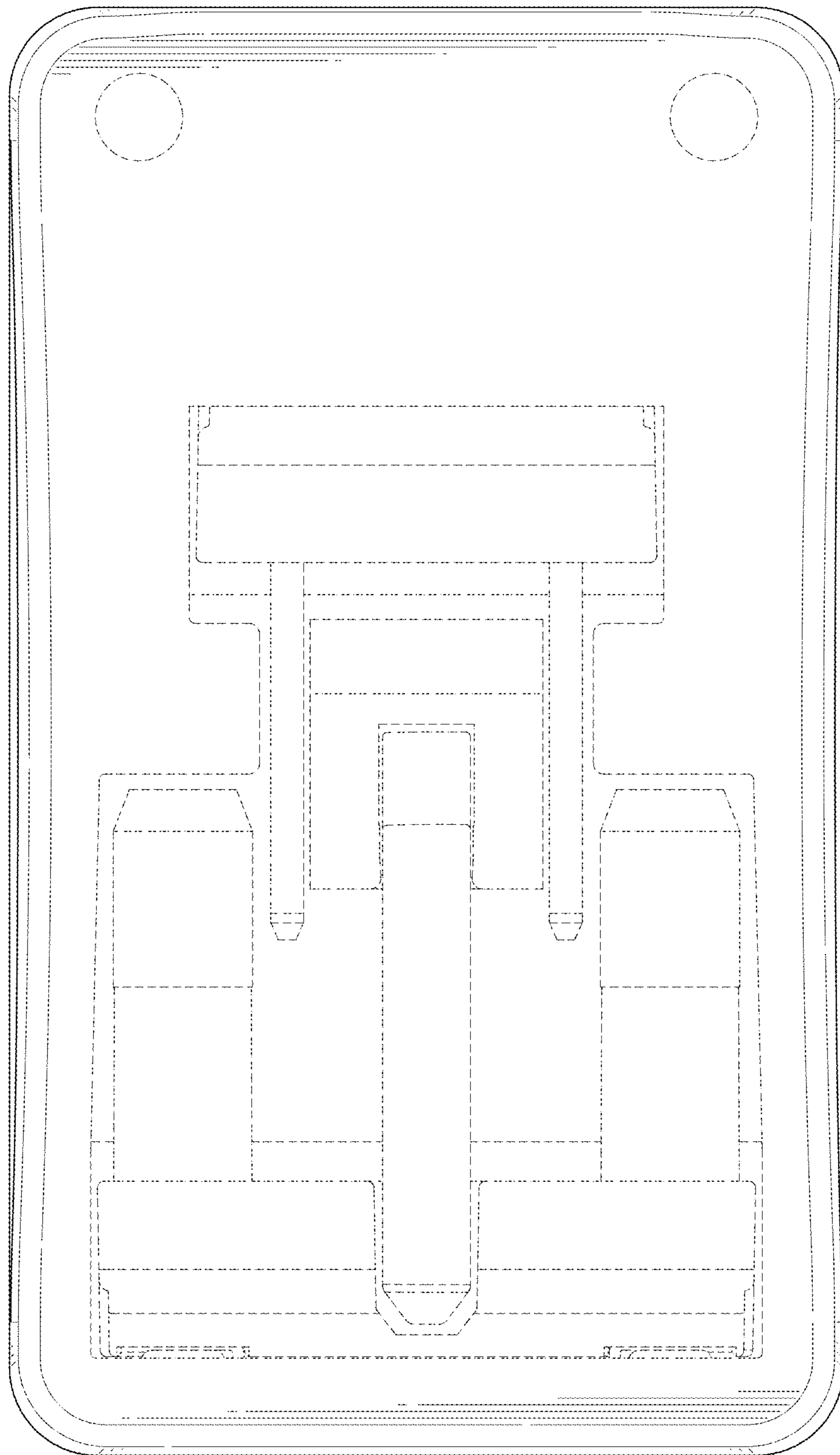


FIG. 4

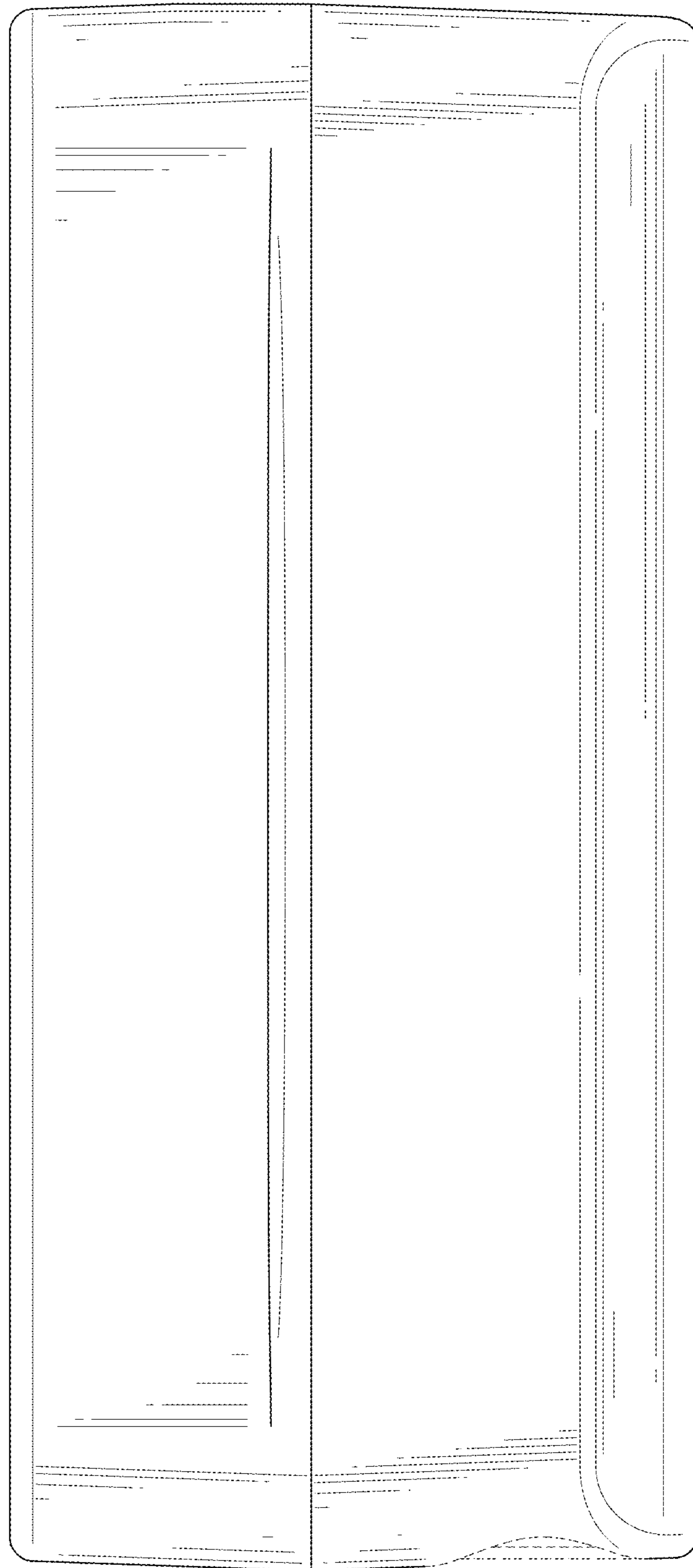


FIG. 5

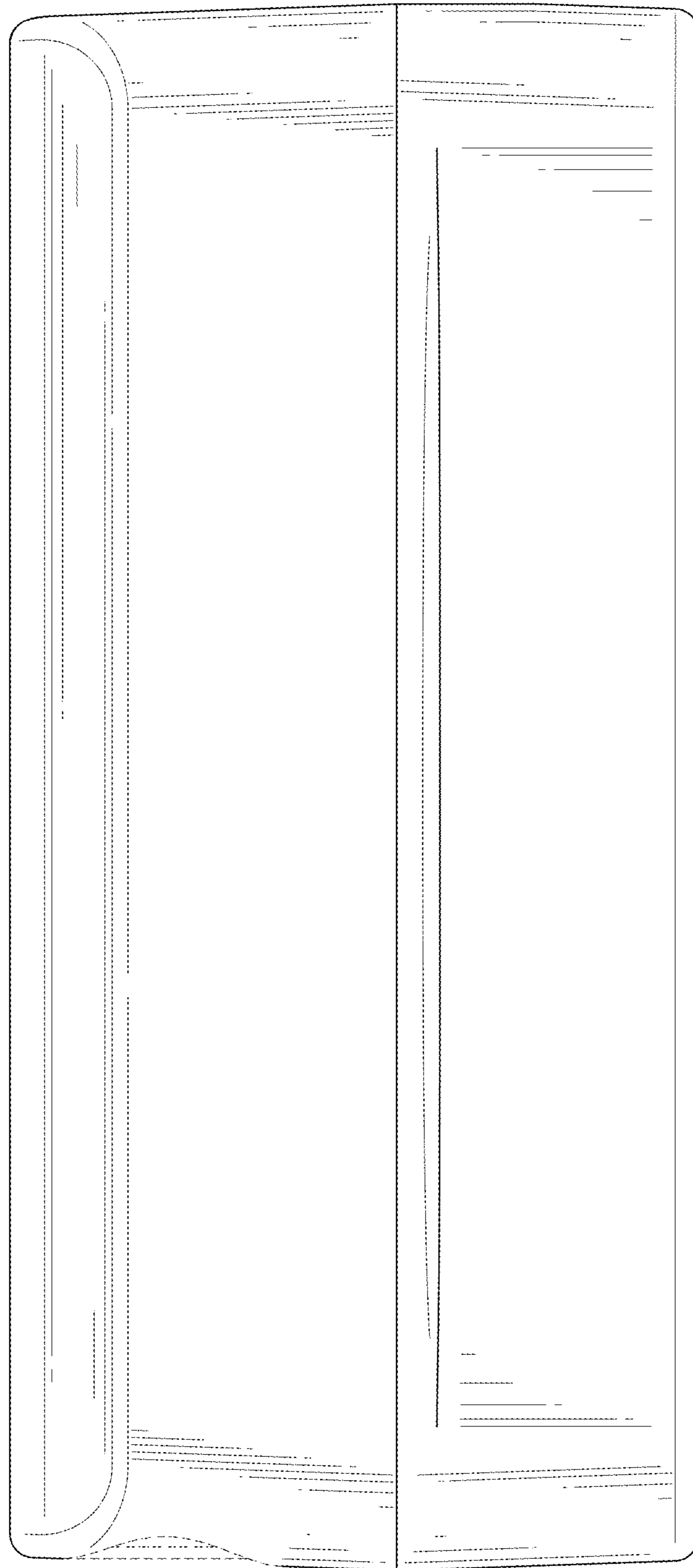


FIG. 6

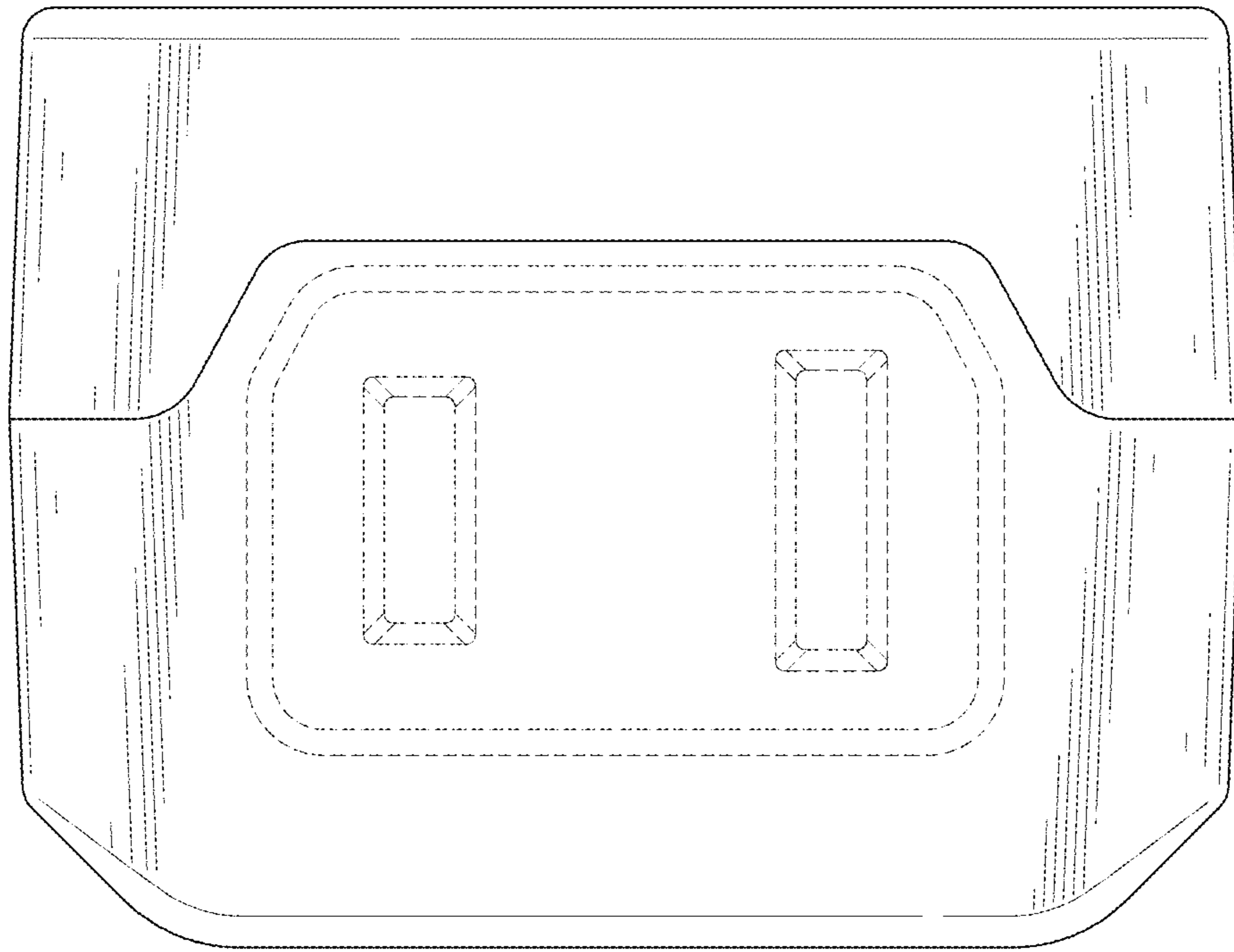


FIG. 7

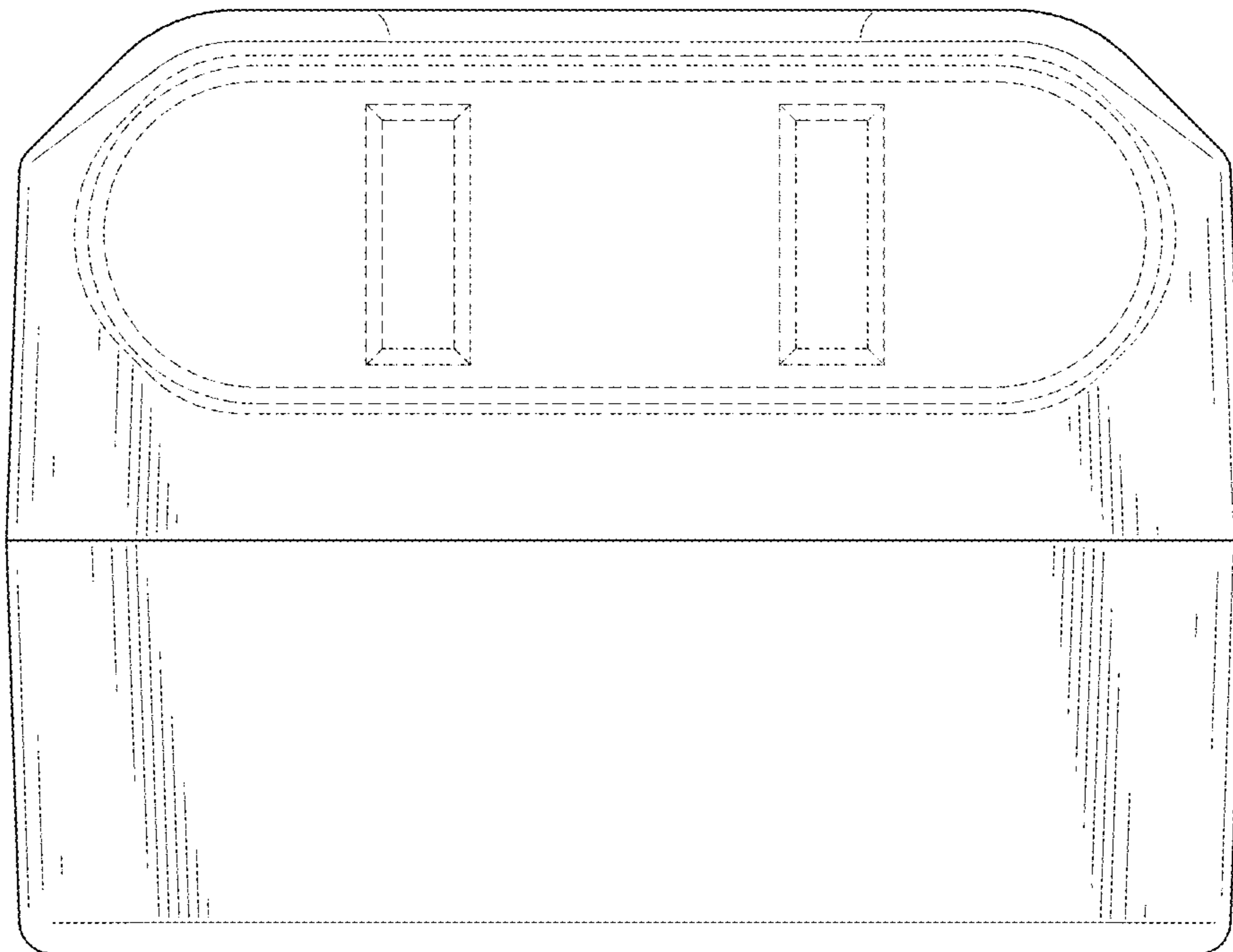


FIG. 8

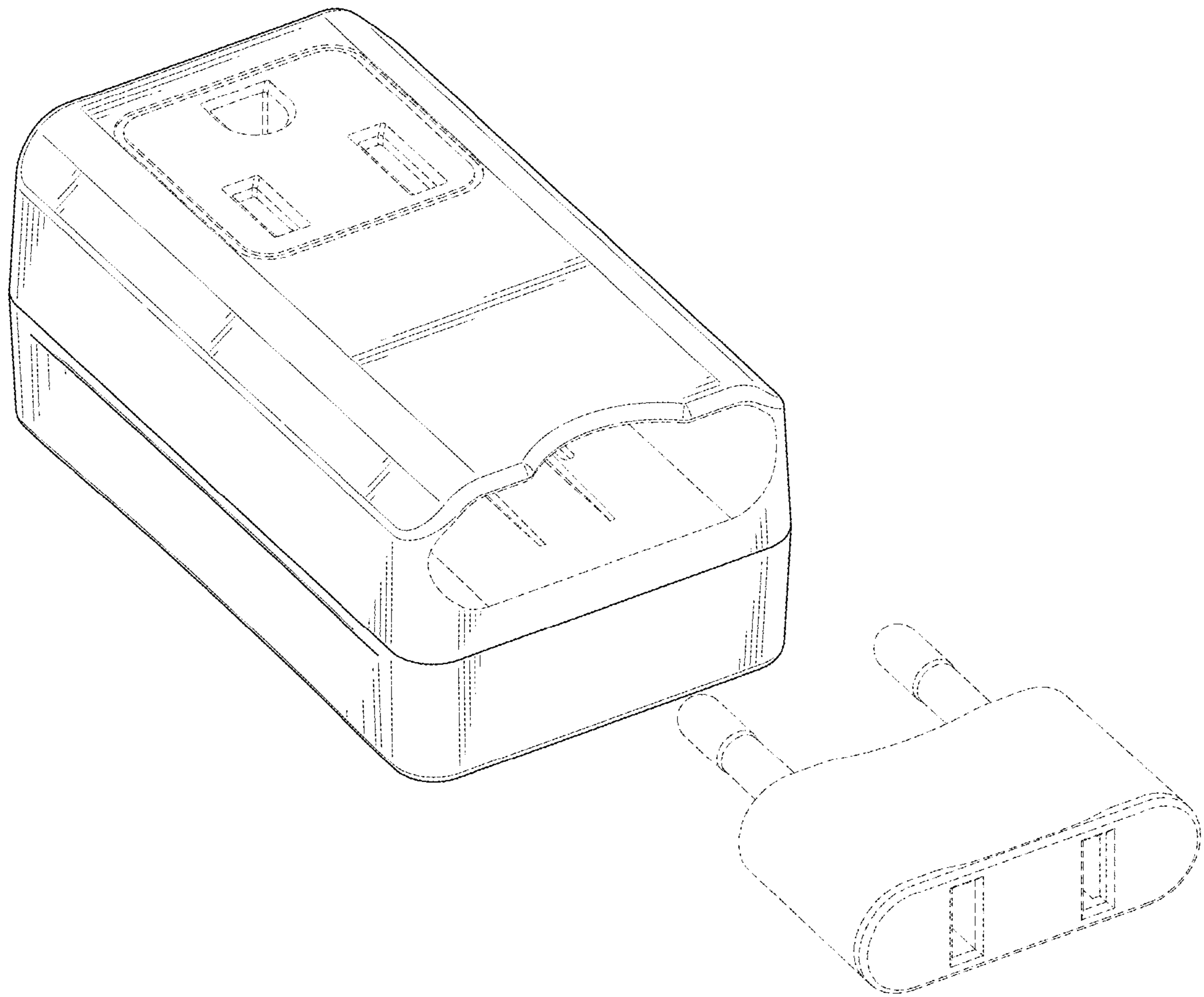


FIG. 9

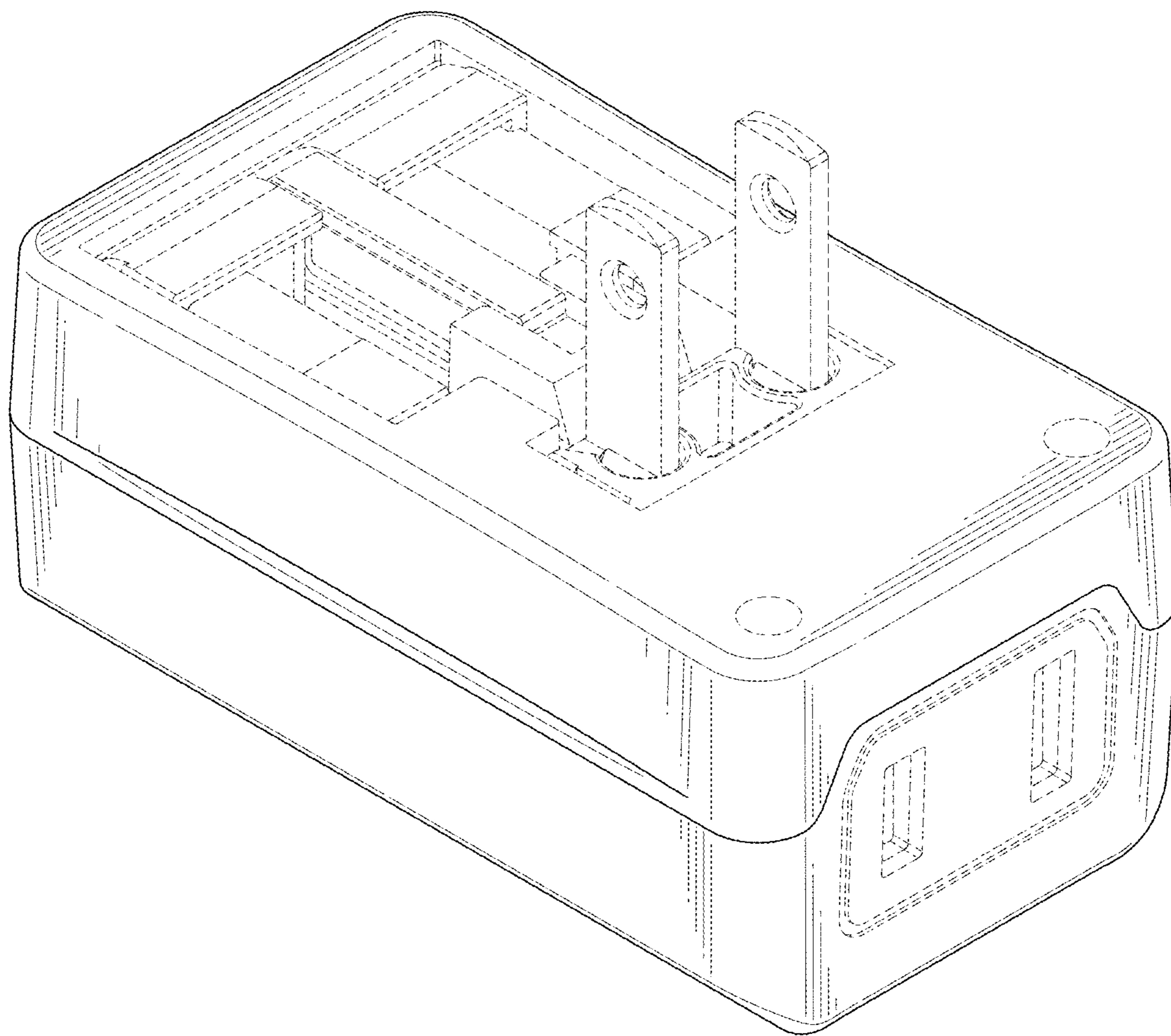


FIG. 10

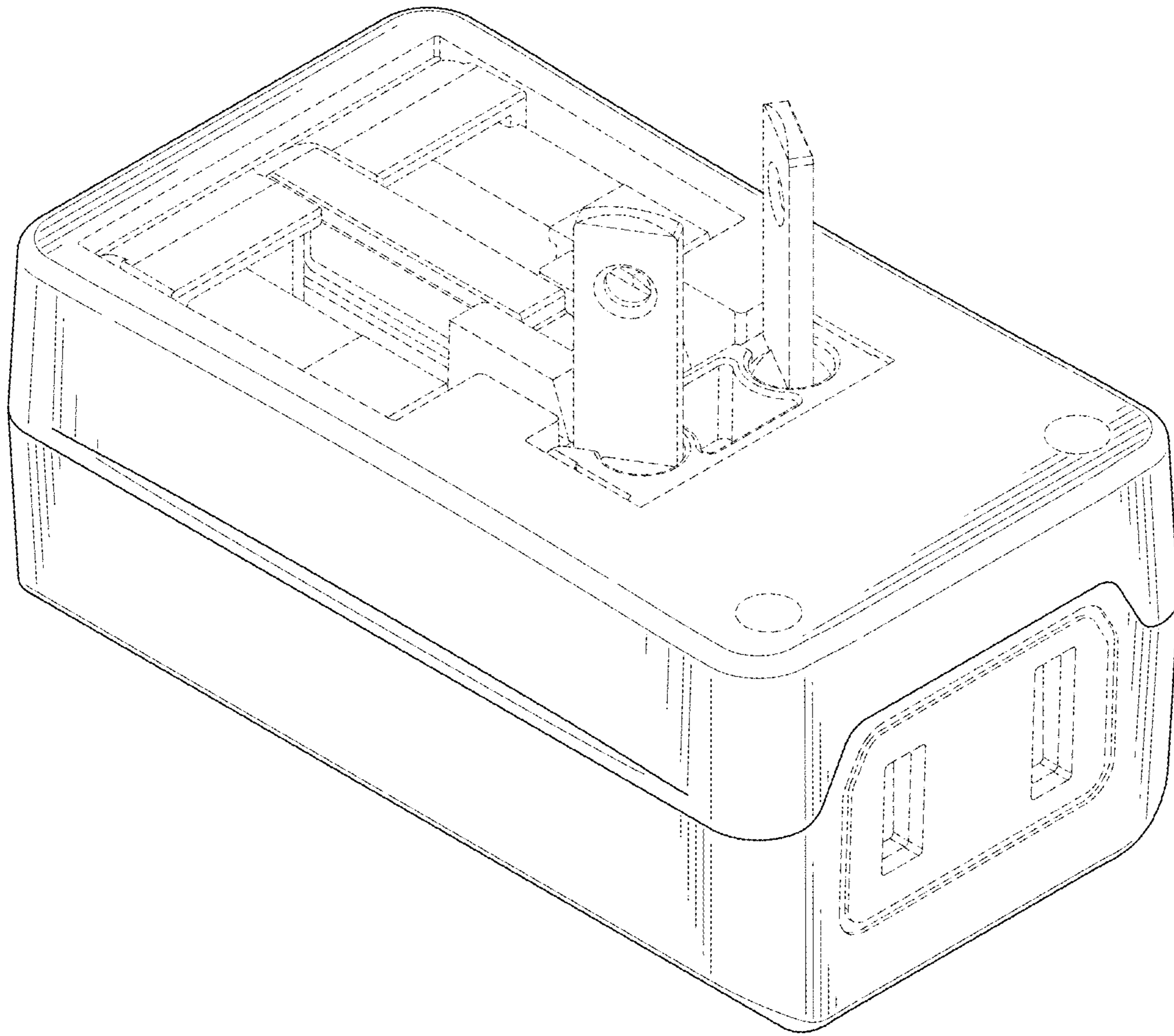


FIG. 11

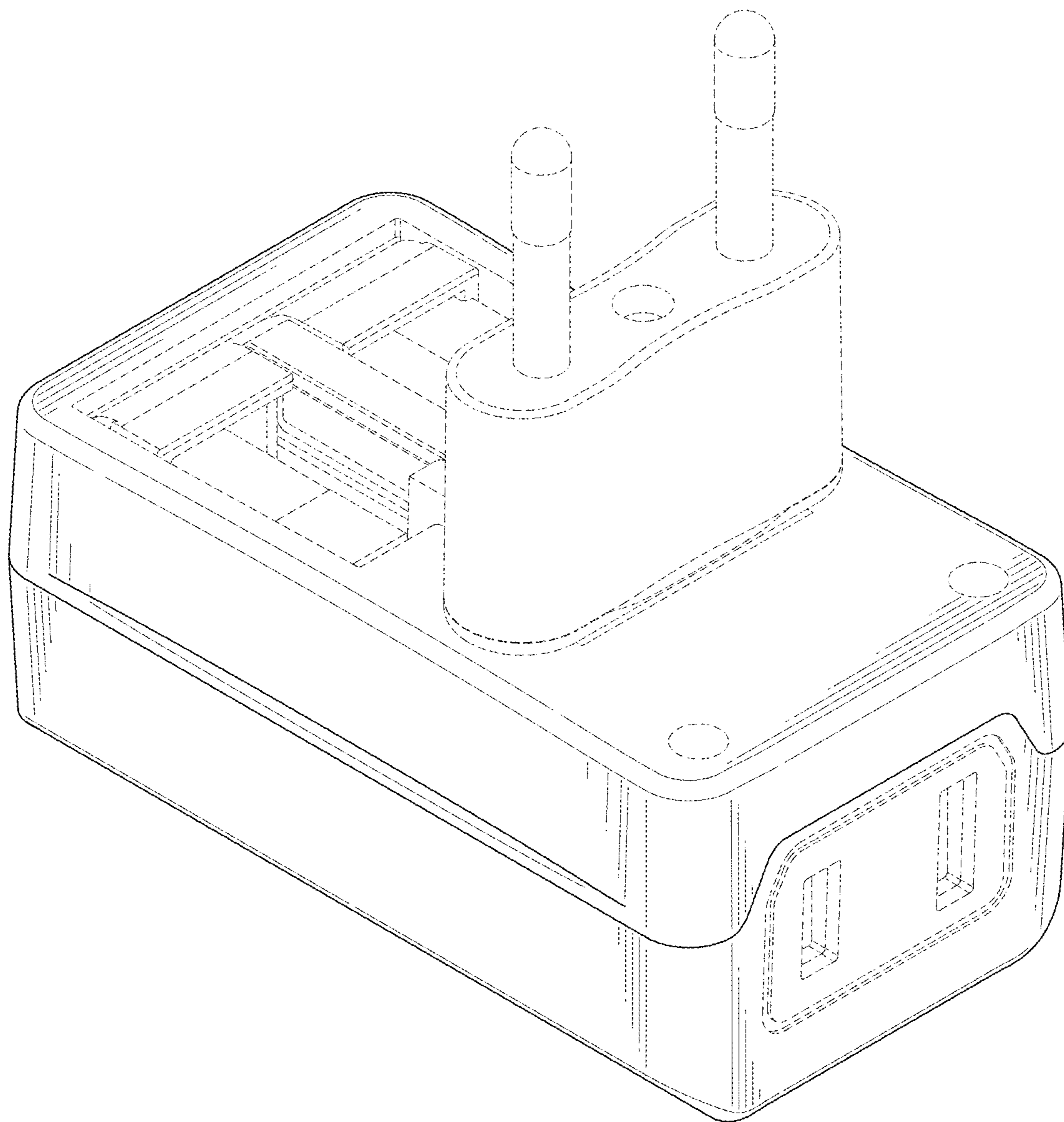


FIG. 12

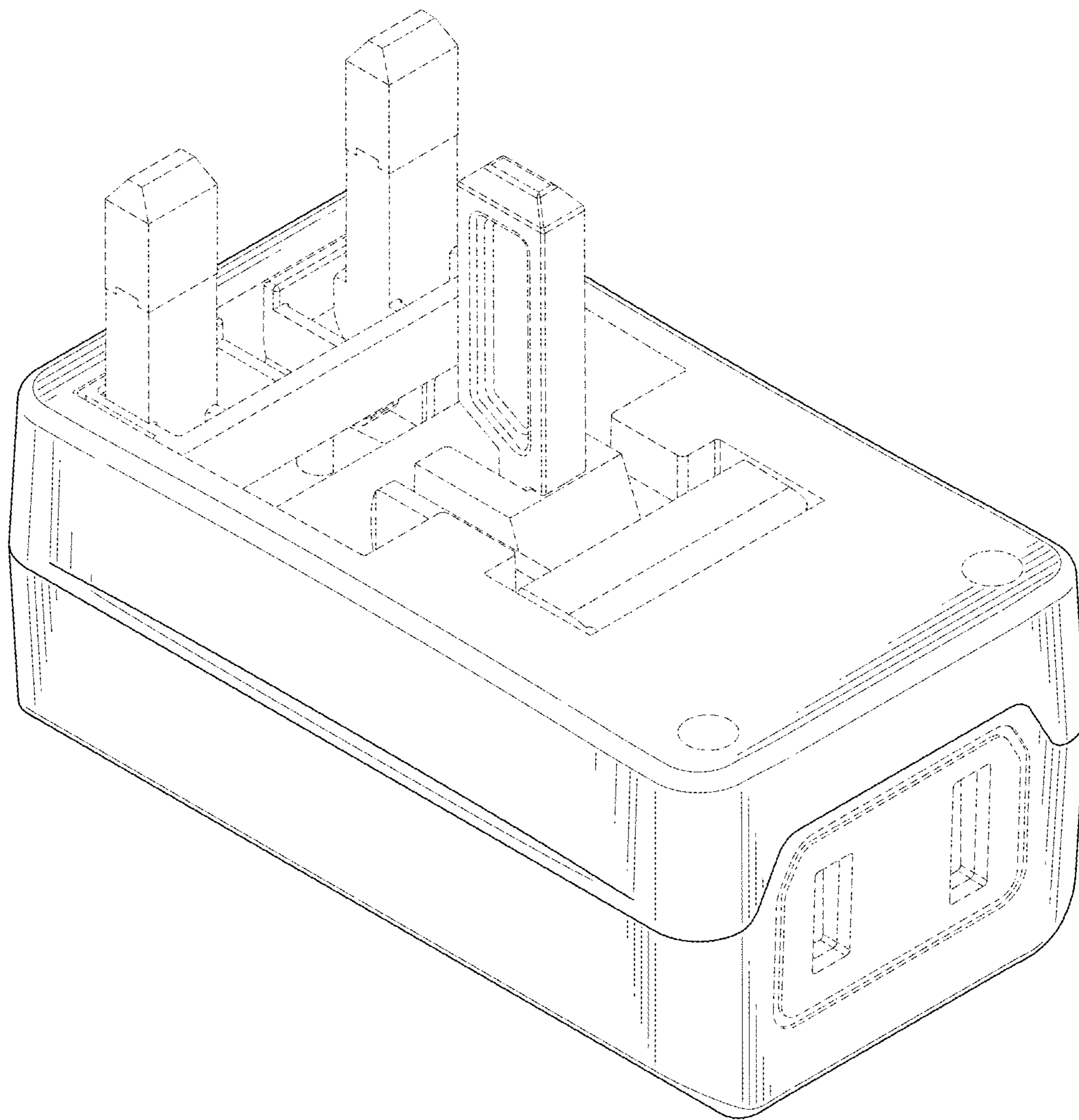


FIG. 13