

US00D899367S

(12) **United States Design Patent** (10) **Patent No.:** **US D899,367 S**  
**Thyagaraj et al.** (45) **Date of Patent:** **\*\* Oct. 20, 2020**

(54) **CONNECTOR ASSEMBLY**

**DESCRIPTION**

(71) Applicant: **Molex, LLC**, Lisle, IL (US)  
(72) Inventors: **Harsha Thyagaraj**, Bangalore (IN);  
**Pierre Perez**, Aurora, IL (US)  
(73) Assignee: **Molex, LLC**, Lisle, IL (US)  
(\*\*) Term: **15 Years**  
(21) Appl. No.: **29/679,000**  
(22) Filed: **Jan. 31, 2019**  
(51) **LOC (12) Cl.** ..... **13-03**  
(52) **U.S. Cl.**  
USPC ..... **D13/133; D13/147**  
(58) **Field of Classification Search**  
USPC ..... **D13/133, 146, 147, 153, 154, 155, 184,**  
**D13/199**

FIG. 1 is a front perspective view of a connector assembly showing our new design;  
FIG. 2 is a rear perspective view thereof;  
FIG. 3 is a front view thereof;  
FIG. 4 is a rear view thereof;  
FIG. 5 is a right side view thereof;  
FIG. 6 is a left side view thereof;  
FIG. 7 is a top view thereof;  
FIG. 8 is a bottom view thereof;  
FIG. 9 is a front perspective view of an alternate embodiment of the connector assembly showing our new design;  
FIG. 10 is a rear perspective view thereof;  
FIG. 11 is a front view thereof;  
FIG. 12 is a rear view thereof;  
FIG. 13 is a right side view thereof;  
FIG. 14 is a left side view thereof;  
FIG. 15 is a top view thereof;  
FIG. 16 is a bottom view thereof;  
FIG. 17 is a front perspective view of an alternate embodiment of the connector assembly showing our new design;  
FIG. 18 is a rear perspective view thereof;  
FIG. 19 is a front view thereof;  
FIG. 20 is a rear view thereof;  
FIG. 21 is a right side view thereof;  
FIG. 22 is a left side view thereof;  
FIG. 23 is a top view thereof;  
FIG. 24 is a bottom view thereof;  
FIG. 25 is a front perspective view of an alternate embodiment of the connector assembly showing our new design;  
FIG. 26 is a rear perspective view thereof;  
FIG. 27 is a front view thereof;  
FIG. 28 is a rear view thereof;  
FIG. 29 is a right side view thereof;  
FIG. 30 is a left side view thereof;  
FIG. 31 is a top view thereof;  
FIG. 32 is a bottom view thereof;  
FIG. 33 is a front perspective view of an alternate embodiment of the connector assembly showing our new design;  
FIG. 34 is a rear perspective view thereof;  
FIG. 35 is a front view thereof;  
FIG. 36 is a rear view thereof;

(Continued)

(56) **References Cited**

**U.S. PATENT DOCUMENTS**

5,169,336 A \* 12/1992 Taguchi ..... H01R 13/64  
439/354  
5,876,230 A \* 3/1999 Nishide ..... H01R 13/6272  
439/352

(Continued)

**FOREIGN PATENT DOCUMENTS**

CN 304431754 12/2017  
JP D1567470 1/2017  
TW D195134 1/2019

*Primary Examiner* — Karen E Kearney  
*Assistant Examiner* — Michael Chong  
(74) *Attorney, Agent, or Firm* — Banner & Witcoff, Ltd.

(57) **CLAIM**

The ornamental design for a connector assembly, as shown and described.

(Continued)

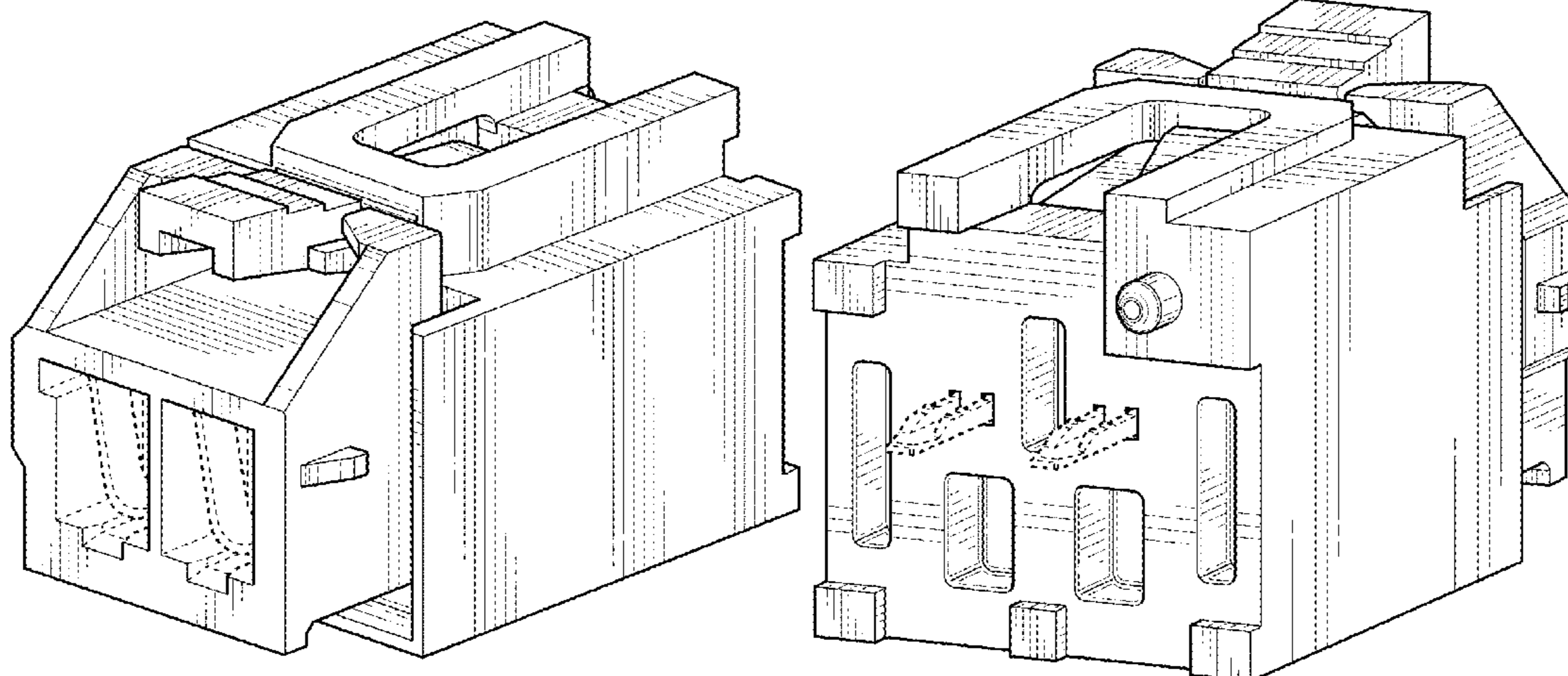


FIG. 37 is a right side view thereof;  
 FIG. 38 is a left side view thereof;  
 FIG. 39 is a top view thereof;  
 FIG. 40 is a bottom view thereof;  
 FIG. 41 is a front perspective view of an alternate embodiment of a connector assembly which is a mirror image of the connector of FIGS. 1-8;  
 FIG. 42 is a front view thereof;  
 FIG. 43 is a rear view thereof;  
 FIG. 44 is a right side view thereof;  
 FIG. 45 is a left side view thereof;  
 FIG. 46 is a top view thereof;  
 FIG. 47 is a bottom view thereof;  
 FIG. 48 is a front perspective view of an alternate embodiment of a connector assembly which is a mirror image of the connector assembly of FIGS. 9-16;  
 FIG. 49 is a front view thereof;  
 FIG. 50 is a rear view thereof;  
 FIG. 51 is a right side view thereof;  
 FIG. 52 is a left side view thereof;  
 FIG. 53 is a top view thereof;  
 FIG. 54 is a bottom view thereof;  
 FIG. 55 is a front perspective view of an alternate embodiment of a connector assembly which is a mirror image of the connector assembly of FIGS. 17-24;  
 FIG. 56 is a front view thereof;  
 FIG. 57 is a rear view thereof;  
 FIG. 58 is a right side view thereof;  
 FIG. 59 is a left side view thereof;  
 FIG. 60 is a top view thereof;  
 FIG. 61 is a bottom view thereof;  
 FIG. 62 is a front perspective view of an alternate embodiment of a connector assembly which is a mirror image of the connector assembly of FIGS. 25-32;  
 FIG. 63 is a front view thereof;  
 FIG. 64 is a rear view thereof;  
 FIG. 65 is a right side view thereof;  
 FIG. 66 is a left side view thereof;  
 FIG. 67 is a top view thereof;

FIG. 68 is a bottom view thereof;  
 FIG. 69 is a front perspective view of an alternate embodiment of a connector assembly which is a mirror image of the connector assembly of FIGS. 33-40;  
 FIG. 70 is a front view thereof;  
 FIG. 71 is a rear view thereof;  
 FIG. 72 is a right side view thereof;  
 FIG. 73 is a left side view thereof;  
 FIG. 74 is a top view thereof; and,  
 FIG. 75 is a bottom view thereof.  
 The broken lines depicting the remainder of the connector assembly show features that form no part of the claimed design.

**1 Claim, 75 Drawing Sheets**

(58) **Field of Classification Search**

CPC .... H01R 13/02; H01R 13/436; H01R 13/502;  
 H01R 13/504; H01R 13/506; H01R 3/58;  
 H01R 13/627; H01R 13/6315; H01R  
 13/6586; H01R 13/62; H01R 13/64;  
 H01R 13/641

See application file for complete search history.

(56) **References Cited**

U.S. PATENT DOCUMENTS

6,241,547	B1 *	6/2001	Fukuda .....	H01R 13/641 439/352
D791,082	S	7/2017	Li et al.	
D791,704	S	7/2017	Li et al.	
D791,705	S *	7/2017	Li .....	D13/147
D791,706	S *	7/2017	Li .....	D13/147
D791,707	S *	7/2017	Li .....	D13/147
D792,851	S *	7/2017	Li .....	D13/147
D792,852	S *	7/2017	Li .....	D13/147
D792,853	S *	7/2017	Li .....	D13/147
D802,538	S *	11/2017	Li .....	D13/147
10,461,458	B2 *	10/2019	Kim .....	H01R 13/4362

\* cited by examiner

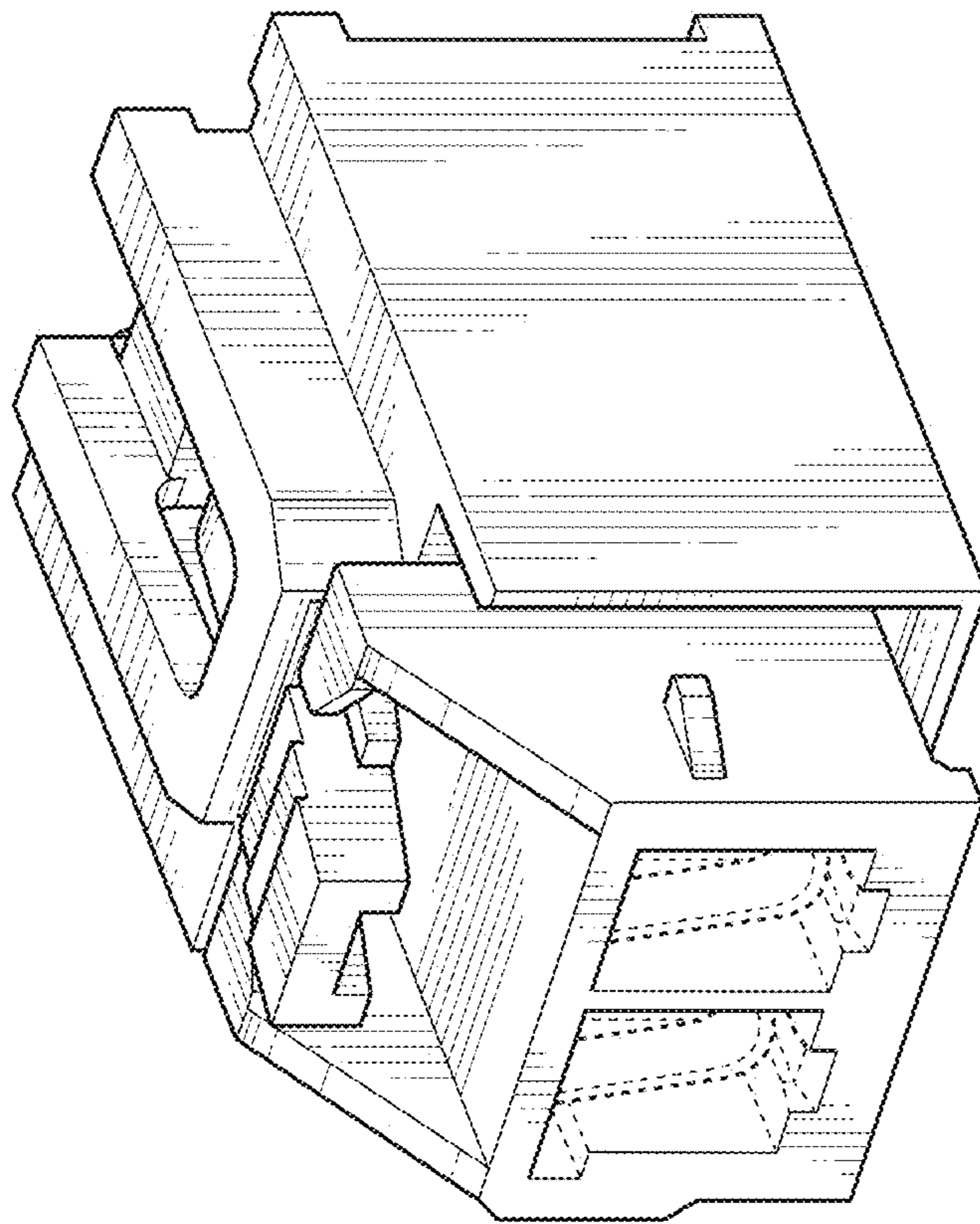


FIG. 1

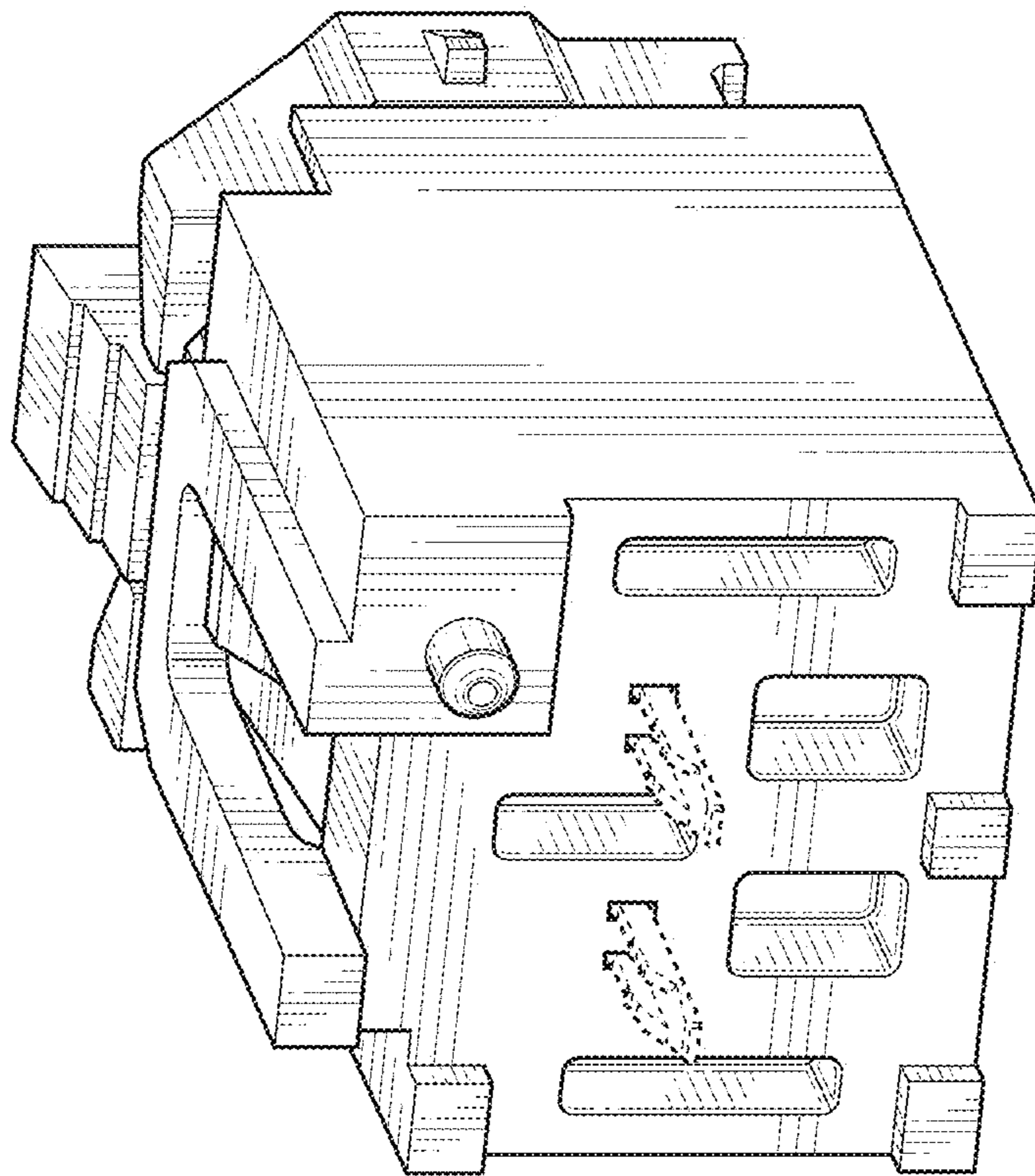


FIG. 2

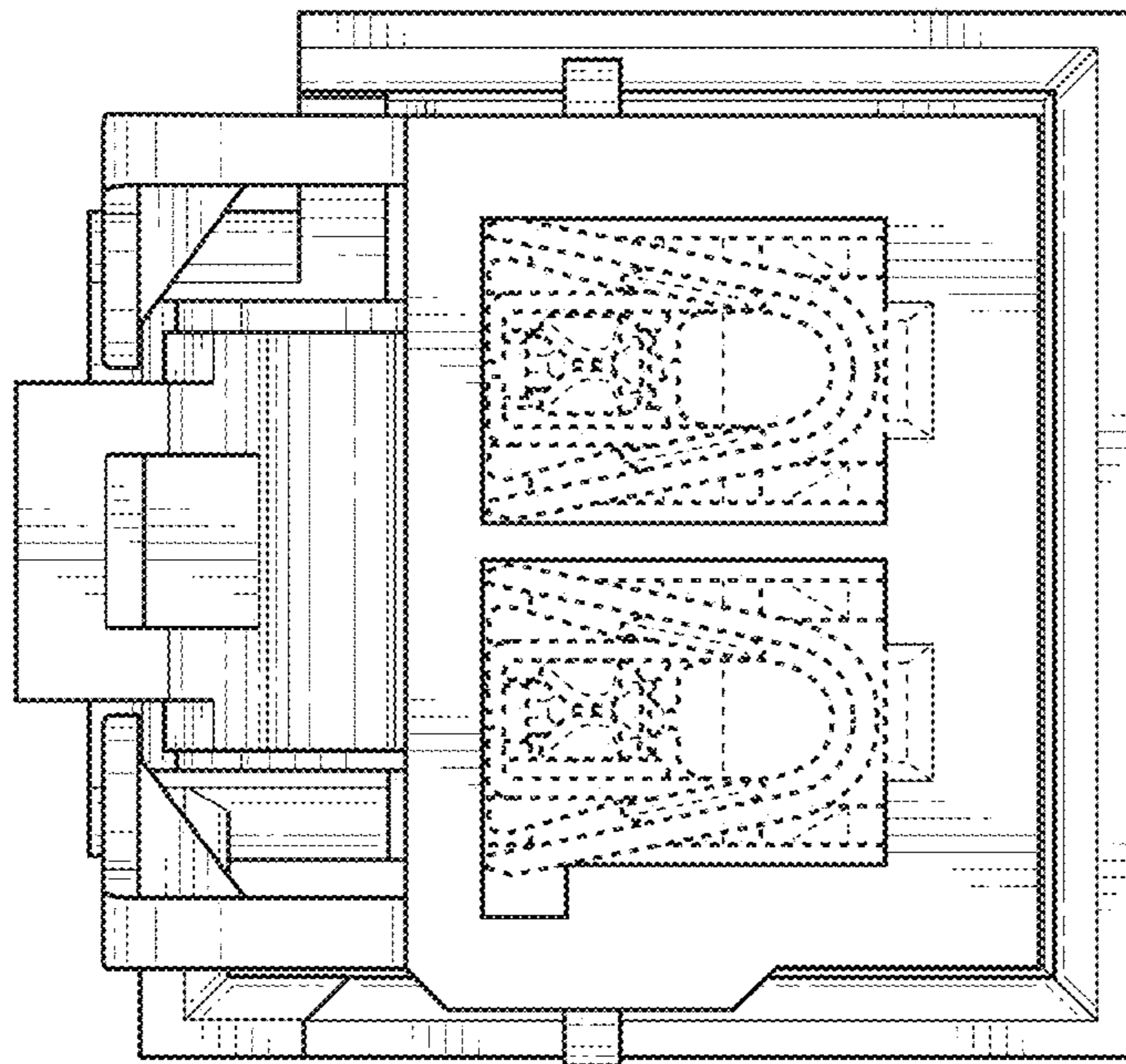


FIG. 3

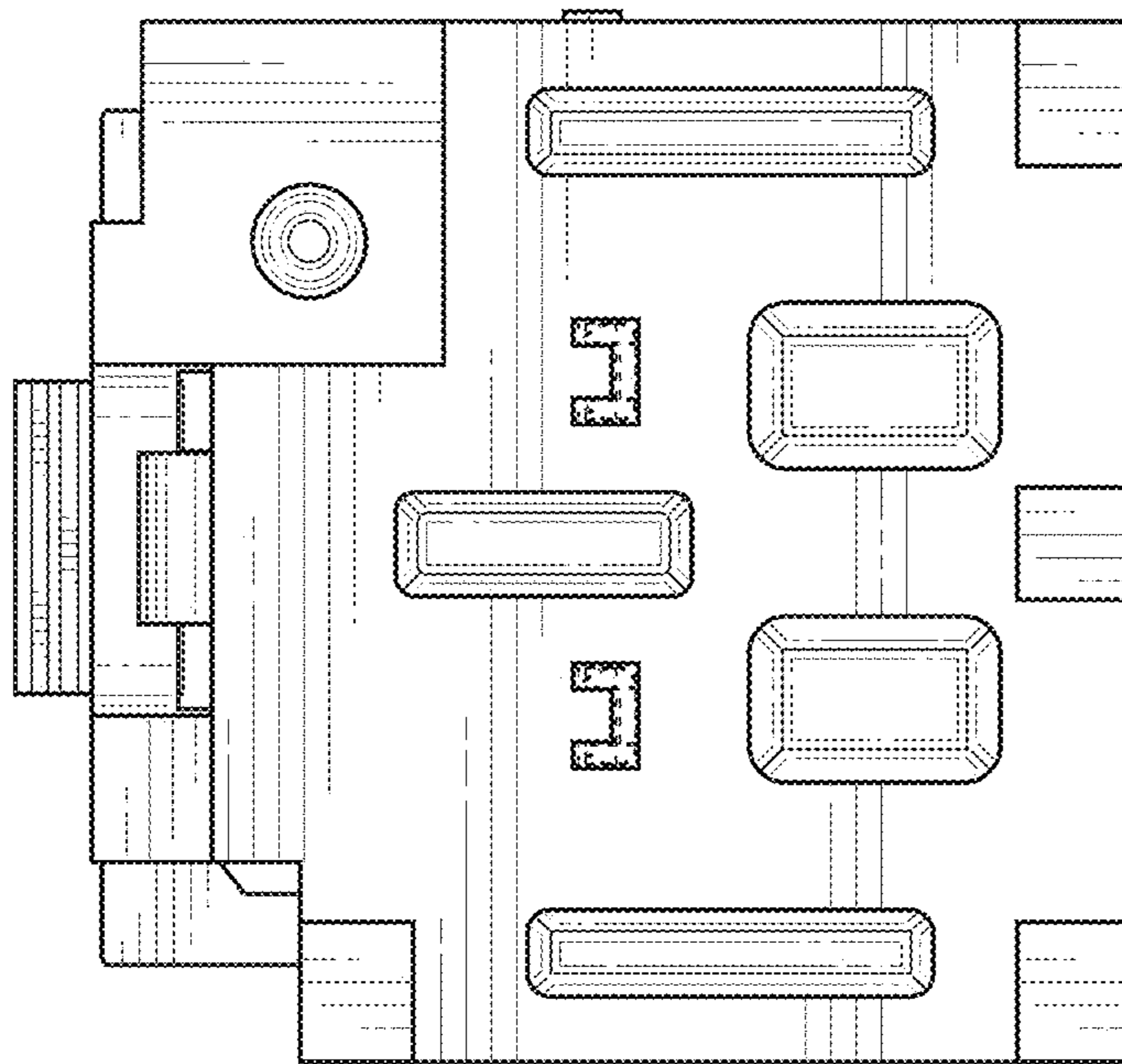


FIG. 4

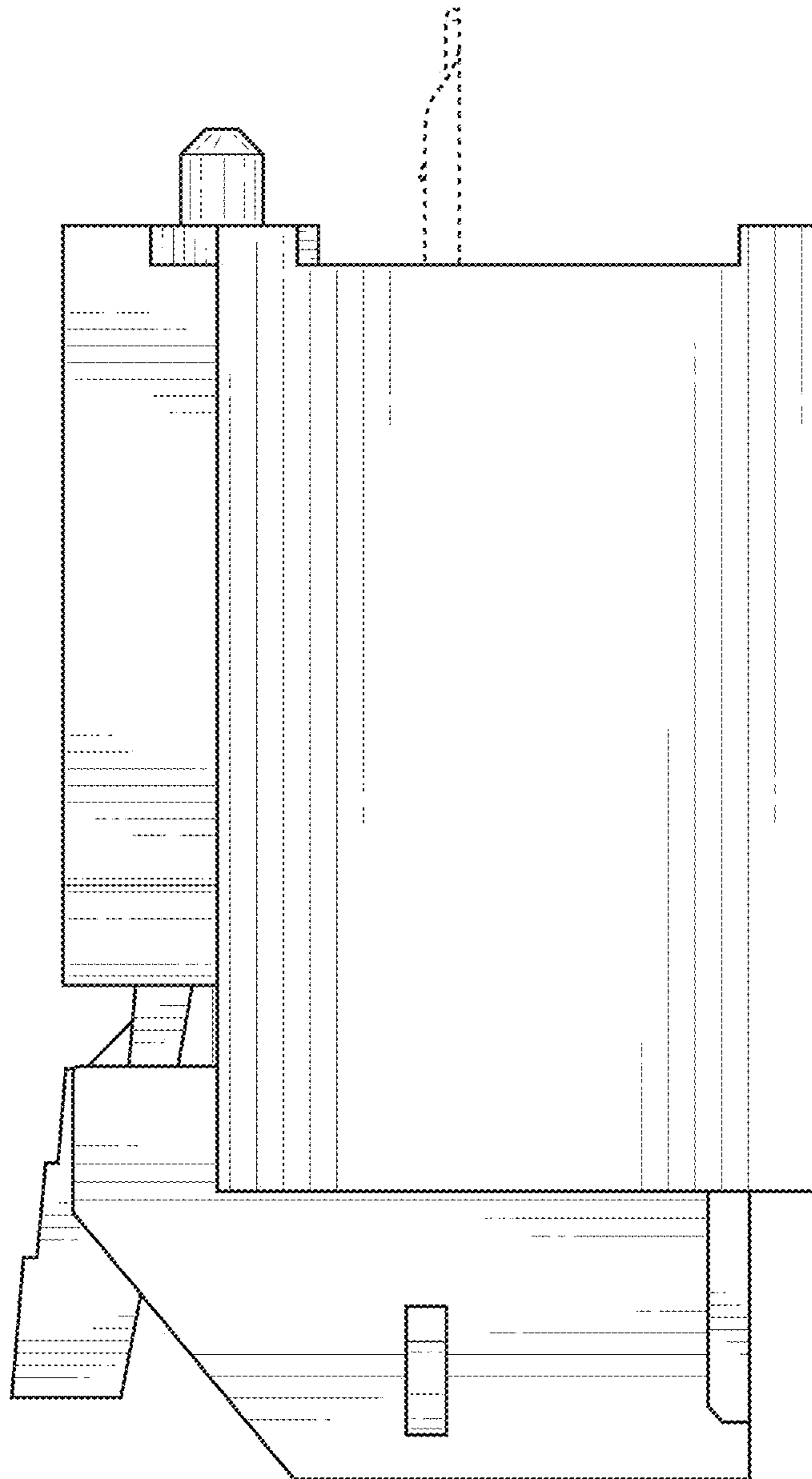


FIG. 5

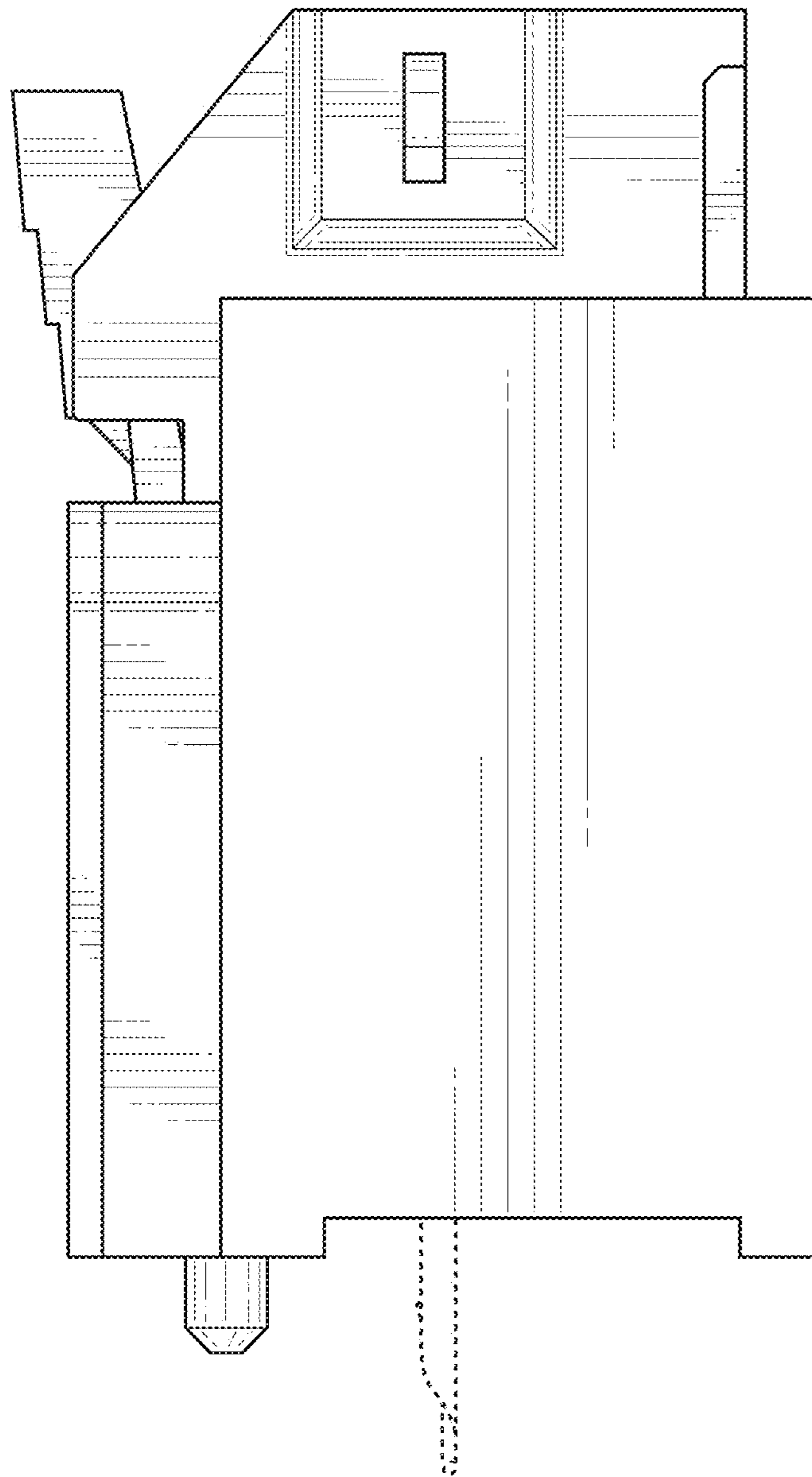


FIG. 6



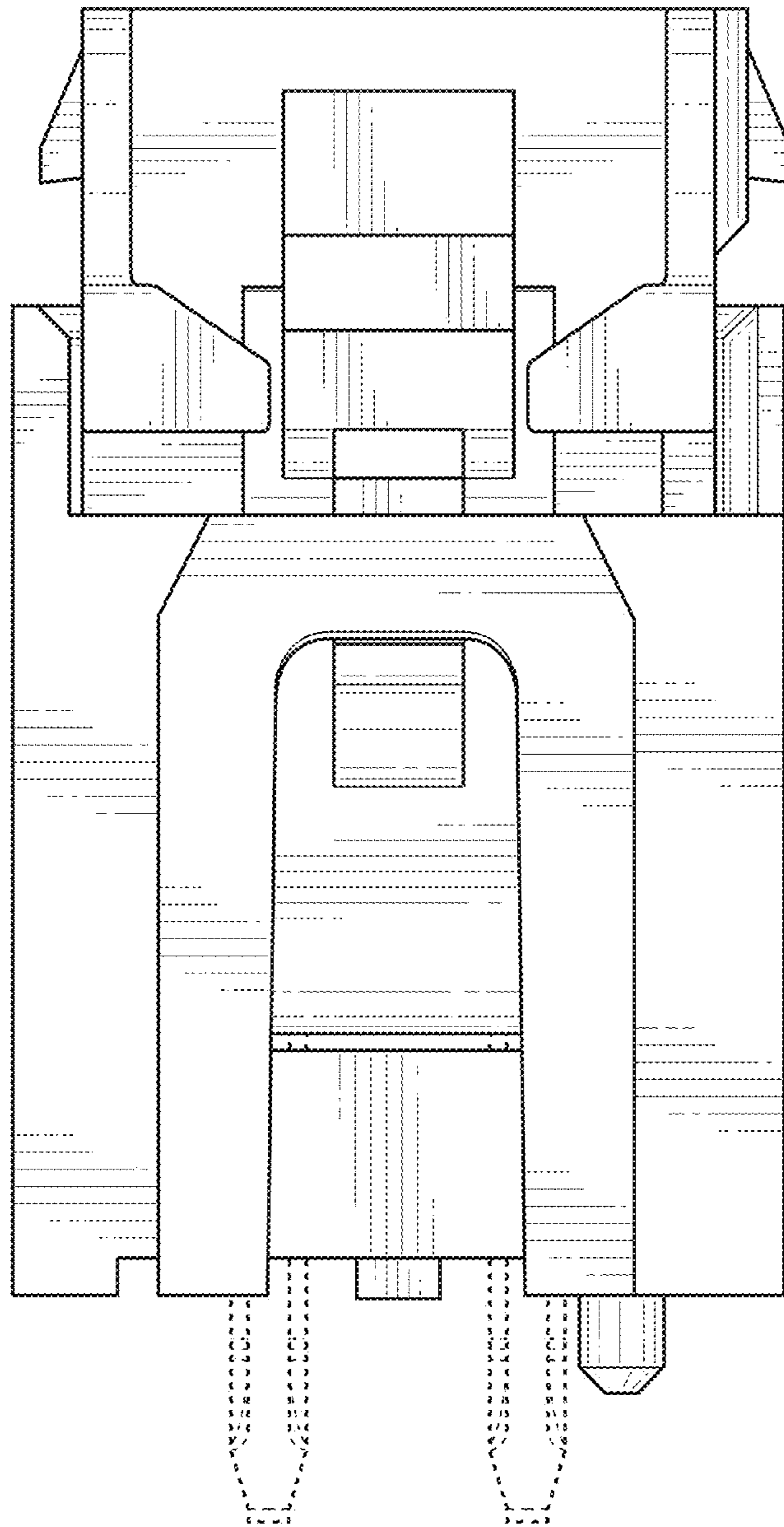


FIG. 7

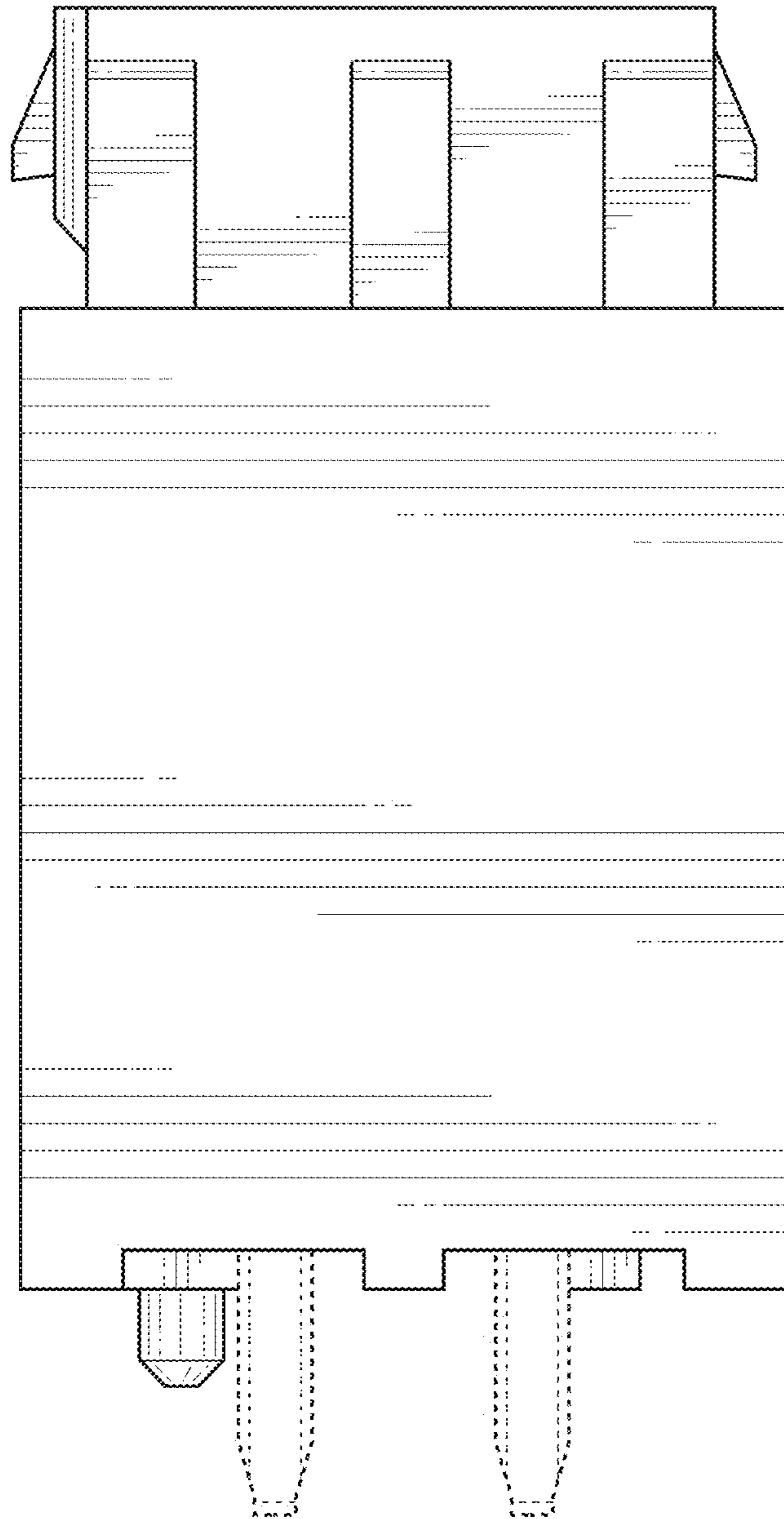


FIG. 8

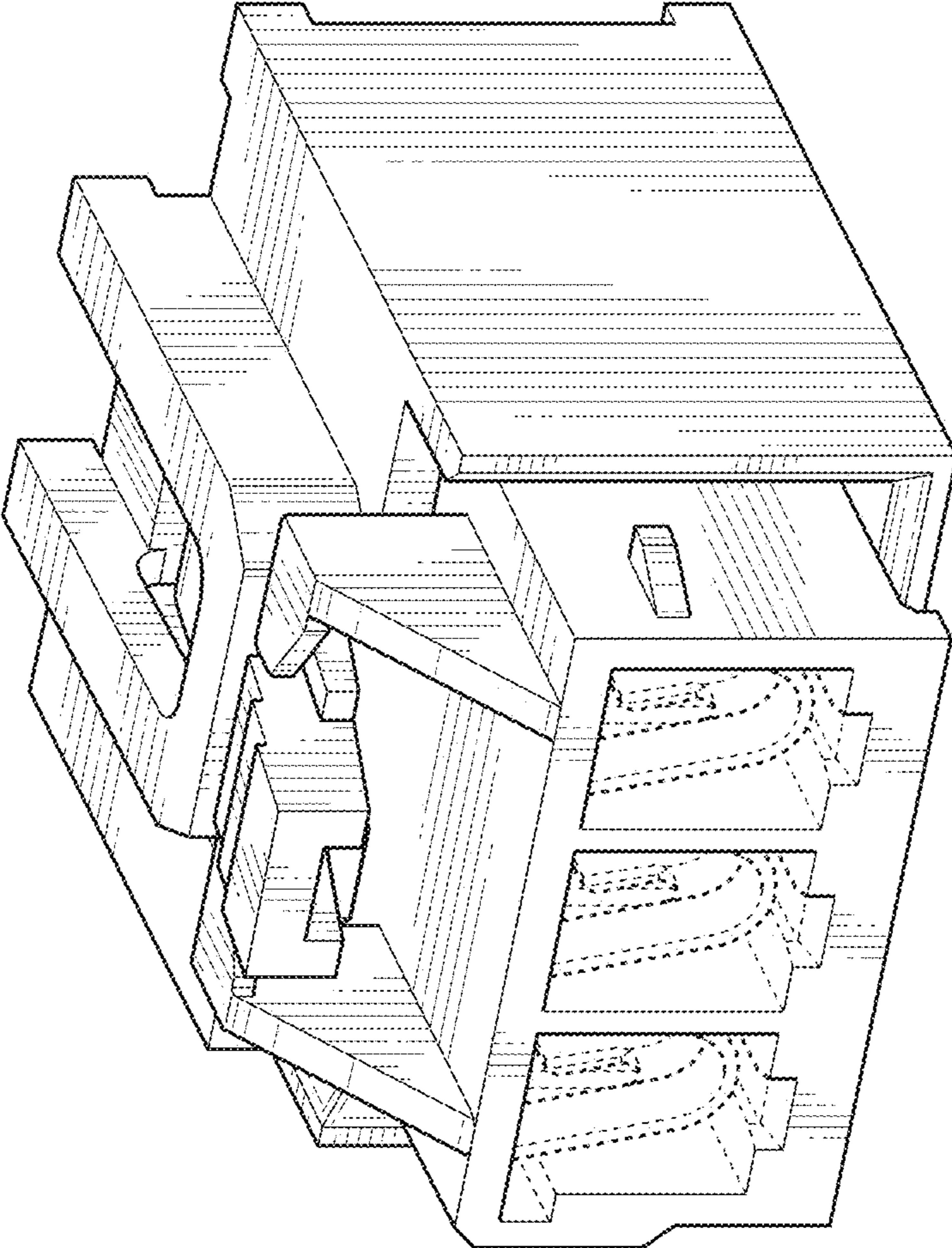


FIG. 9

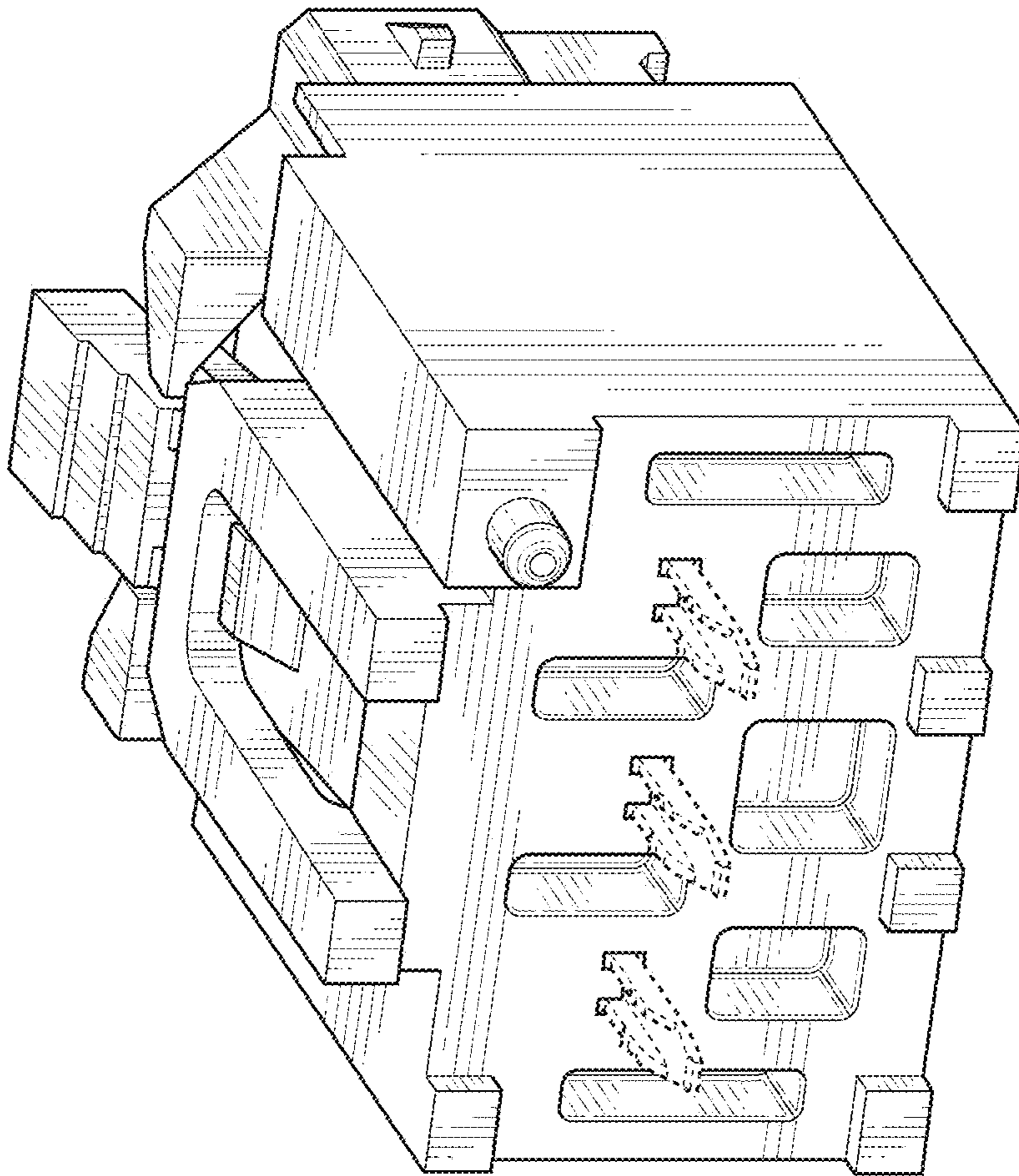


FIG. 10

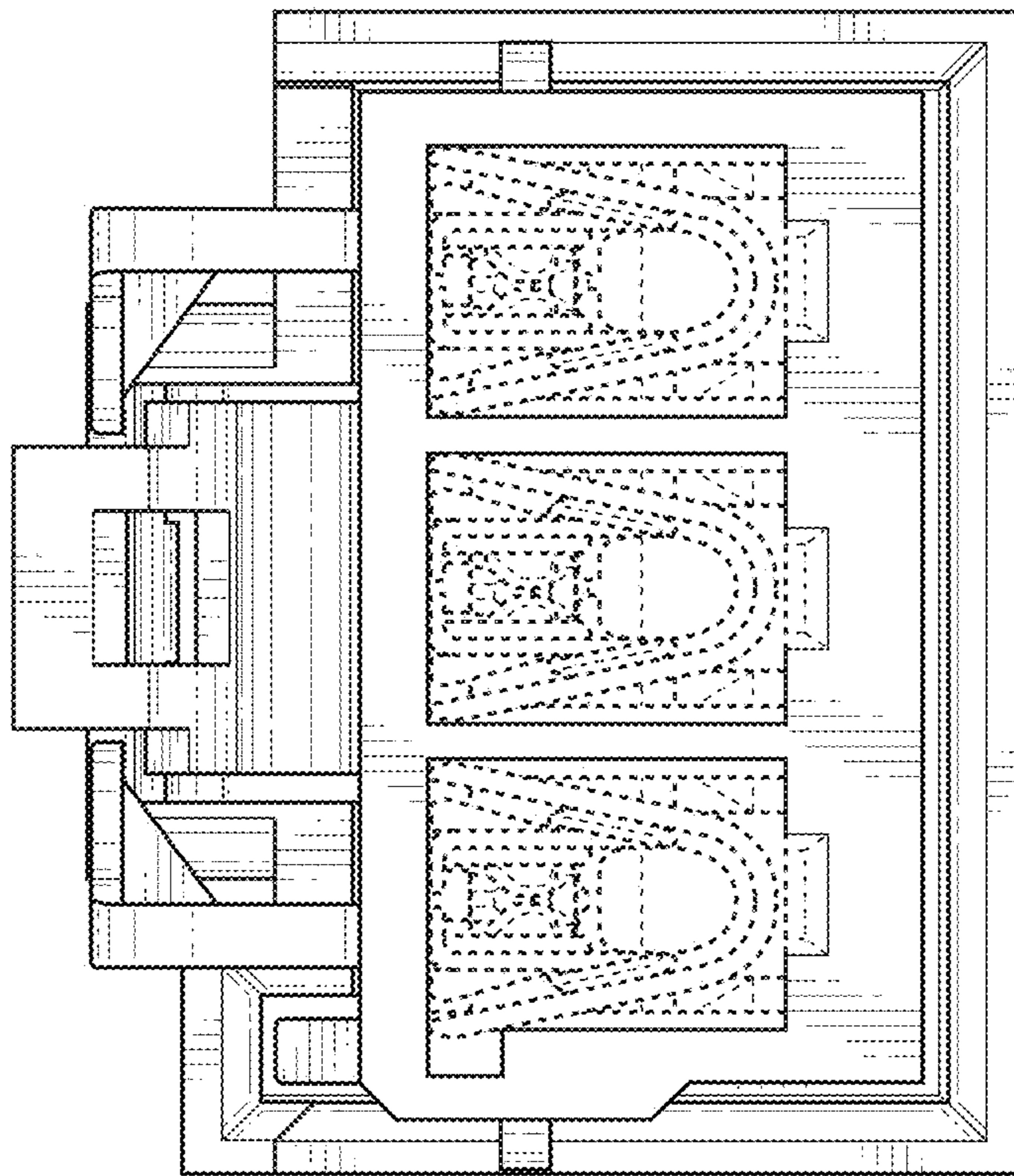


FIG. 11

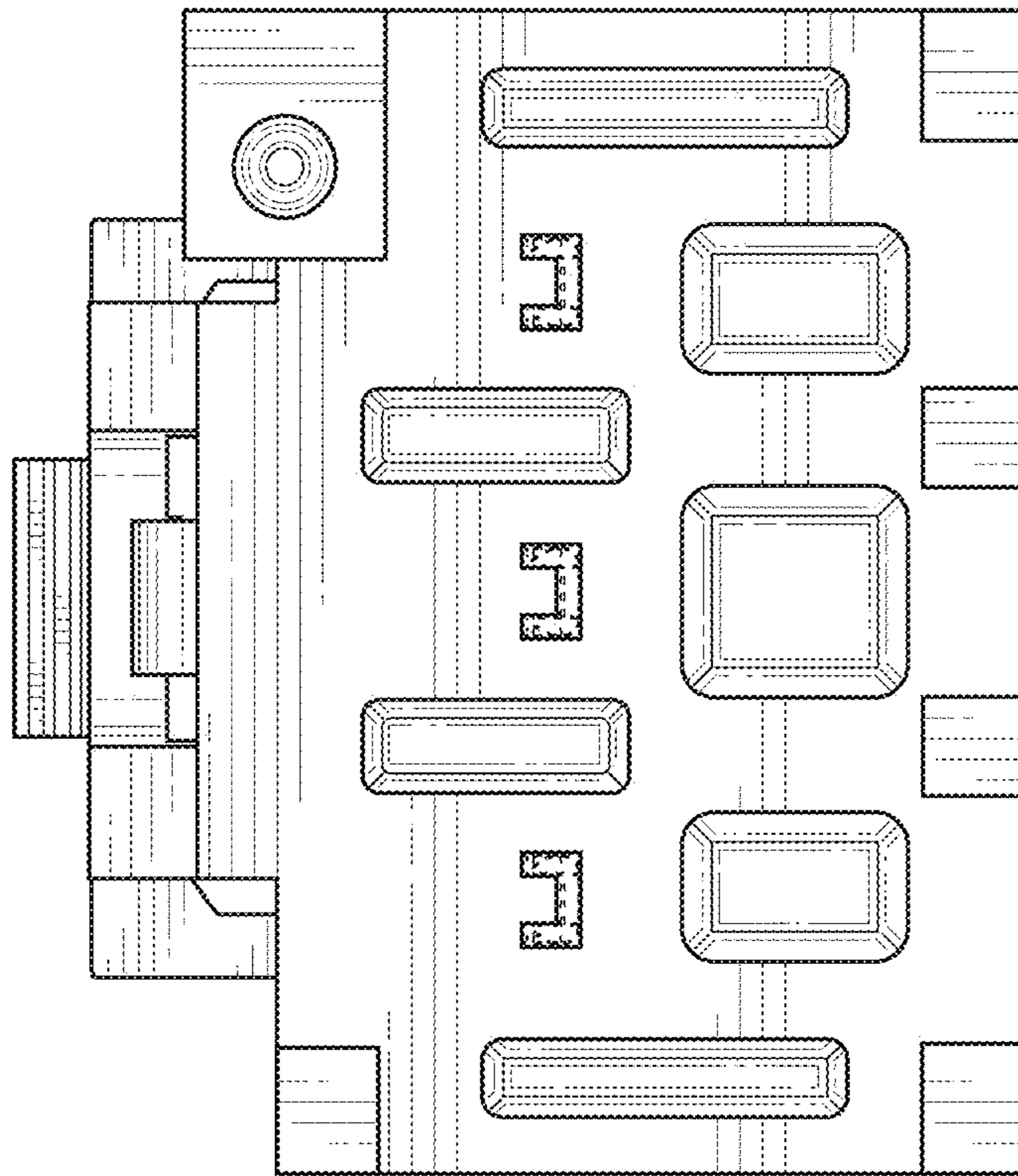


FIG. 12

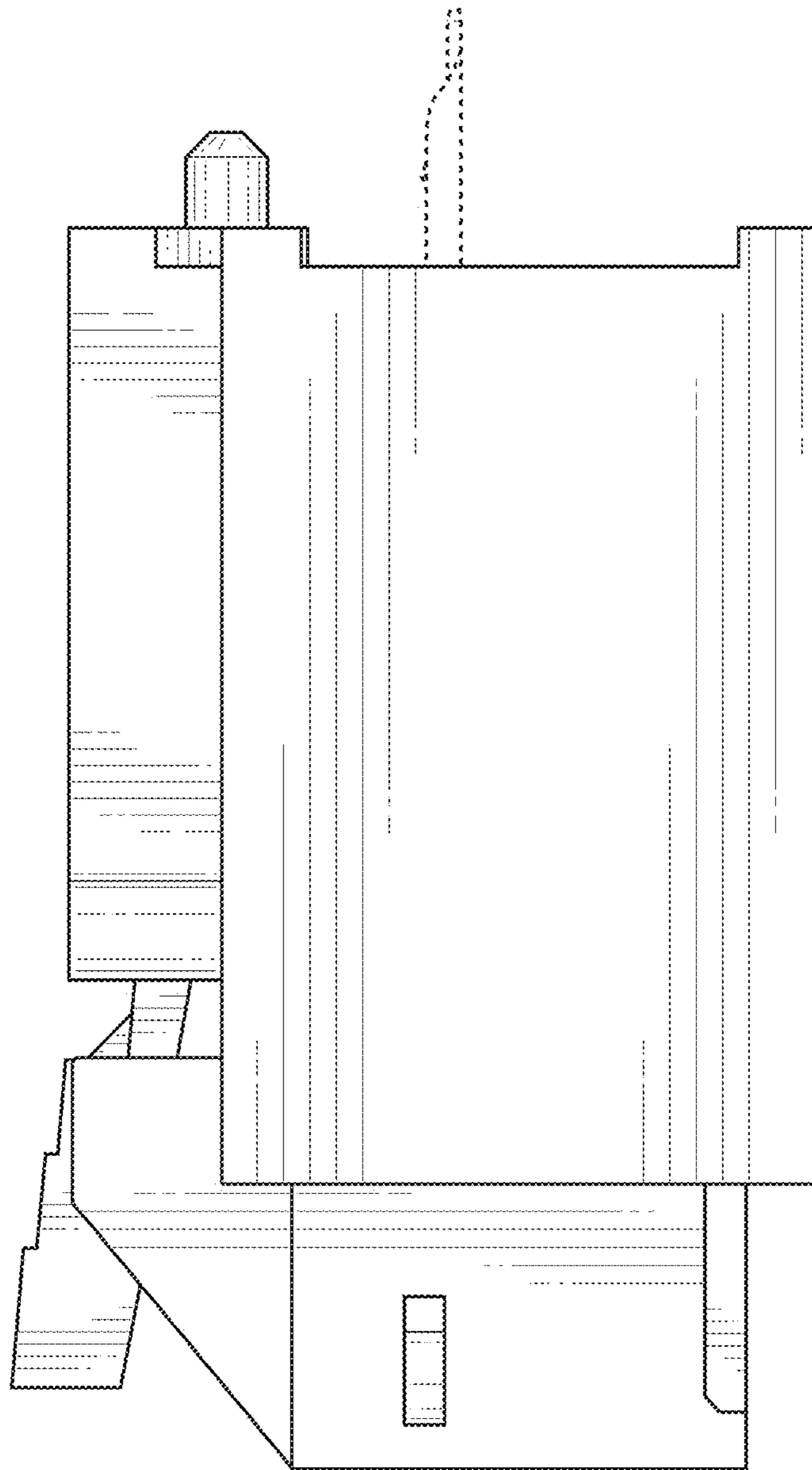


FIG. 13

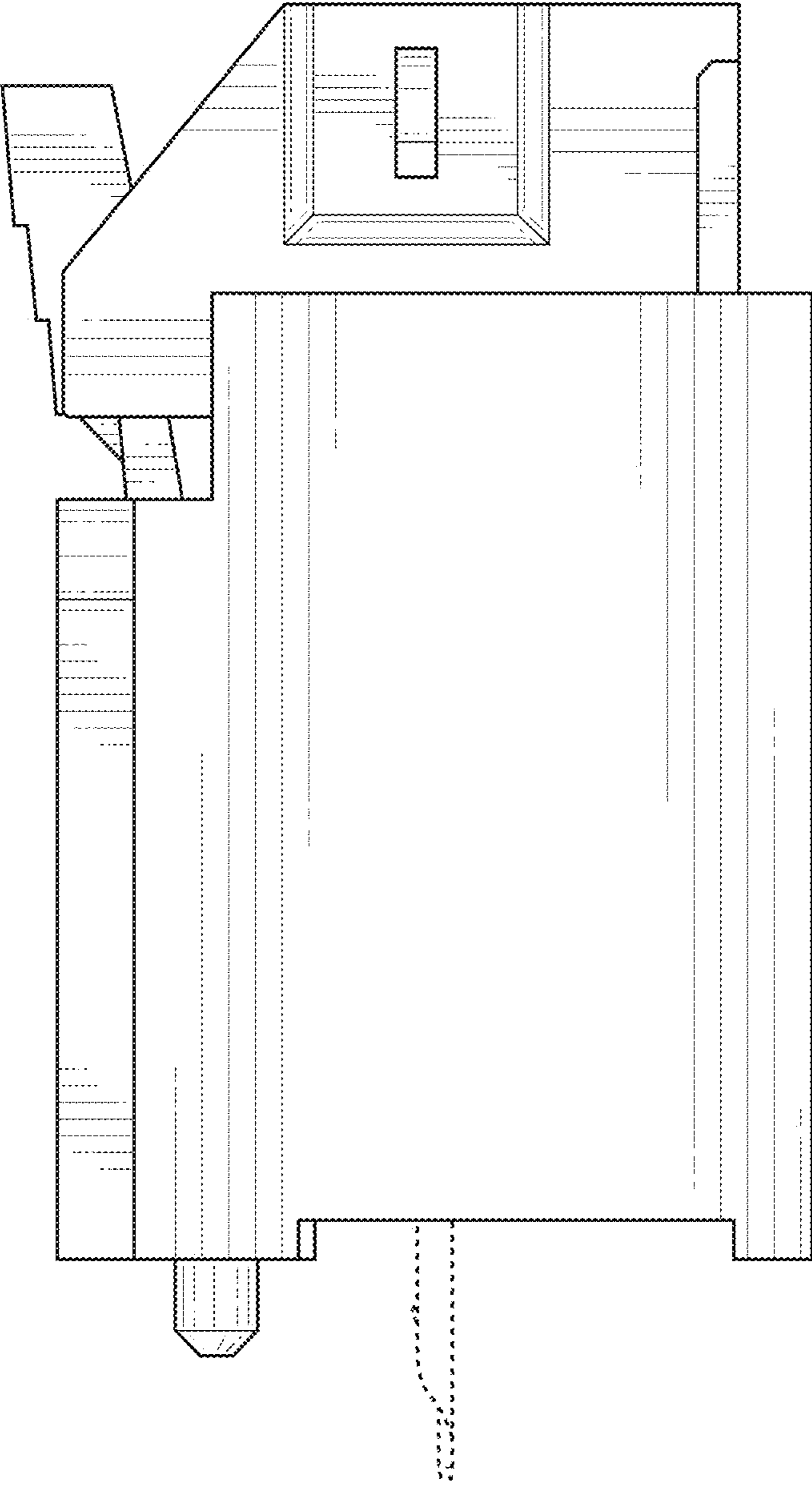


FIG. 14



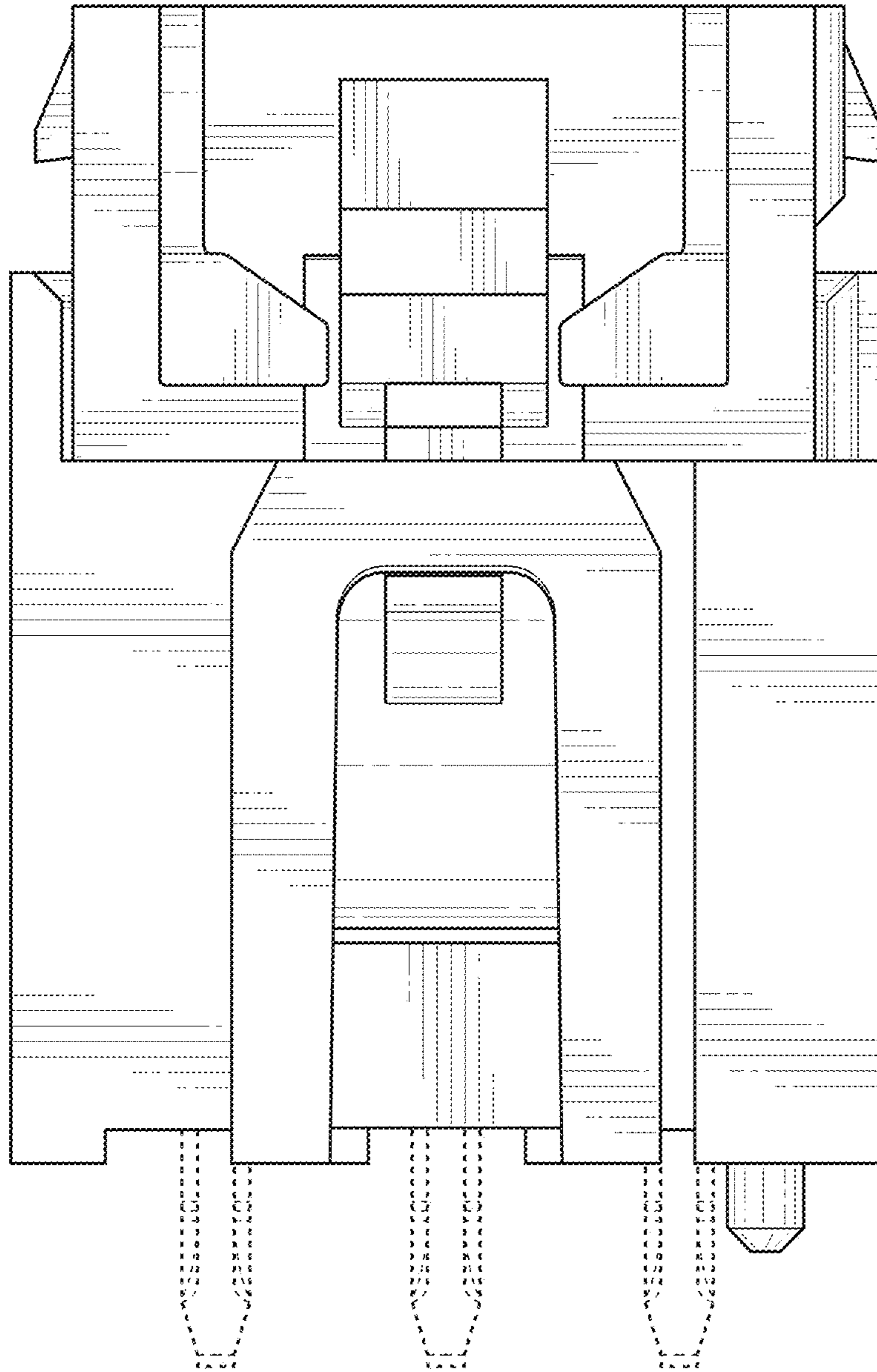


FIG. 15

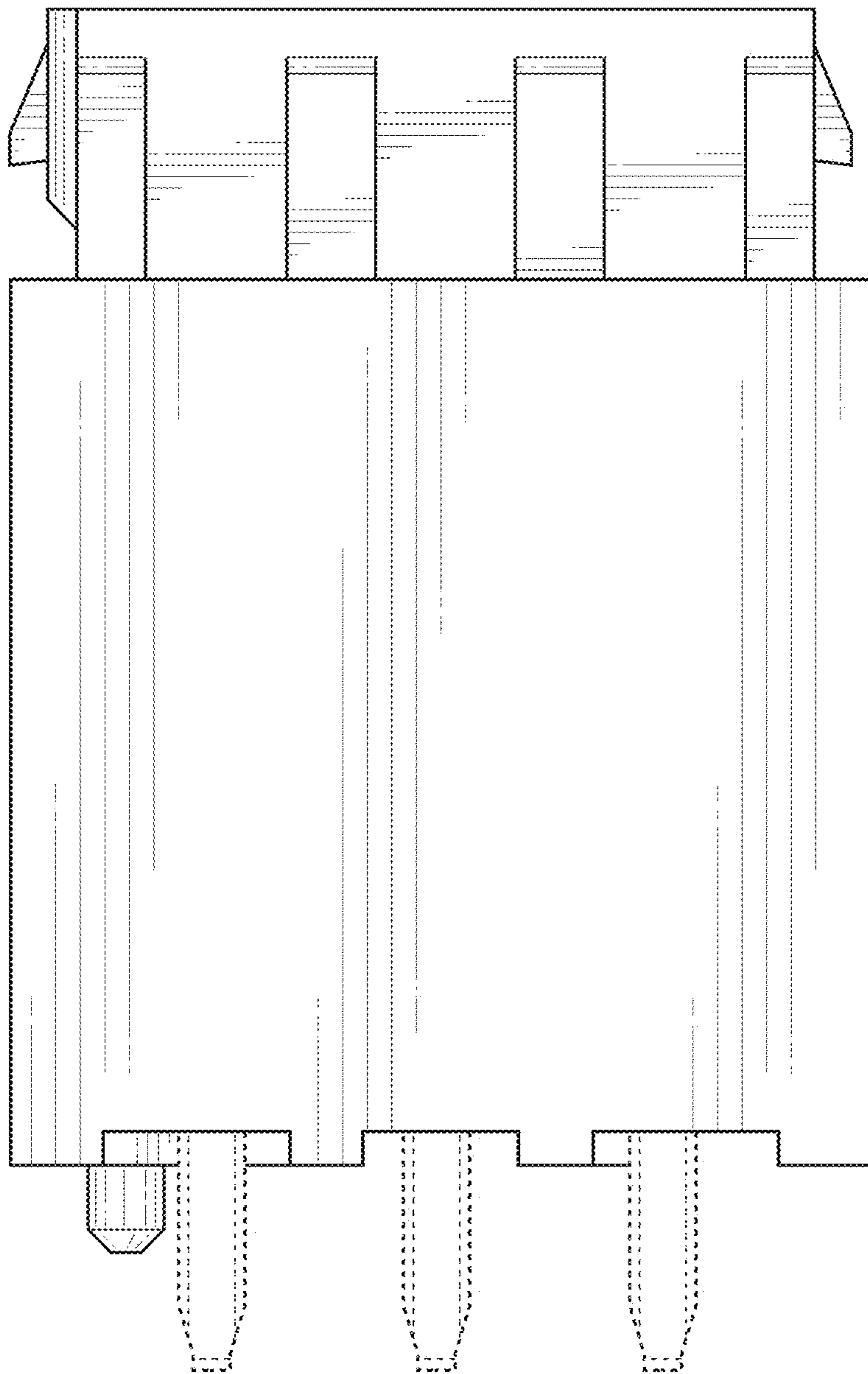


FIG. 16

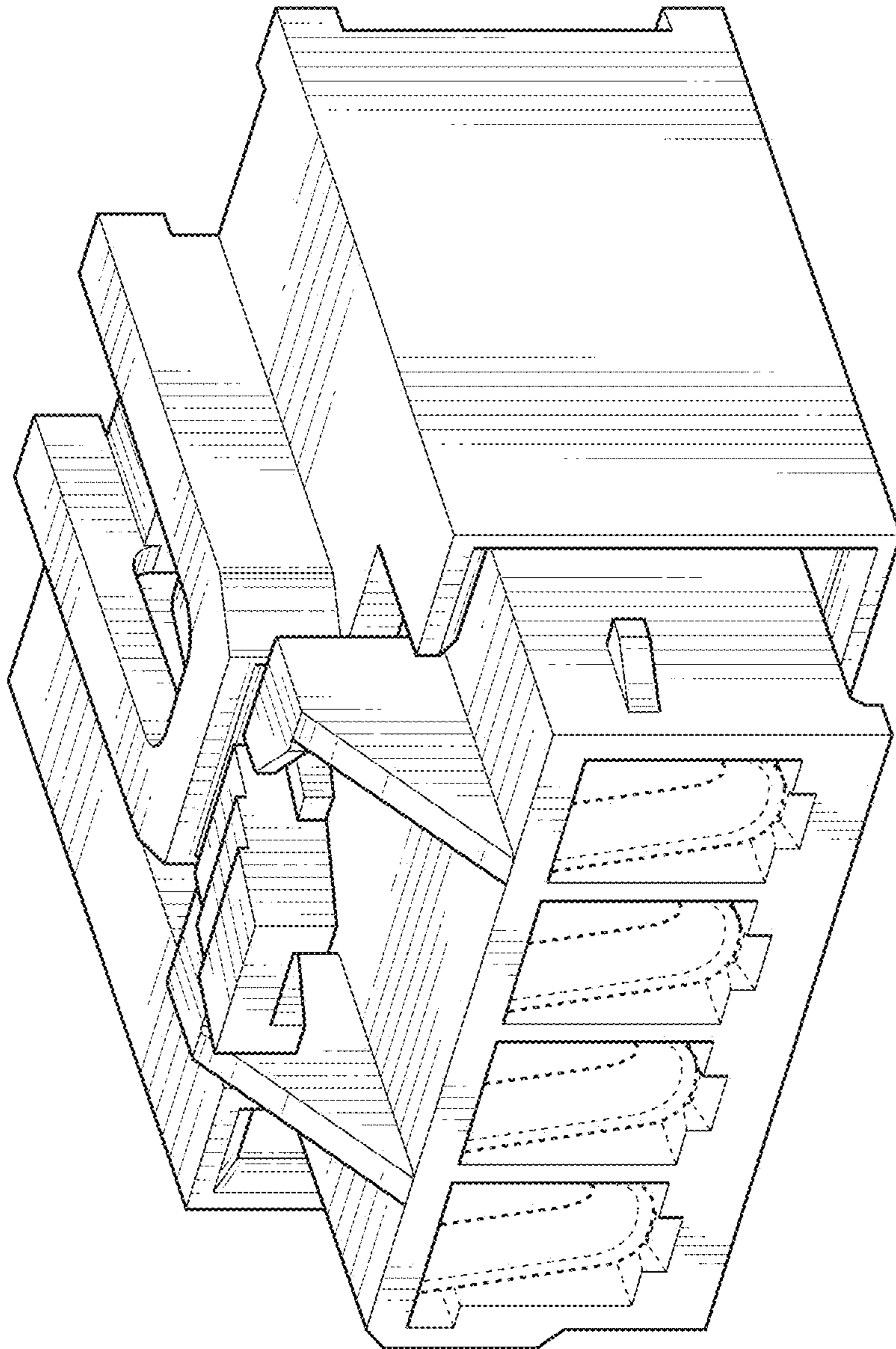


FIG. 17

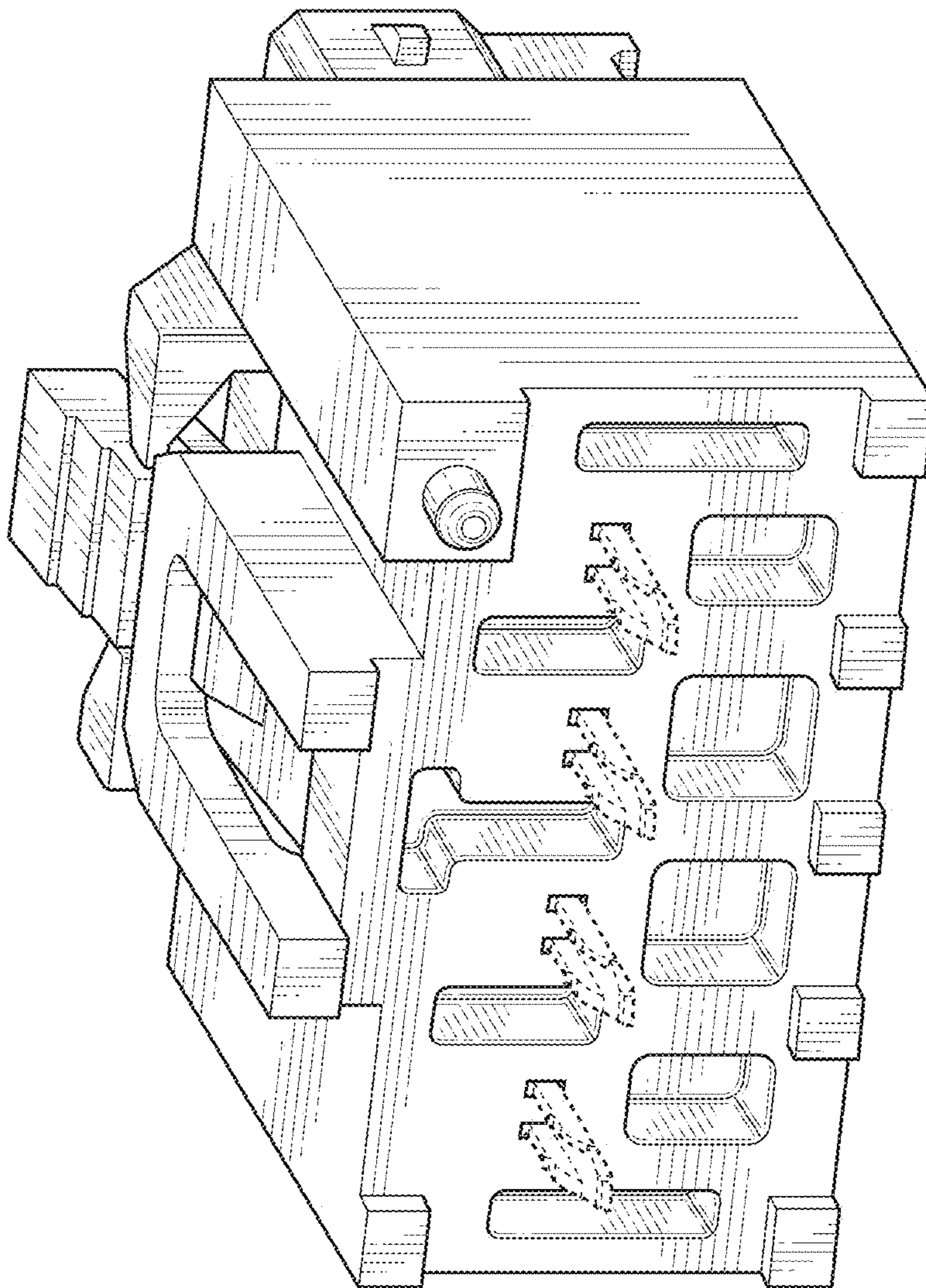


FIG. 18

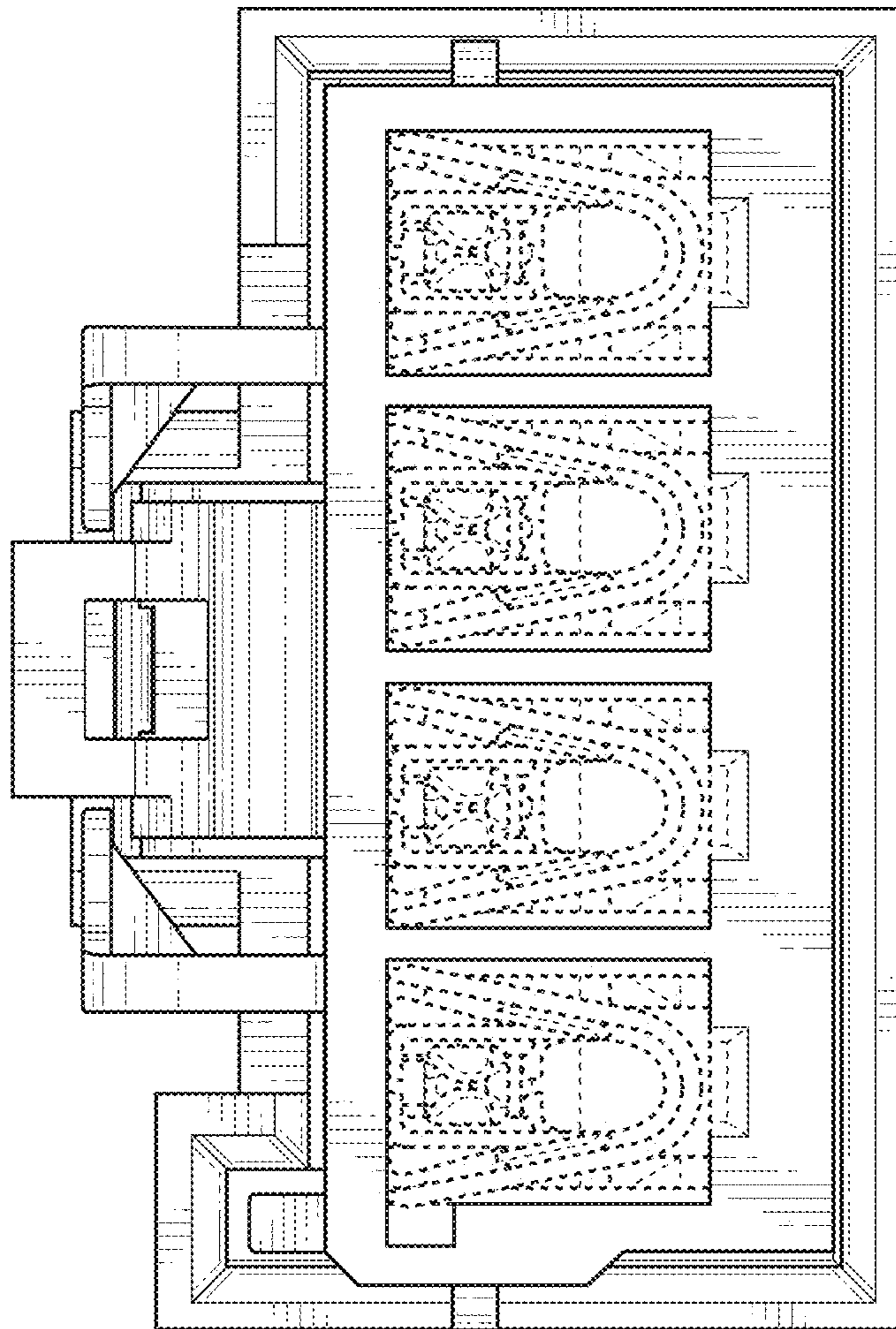


FIG. 19

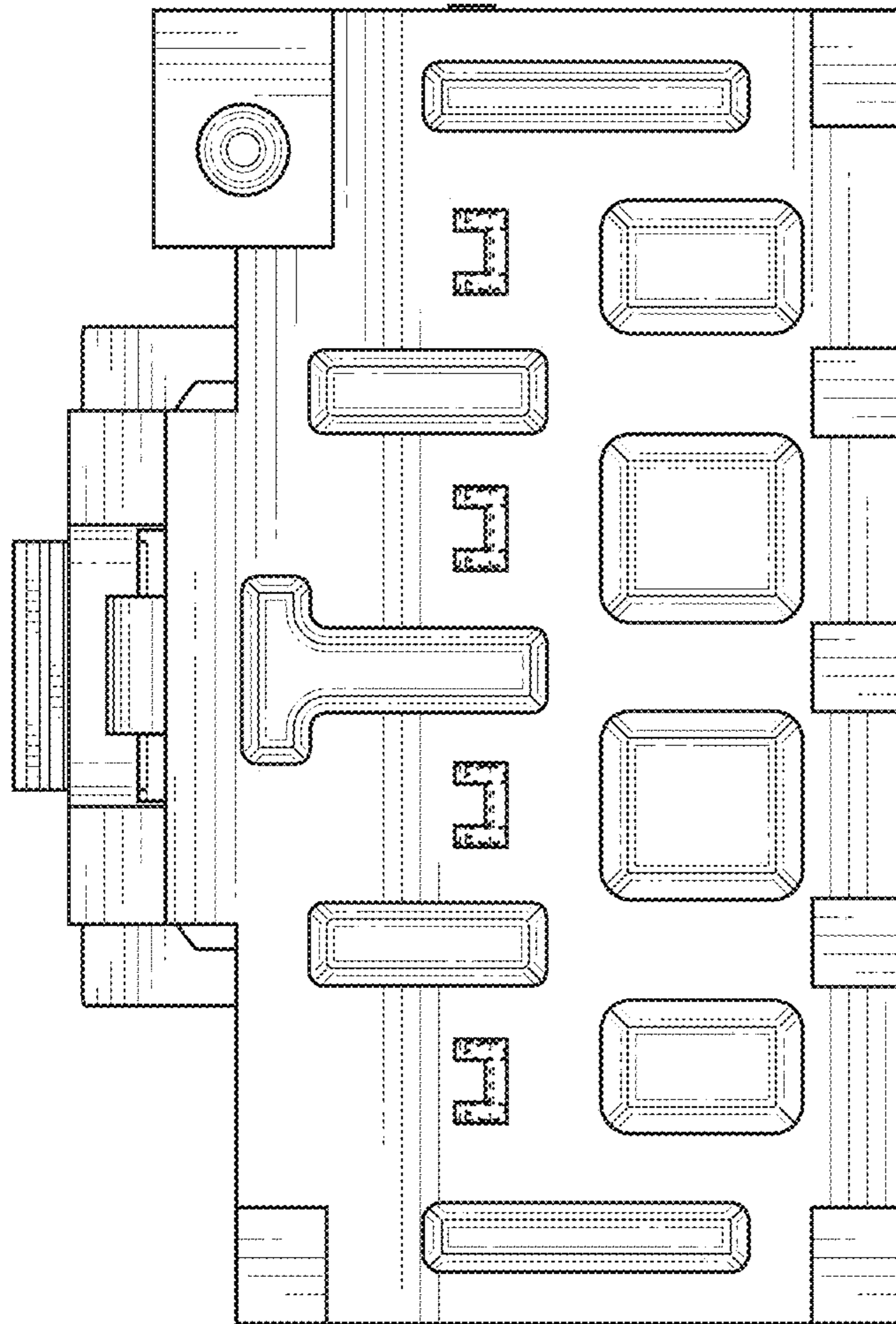


FIG. 20

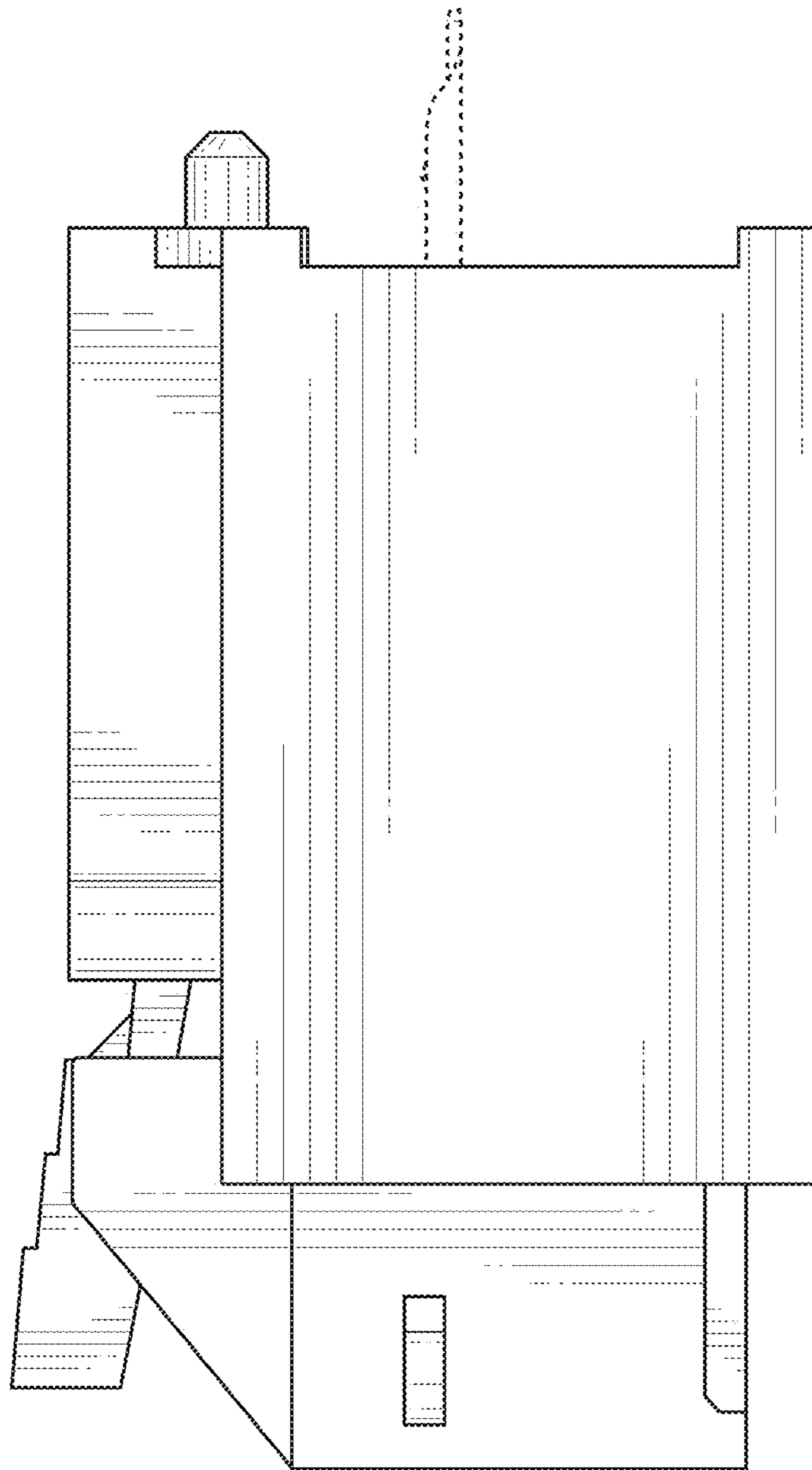


FIG. 21

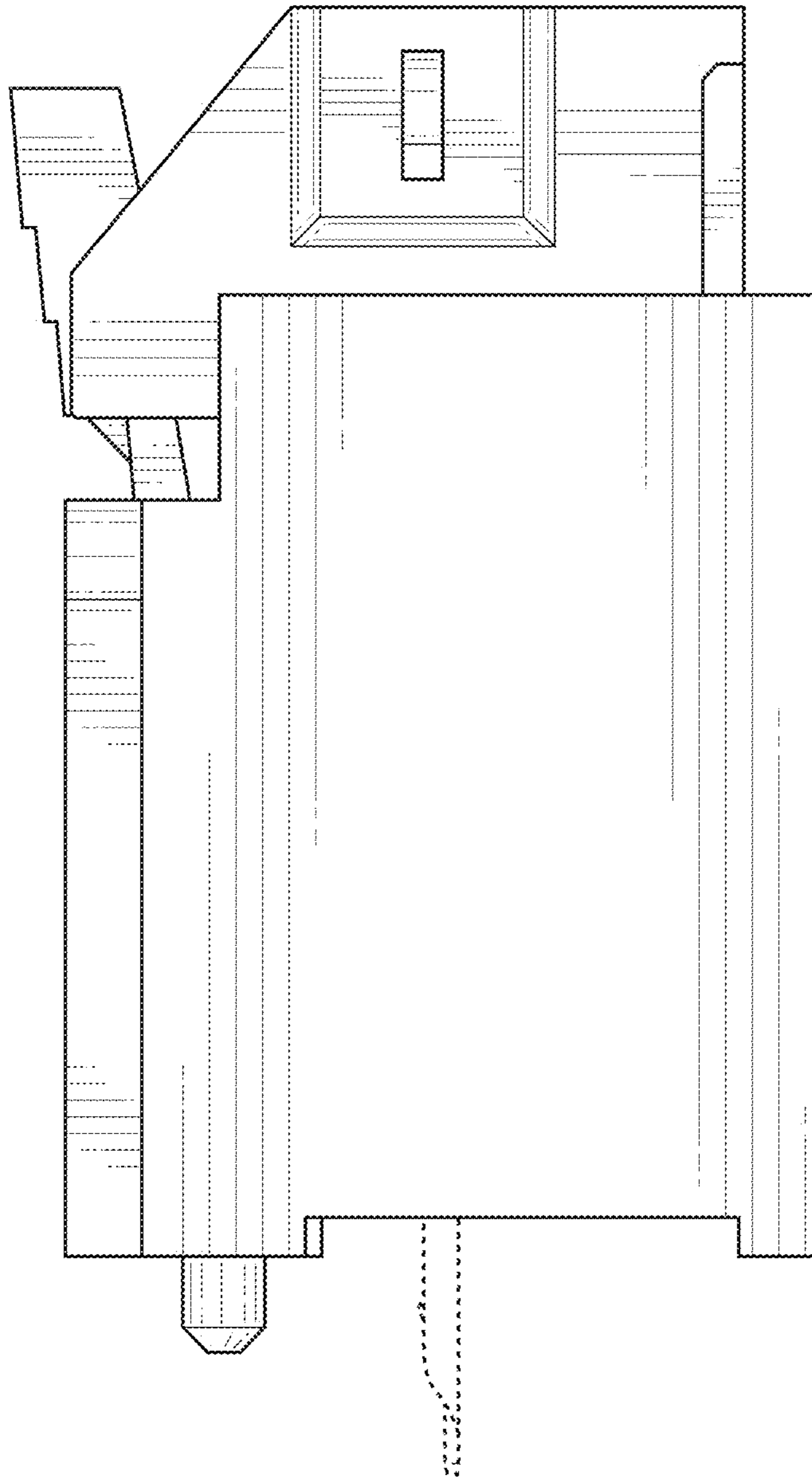


FIG. 22



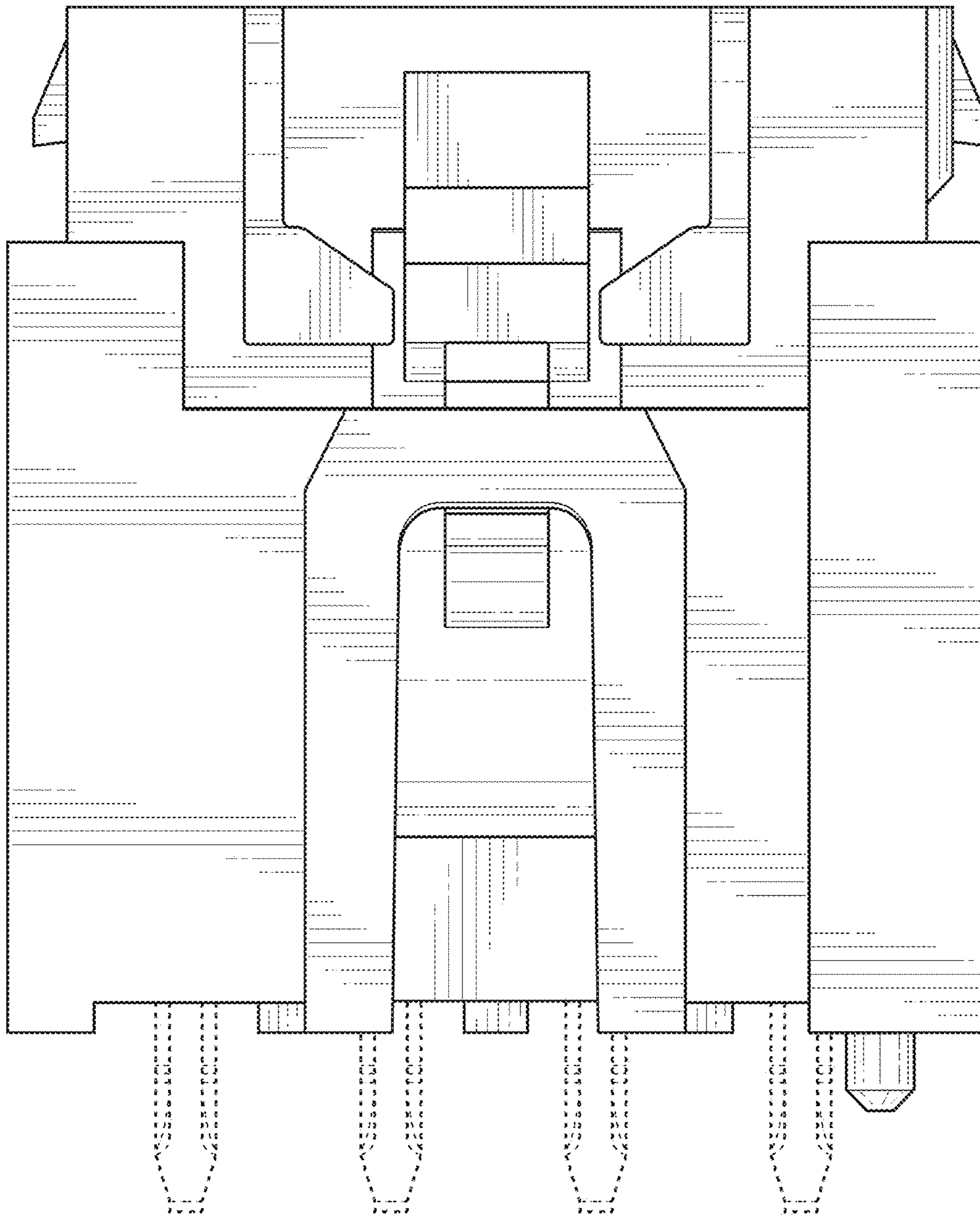


FIG. 23

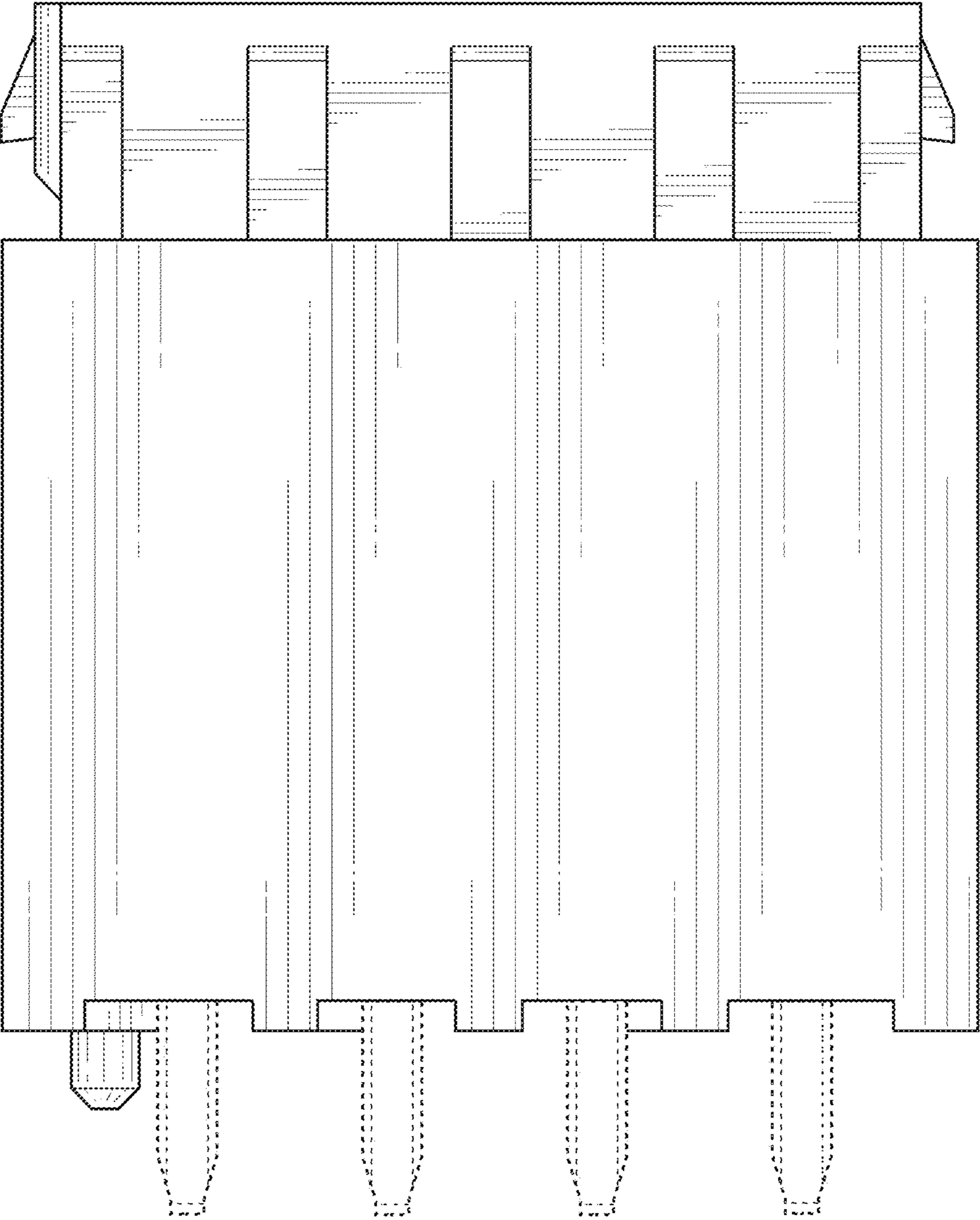


FIG. 24

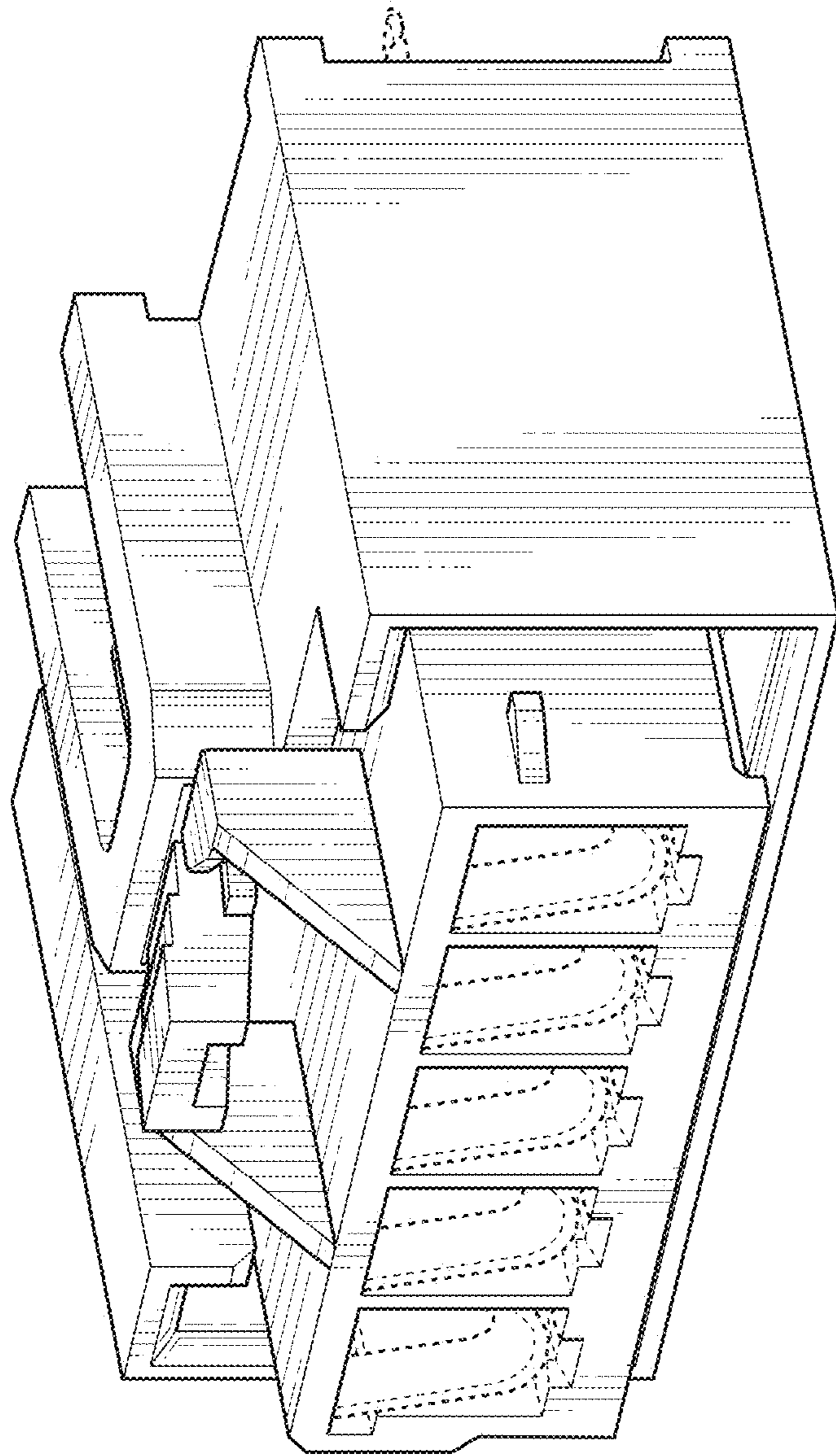


FIG. 25

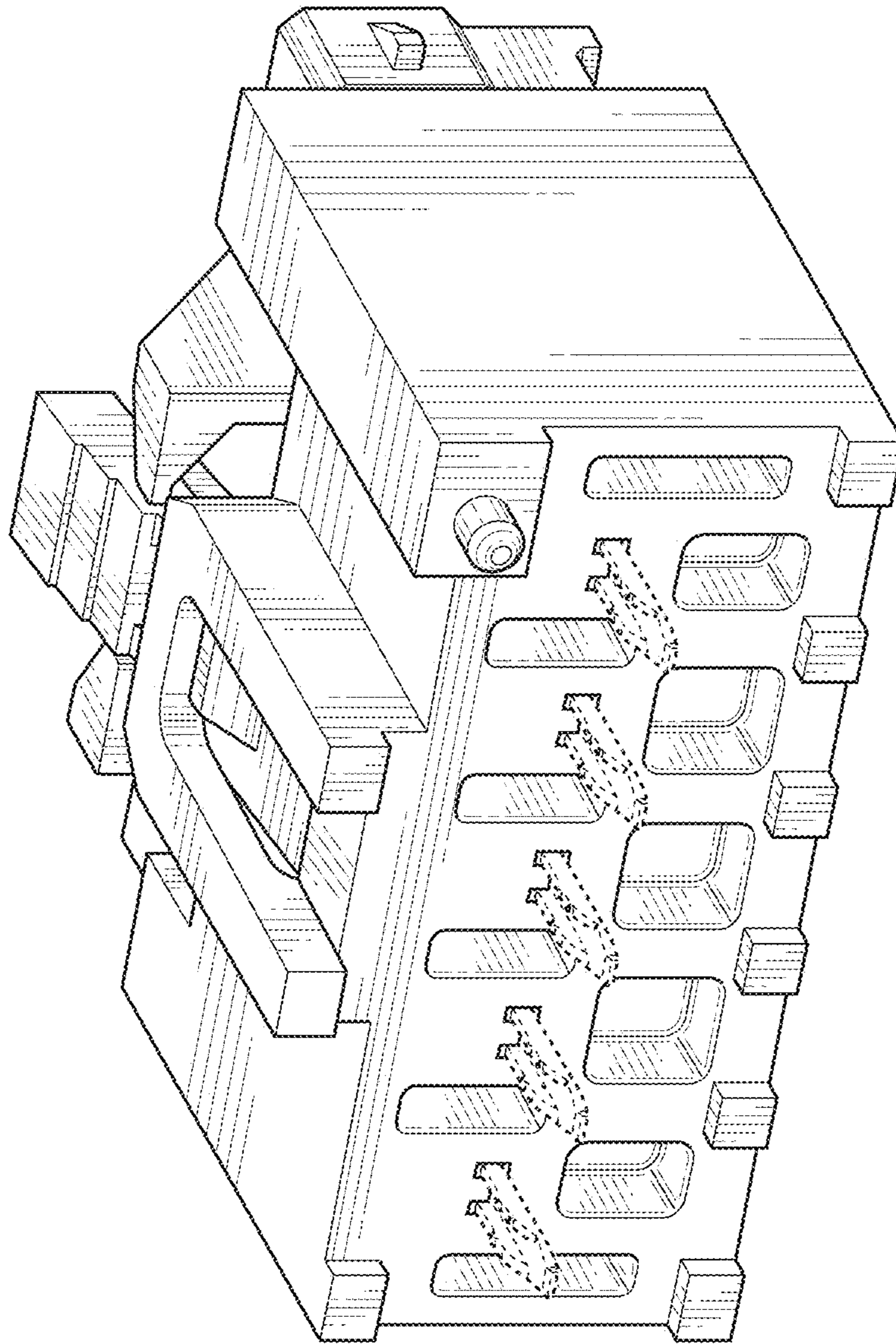


FIG. 26

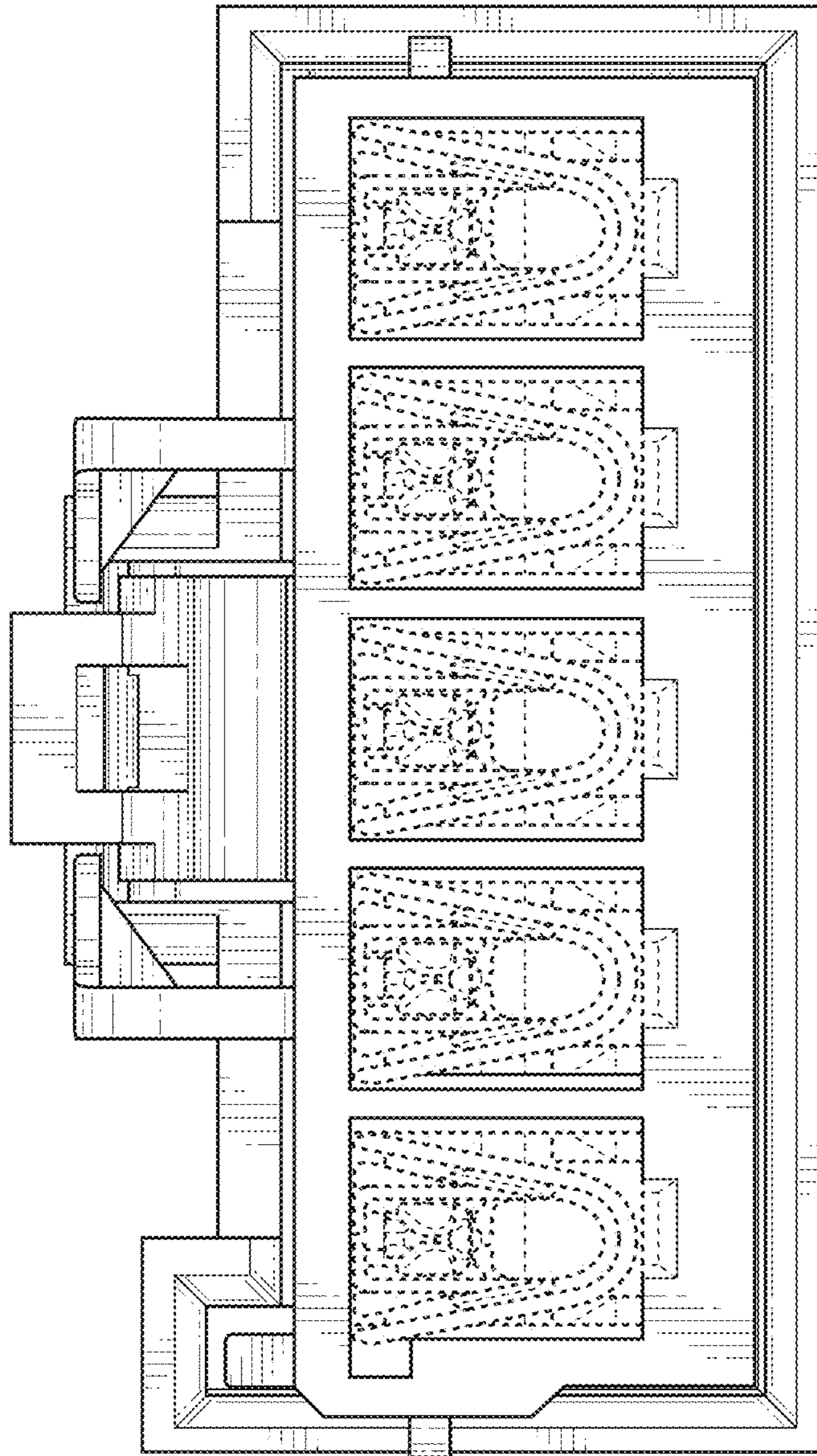


FIG. 27

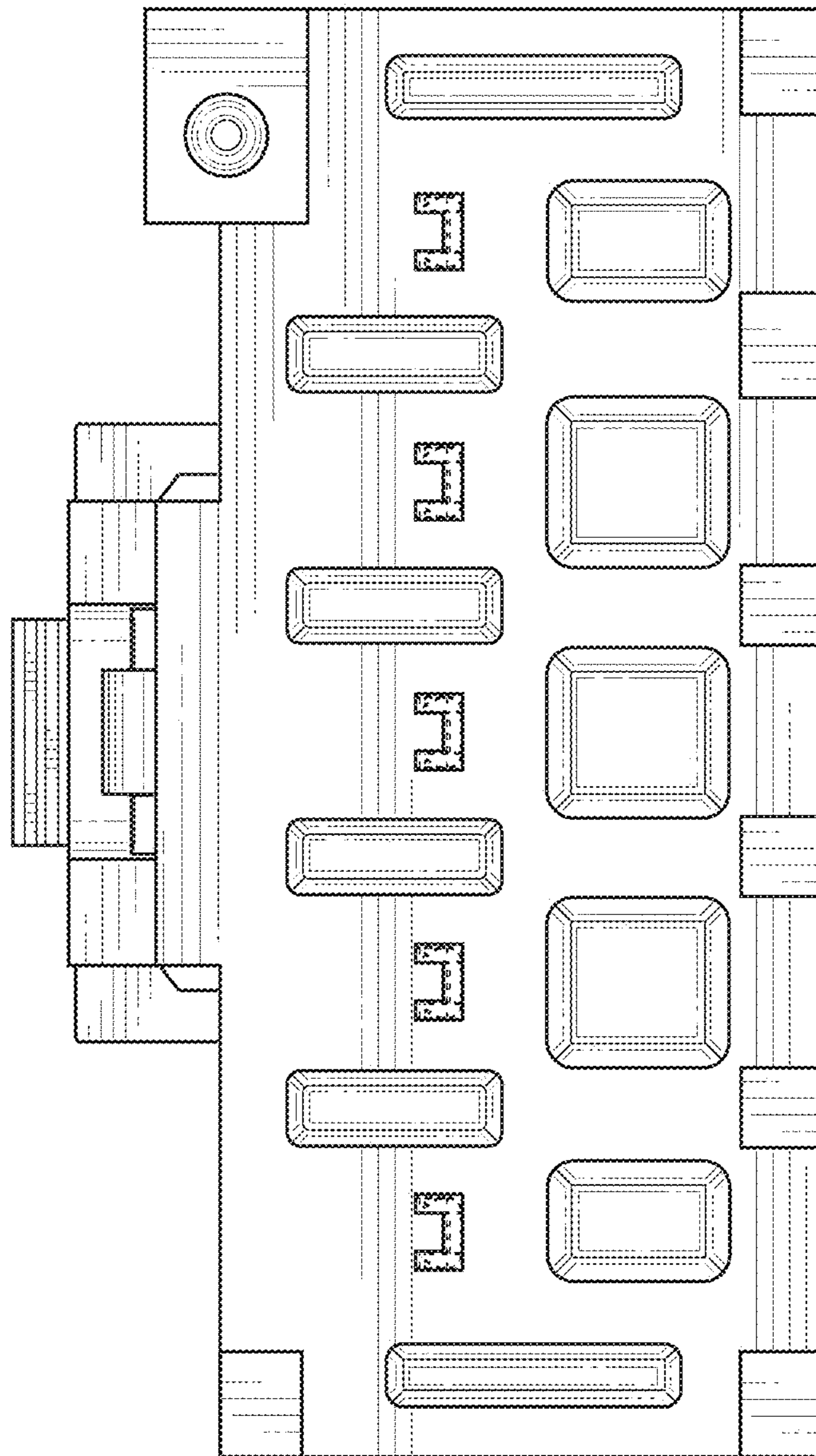


FIG. 28

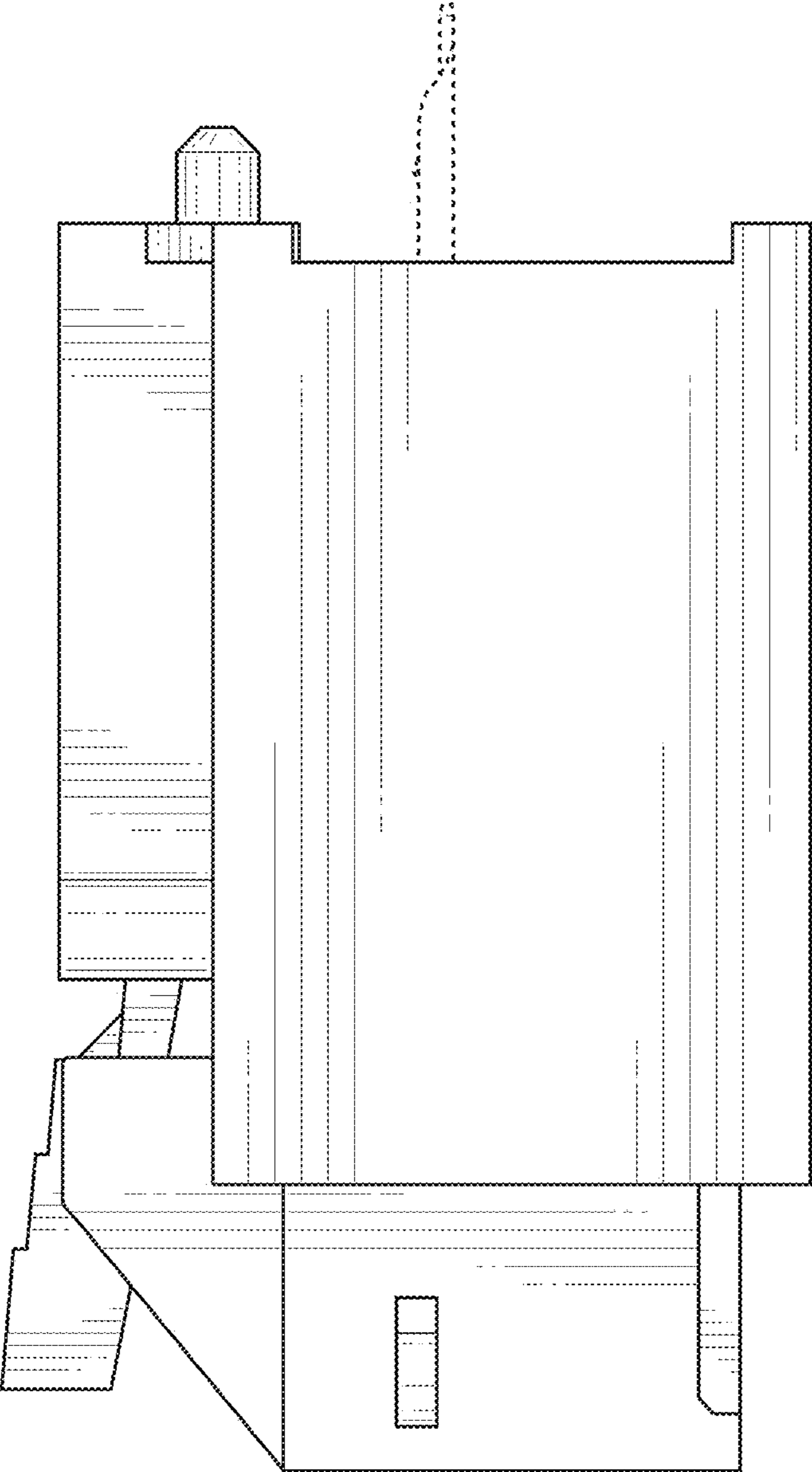


FIG. 29

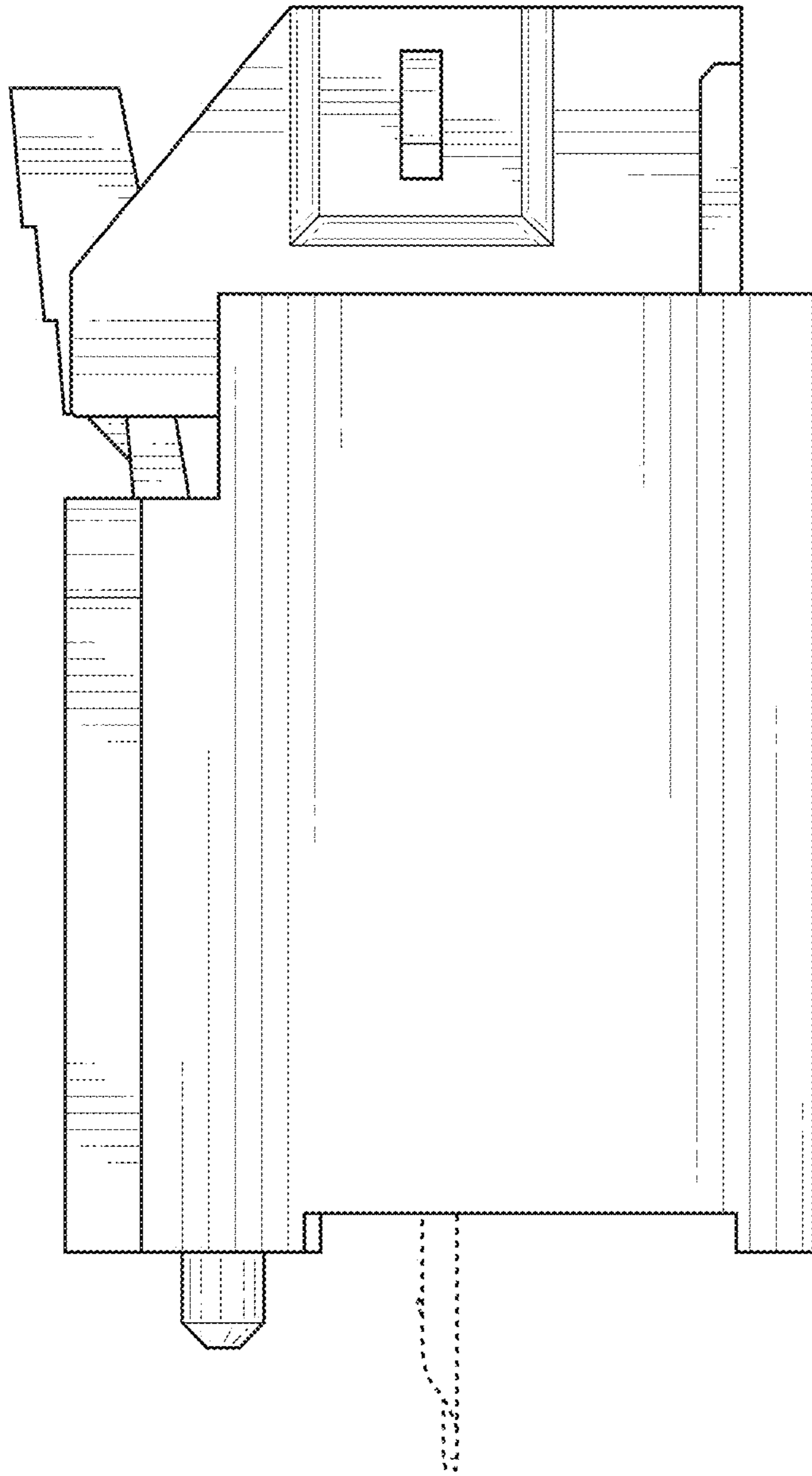


FIG. 30



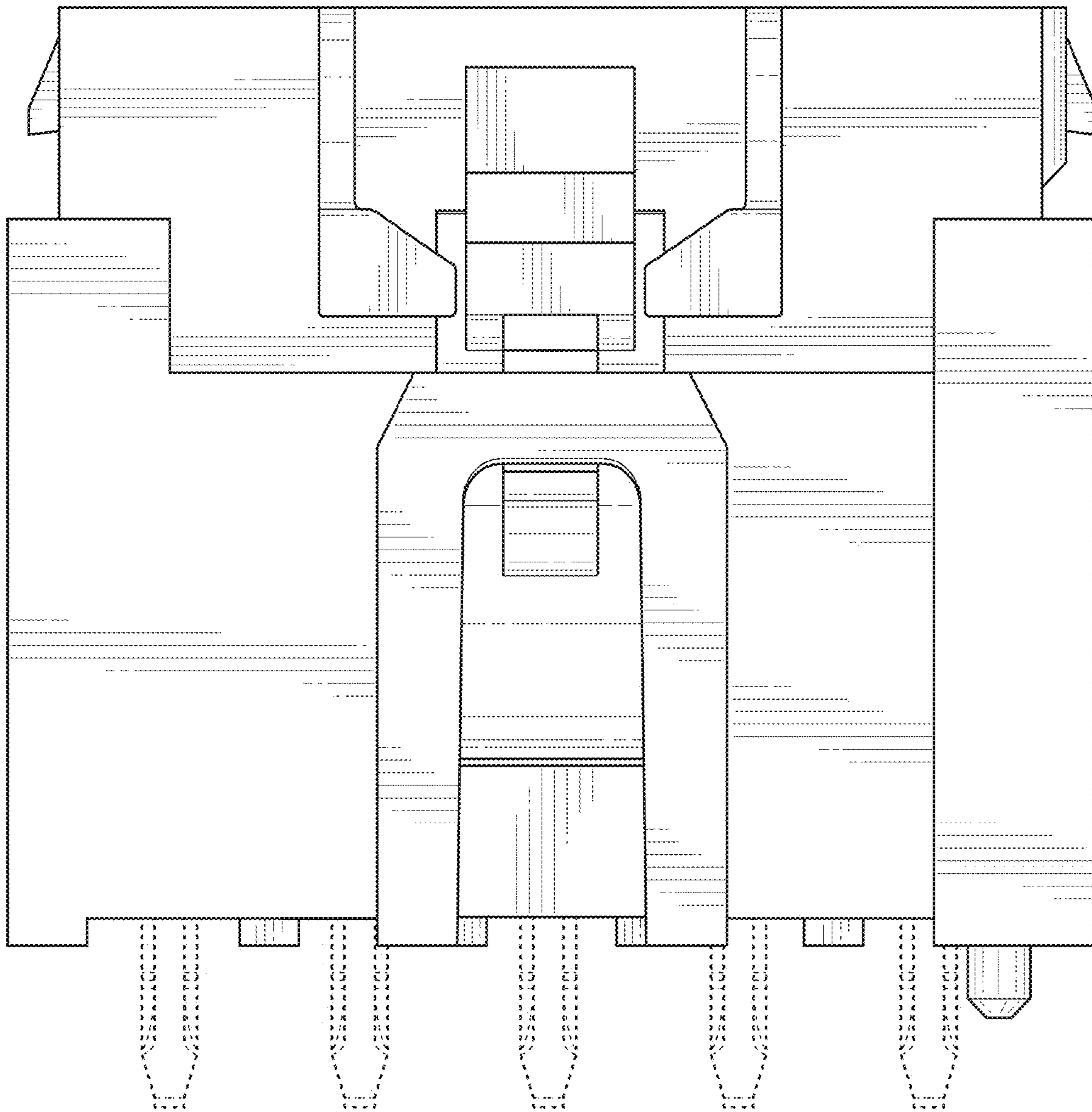


FIG. 31

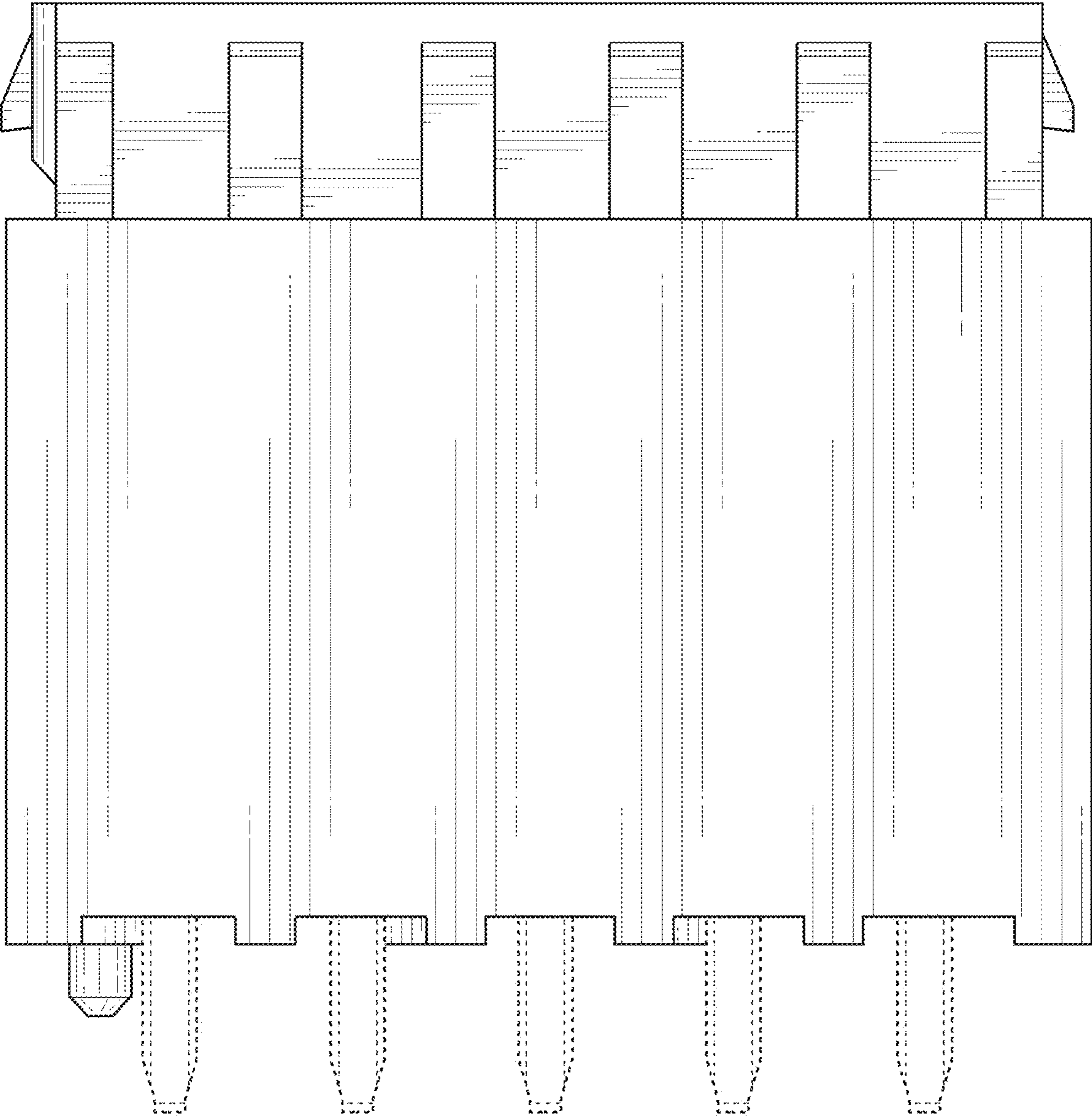


FIG. 32

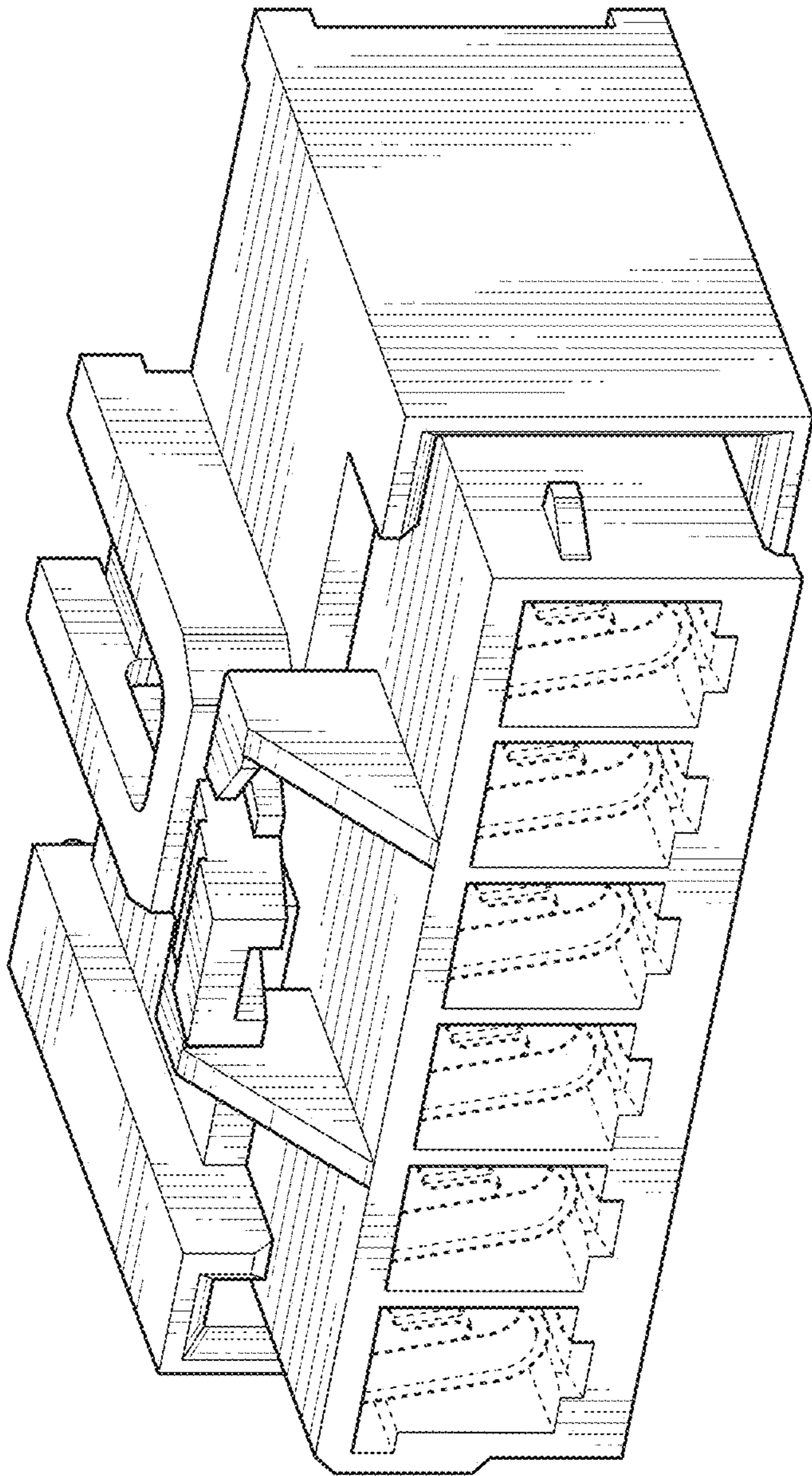


FIG. 33

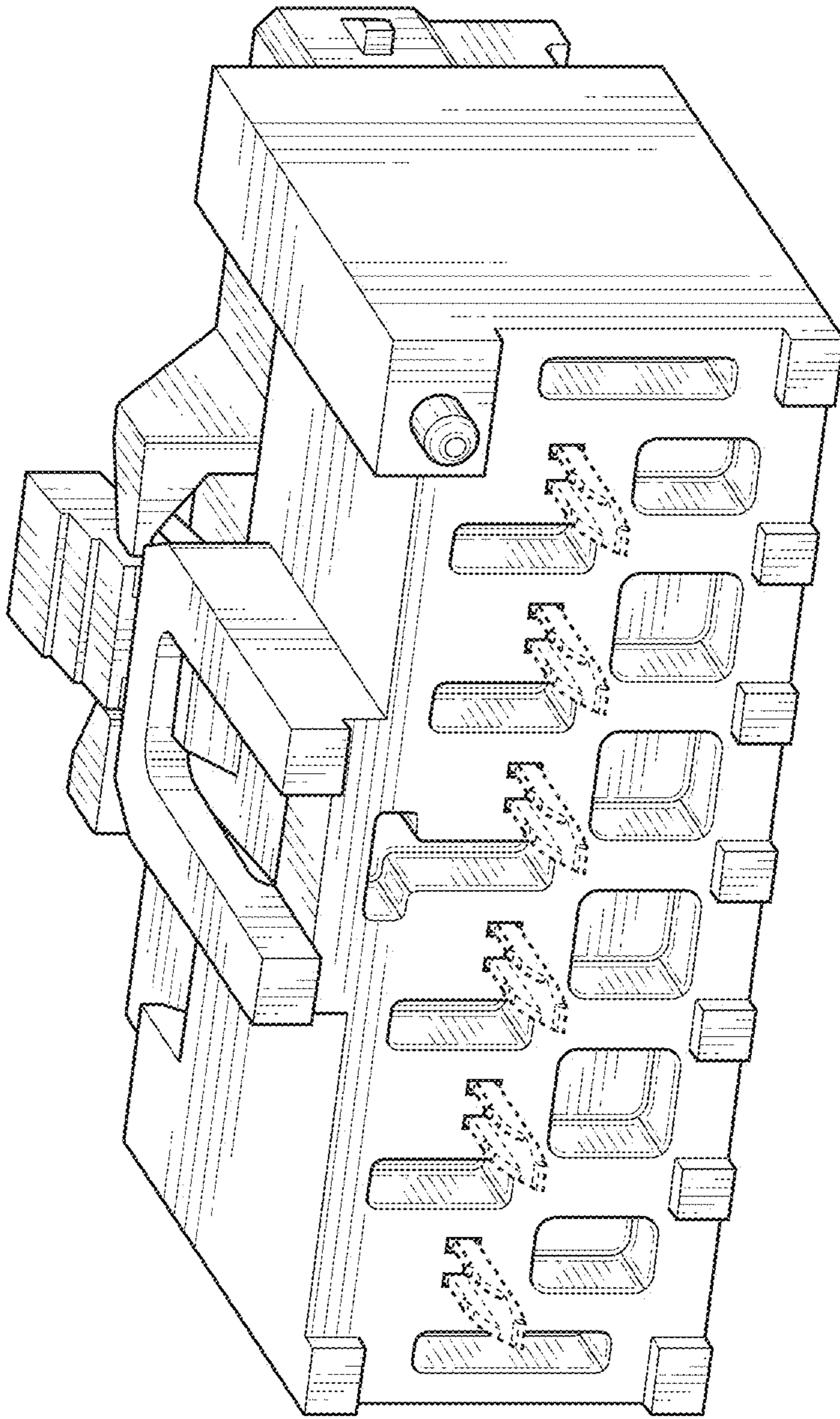


FIG. 34

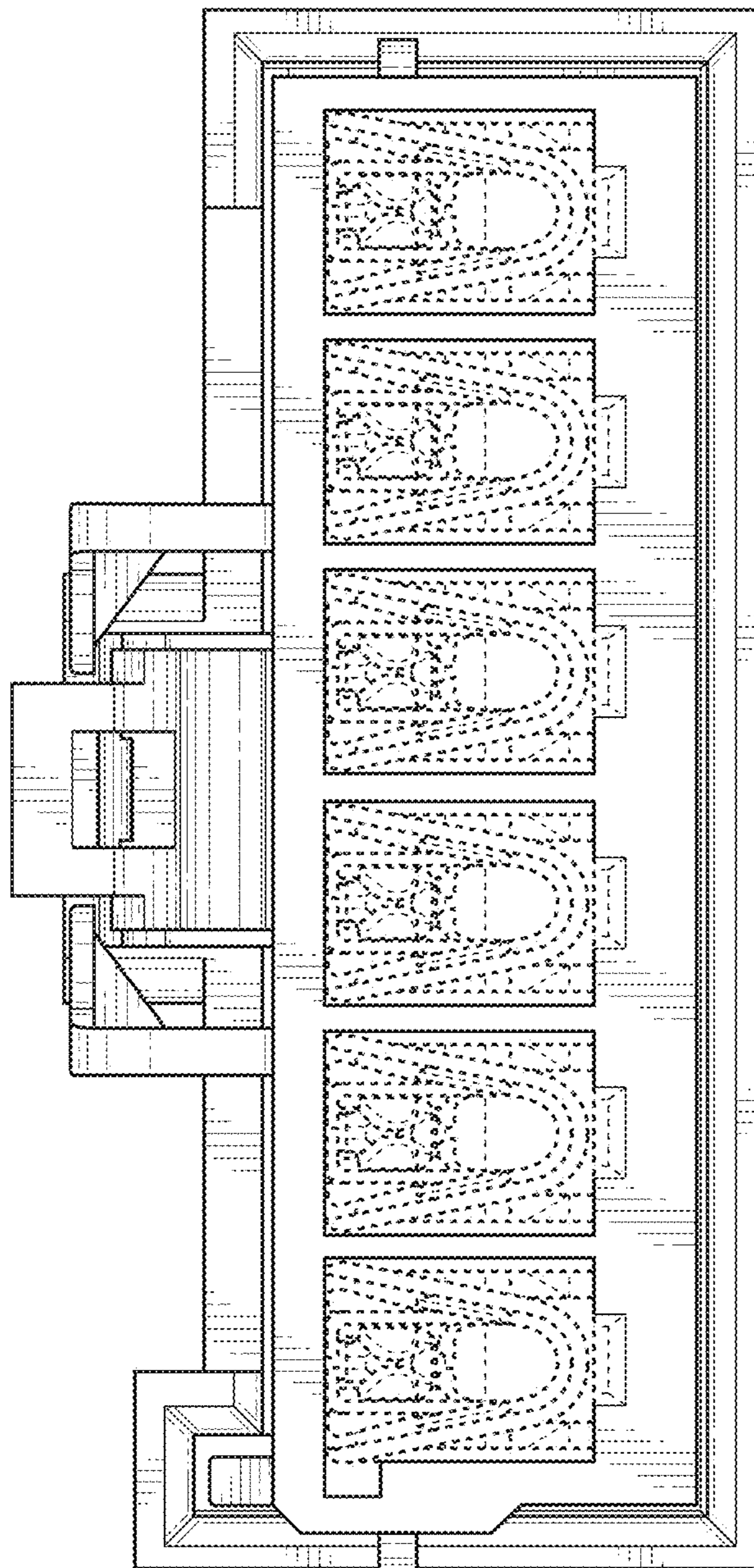


FIG. 35

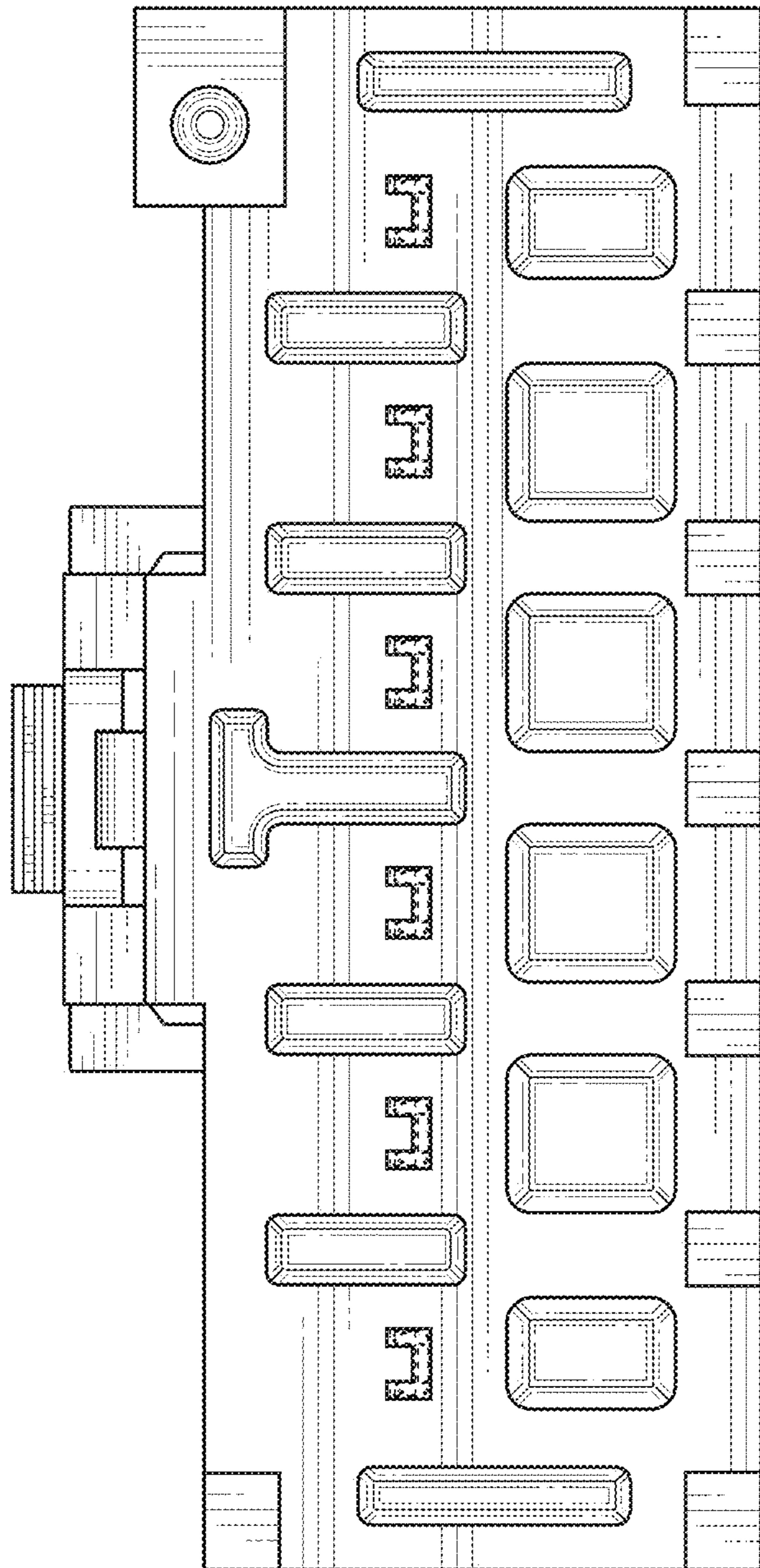


FIG. 36

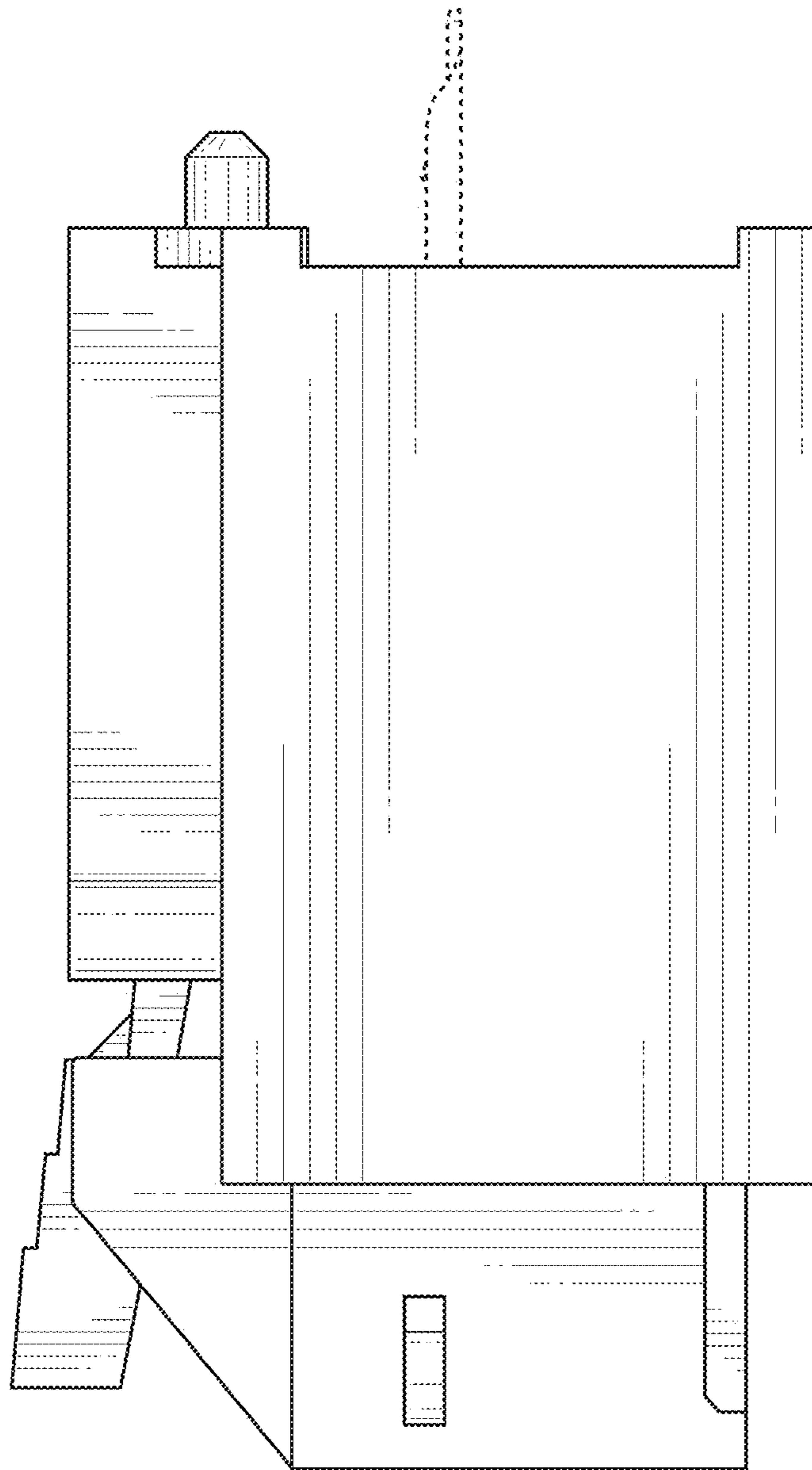


FIG. 37

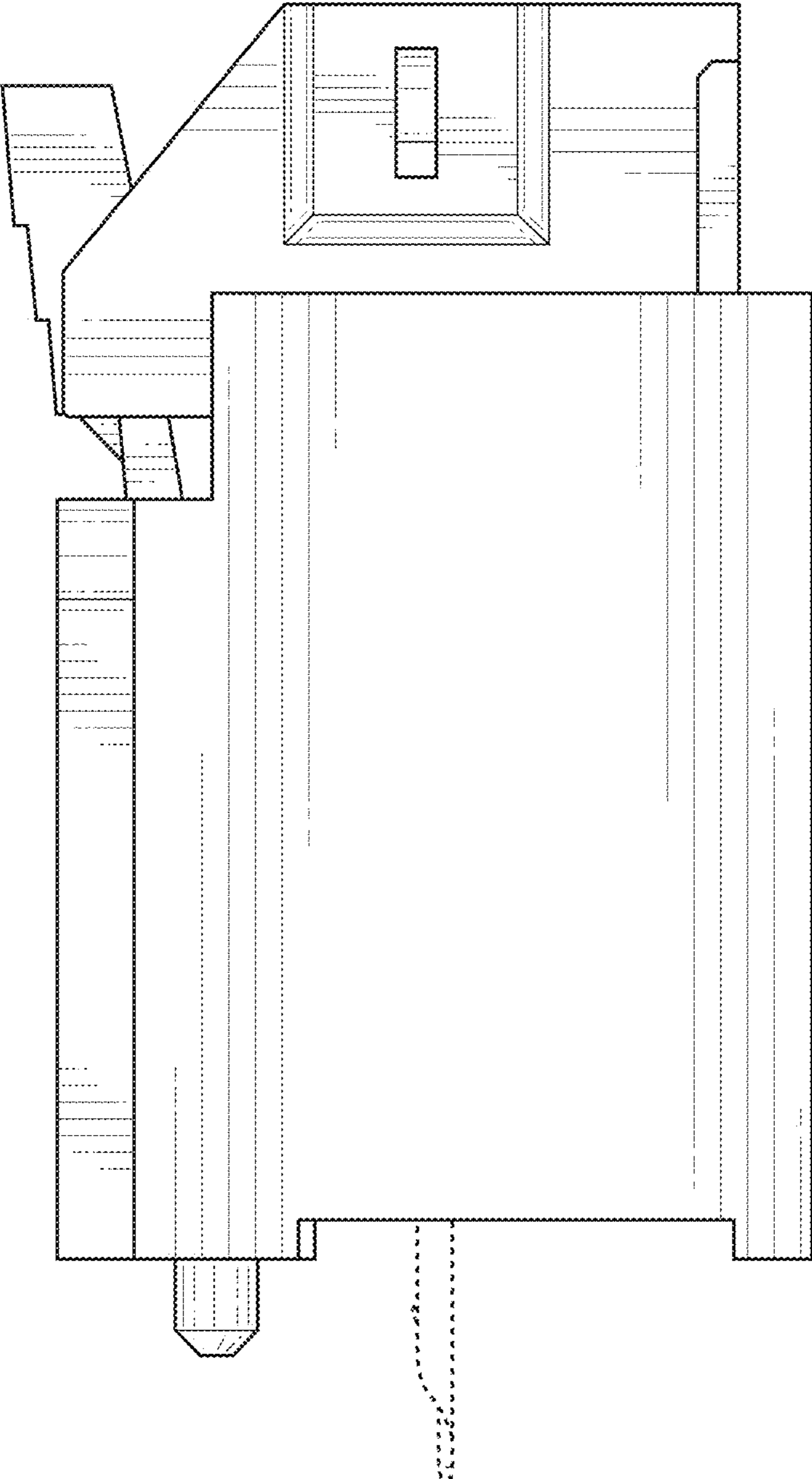


FIG. 38



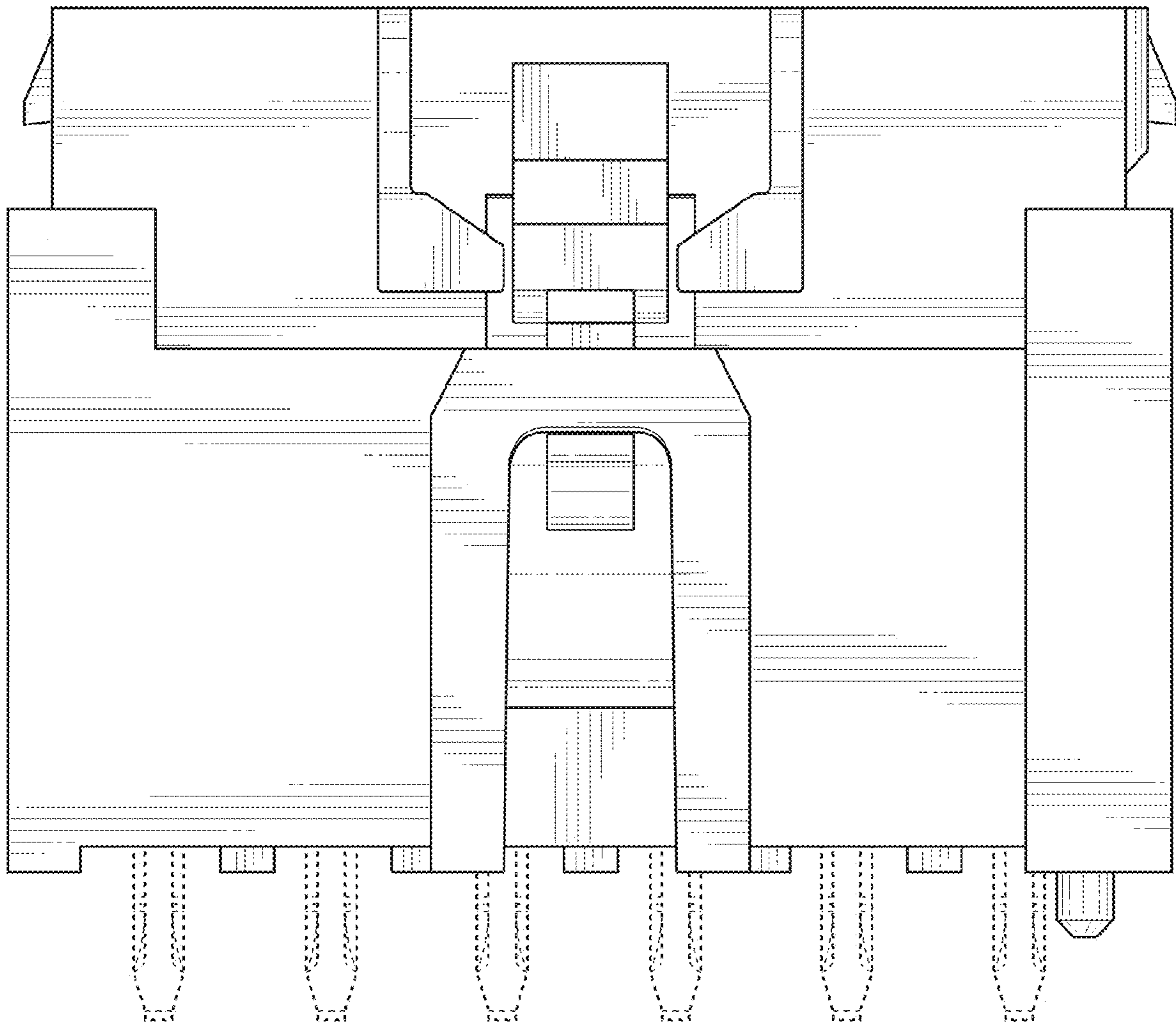


FIG. 39

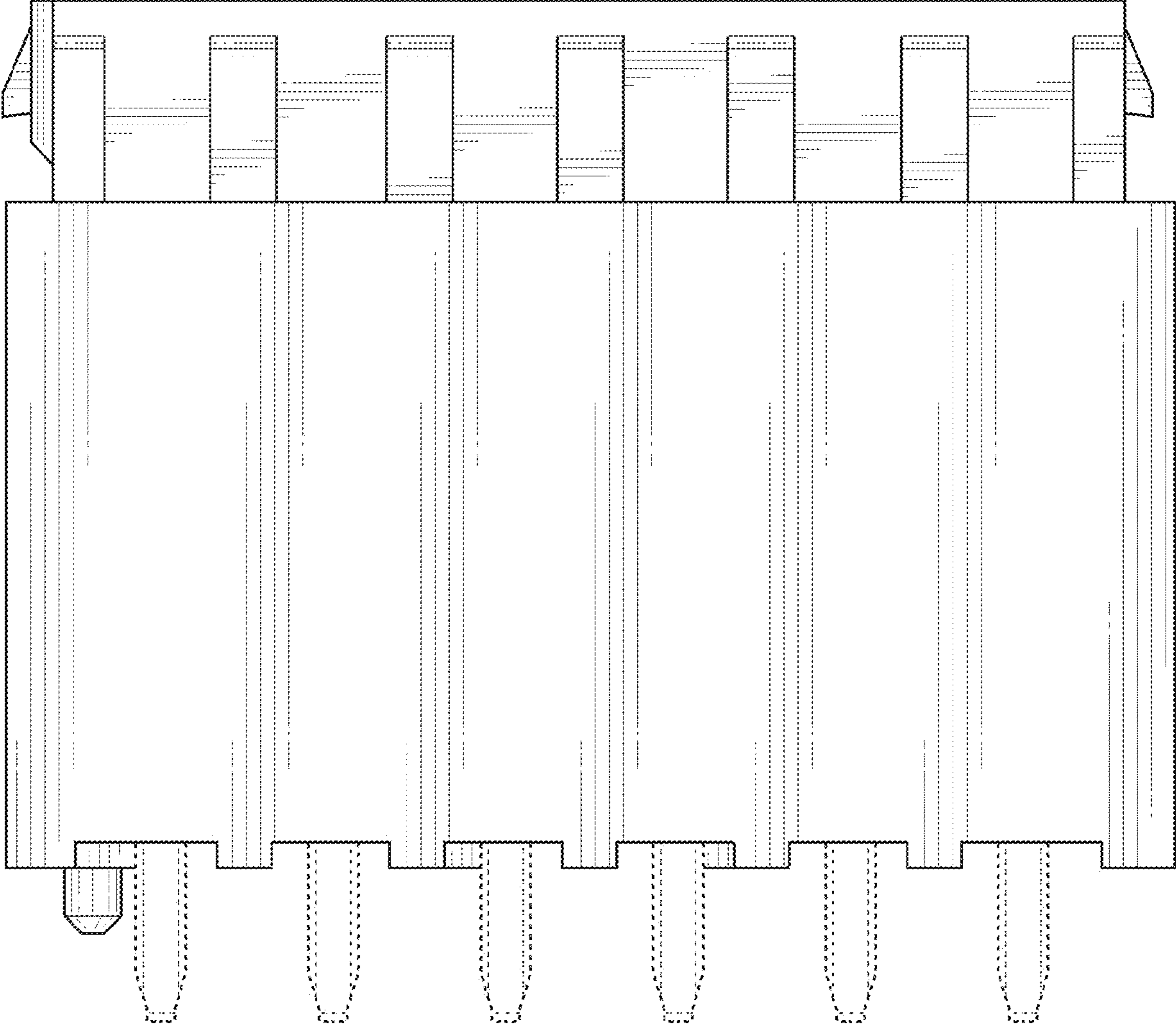


FIG. 40

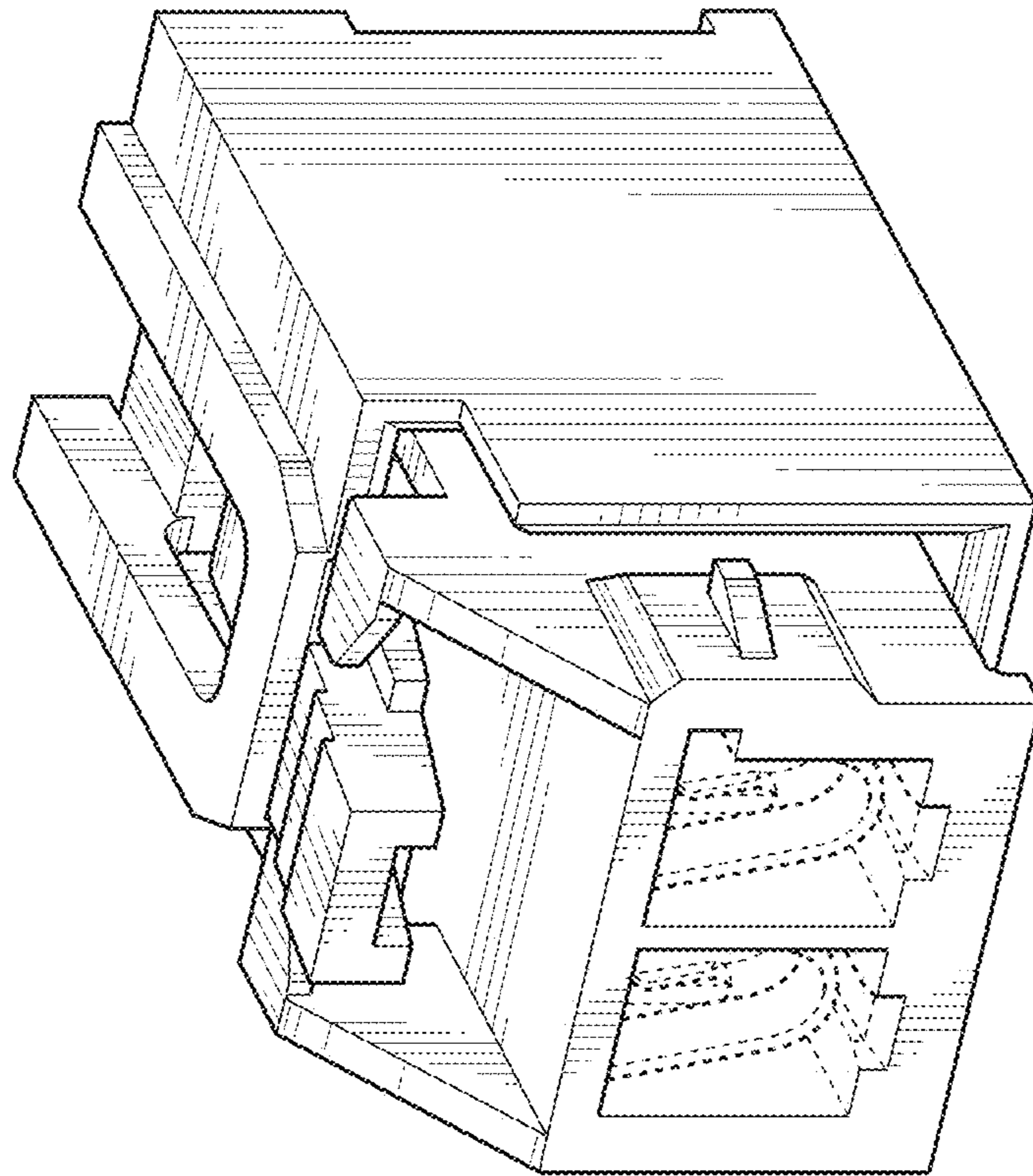


FIG. 41

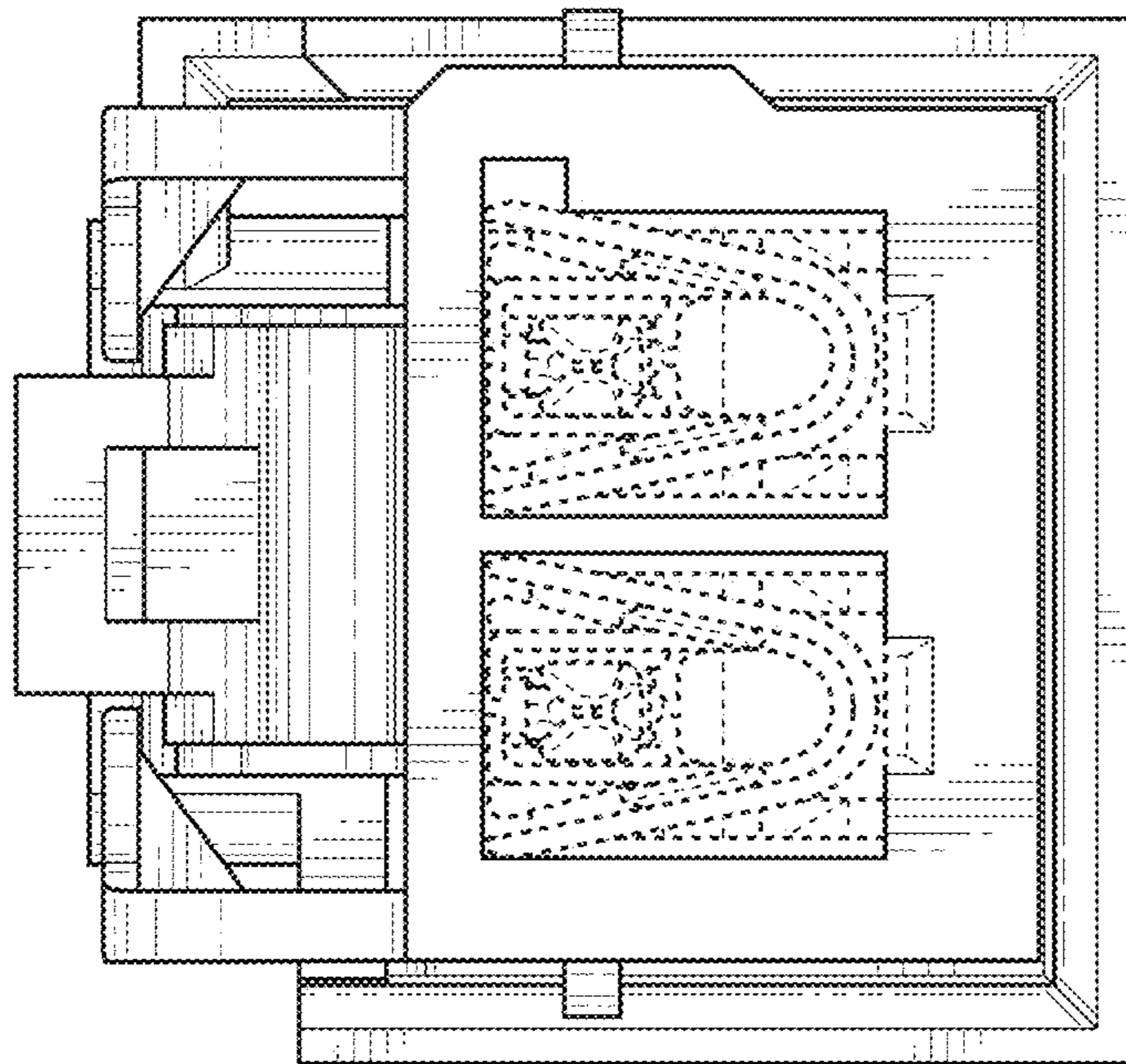


FIG. 42

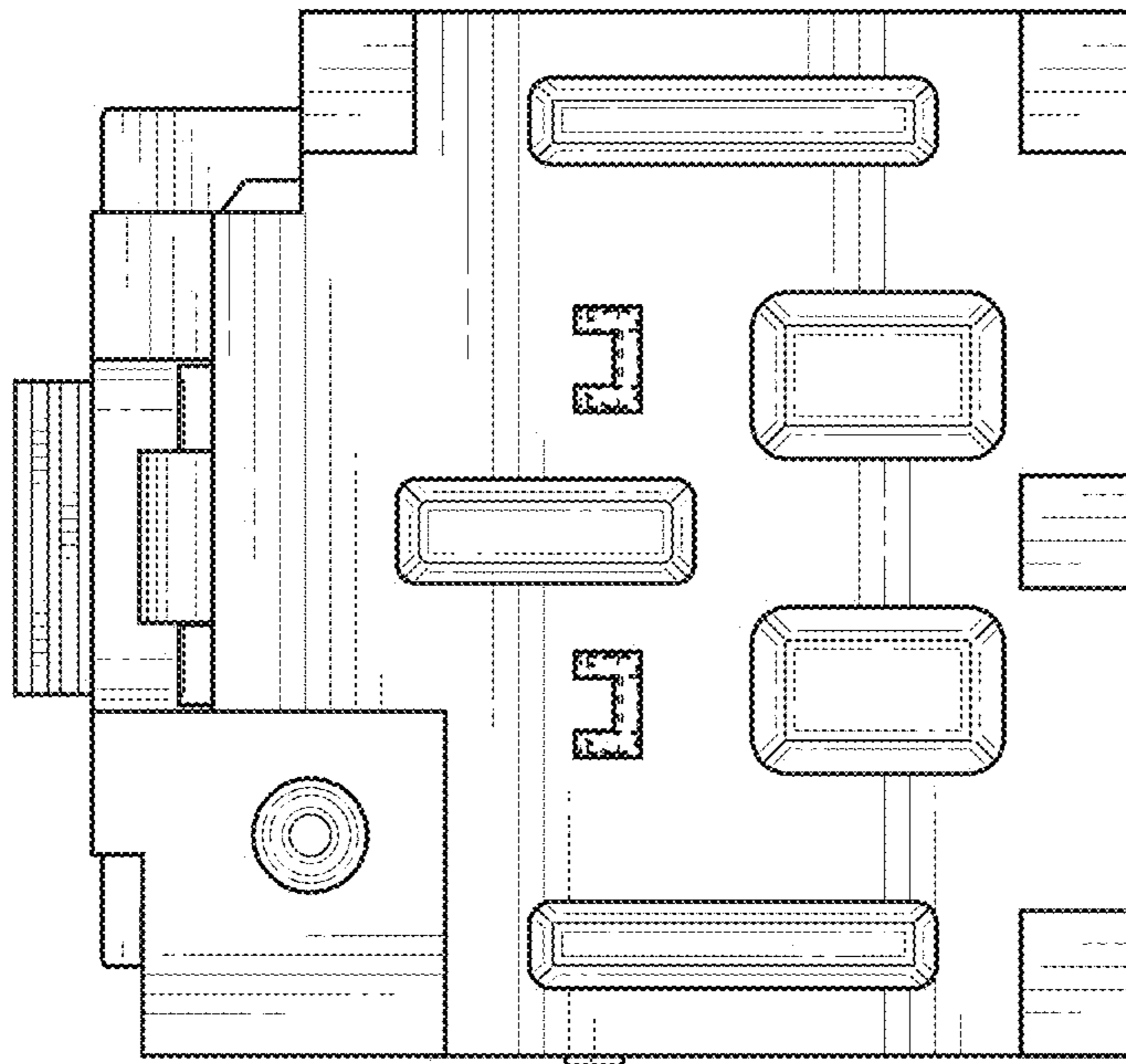


FIG. 43

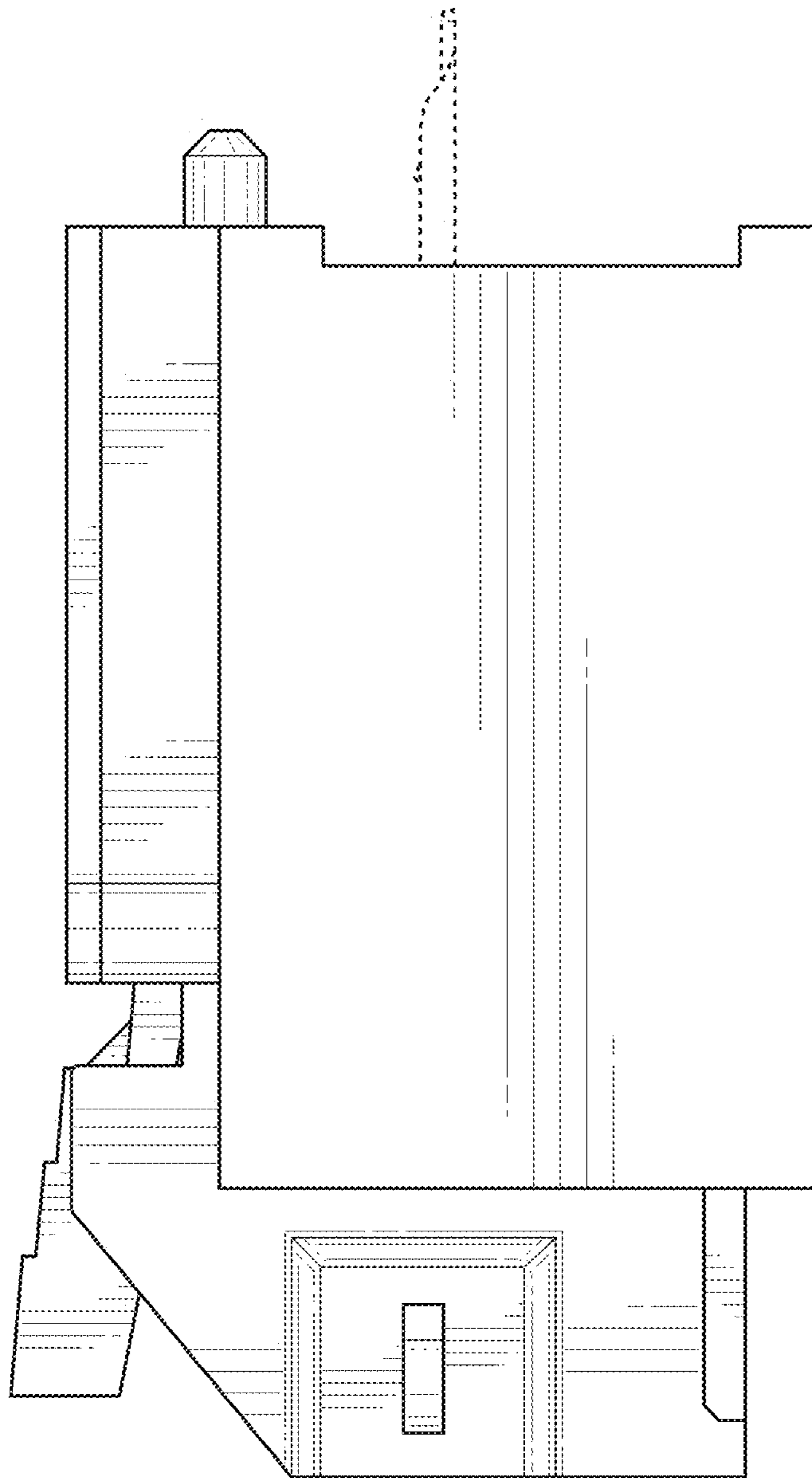


FIG. 44

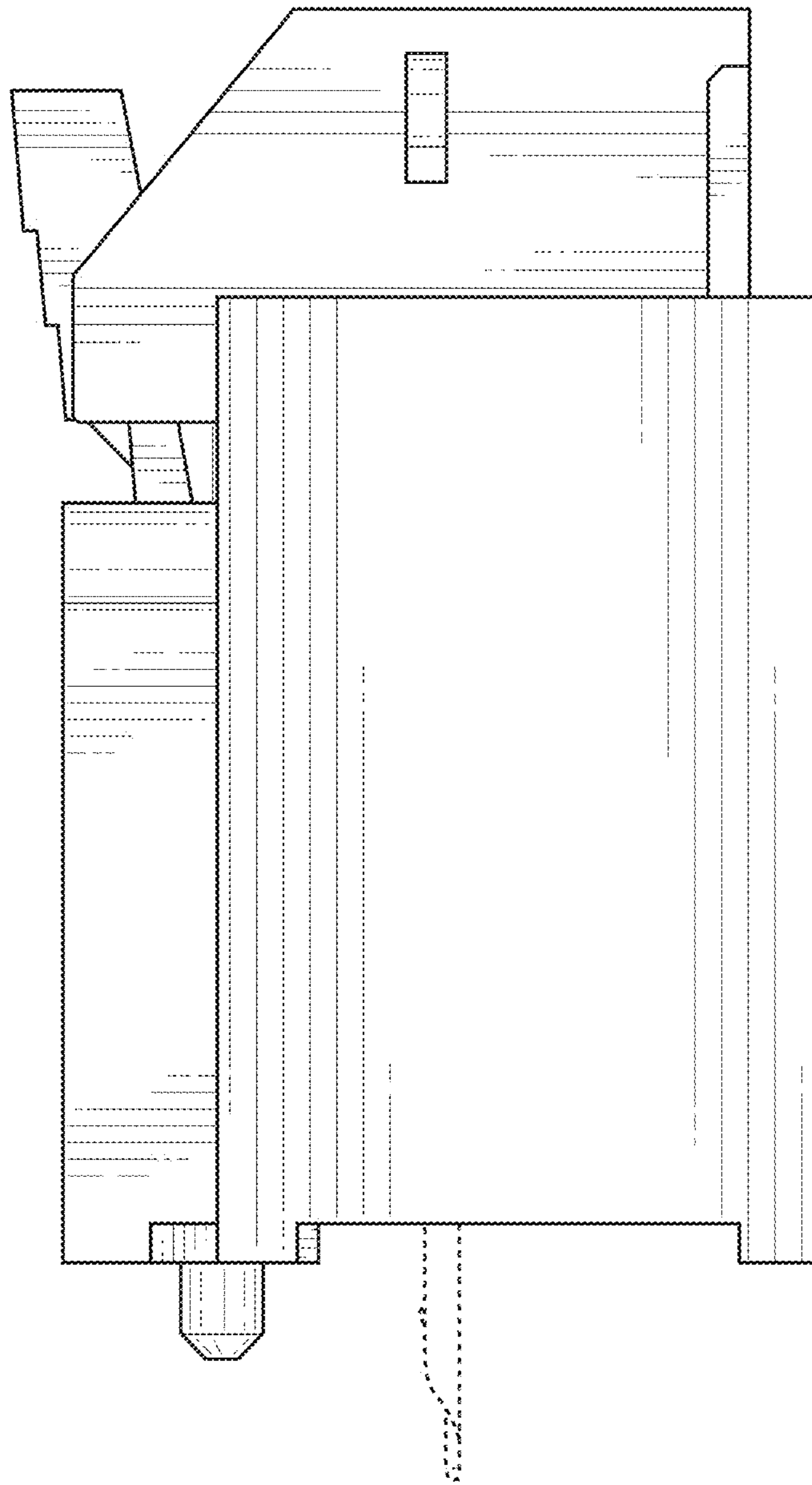


FIG. 45

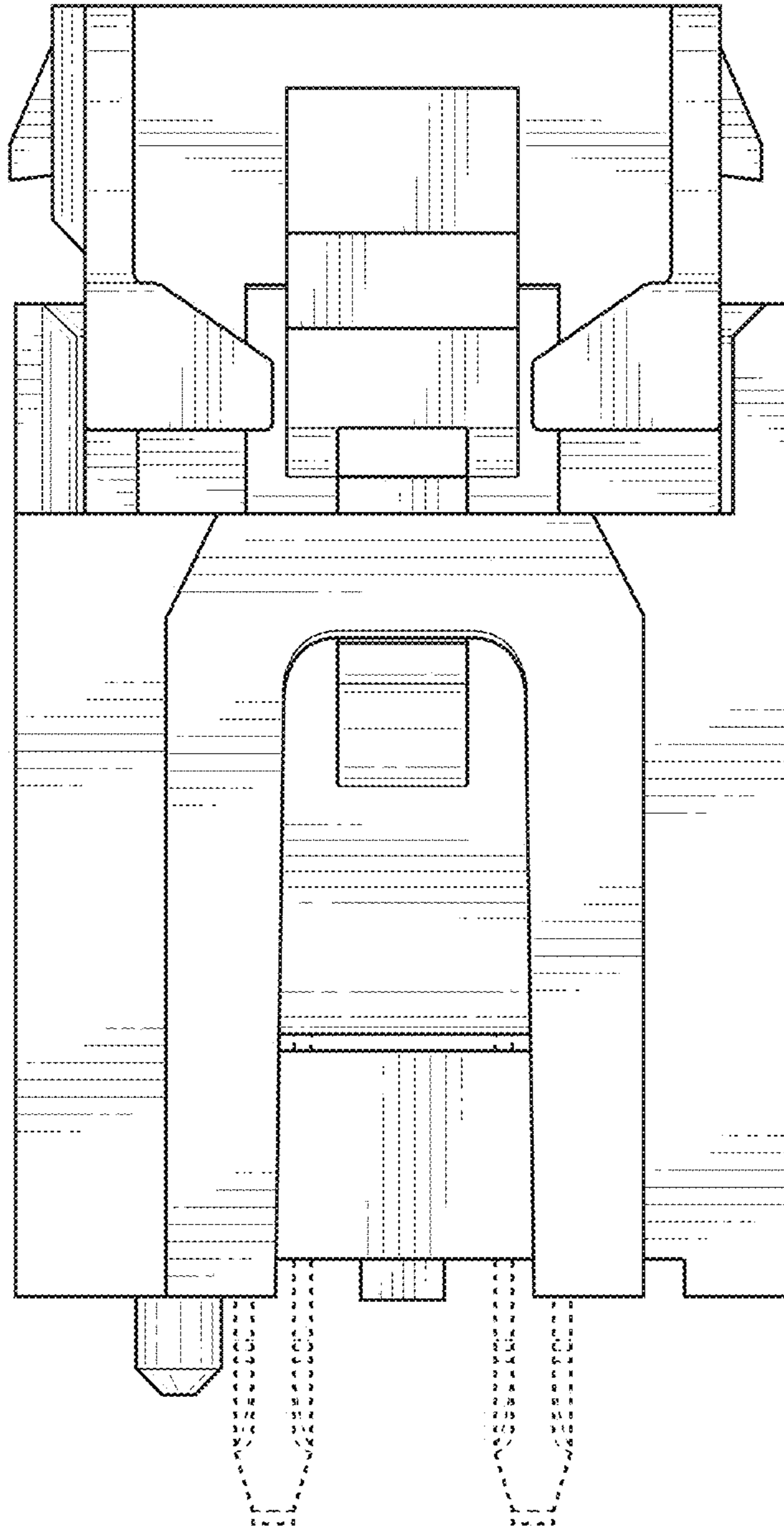


FIG. 46



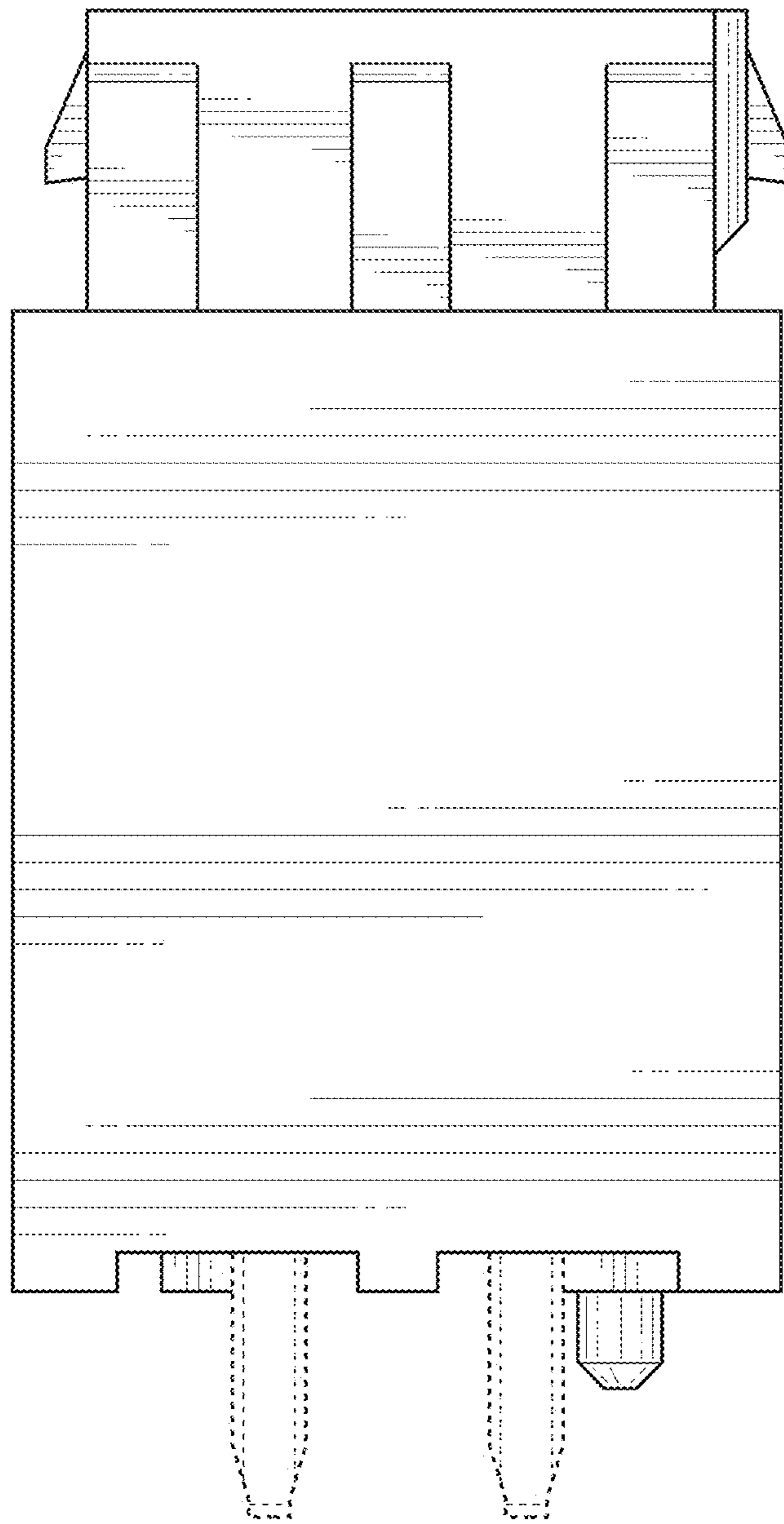


FIG. 47

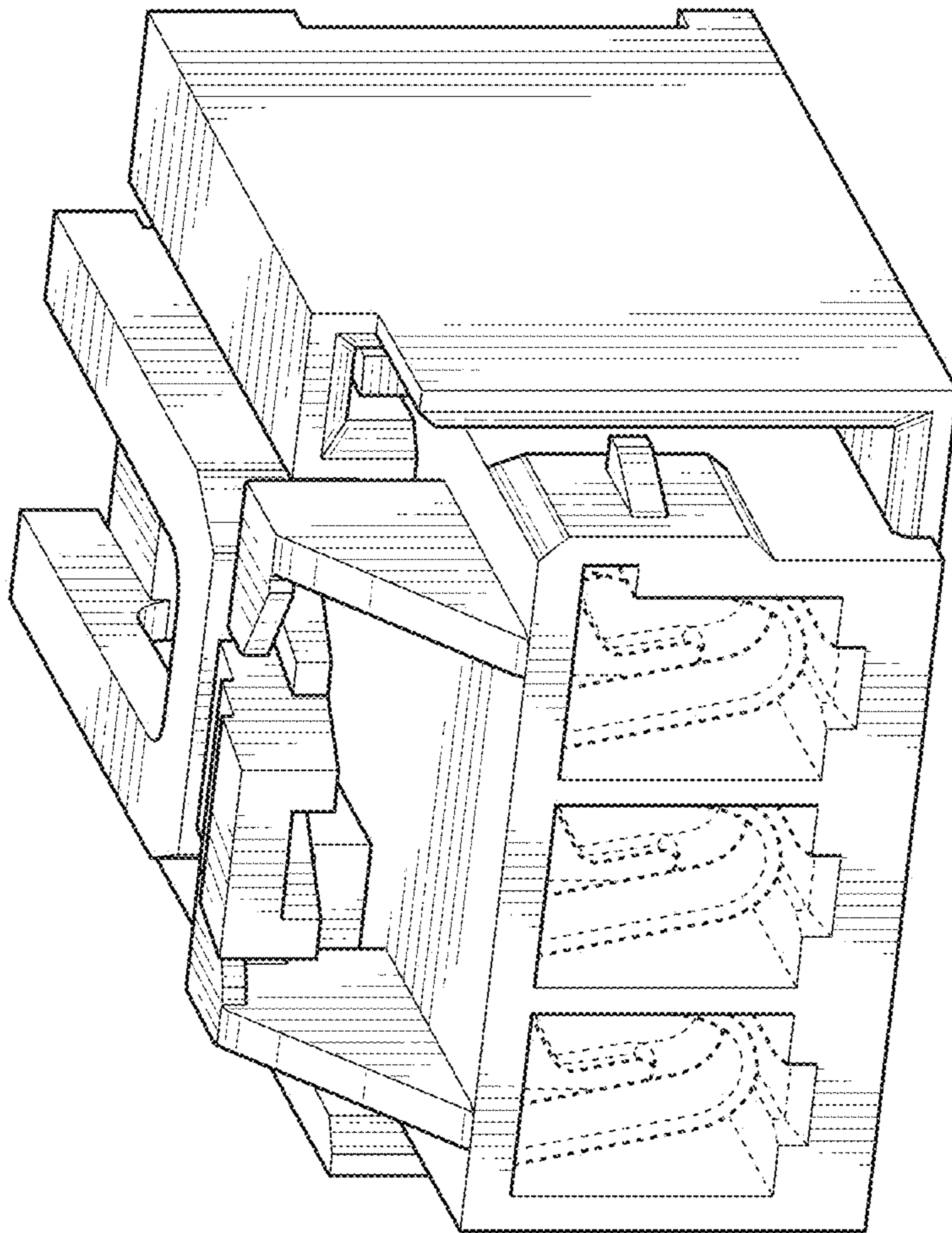


FIG. 48

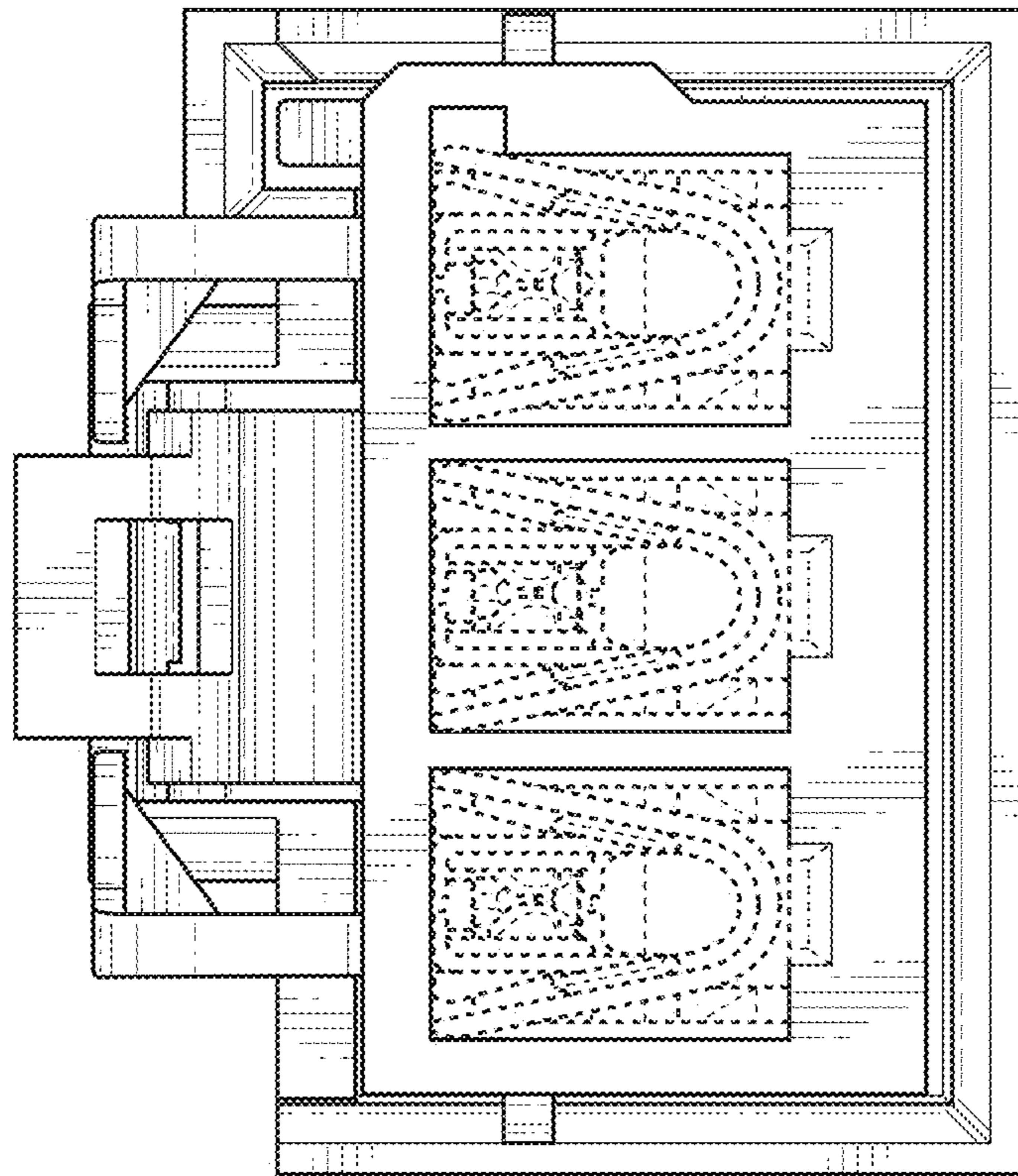


FIG. 49

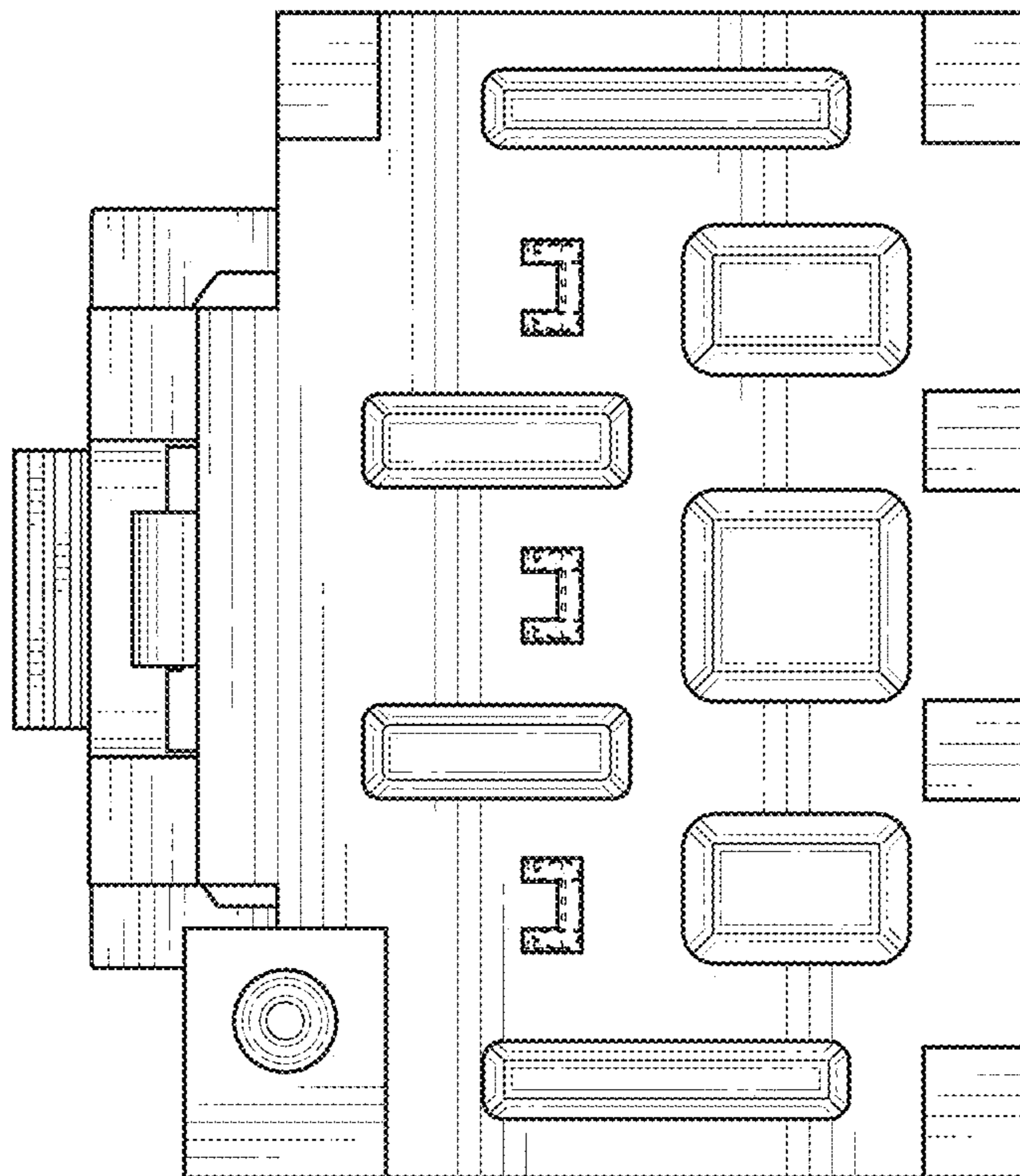


FIG. 50

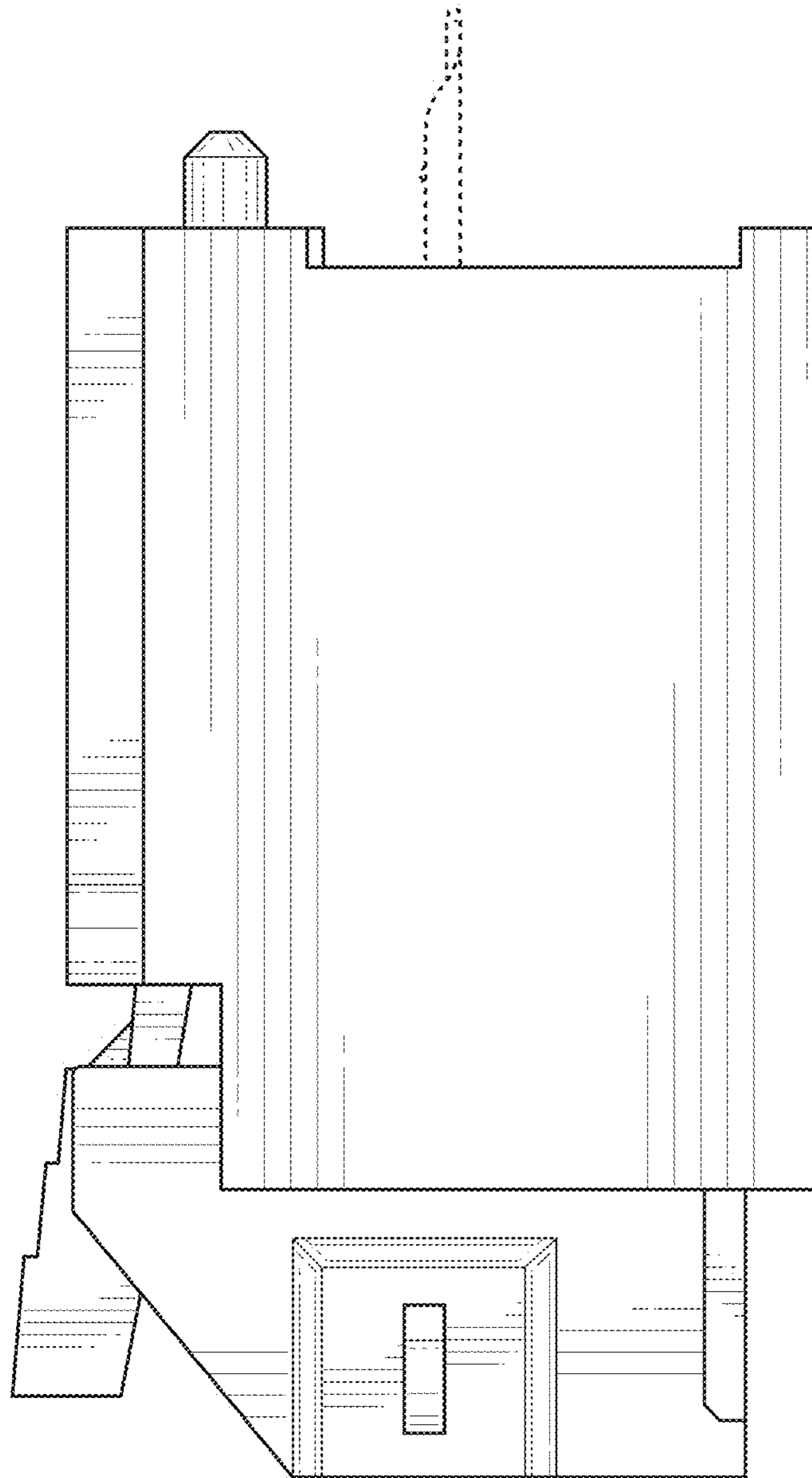


FIG. 51

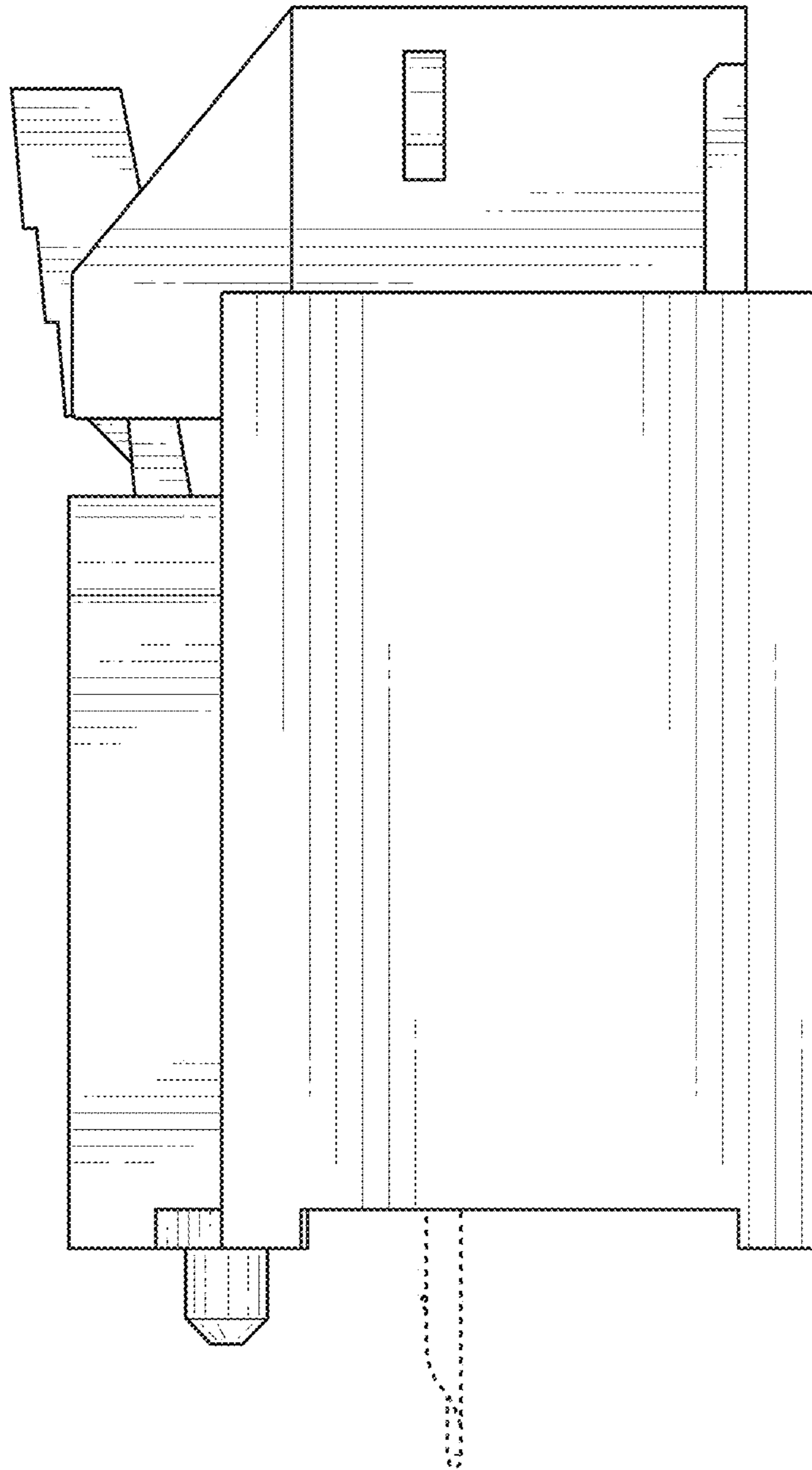


FIG. 52

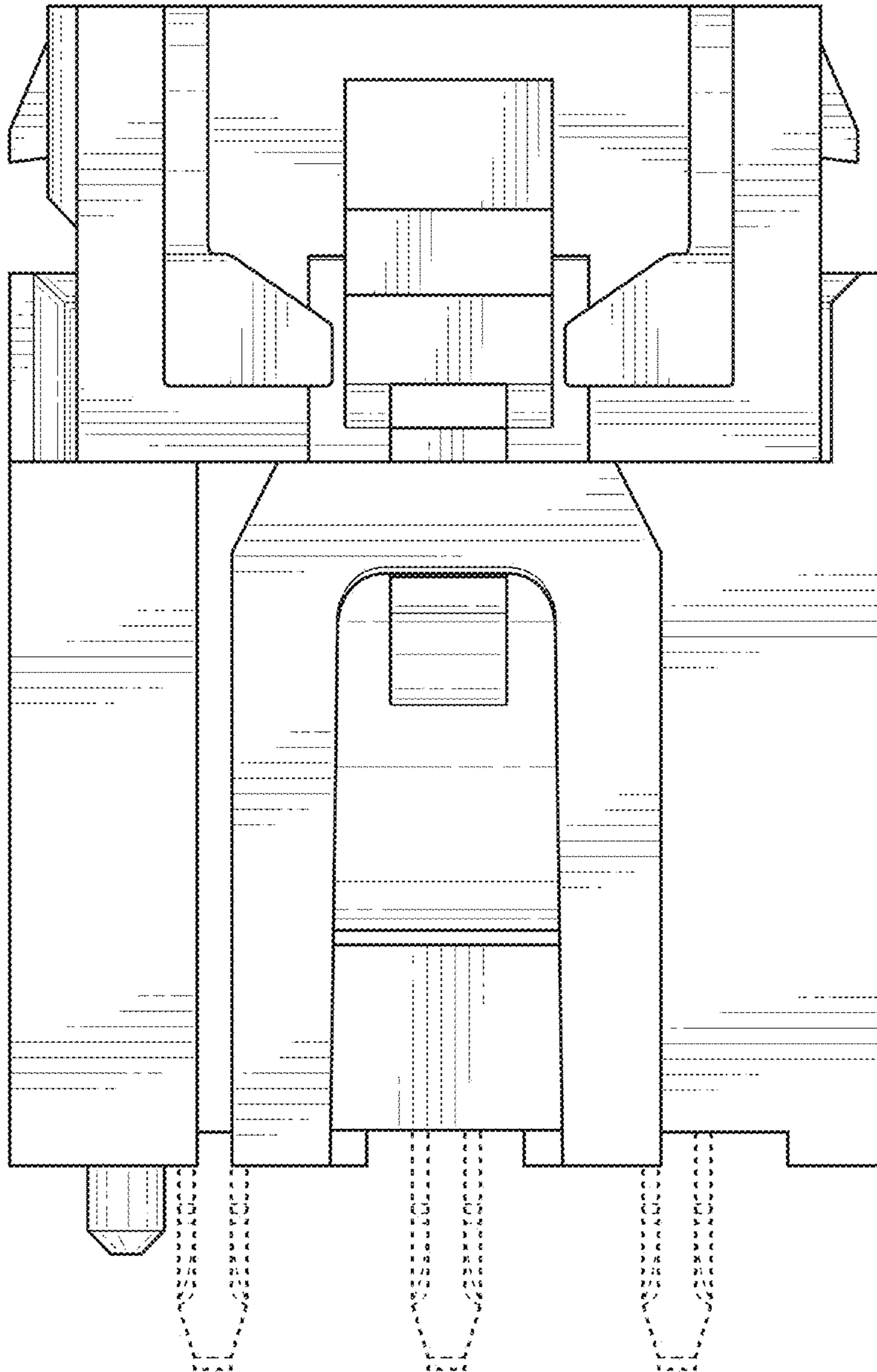


FIG. 53

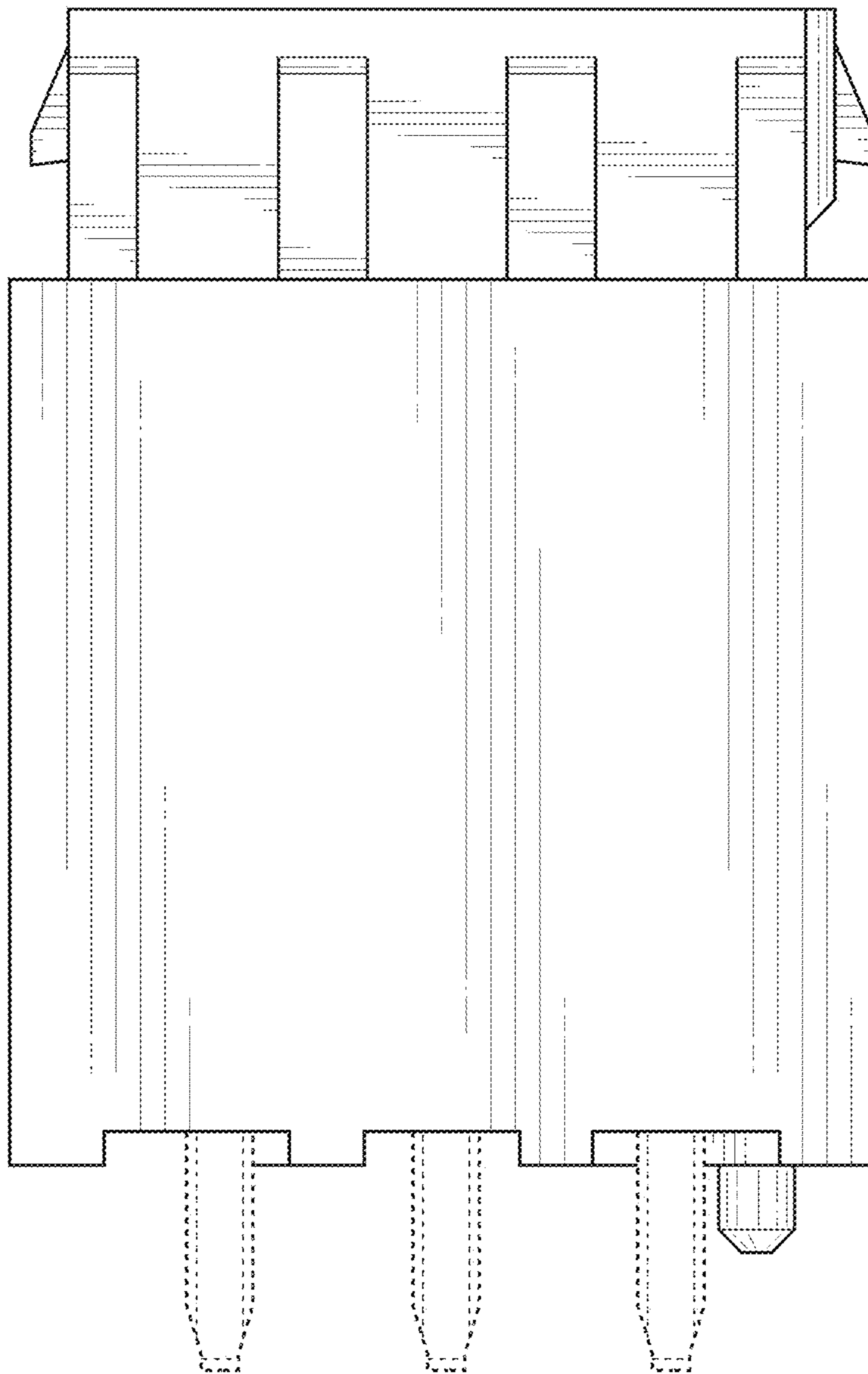


FIG. 54



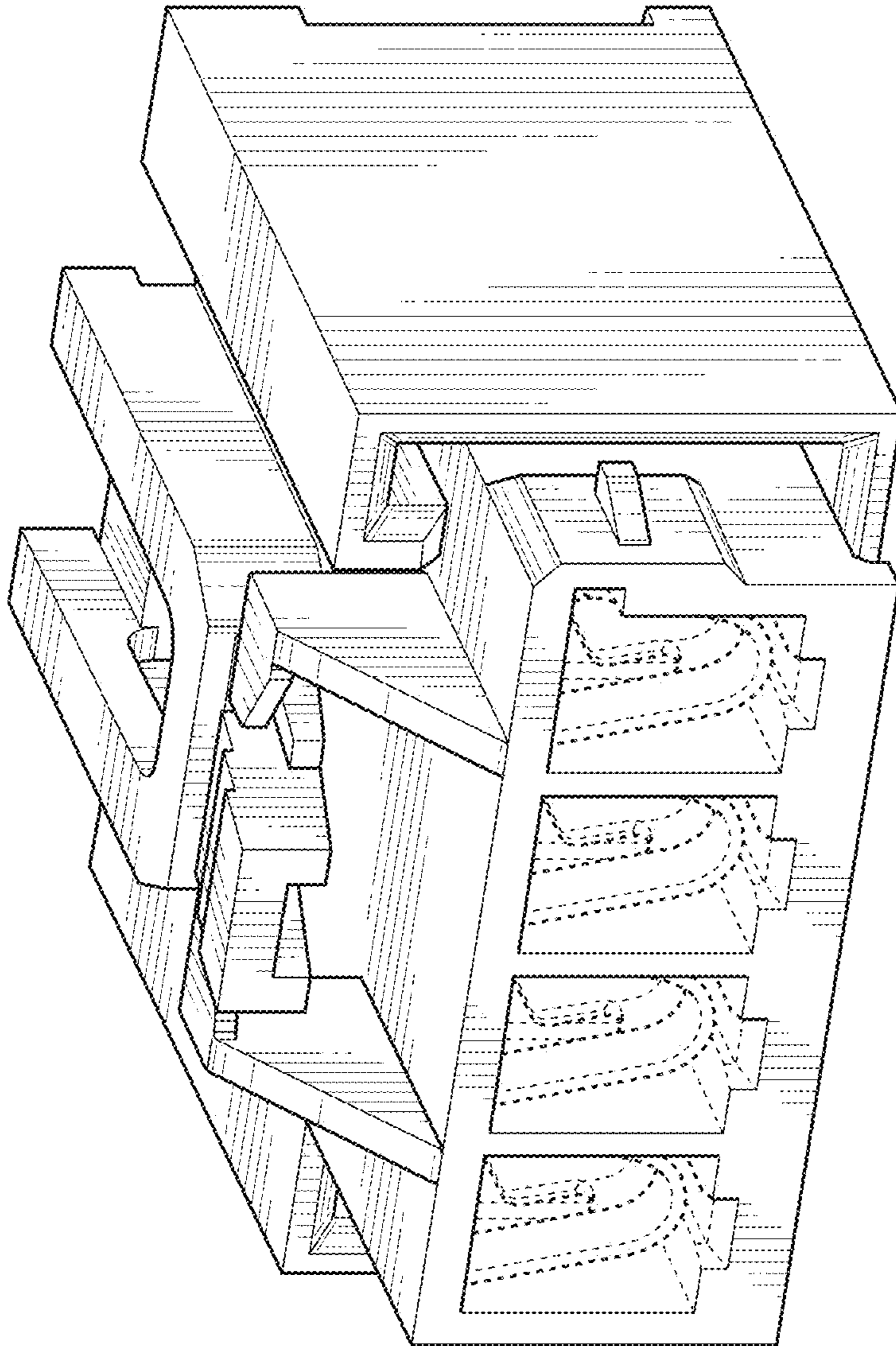


FIG. 55

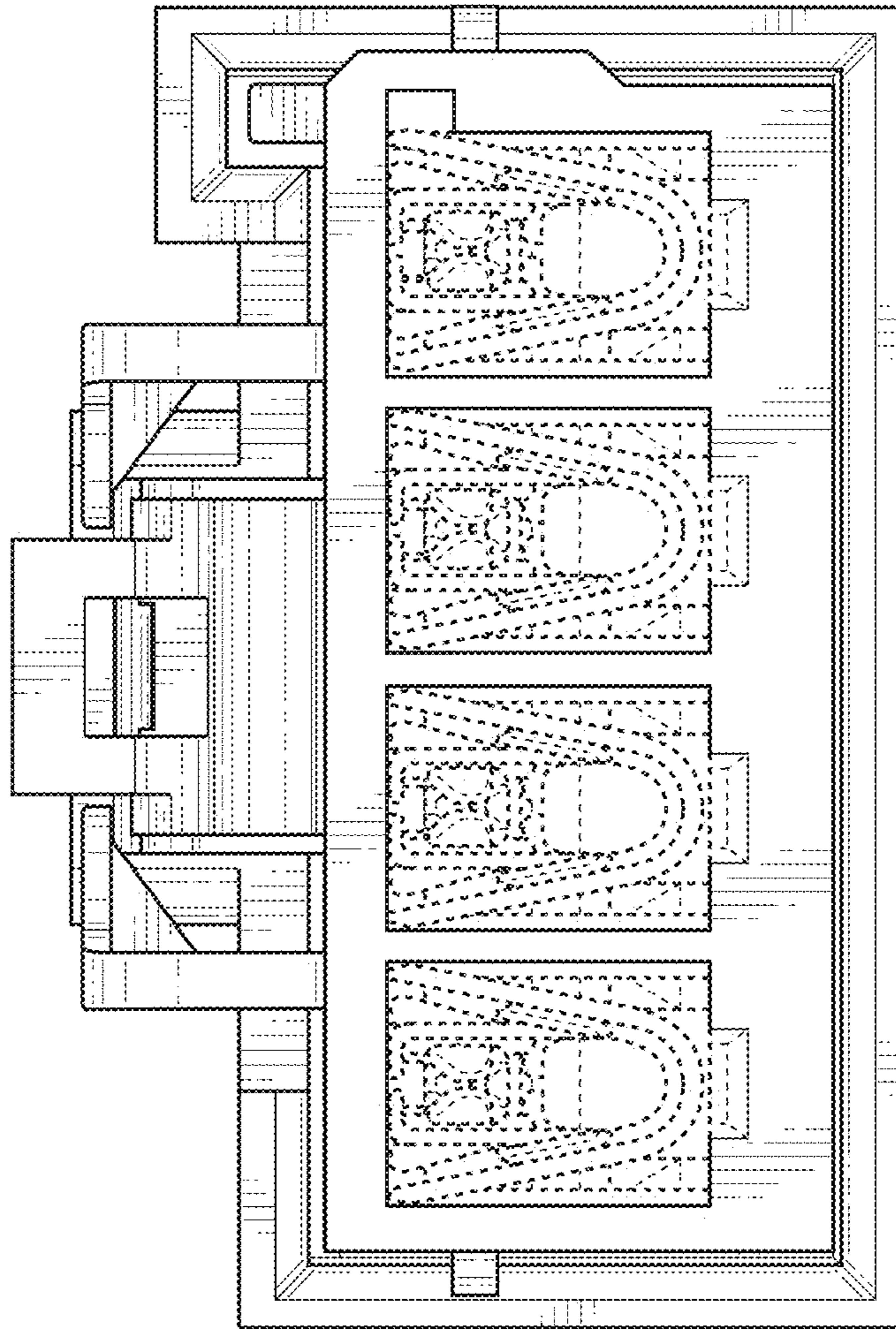


FIG. 56

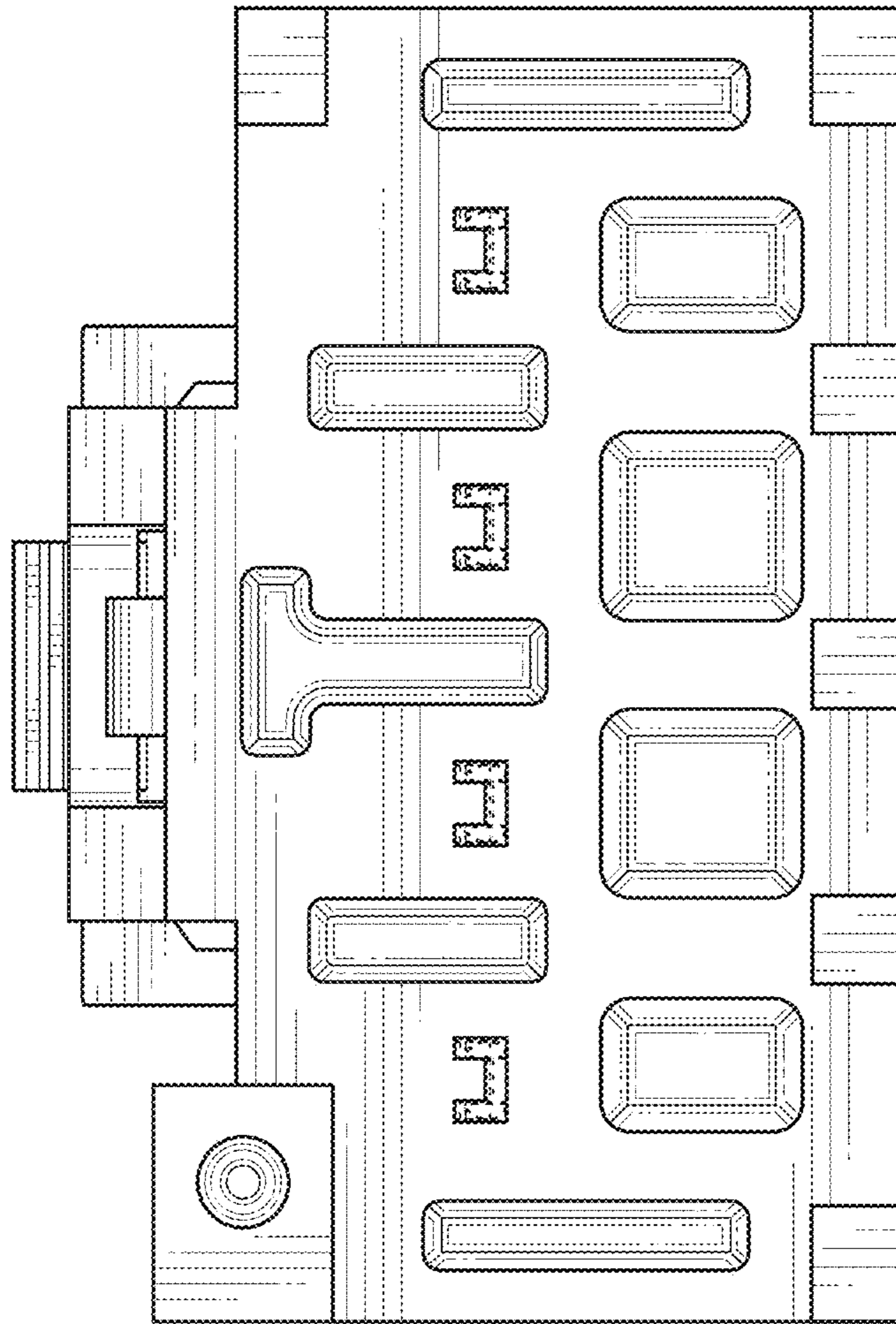


FIG. 57

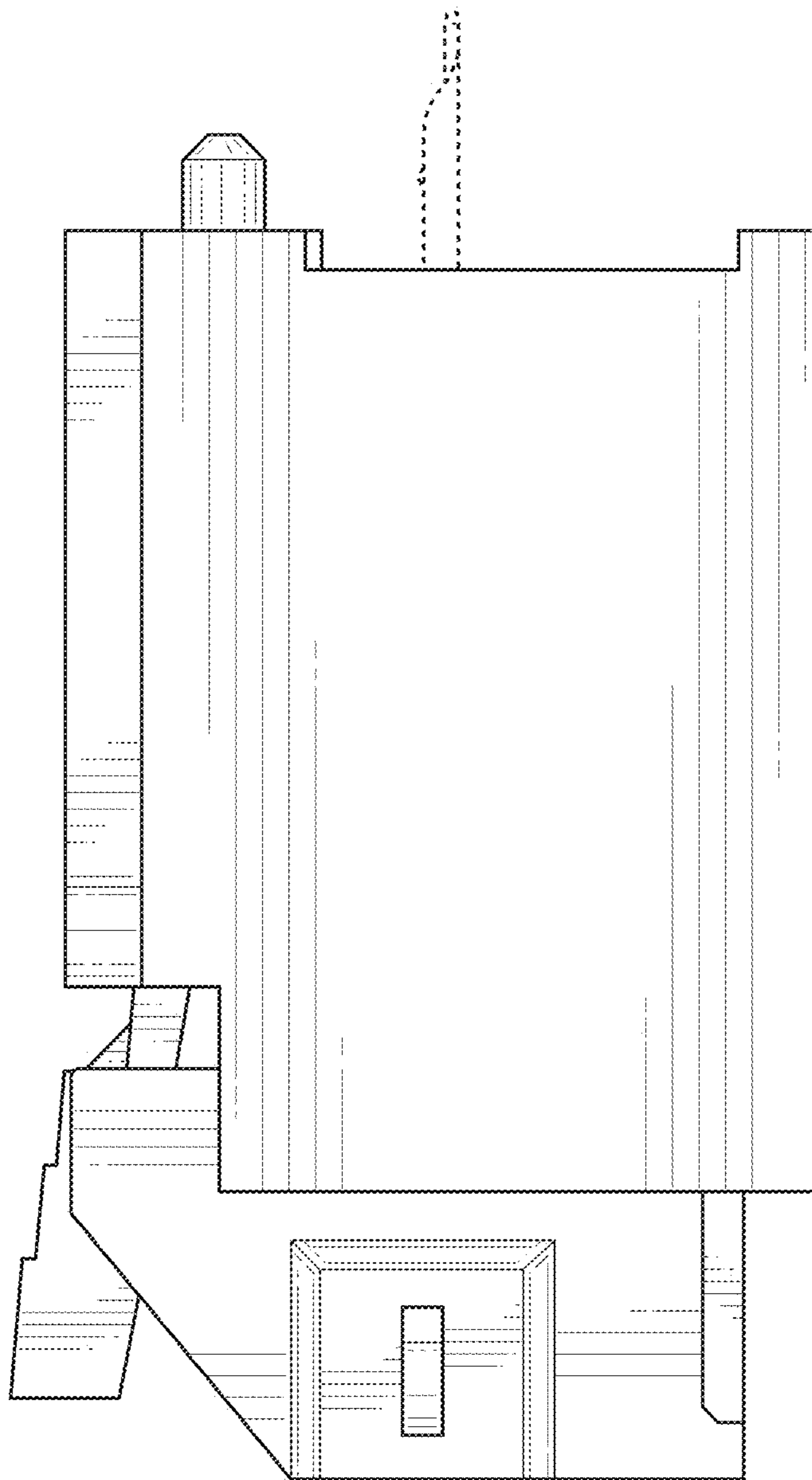


FIG. 58

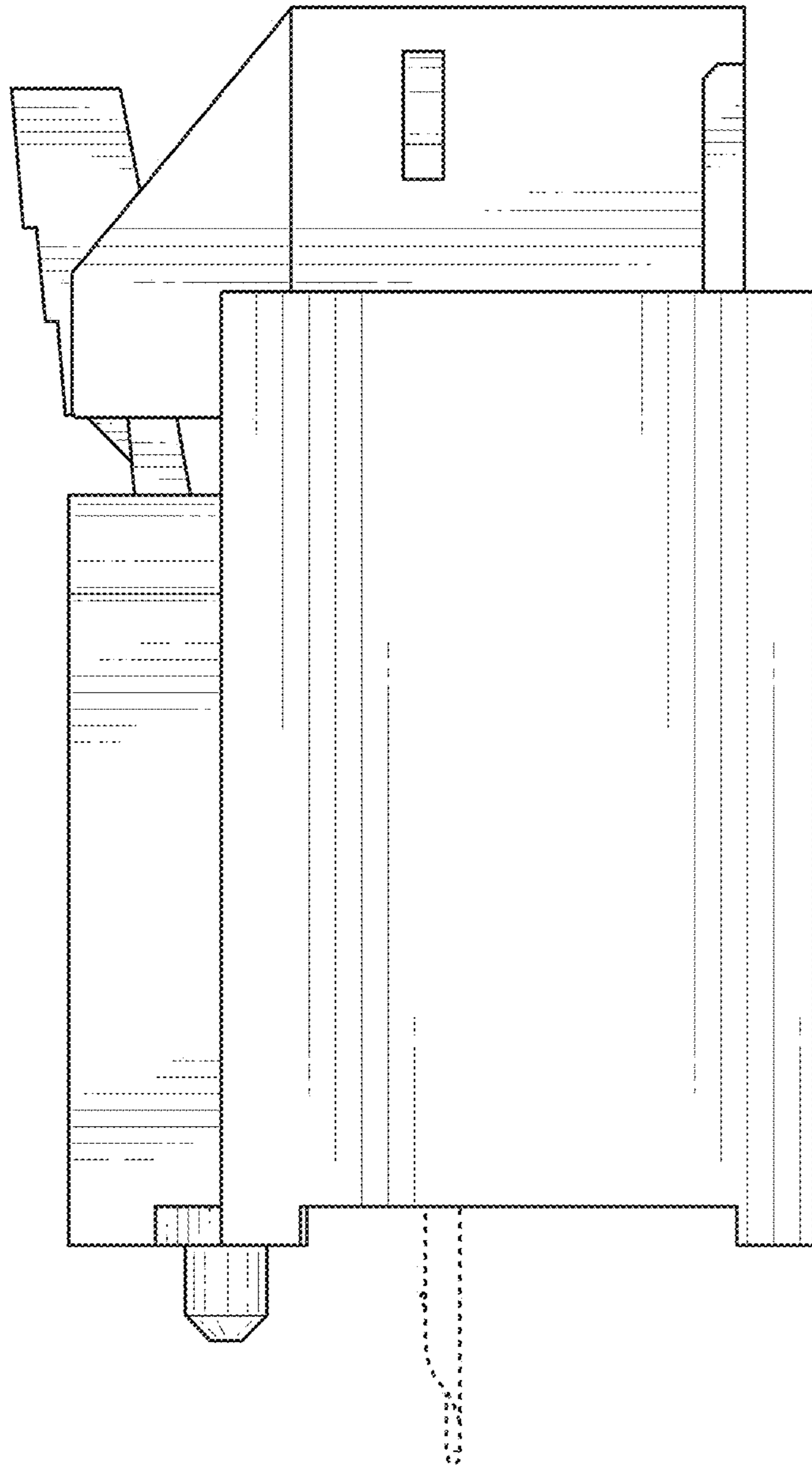


FIG. 59

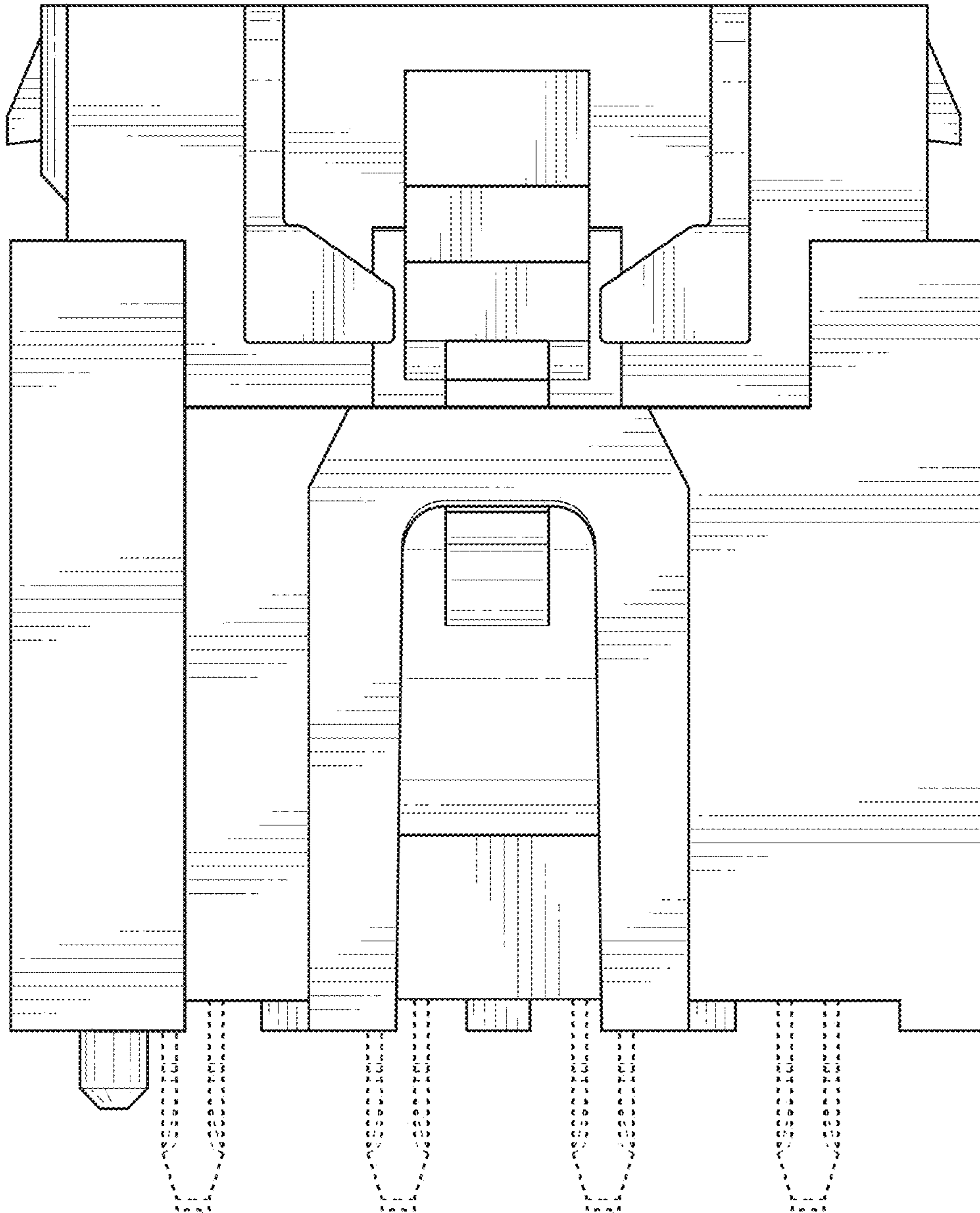


FIG. 60

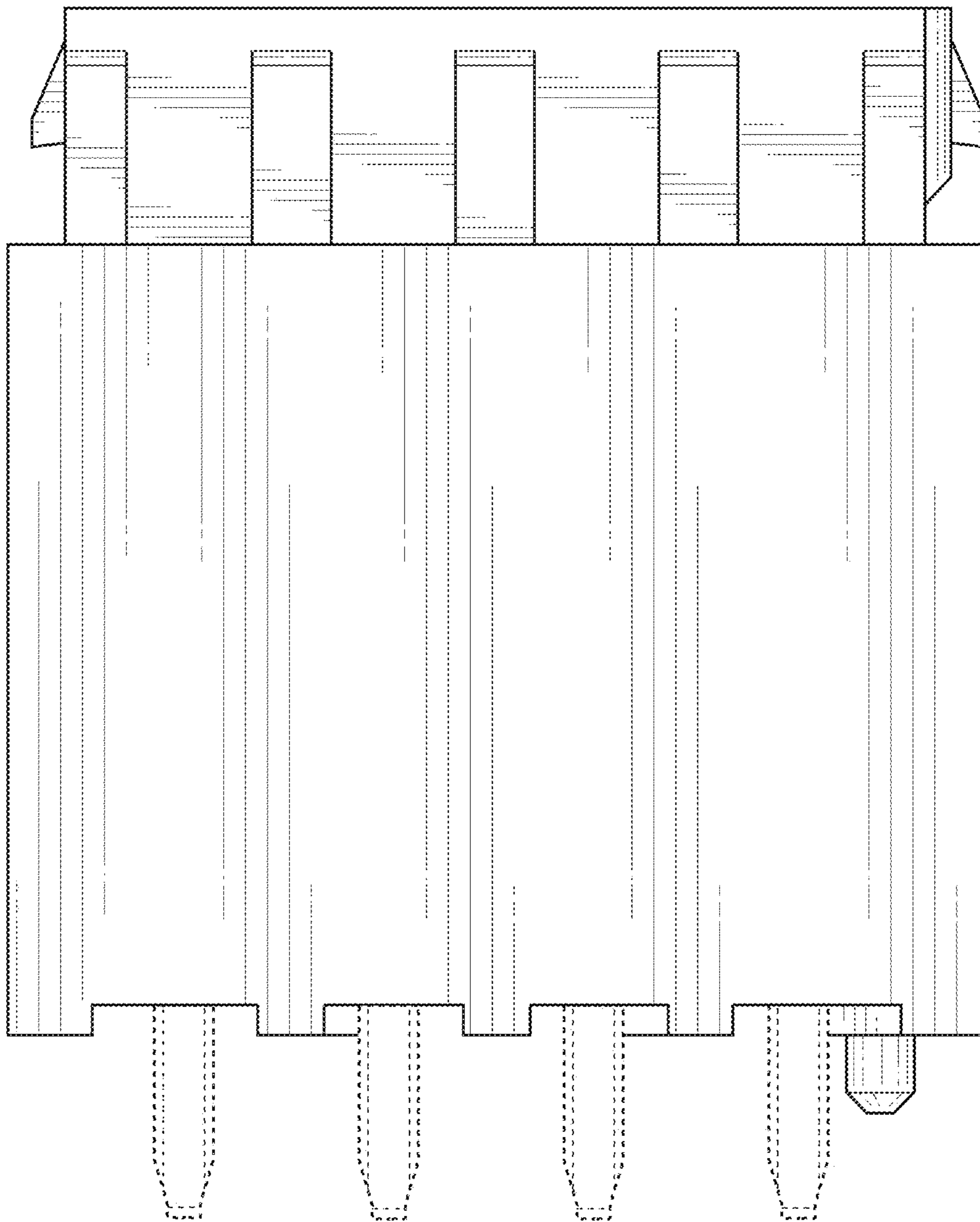


FIG. 61

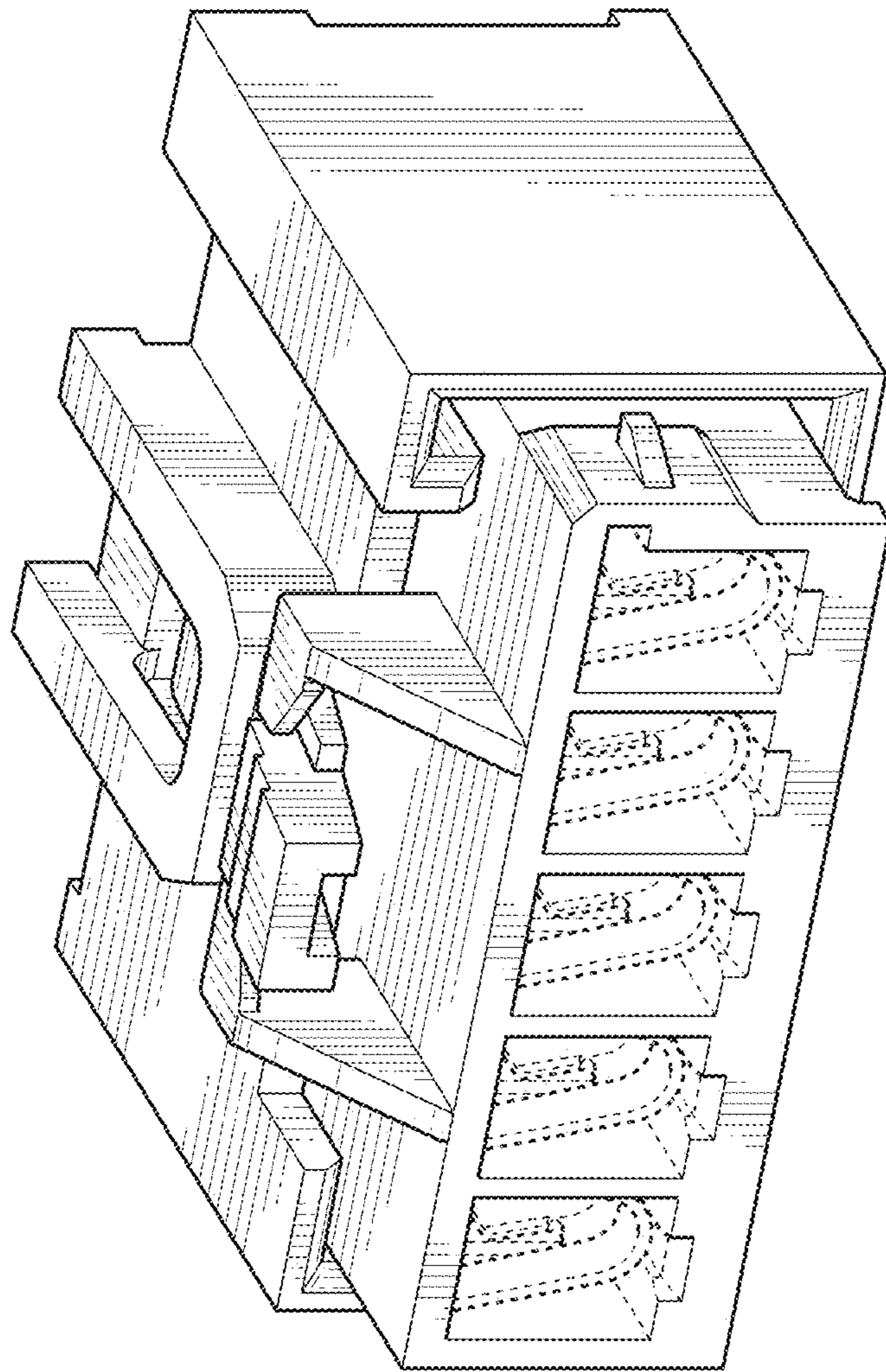


FIG. 62



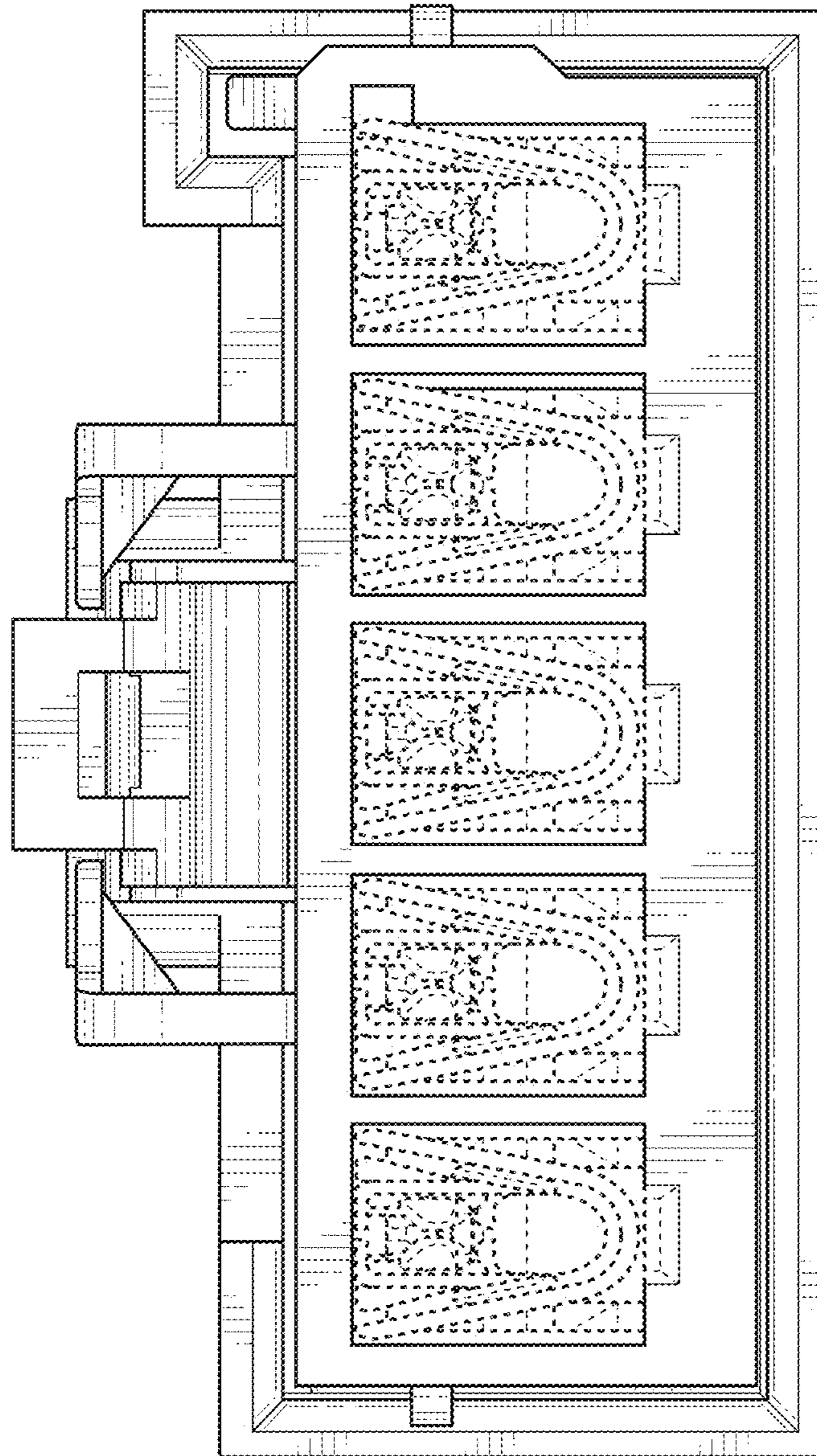


FIG. 63

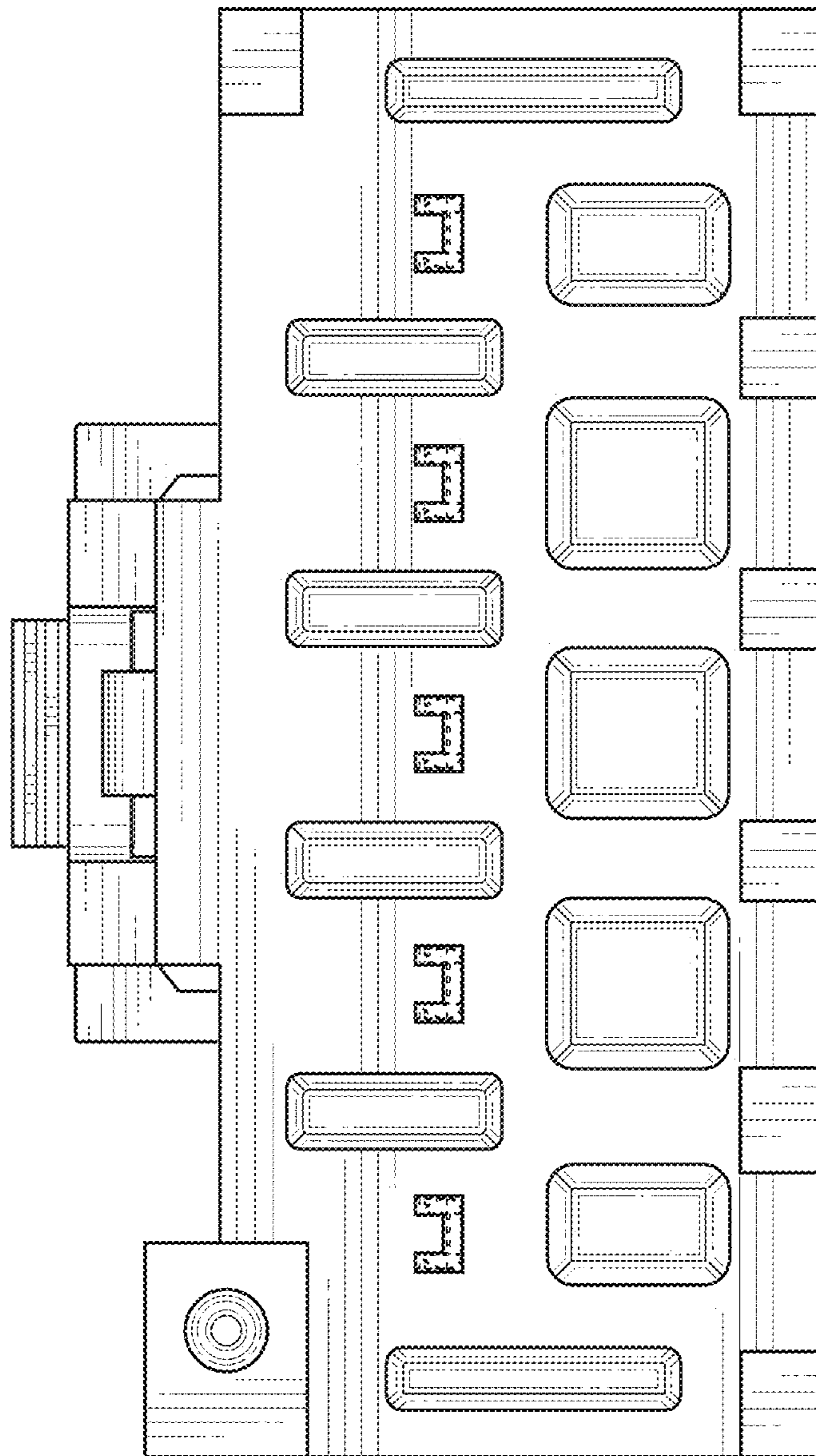


FIG. 64

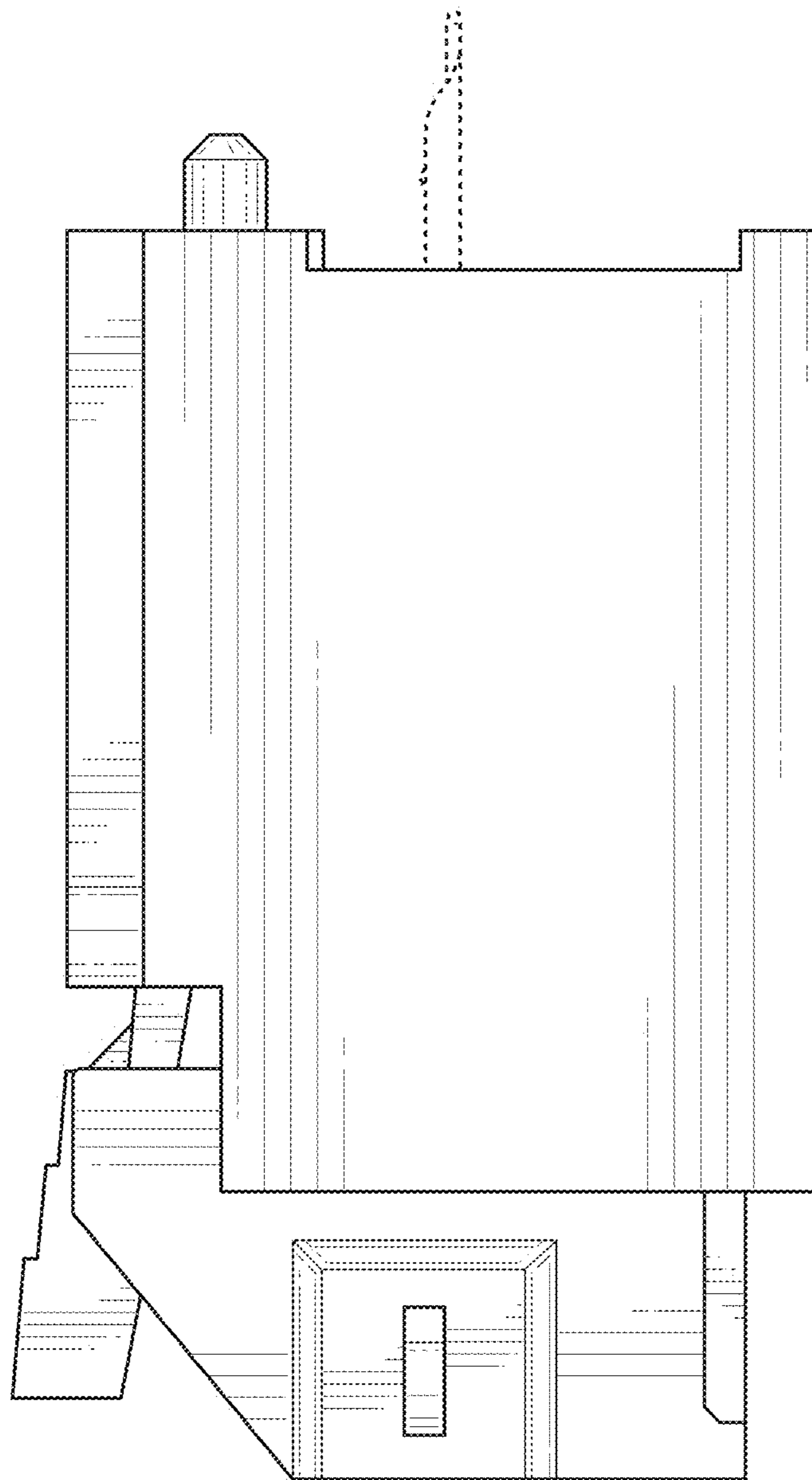


FIG. 65

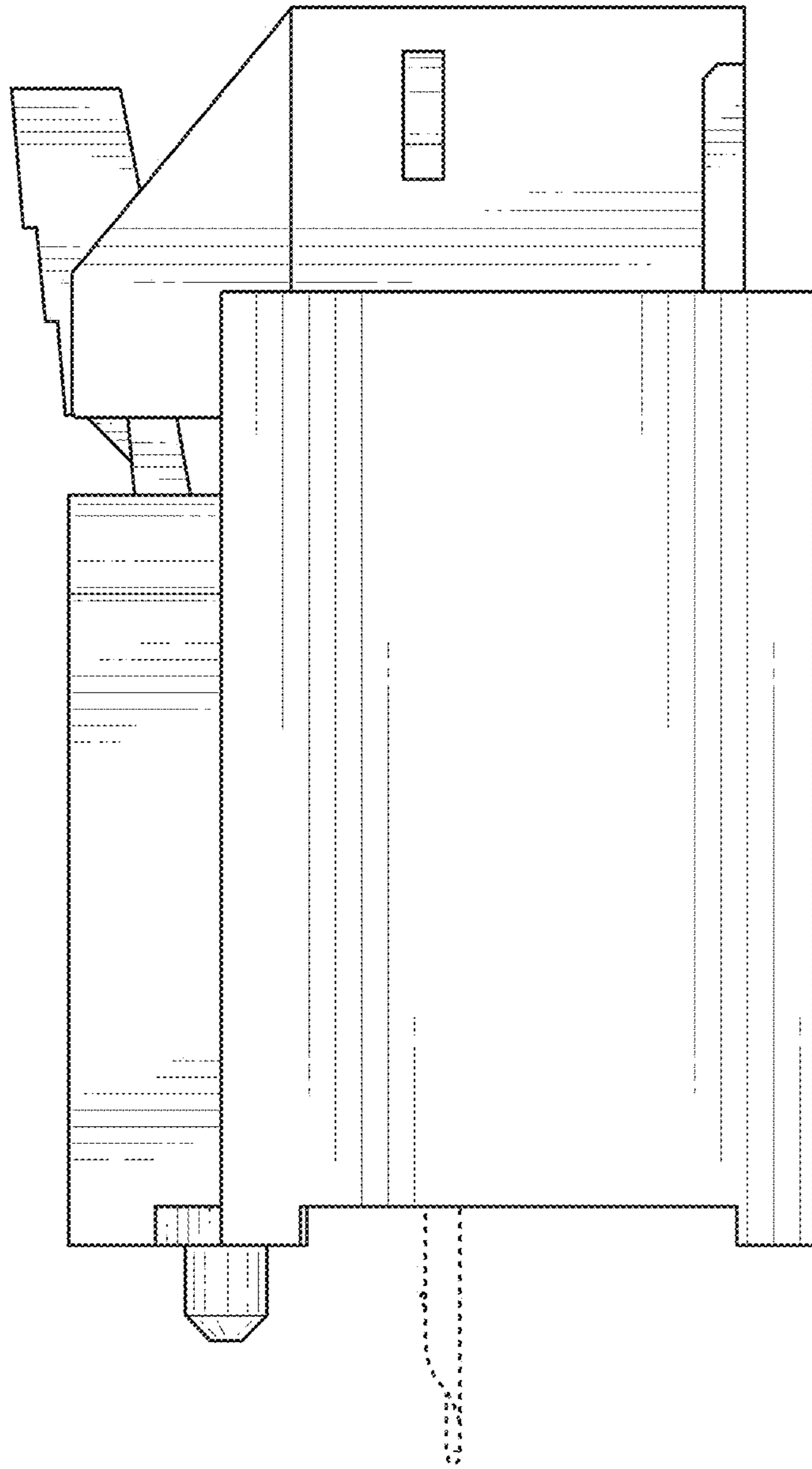


FIG. 66

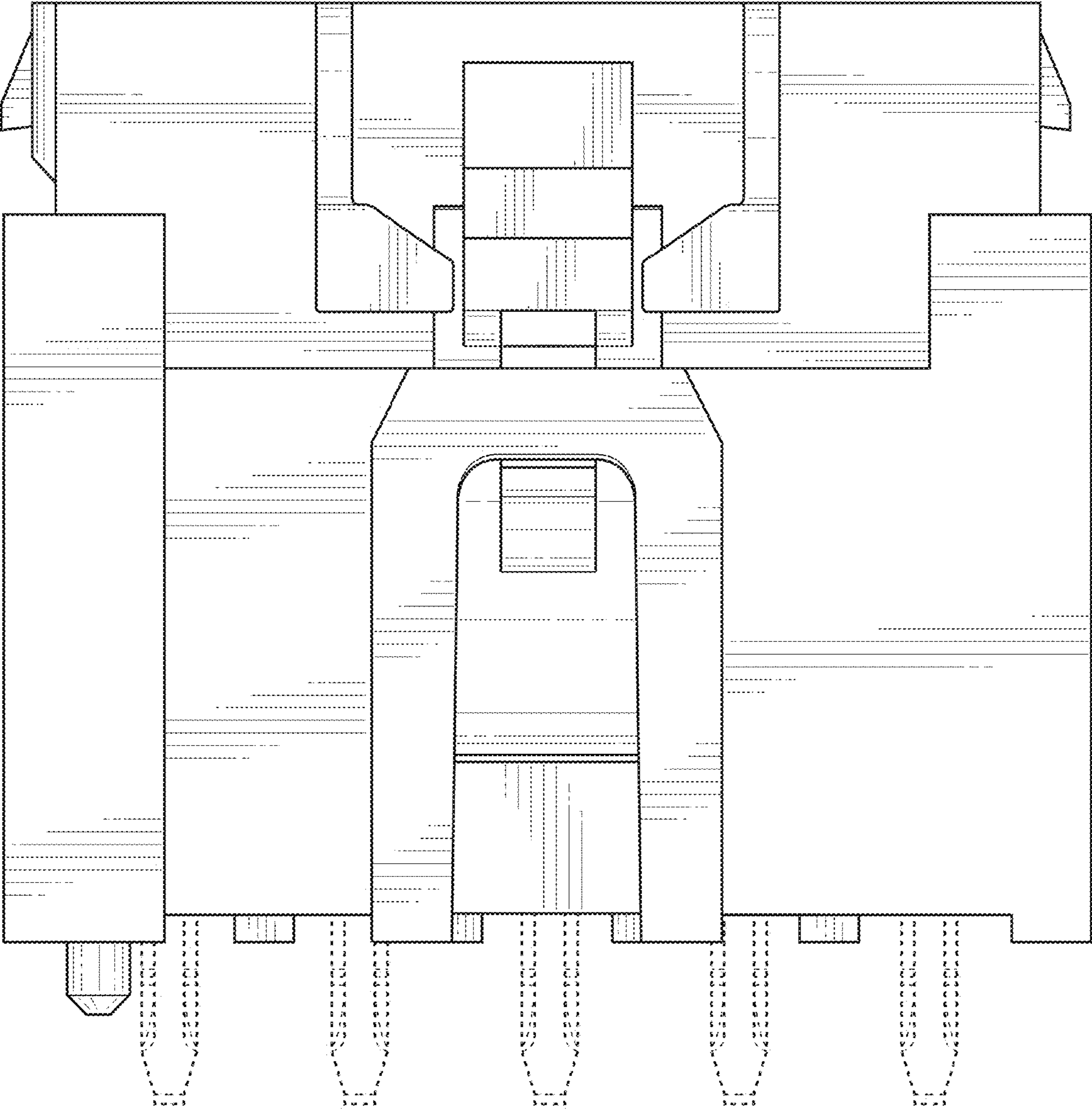


FIG. 67

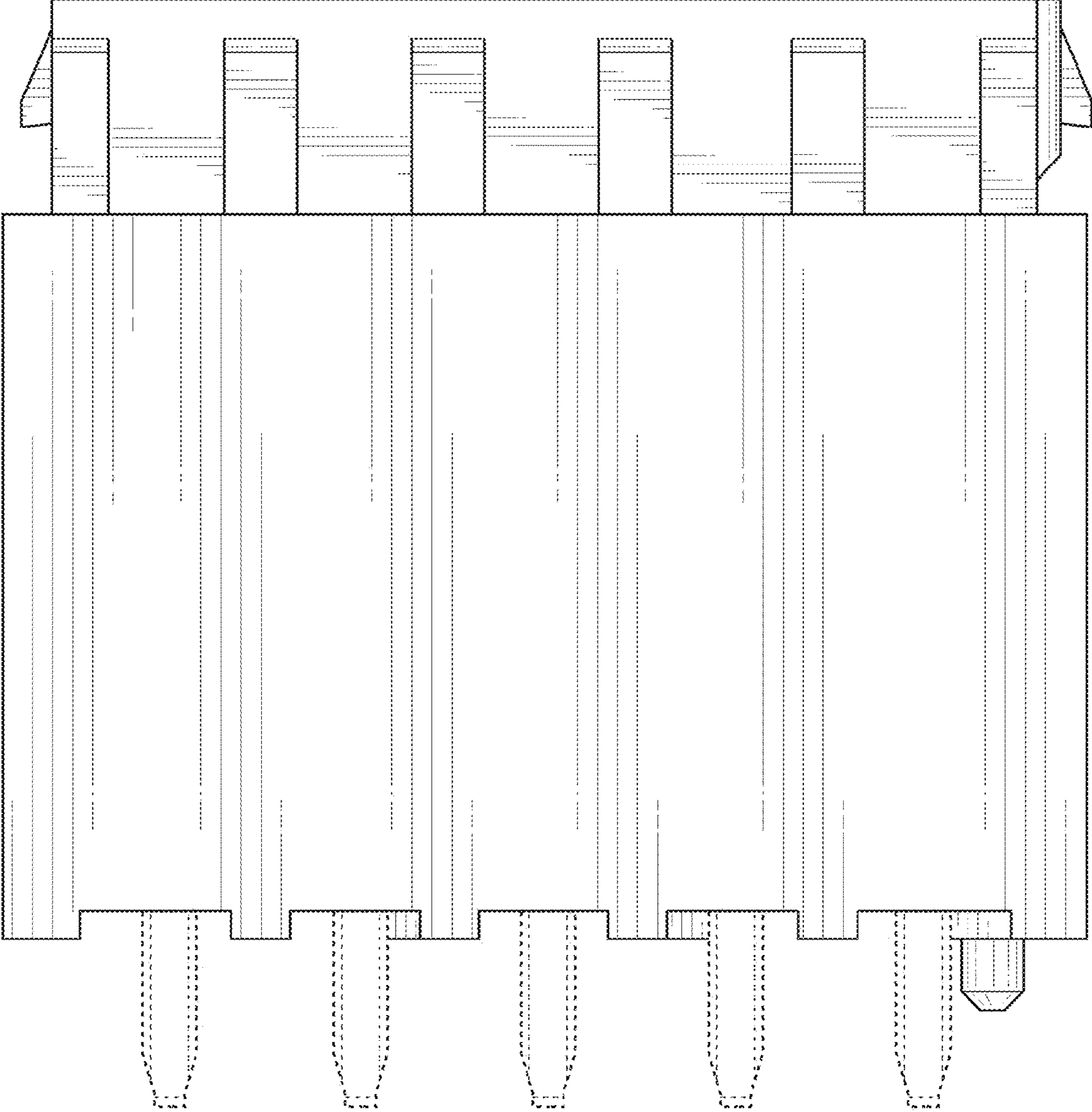


FIG. 68

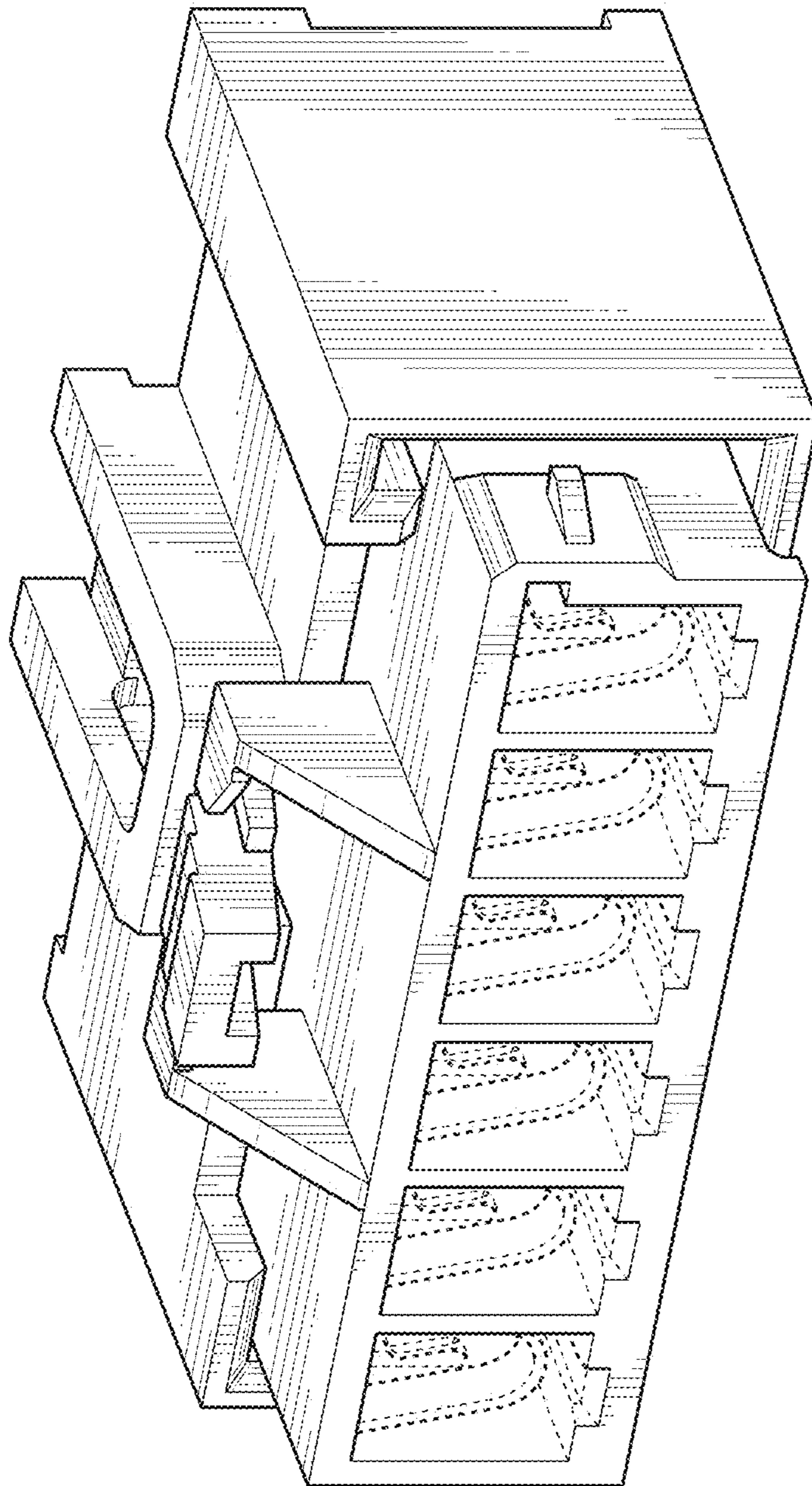


FIG. 69

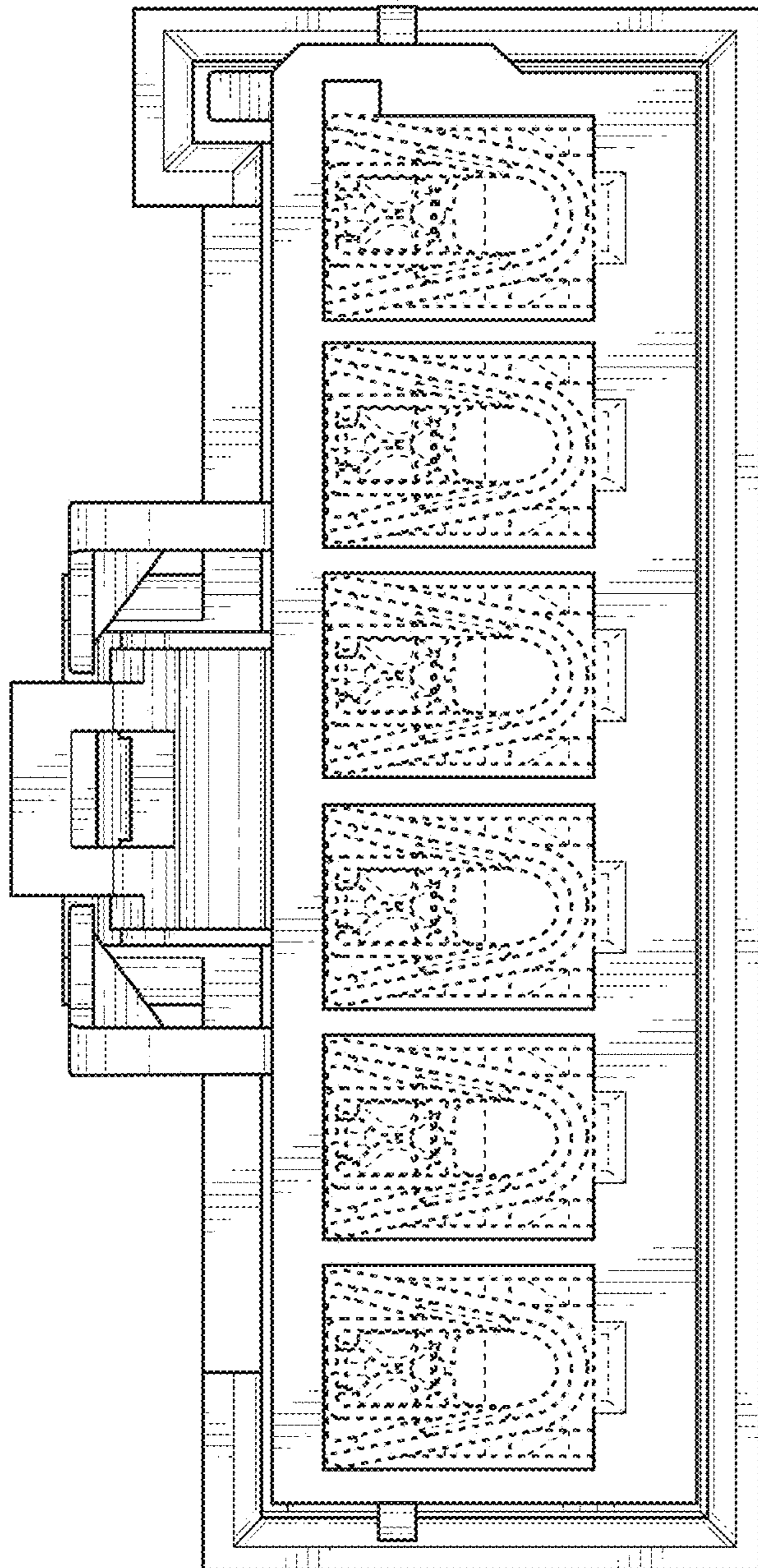


FIG. 70



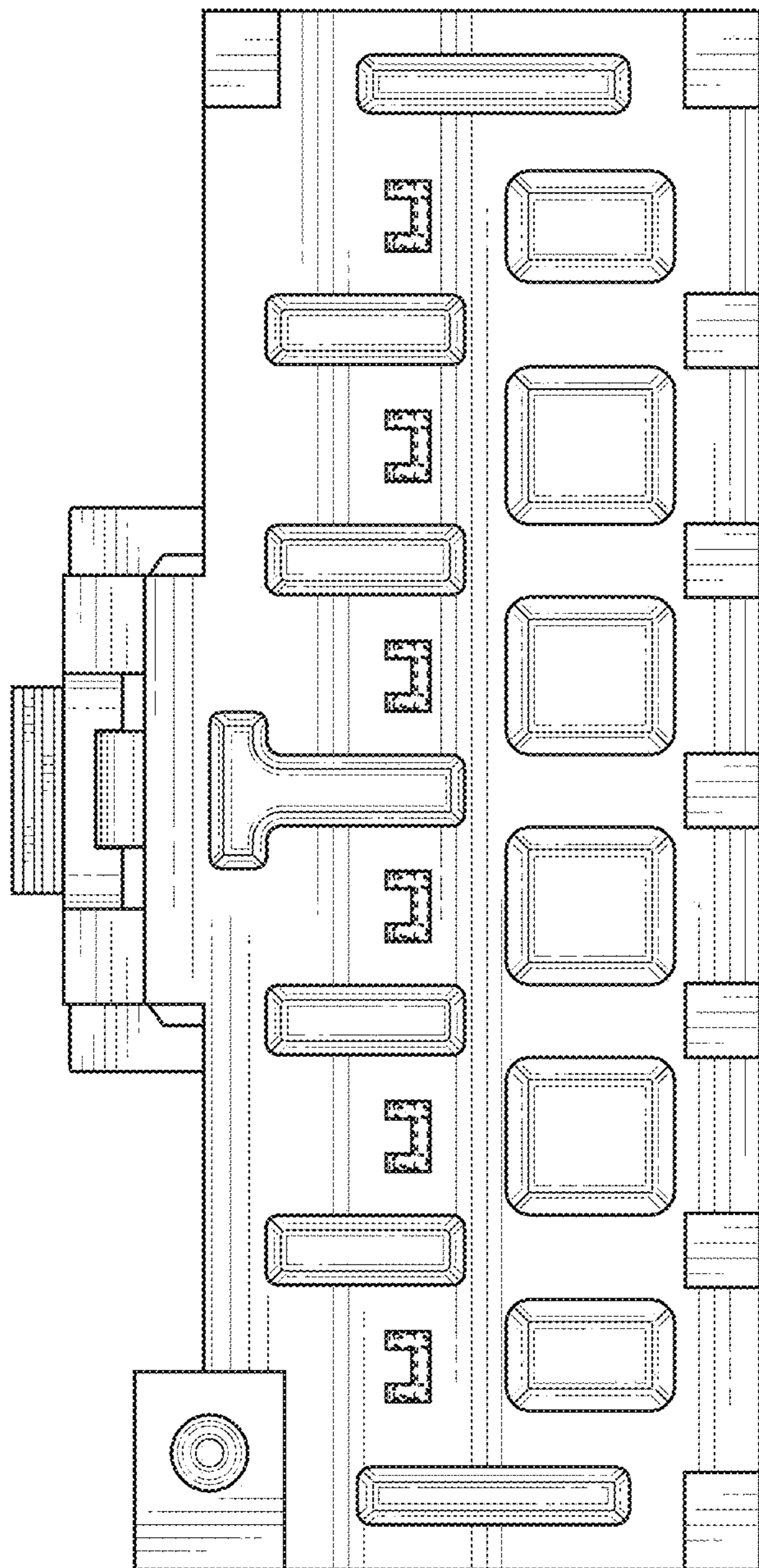


FIG. 71

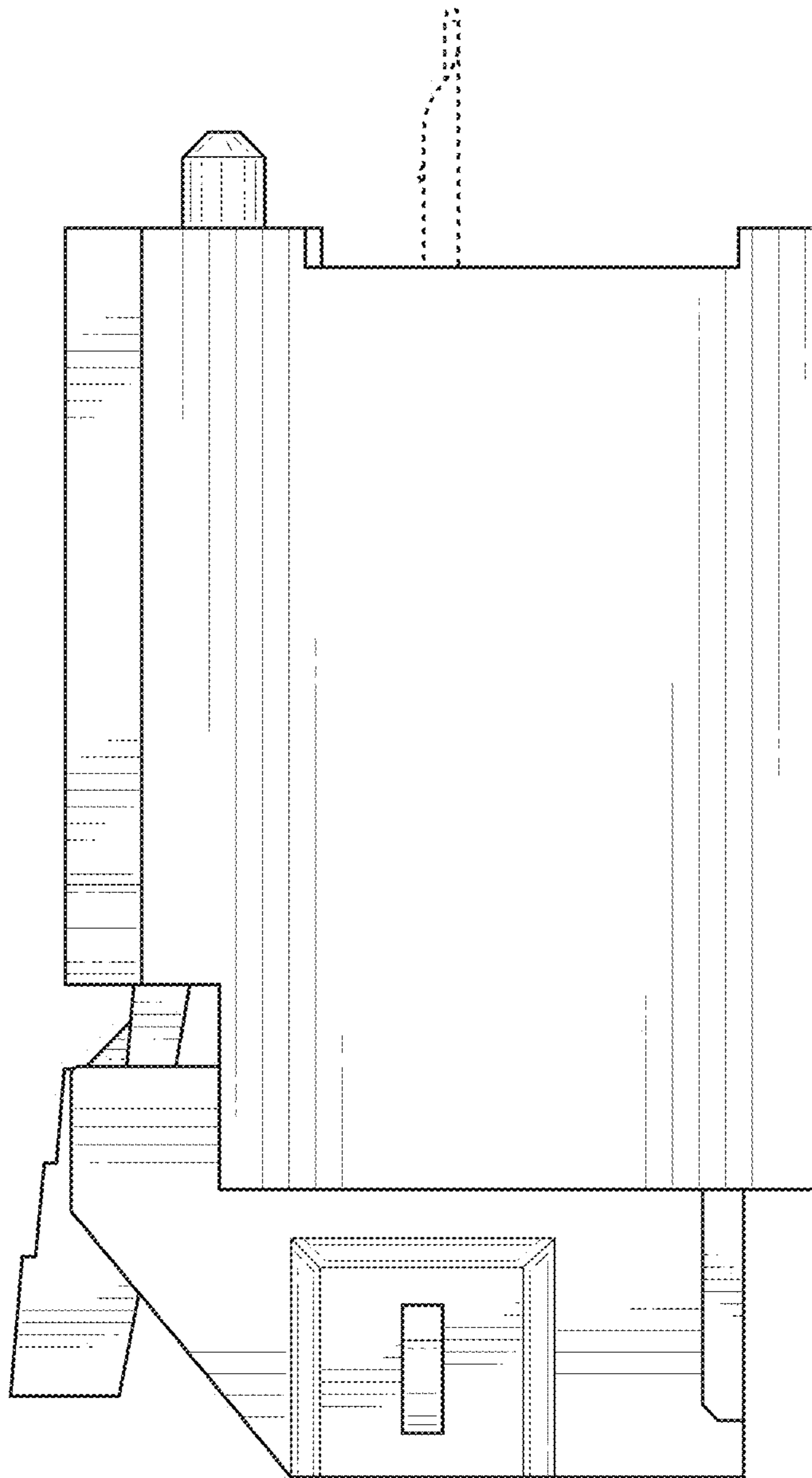


FIG. 72

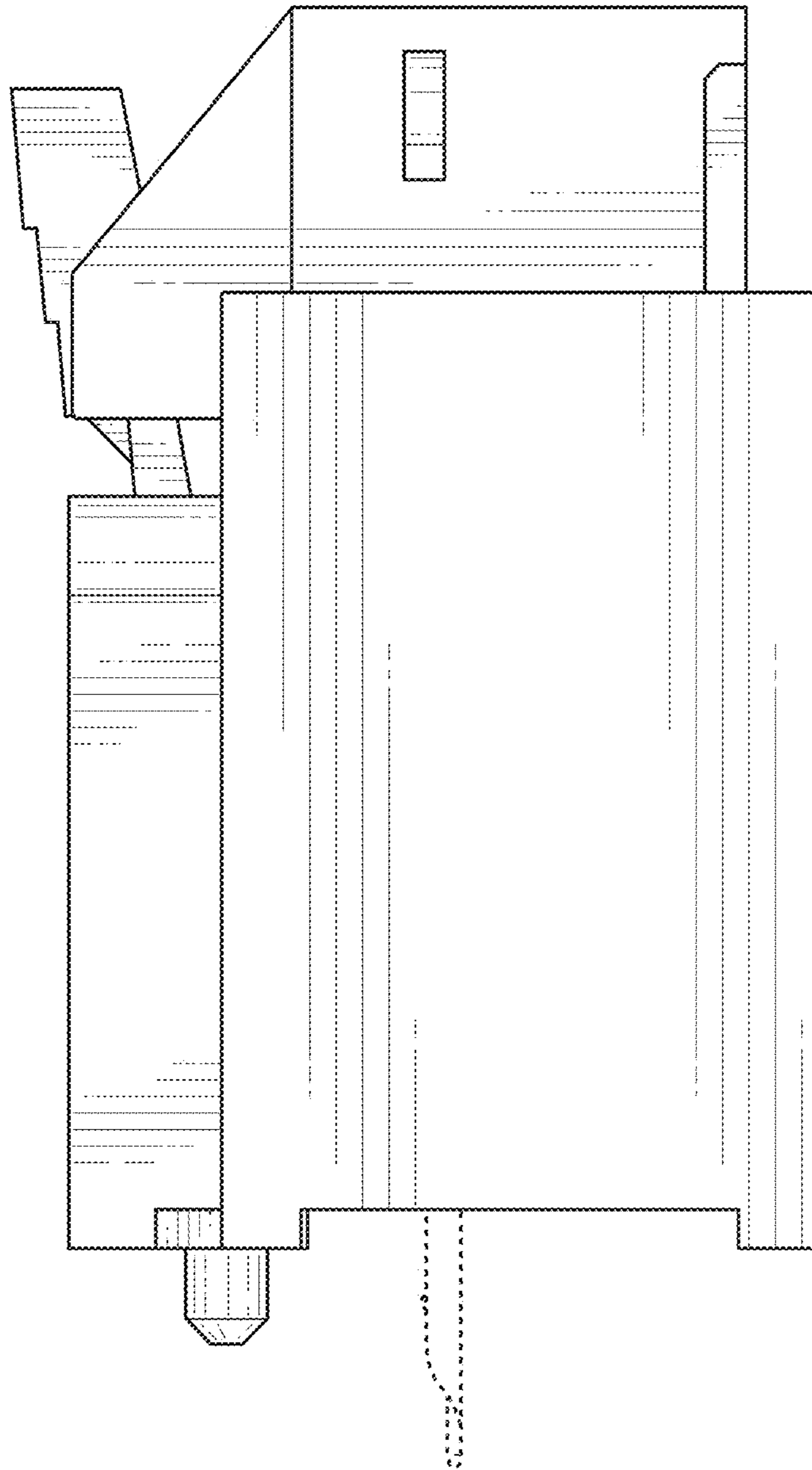


FIG. 73

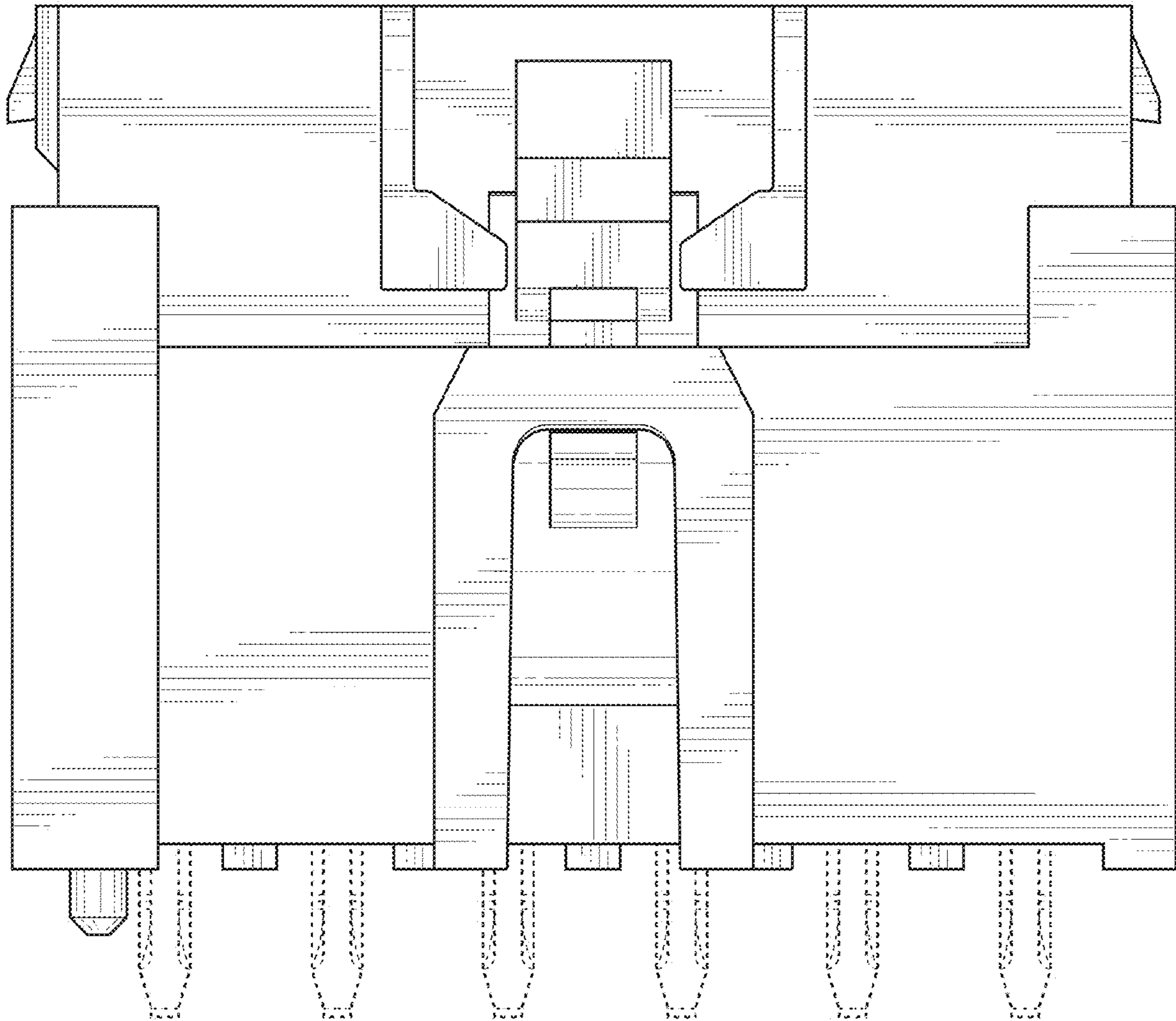


FIG. 74

FIG. 75

