



US00D899366S

(12) **United States Design Patent**
Chen

(10) **Patent No.:** **US D899,366 S**

(45) **Date of Patent:** **** Oct. 20, 2020**

(54) **POWER CONNECTOR**

(71) Applicant: **ZHEJIANG SHIJIA IMPORT AND EXPORT CO., LTD**, Jiaxing (CN)

(72) Inventor: **Xiuying Chen**, Jiaxing (CN)

(73) Assignee: **ZHEJIANG SHIJIA IMPORT AND EXPORT CO., LTD**, Jiaxing (CN)

(**) Term: **15 Years**

(21) Appl. No.: **29/677,080**

(22) Filed: **Jan. 17, 2019**

(51) **LOC (12) Cl.** **13-03**

(52) **U.S. Cl.**
USPC **D13/133; D13/147**

(58) **Field of Classification Search**
USPC D13/133, 146, 147, 154, 173, 184, 199, D13/120
CPC H01R 13/5205; H01R 13/506; H01R 13/5016; H01R 13/26; H01R 13/6581; H01R 13/6585; H01R 13/64; H01R 13/642; H01R 13/648
See application file for complete search history.

(56) **References Cited**

U.S. PATENT DOCUMENTS

D323,141 S * 1/1992 Sueyoshi D13/133
D402,628 S * 12/1998 Canuto D13/133

D652,798 S * 1/2012 Sekine D13/133
D689,435 S * 9/2013 Sekine D13/133
D836,557 S * 12/2018 Luo D13/147
D849,690 S * 5/2019 Luo D13/147
D851,595 S * 6/2019 Chen D13/133
D892,744 S * 8/2020 Lu D13/133

* cited by examiner

Primary Examiner — Karen E Kearney

Assistant Examiner — Michael Chong

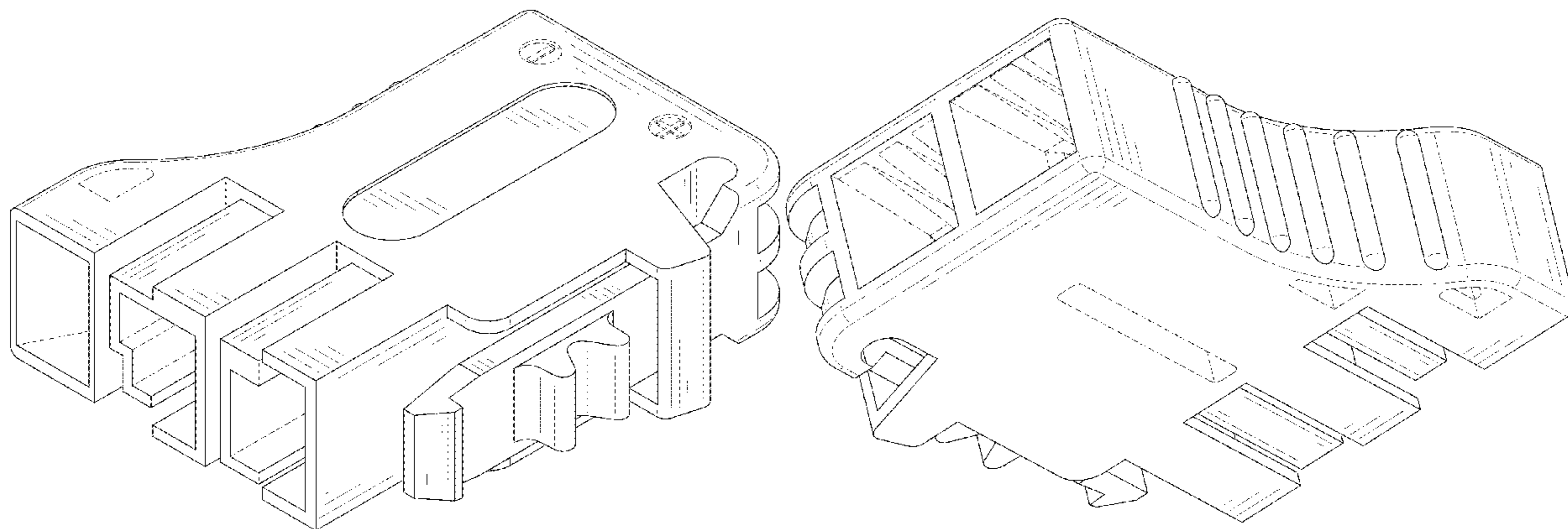
(57) **CLAIM**

The ornamental design for a power connector, as shown and described.

DESCRIPTION

FIG. 1 is a perspective view of a power connector showing my new design;
FIG. 2 is another perspective view thereof;
FIG. 3 is a front elevational view thereof;
FIG. 4 is a rear elevational view thereof;
FIG. 5 is a left side elevational view thereof;
FIG. 6 is a right side elevational view thereof;
FIG. 7 is a top plan view thereof; and,
FIG. 8 is a bottom plan view thereof.
The broken lines in the drawings illustrate portions of the power connector that form no part of the claimed design.

1 Claim, 8 Drawing Sheets



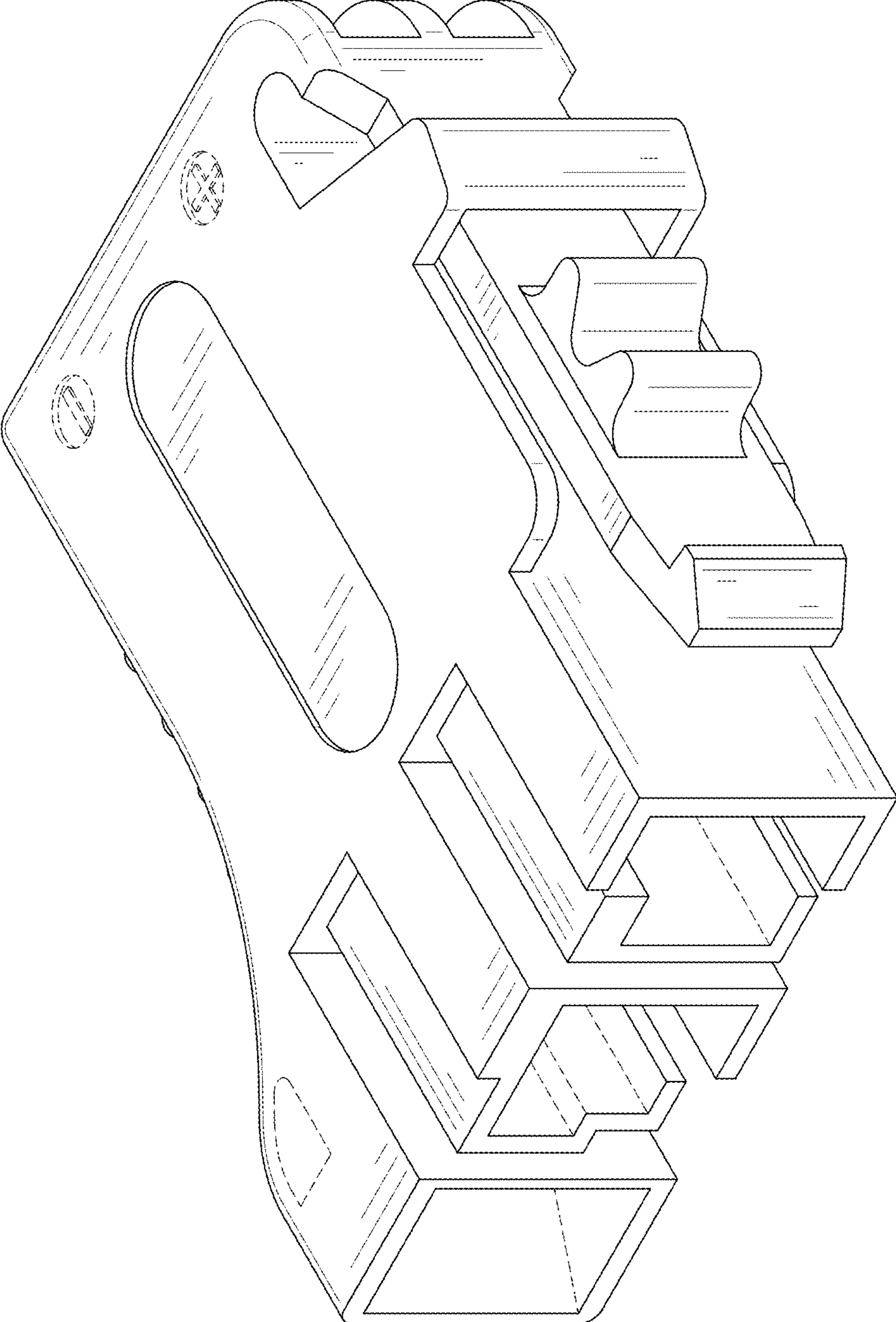


FIG. 1

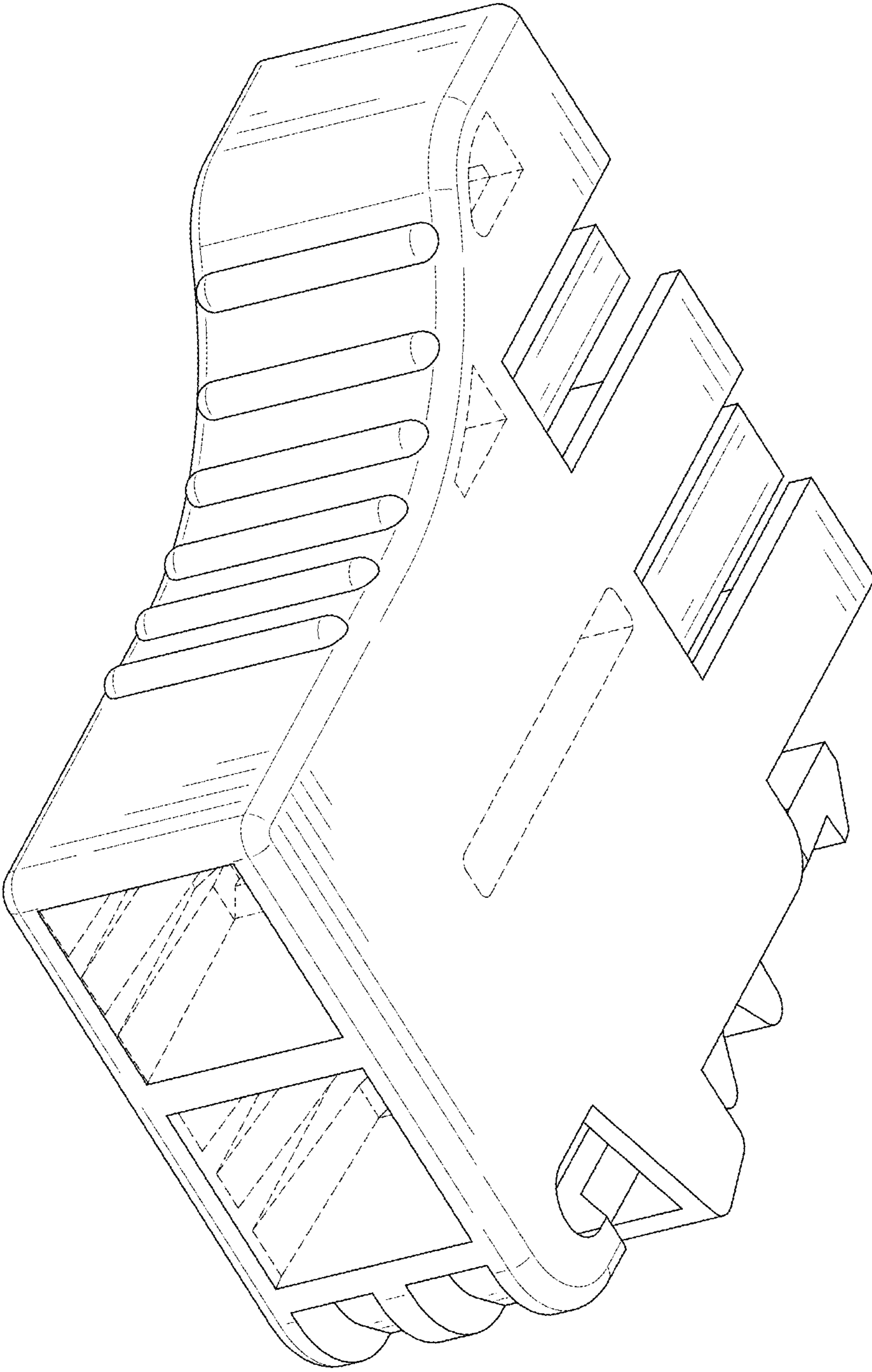


FIG. 2

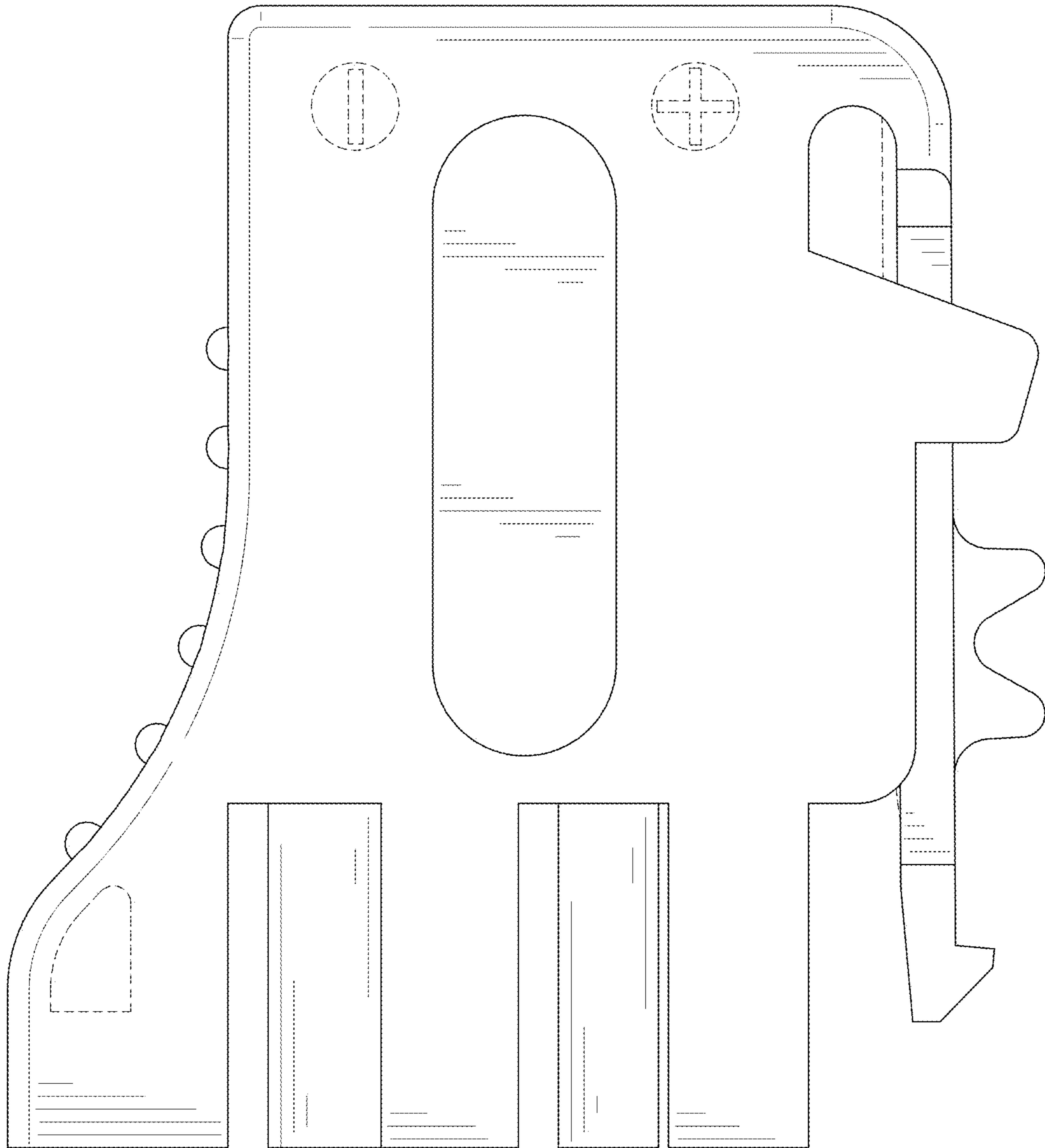


FIG. 3

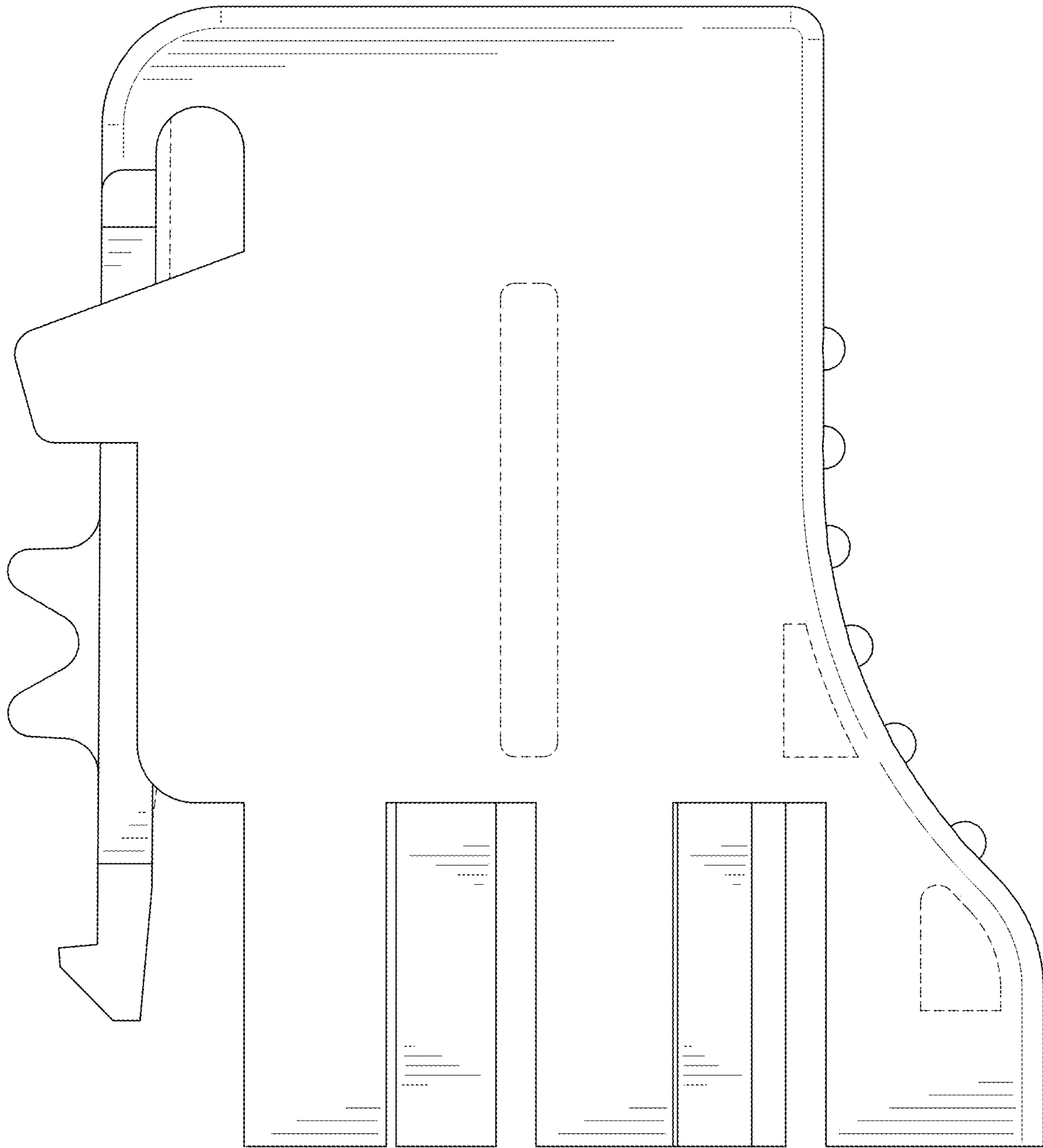


FIG. 4

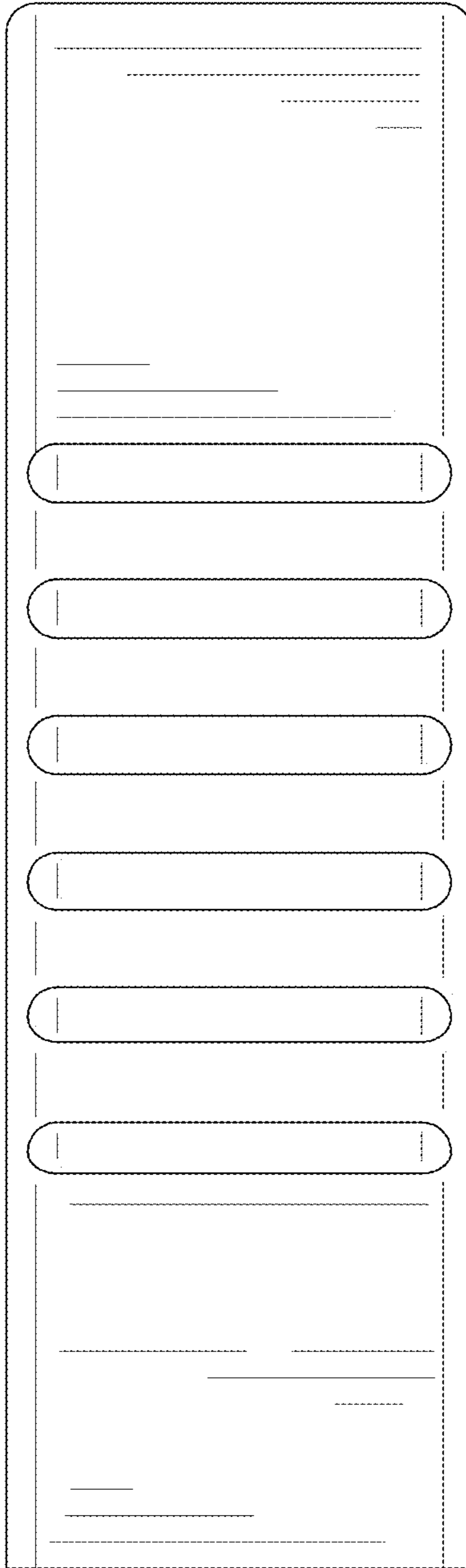


FIG. 5

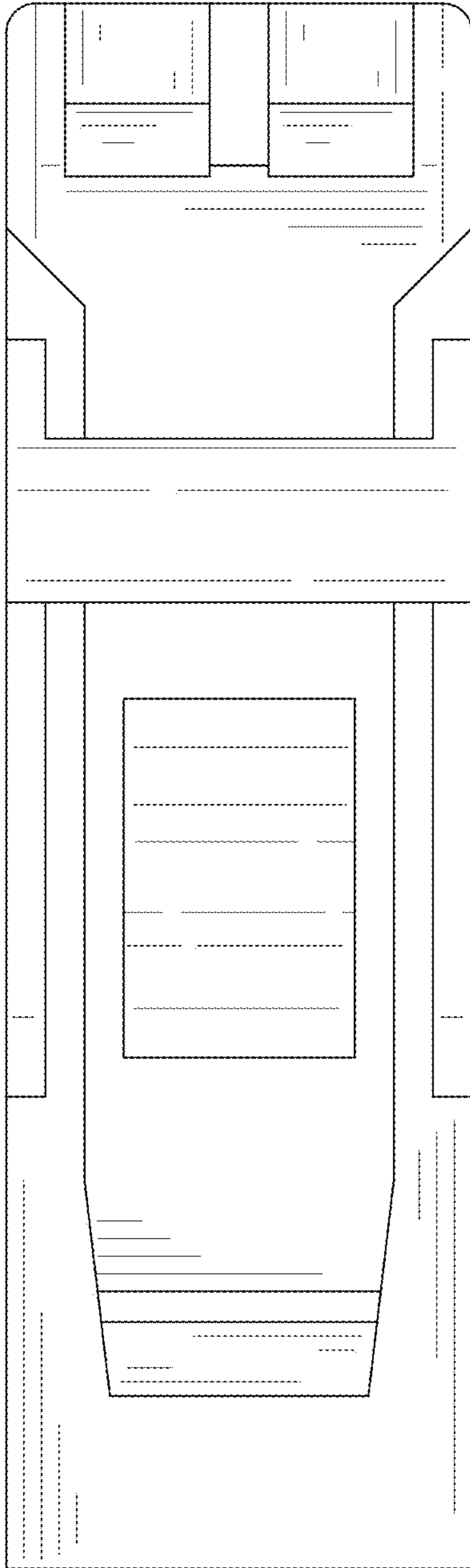


FIG. 6

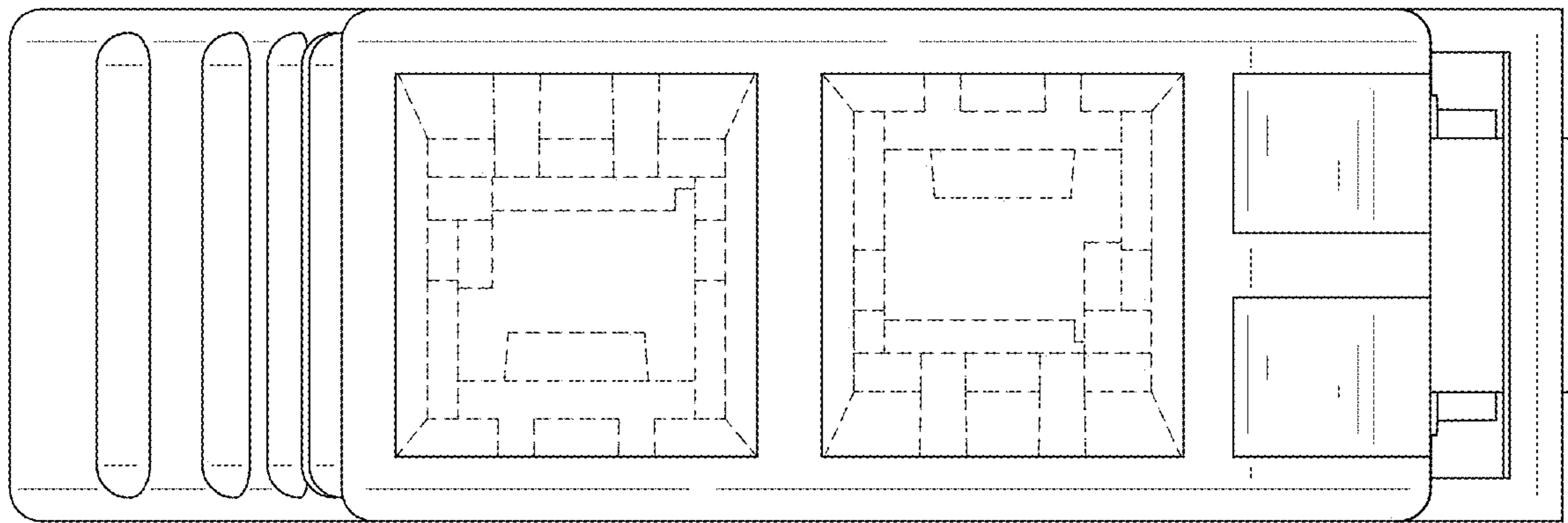


FIG. 7

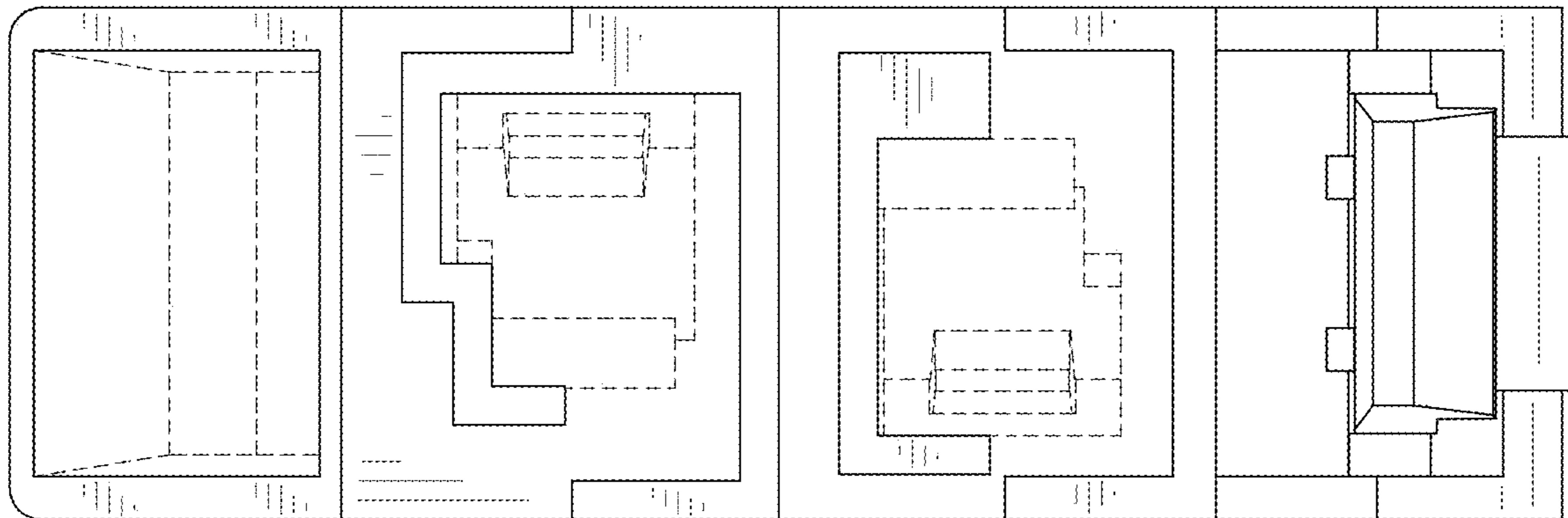


FIG. 8