



US00D899364S

(12) **United States Design Patent** (10) **Patent No.:** **US D899,364 S**
Zhang (45) **Date of Patent:** **** Oct. 20, 2020**

(54) **CHARGER**

(71) Applicant: **Deyong Zhang**, Shenzhen (CN)

(72) Inventor: **Deyong Zhang**, Shenzhen (CN)

(73) Assignee: **SHENZHEN YONGMINGSHANDER TECHNOLOGY & DEVELOPMENT CO., LTD.**, Shenzhen (CN)

(**) Term: **15 Years**

(21) Appl. No.: **29/719,478**

(22) Filed: **Jan. 4, 2020**

(51) **LOC (12) Cl.** **13-02**

(52) **U.S. Cl.**
 USPC **D13/110**

(58) **Field of Classification Search**
 USPC D13/110, 103, 107, 108, 118, 119, 138.1,
 D13/138.2, 139.1, 139.2, 184, 199;
 D14/253, 432, 433, 434
 CPC ... H02J 7/02; H02J 7/022; H02J 7/042; H01R
 25/00; H01R 25/003; H01R 13/44; H01R
 13/66; H01R 13/6675; H01R 27/00;
 H01R 31/06; H01R 31/44; H01R 31/065;
 Y02E 60/12; Y02E 60/50; Y02E 60/122;
 Y02E 60/124; H01M 2/02; H01M 2/022;
 H01M 2/0202; H01M 2/0207
 See application file for complete search history.

(56) **References Cited**

U.S. PATENT DOCUMENTS

5,613,863 A * 3/1997 Klaus H01R 27/00
 439/131

D431,020 S 9/2000 Harjunpaa et al.

6,227,888 B1 * 5/2001 Hahn H01R 27/00
 439/172

D587,193 S 2/2009 McGinley et al.

D621,348 S 8/2010 Nylén

D655,244 S 3/2012 Au

D658,123 S * 4/2012 Andre D13/110

D663,687 S 7/2012 Liu

D666,968 S * 9/2012 Huang D13/110

8,465,306 B2 * 6/2013 Ami H02J 7/0045
 439/140

D711,824 S * 8/2014 Matsuoka D13/110

D715,734 S * 10/2014 Levy D13/110

D729,160 S 5/2015 Levy et al.

D730,823 S 6/2015 Leung

D731,420 S 6/2015 Croft et al.

D731,970 S * 6/2015 Kamath D13/110

D733,043 S * 6/2015 Hasbrook D13/103

D735,130 S 7/2015 Huang

D741,796 S 10/2015 Robinson

D790,458 S 6/2017 He

D799,422 S 10/2017 Chen

(Continued)

Primary Examiner — Derrick E Holland
 (74) *Attorney, Agent, or Firm* — Law Offices of Steven
 W. Weinrieb

(57) **CLAIM**

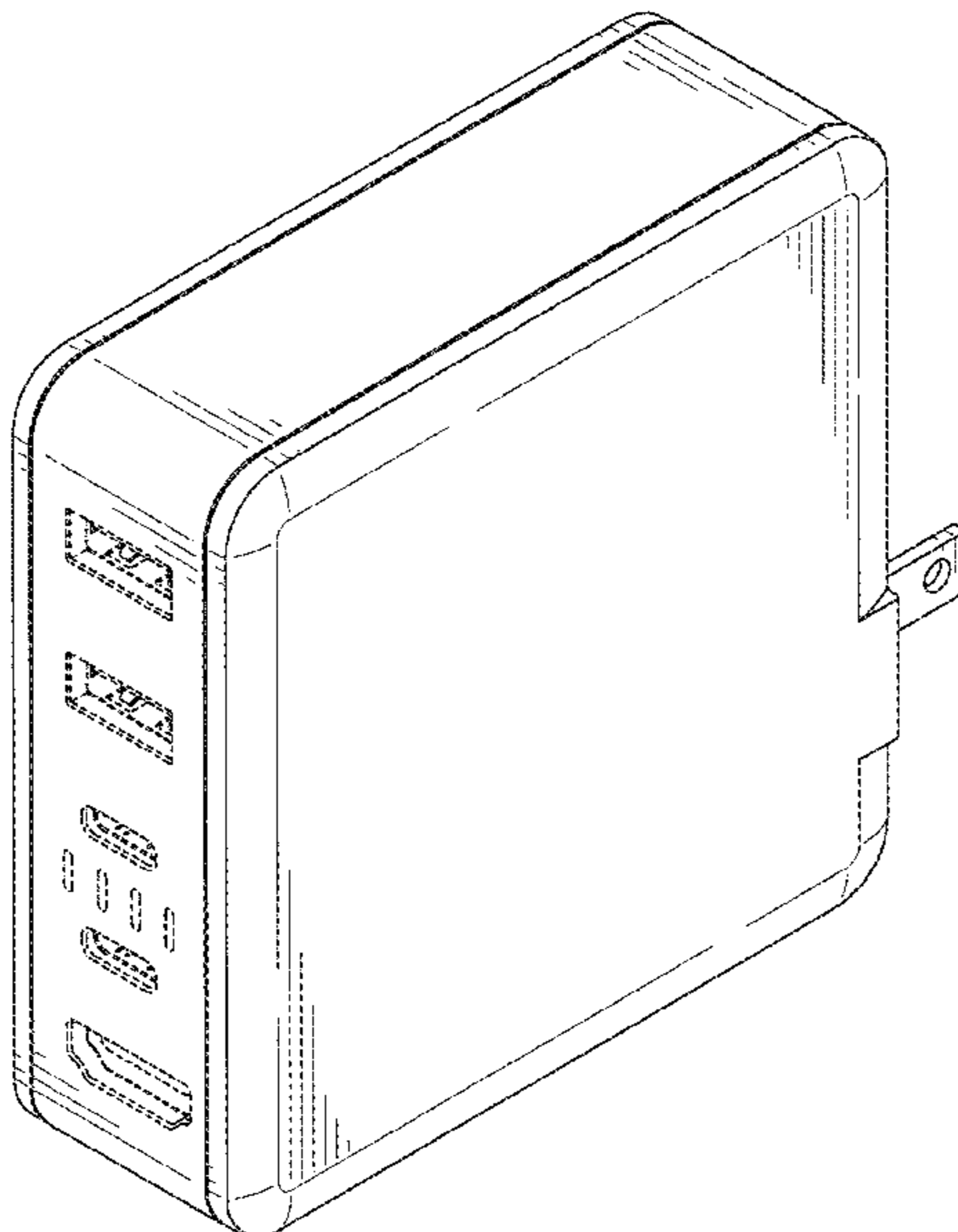
The ornamental design for a charger, as shown and described.

DESCRIPTION

FIG. 1 is a front, left side, top perspective view of a charger showing my new design;
 FIG. 2 is a rear, right side, bottom perspective view thereof;
 FIG. 3 is a front elevational view thereof;
 FIG. 4 is a rear elevational view thereof;
 FIG. 5 is a left side elevational view thereof;
 FIG. 6 is a right side elevational view thereof;
 FIG. 7 is a top plan view thereof;
 FIG. 8 is a bottom plan view thereof; and,
 FIG. 9 is an exploded rear, left side, bottom perspective view thereof.

The broken lines depict portions of the charger that form no part of the claimed design.

1 Claim, 9 Drawing Sheets



(56)

References Cited

U.S. PATENT DOCUMENTS

D806,021 S 12/2017 Xu
D832,780 S 11/2018 Lewis
D866,471 S * 11/2019 Xu D13/137.2
2019/0190220 A1* 6/2019 Lamb H01R 31/065

* cited by examiner

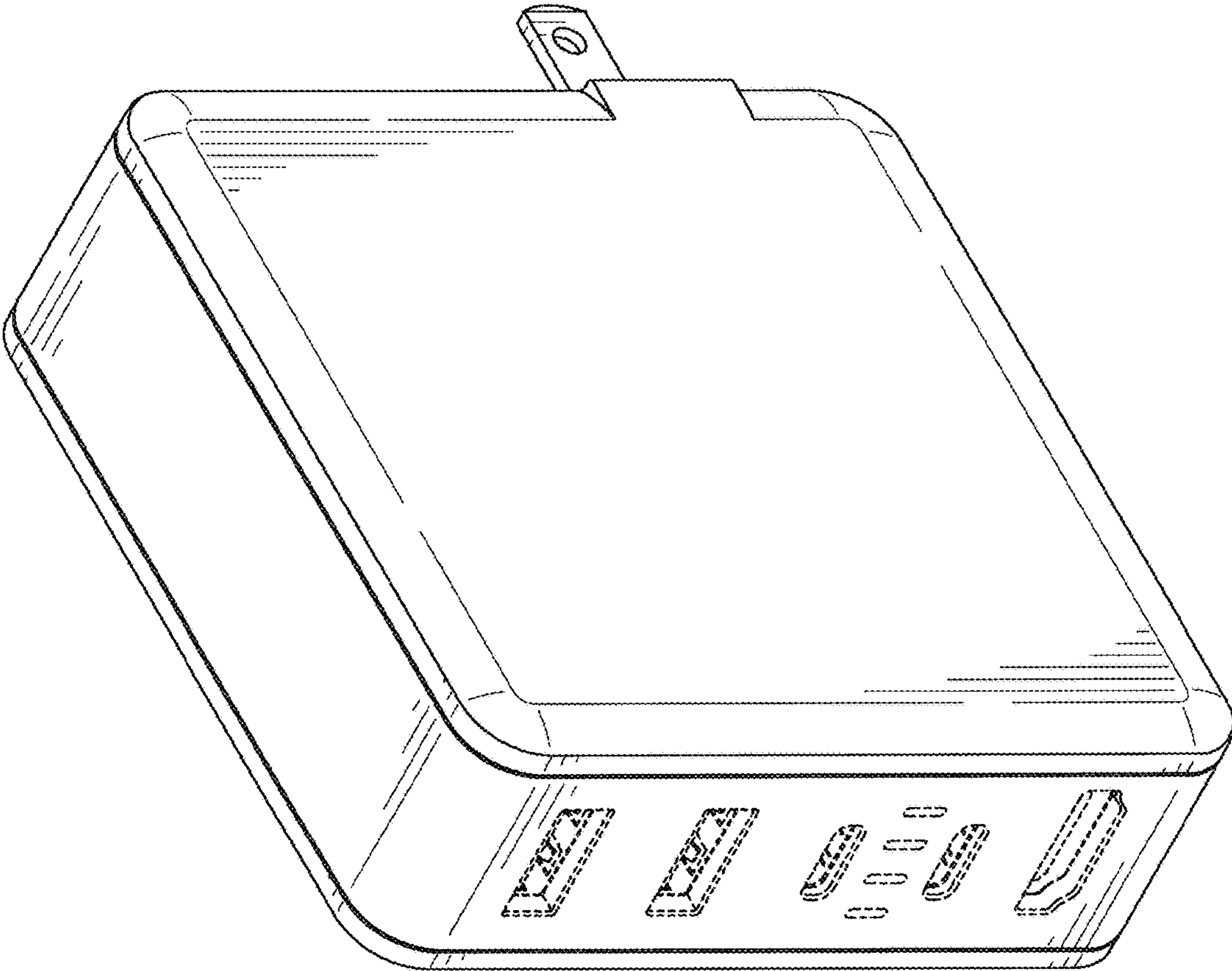


FIG. 1

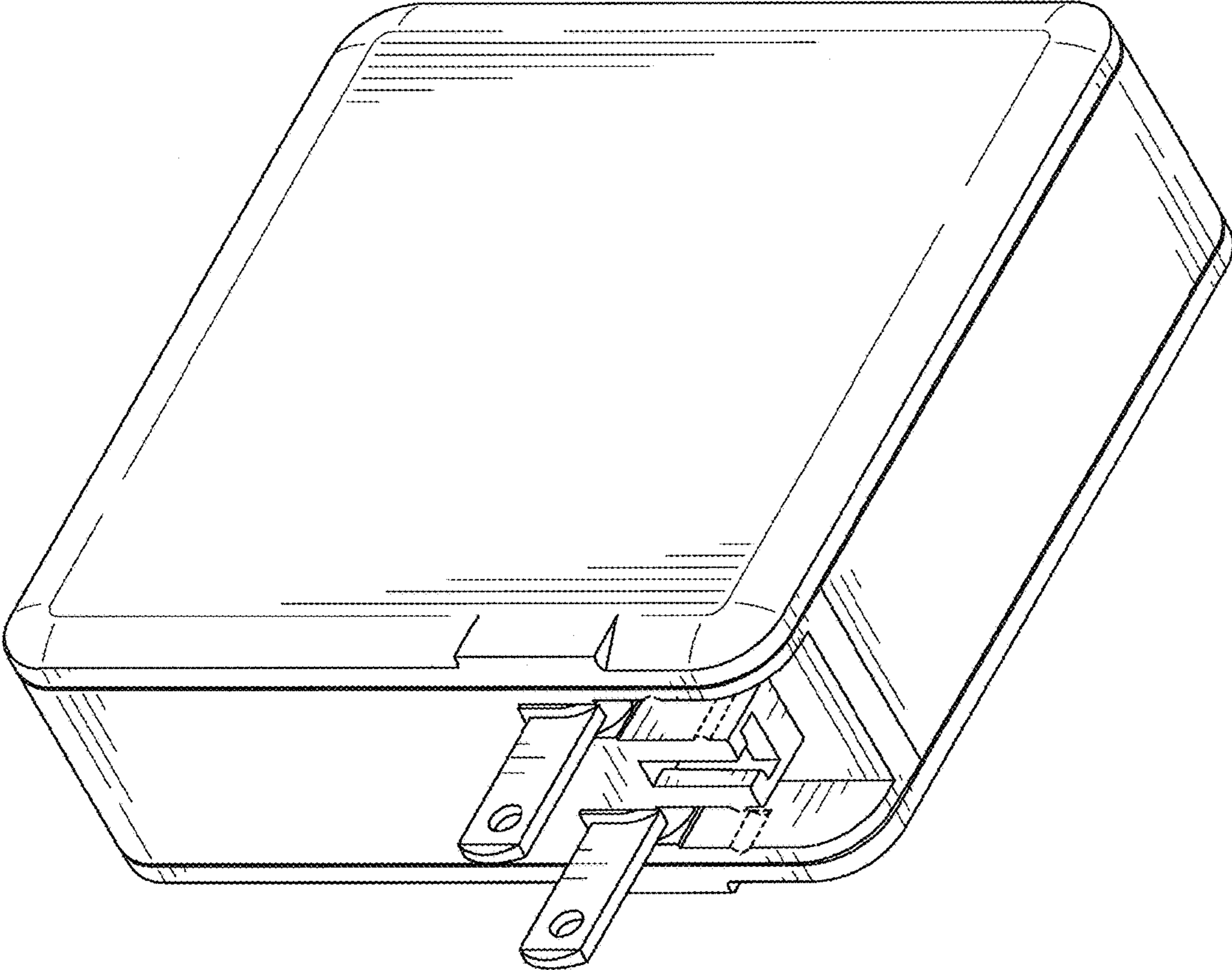


FIG. 2

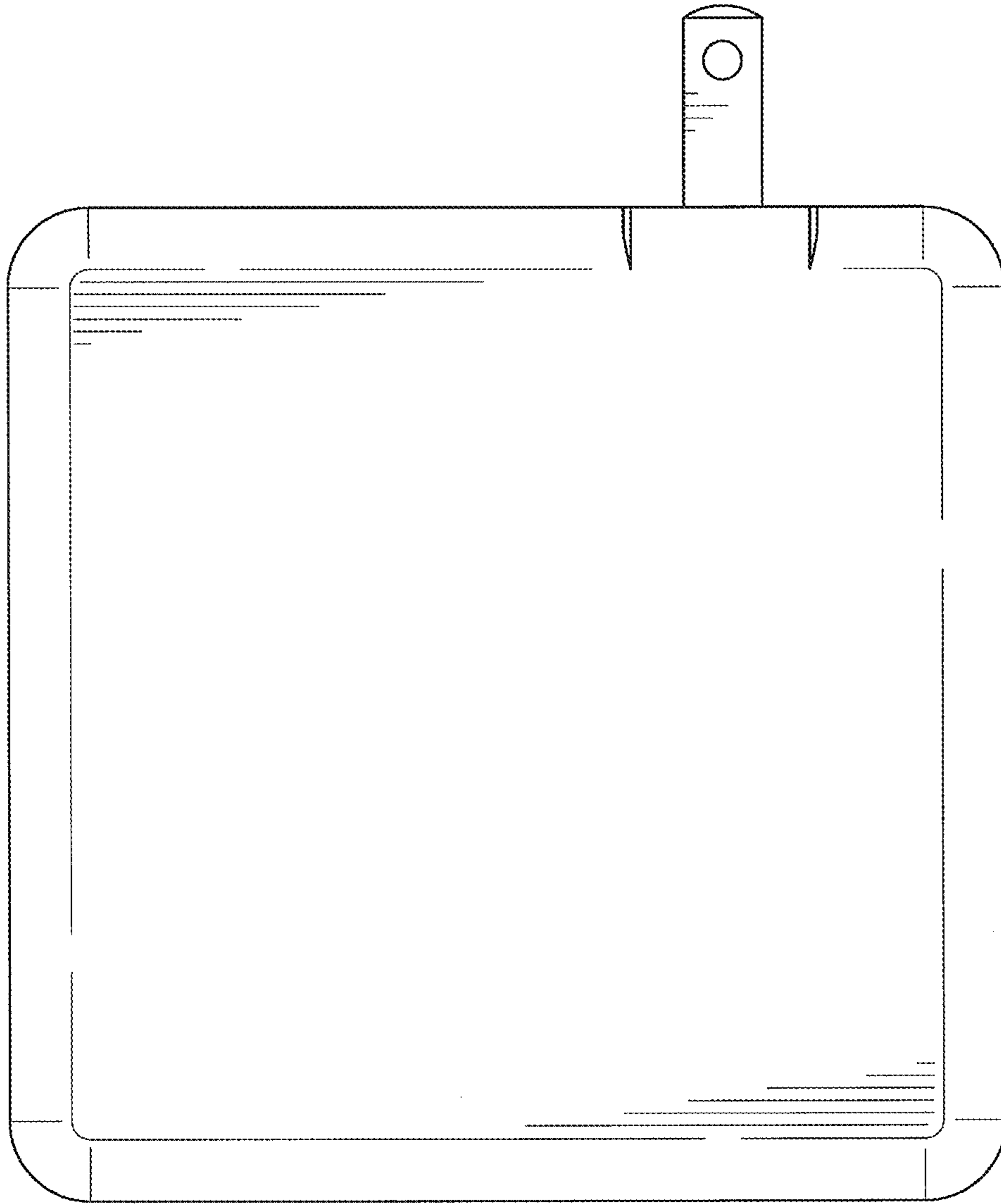


FIG. 3

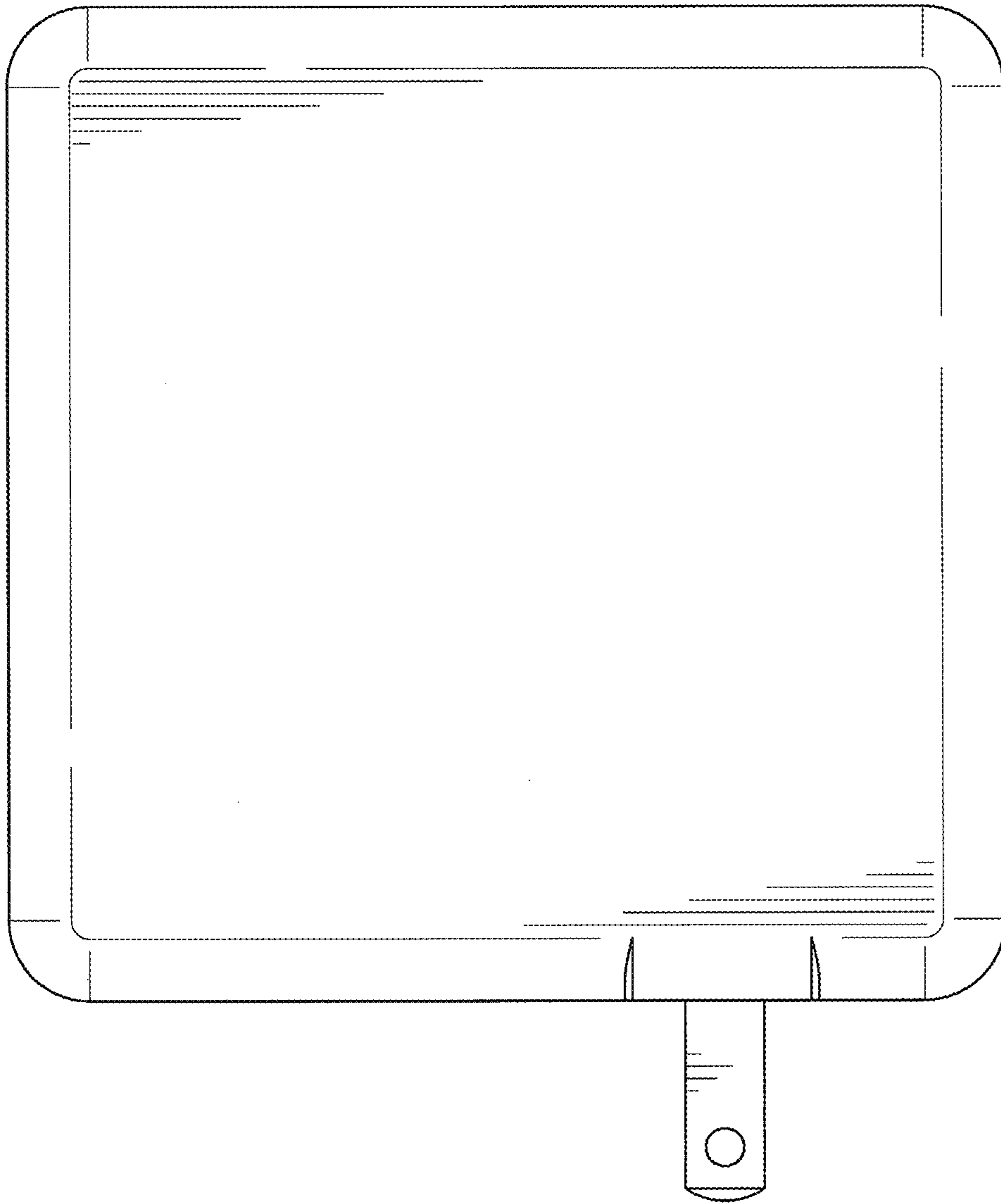


FIG. 4

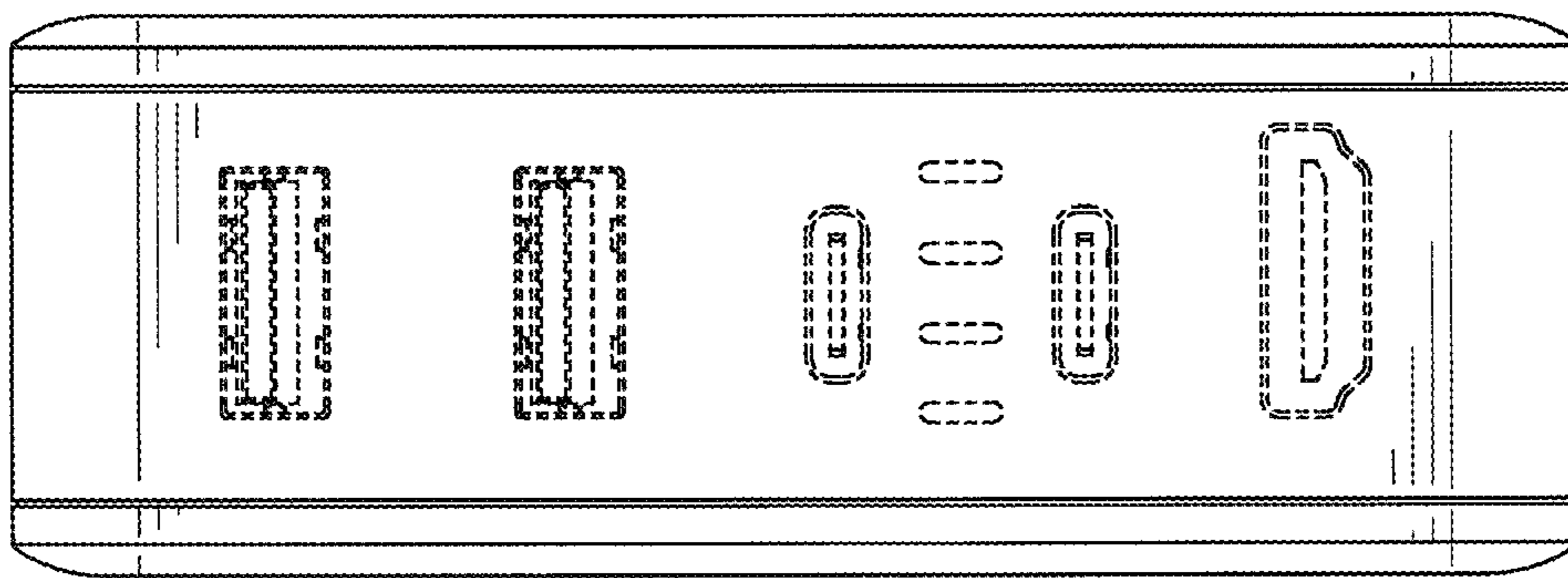


FIG. 5

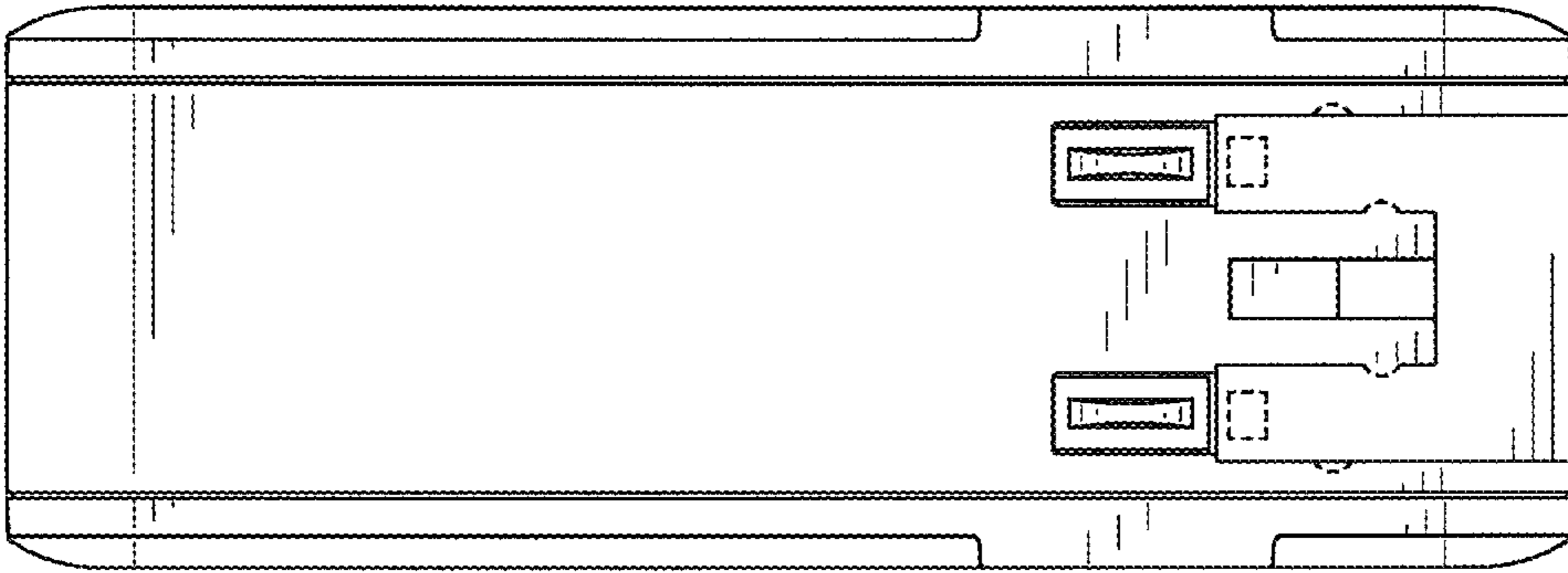


FIG. 6

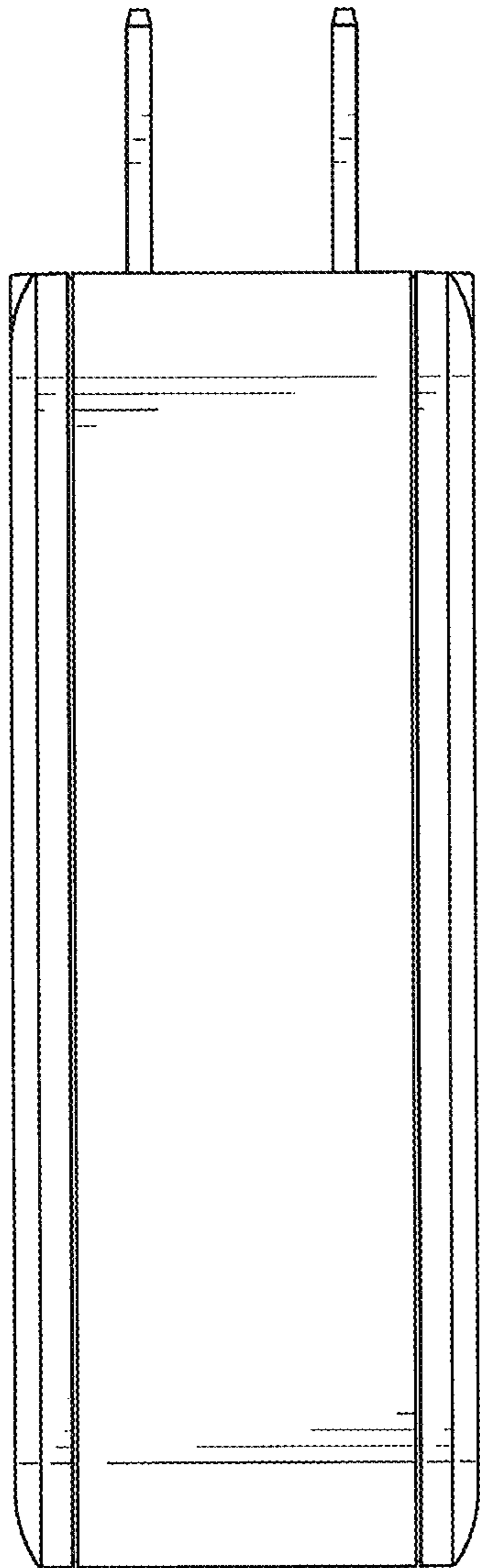


FIG. 7

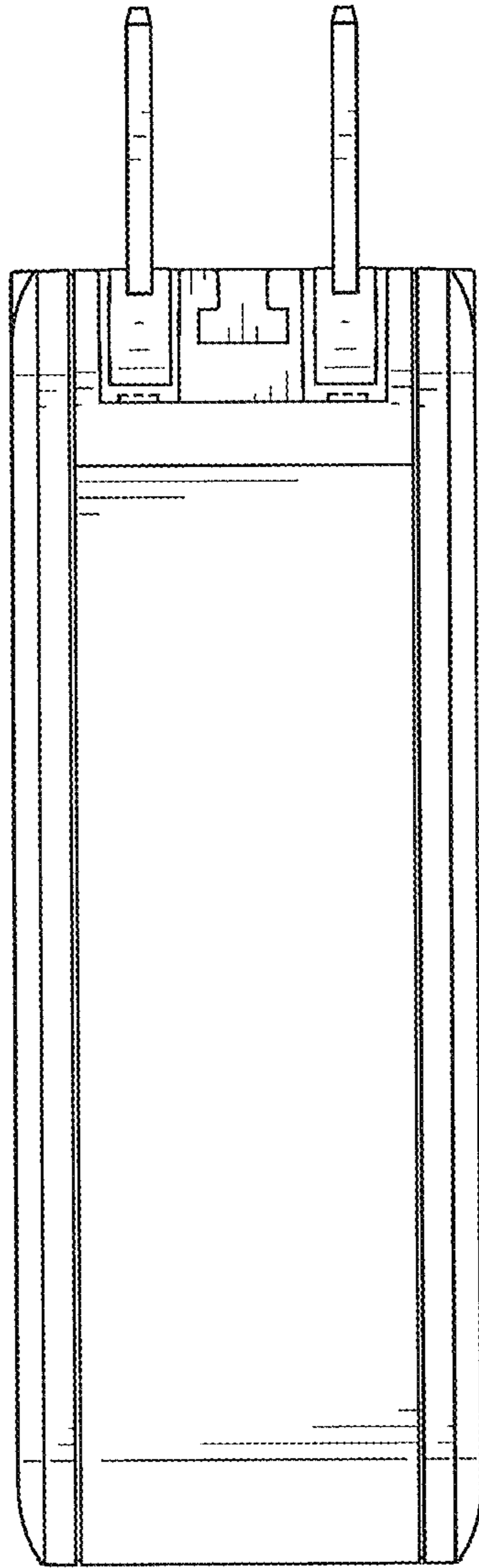


FIG. 8

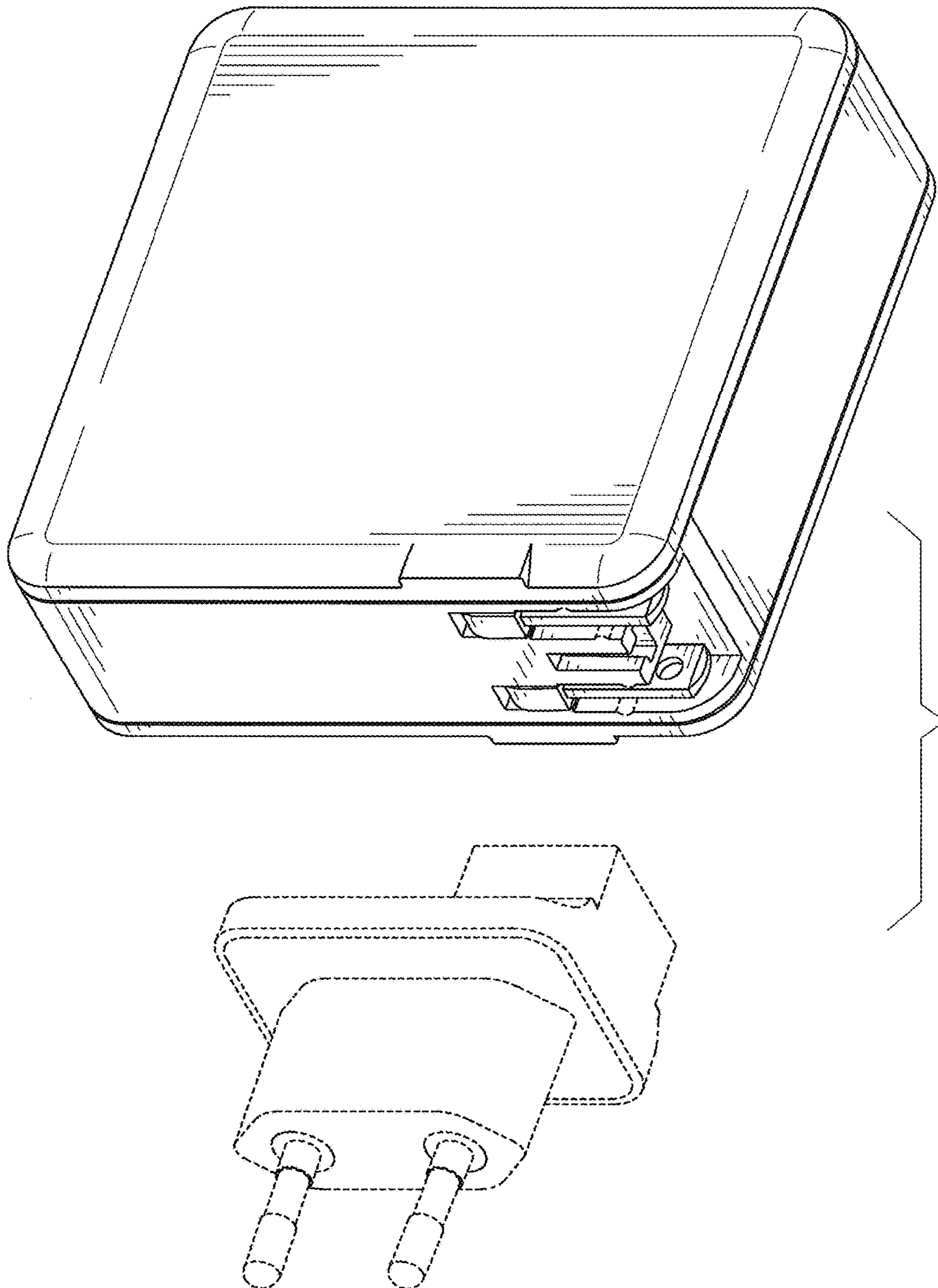


FIG. 9