



US00D899363S

(12) **United States Design Patent** (10) **Patent No.:** **US D899,363 S**
Wu (45) **Date of Patent:** **** Oct. 20, 2020**

(54) **MULTIPOINT ADAPTER**

(71) Applicant: **DONGGUAN KINGTRON ELECTRONICS TECH CO., LTD,**
Dongguan, Guangdong (CN)

(72) Inventor: **Shihong Wu,** Guangxi (CN)

(**) Term: **15 Years**

(21) Appl. No.: **29/717,822**

(22) Filed: **Dec. 19, 2019**

(51) **LOC (12) Cl.** **13-02**

(52) **U.S. Cl.**
USPC **D13/110**

(58) **Field of Classification Search**
USPC D13/110, 103, 107, 108, 118, 123, 162,
D13/168, 169, 174, 177, 184, 199;
D14/257, 432, 433, 438; 174/16.3, 17 R,
174/17.08; 361/600, 601, 690, 694, 695,
361/679.01, 679.61, 704, 730; 363/141,
363/142

CPC H05K 5/00; H05K 5/02; H05K 5/0247;
H05K 7/00; H05K 7/20; H05K 7/20136;
H05K 7/20154; H05K 7/209; H02M 7/00;
H02M 7/003; H02M 2001/009; H02J
7/0042; Y10T 307/367; G06F 13/00;
G06F 13/382; G06F 13/385; G06F
13/387; G06F 2213/4004; H01R 31/06;
H01R 31/065; H01R 29/00

See application file for complete search history.

(56) **References Cited**

U.S. PATENT DOCUMENTS

D661,249 S * 6/2012 Smith D13/110
D767,486 S * 9/2016 Yu D13/103

D798,301 S * 9/2017 Kujawski D14/433
D828,356 S * 9/2018 Xie D14/433
D828,839 S * 9/2018 Zhang D14/433
D828,841 S * 9/2018 Zhang D14/433
D866,557 S 11/2019 Xiong

OTHER PUBLICATIONS

<https://www.amazon.com/USB-Hub-Multiport-Adapter-Compatible/dp/B07RL5L8ZL> May 8, 2019—FlePow multiport adapter (Year: 2019).*

* cited by examiner

Primary Examiner — Derrick E Holland

(74) *Attorney, Agent, or Firm* — ZANIP

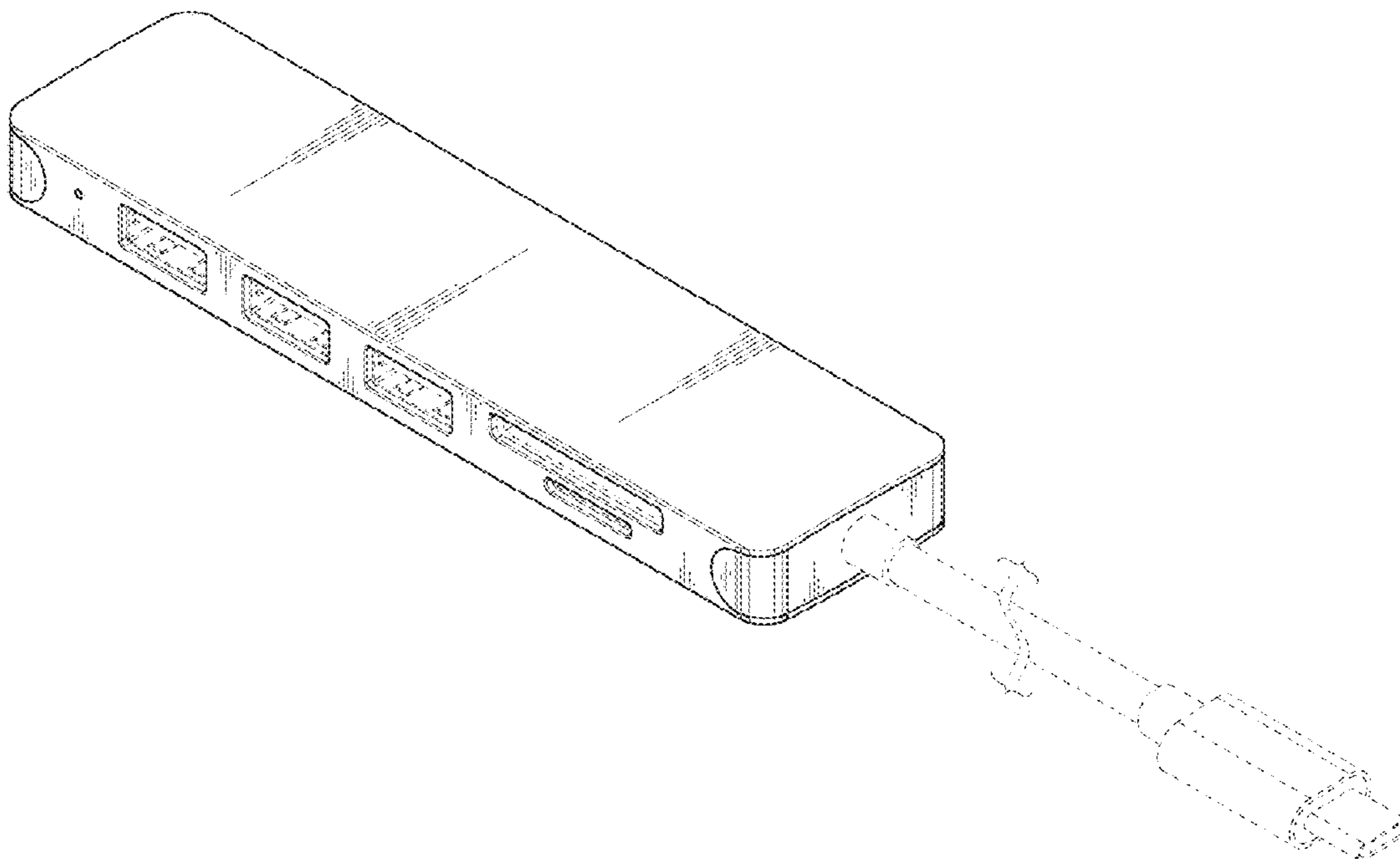
(57) **CLAIM**

The ornamental design for a multiport adapter, as shown and described.

DESCRIPTION

FIG. 1 is a front, right and top perspective view of a multiport adapter showing my new design; FIG. 2 is a front elevational view thereof; FIG. 3 is a rear elevational view thereof; FIG. 4 is a left side elevational view thereof; FIG. 5 is a right side elevational view thereof; FIG. 6 is a top plan view thereof; and, FIG. 7 is a bottom plan view thereof. The broken lines shown represent portions of the multiport adapter that form no part of the claimed design.

1 Claim, 6 Drawing Sheets



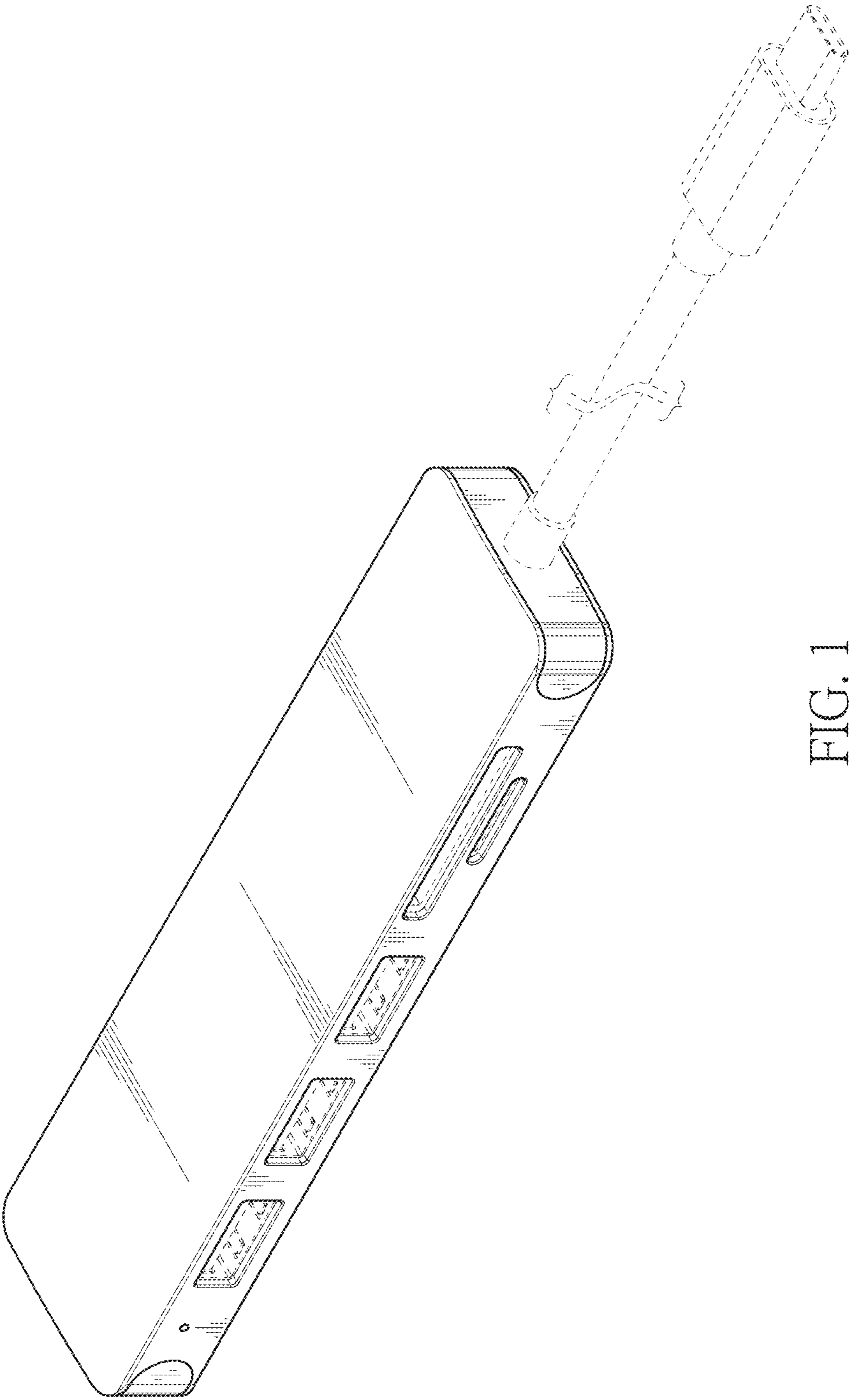


FIG. 1

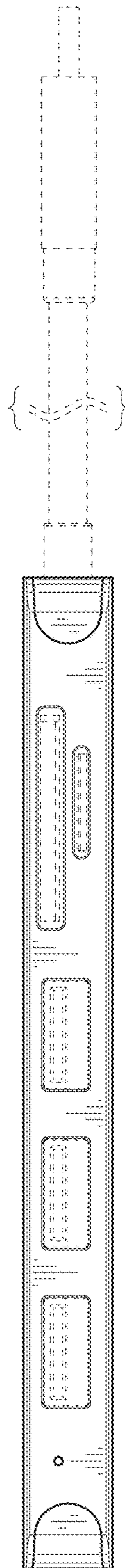


FIG. 2

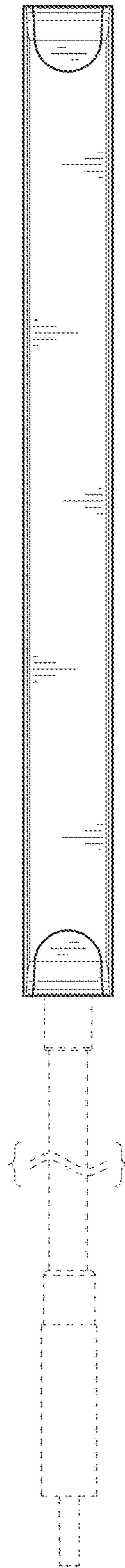


FIG. 3

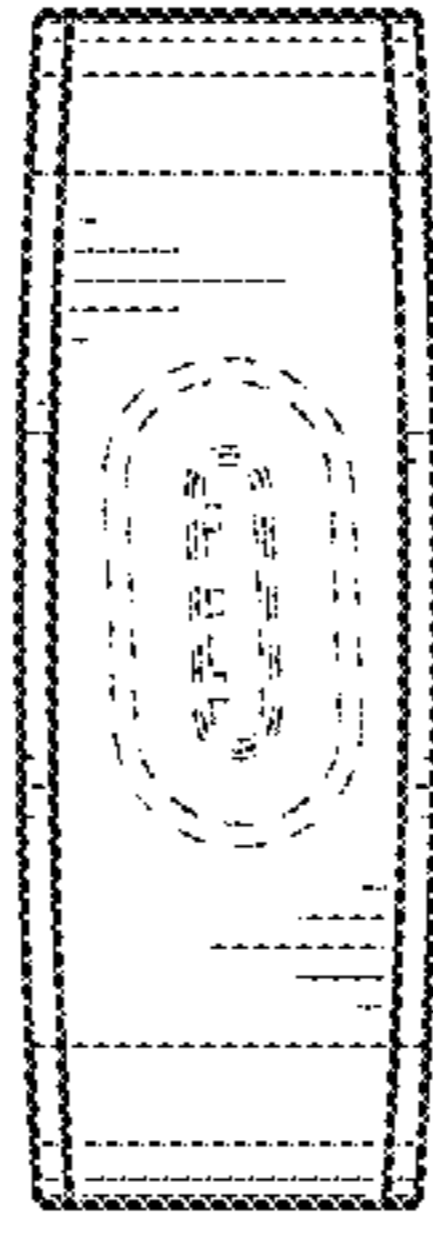


FIG. 5

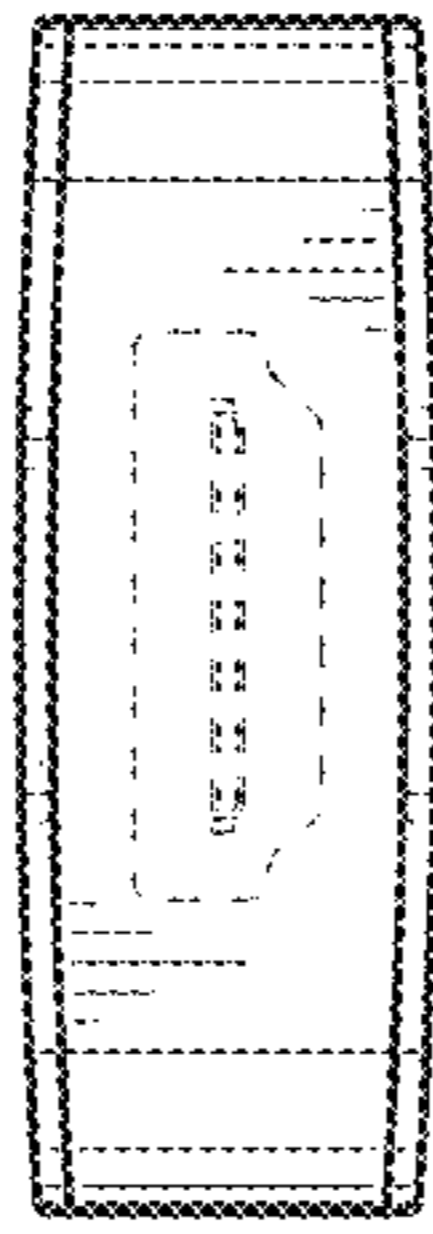


FIG. 4

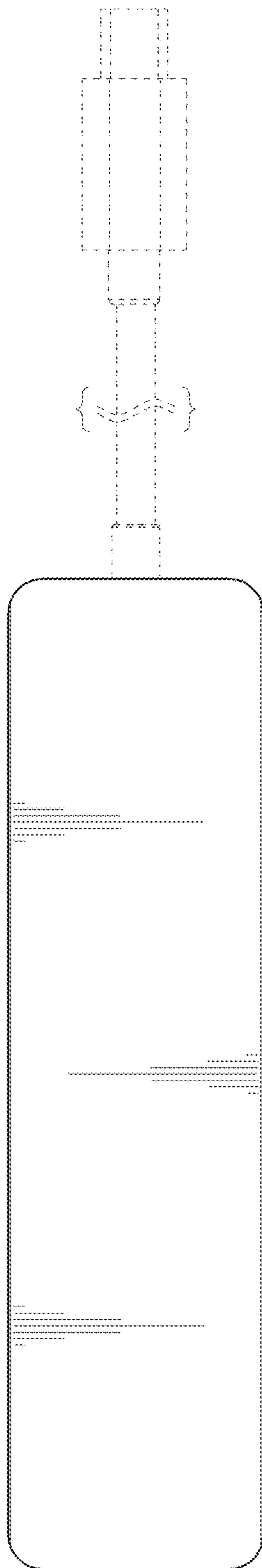


FIG. 6

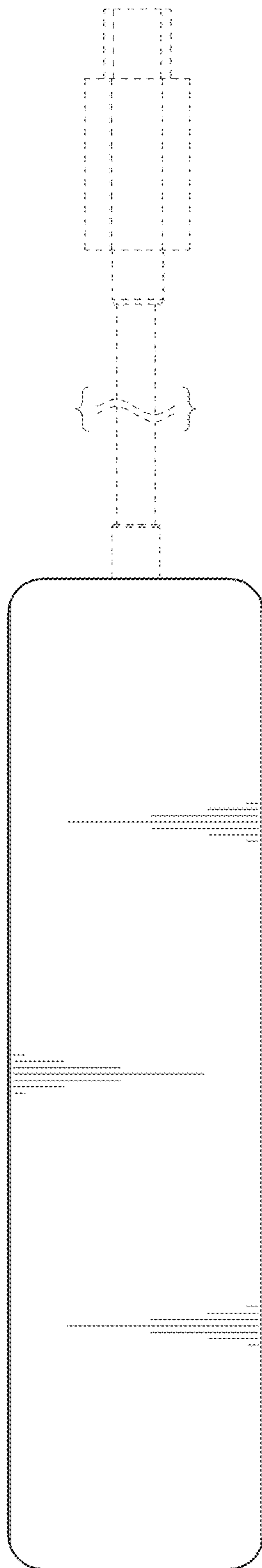


FIG. 7