



US00D899362S

(12) **United States Design Patent**
LaFave

(10) **Patent No.:** **US D899,362 S**

(45) **Date of Patent:** **** Oct. 20, 2020**

(54) **POWER ADAPTER**

(71) Applicant: **Nanjing Chervon Industry Co., Ltd.**,
Nanjing (CN)

(72) Inventor: **Matthew LaFave**, Grand Rapids, MI
(US)

(73) Assignee: **Nanjing Chervon Industry Co., Ltd.**,
Nanjing (CN)

(**) Term: **15 Years**

(21) Appl. No.: **29/672,723**

(22) Filed: **Dec. 7, 2018**

(30) **Foreign Application Priority Data**

Jun. 11, 2018 (CN) 2018 3 0291433

(51) **LOC (12) Cl.** **13-02**

(52) **U.S. Cl.**
USPC **D13/110**

(58) **Field of Classification Search**

USPC D13/110, 108, 118, 123, 162, 168, 169,
D13/174, 177, 184, 199; D14/257, 432,
D14/438

CPC B60L 15/00; B60L 15/007; B60L 50/51;
B60K 17/04; H02K 5/06; H05K 5/00;
H05K 5/02; H05K 5/0247; H05K 7/00;
H05K 7/20; H05K 7/20136; H05K
7/20154; H05K 7/209; H02M 7/00;
H02M 7/003

See application file for complete search history.

(56) **References Cited**

U.S. PATENT DOCUMENTS

8,040,088 B2 * 10/2011 Katayama H02M 7/003
318/400.07
D654,021 S * 2/2012 Sweeney D13/110

D676,809 S * 2/2013 Tomczak D13/110
D693,298 S * 11/2013 Inskeep D13/110
D704,638 S * 5/2014 Inskeep D13/110
D705,729 S * 5/2014 Inskeep D13/110
D712,834 S * 9/2014 Munro D13/116
D716,728 S * 11/2014 Oyadomari D13/110
D793,955 S * 8/2017 Yang D13/107
D806,025 S * 12/2017 Ceravalo D13/110
D806,026 S * 12/2017 Ceravalo D13/110
D806,027 S * 12/2017 Ceravalo D13/110
D810,018 S * 2/2018 Ceravalo D13/110

* cited by examiner

Primary Examiner — Susan Bennett Hattan

Assistant Examiner — Suzanne E Tisdell

(74) *Attorney, Agent, or Firm* — Greenberg Traurig, LLP

(57) **CLAIM**

The ornamental design for a power adapter, as shown and described.

DESCRIPTION

FIG. 1 is a front elevational view of a power adapter showing my new design;

FIG. 2 is a rear elevational view thereof;

FIG. 3 is a left side elevational view thereof;

FIG. 4 is a right side elevational view thereof;

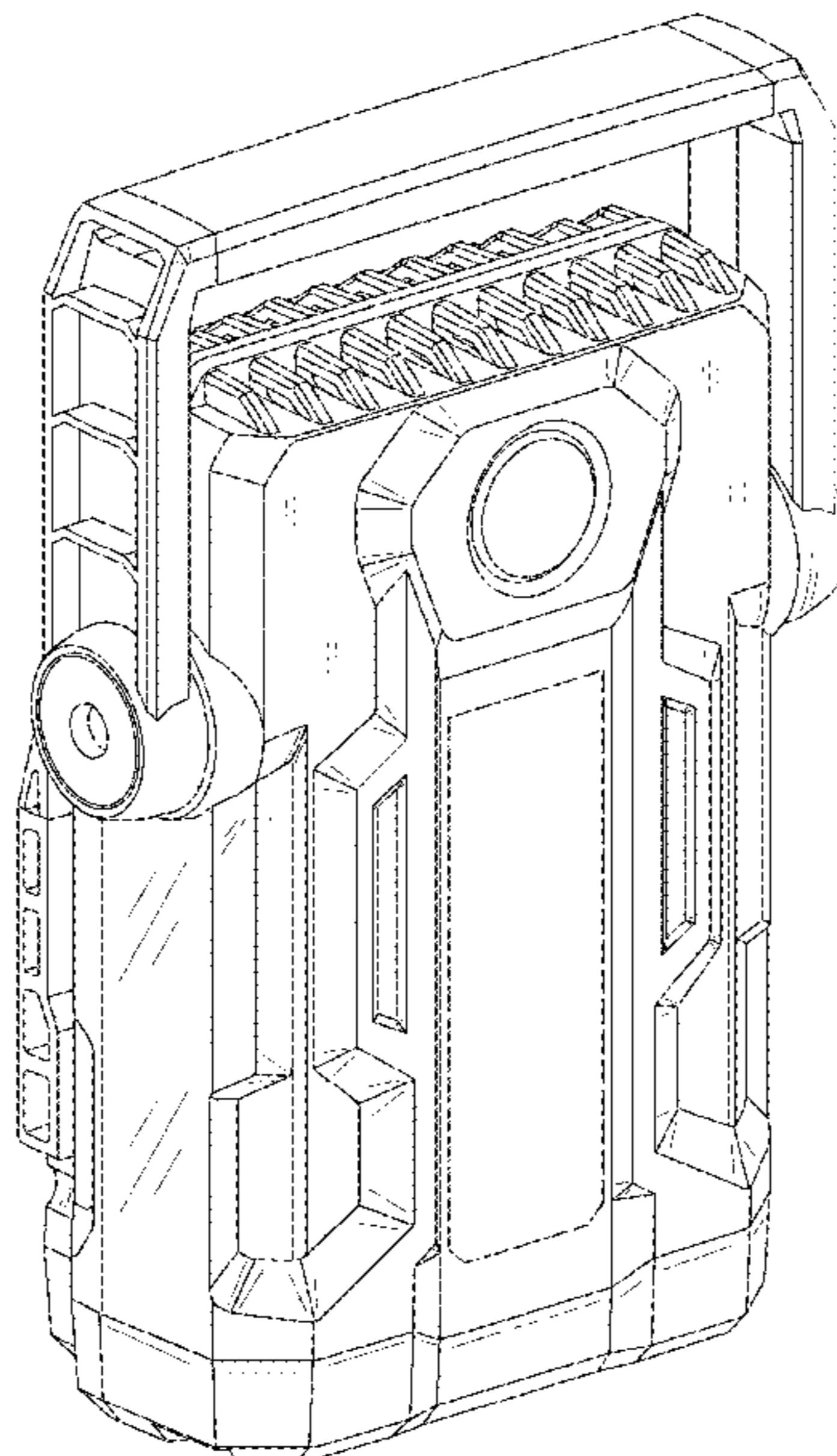
FIG. 5 is a top plan view thereof;

FIG. 6 is a bottom plan view thereof; and,

FIG. 7 is a perspective view thereof.

The broken lines in the drawings illustrate portions of the power adapter that form no part of the claimed design.

1 Claim, 7 Drawing Sheets



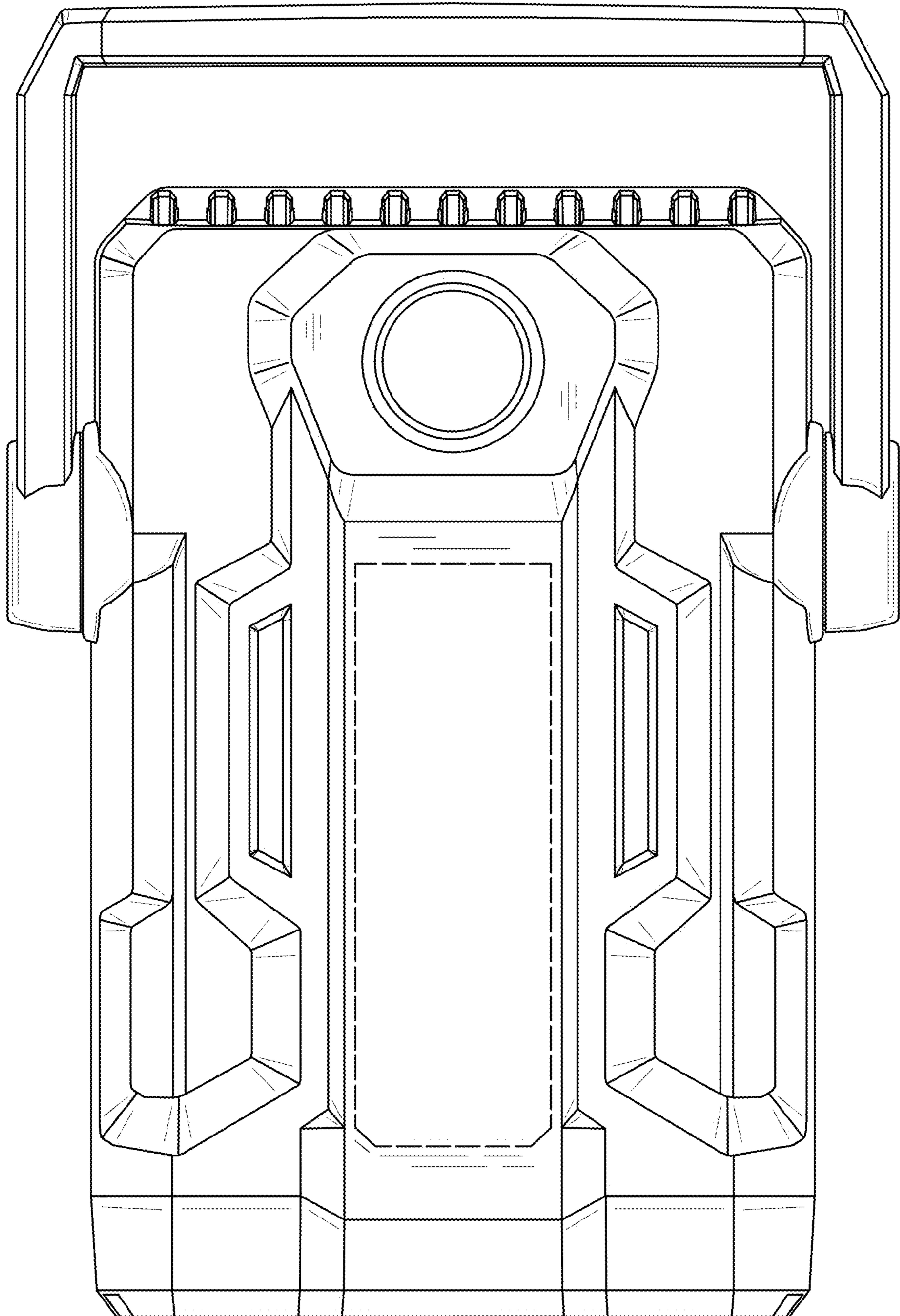


Fig. 1

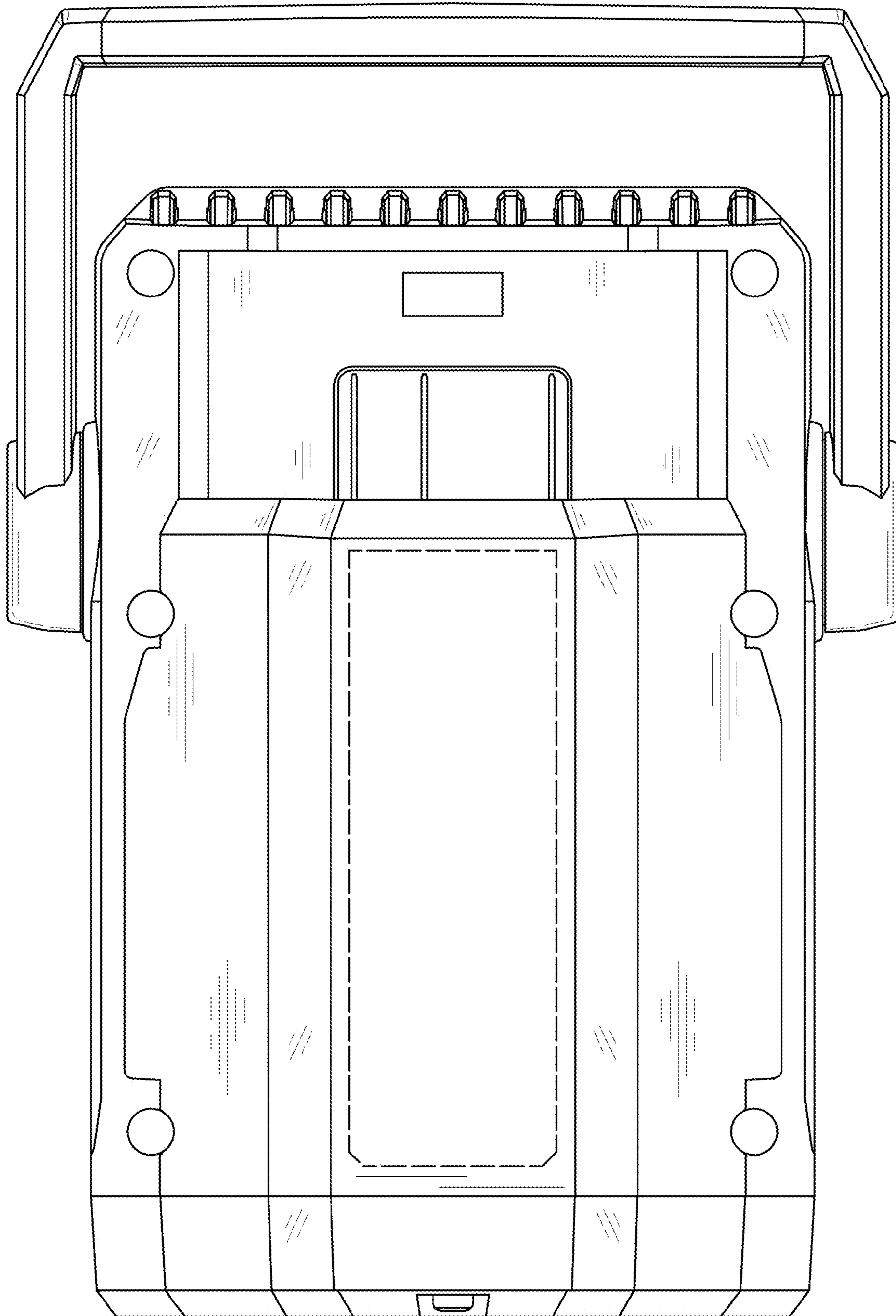


Fig. 2

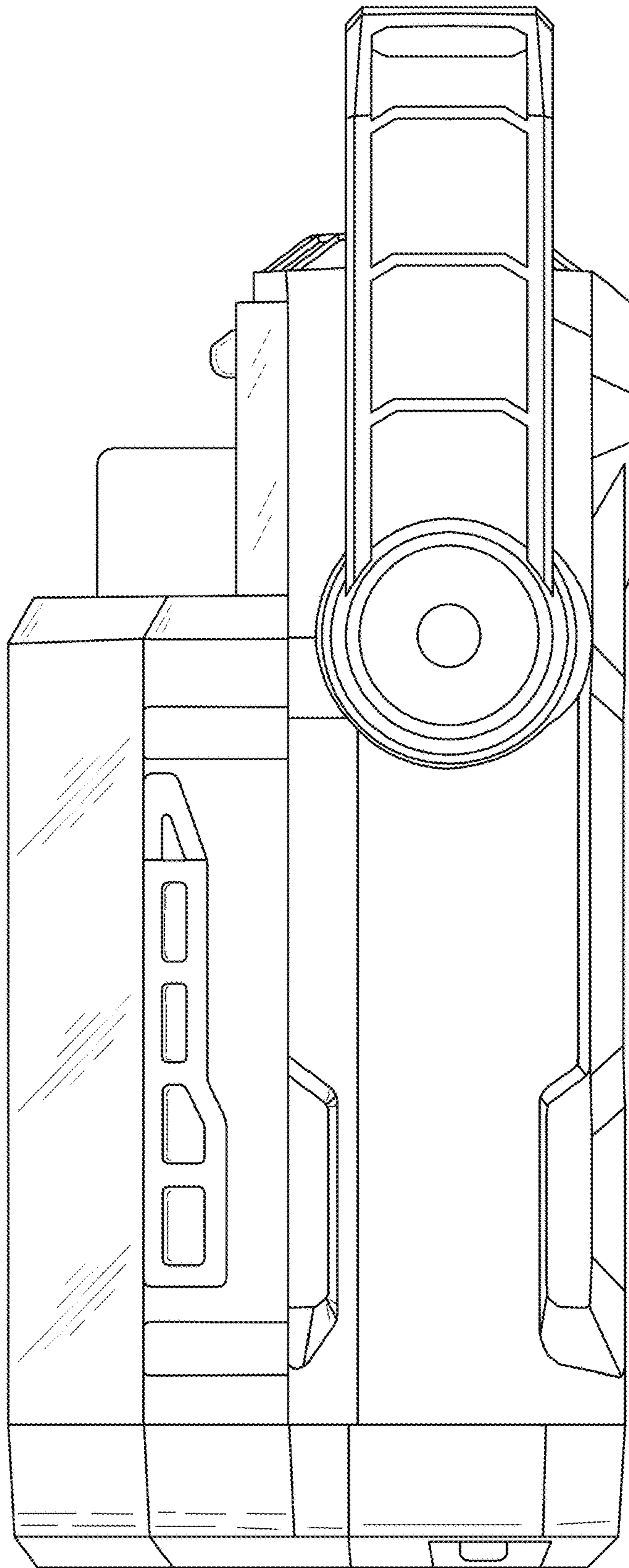


Fig. 3

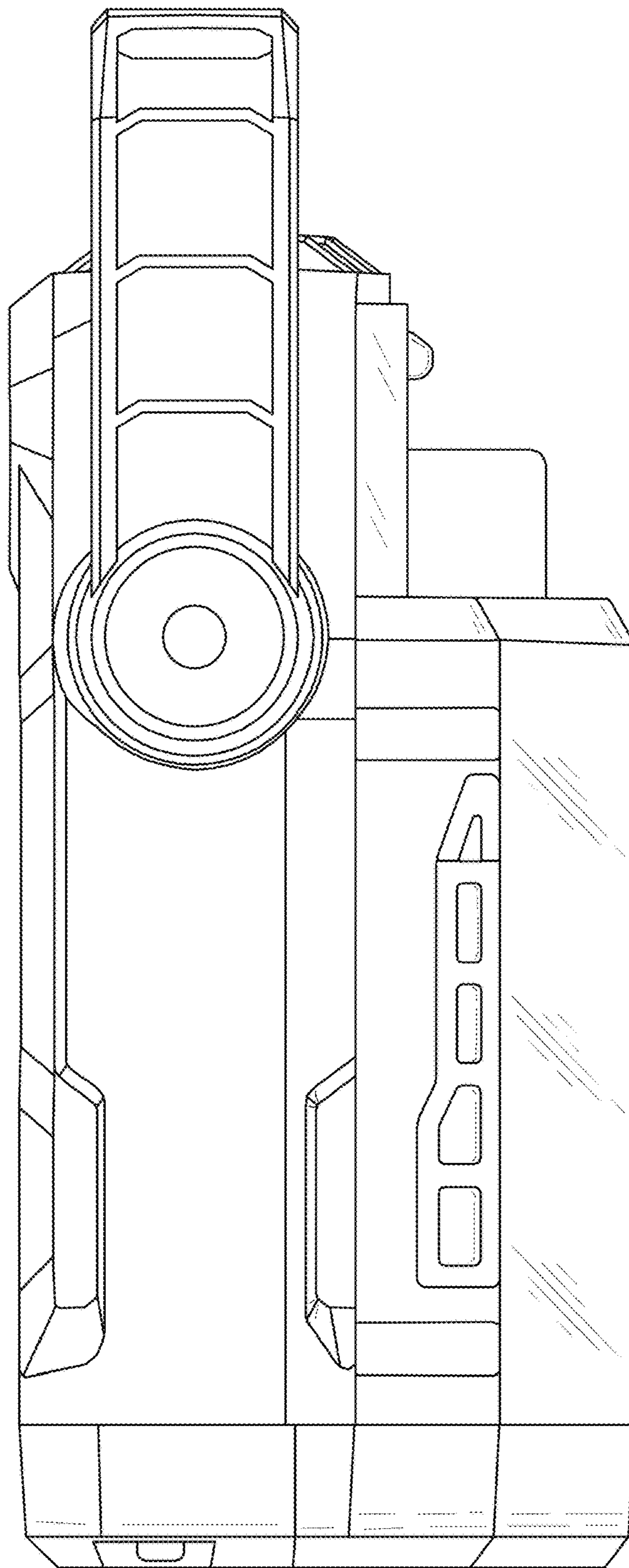


Fig. 4

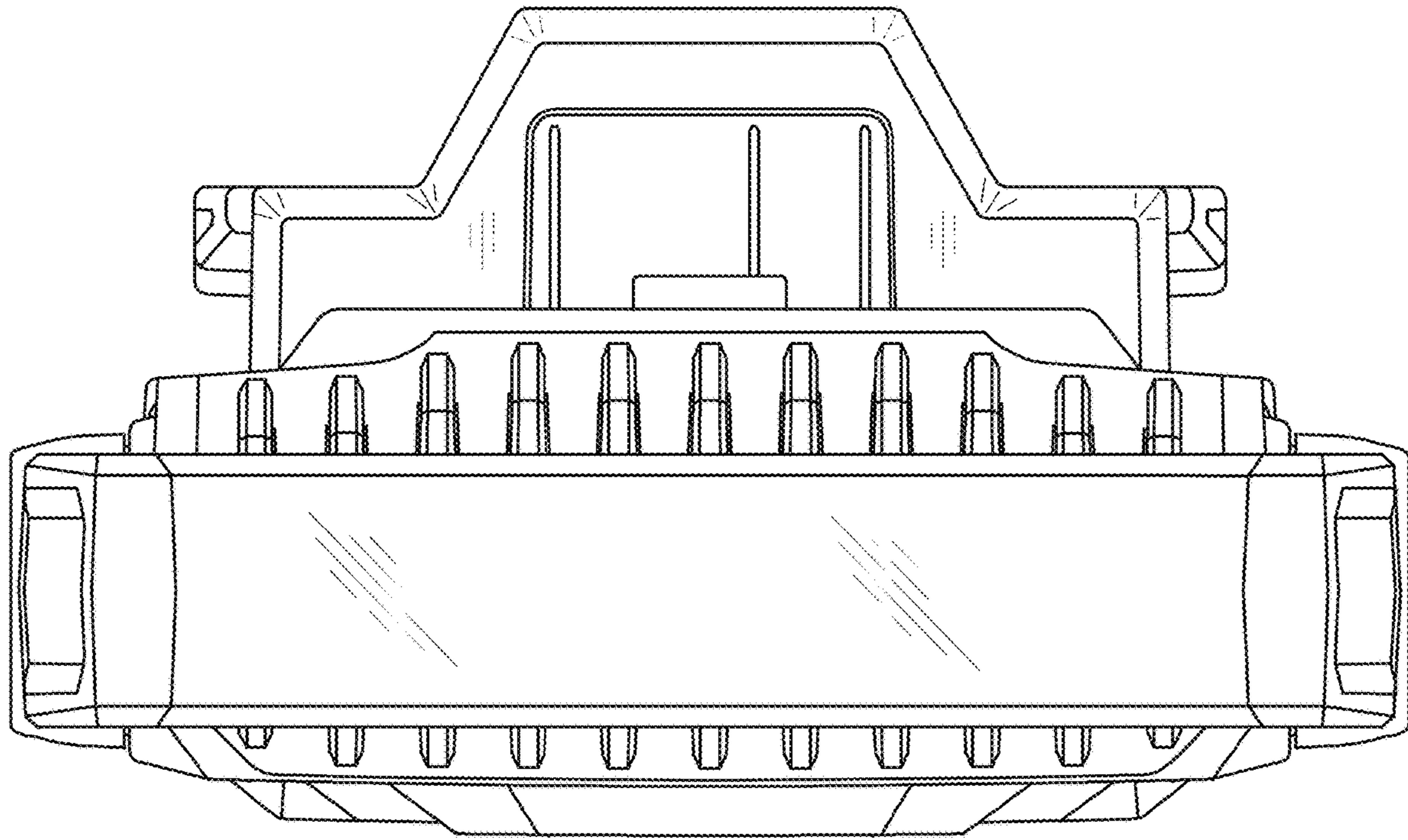


Fig. 5

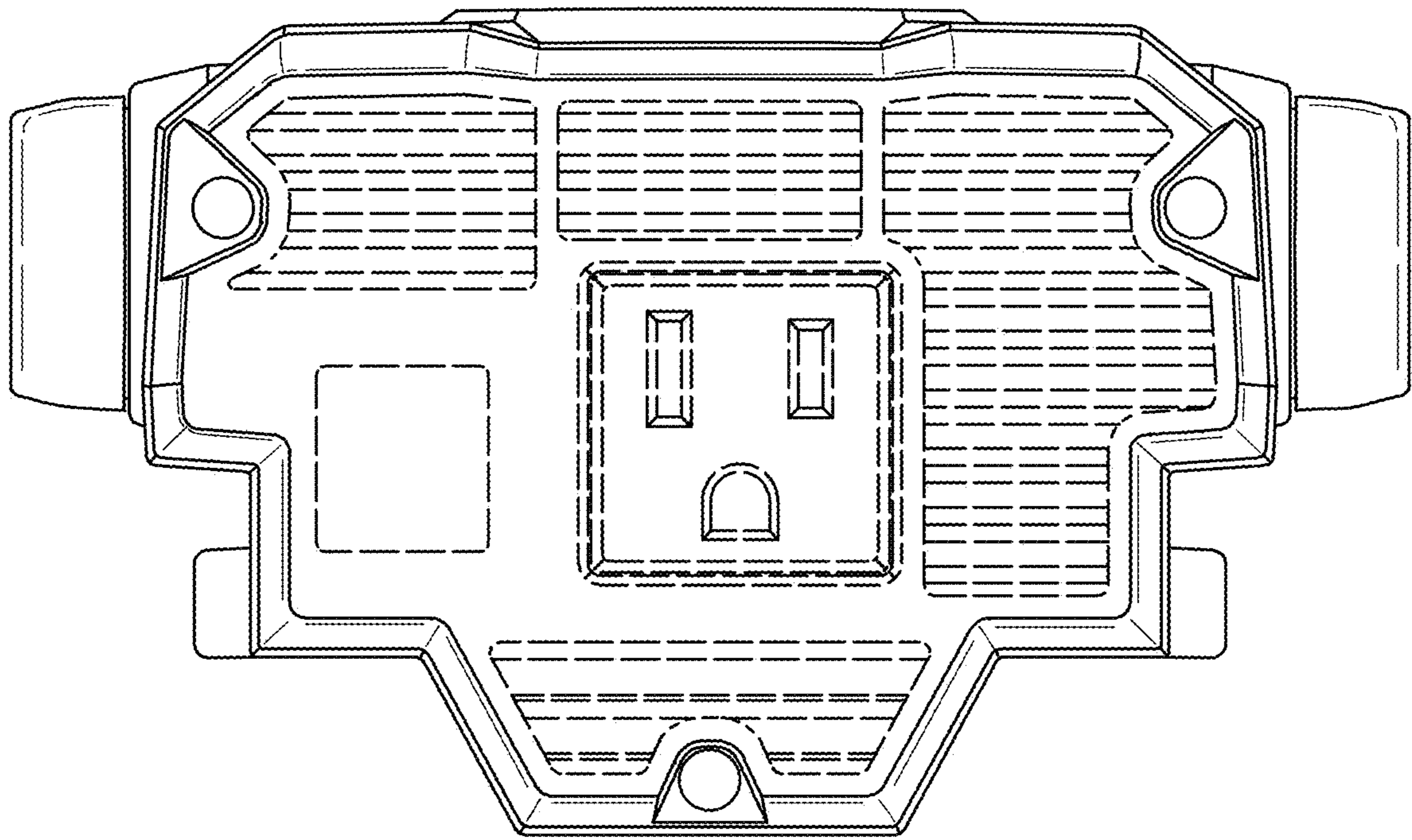


Fig. 6

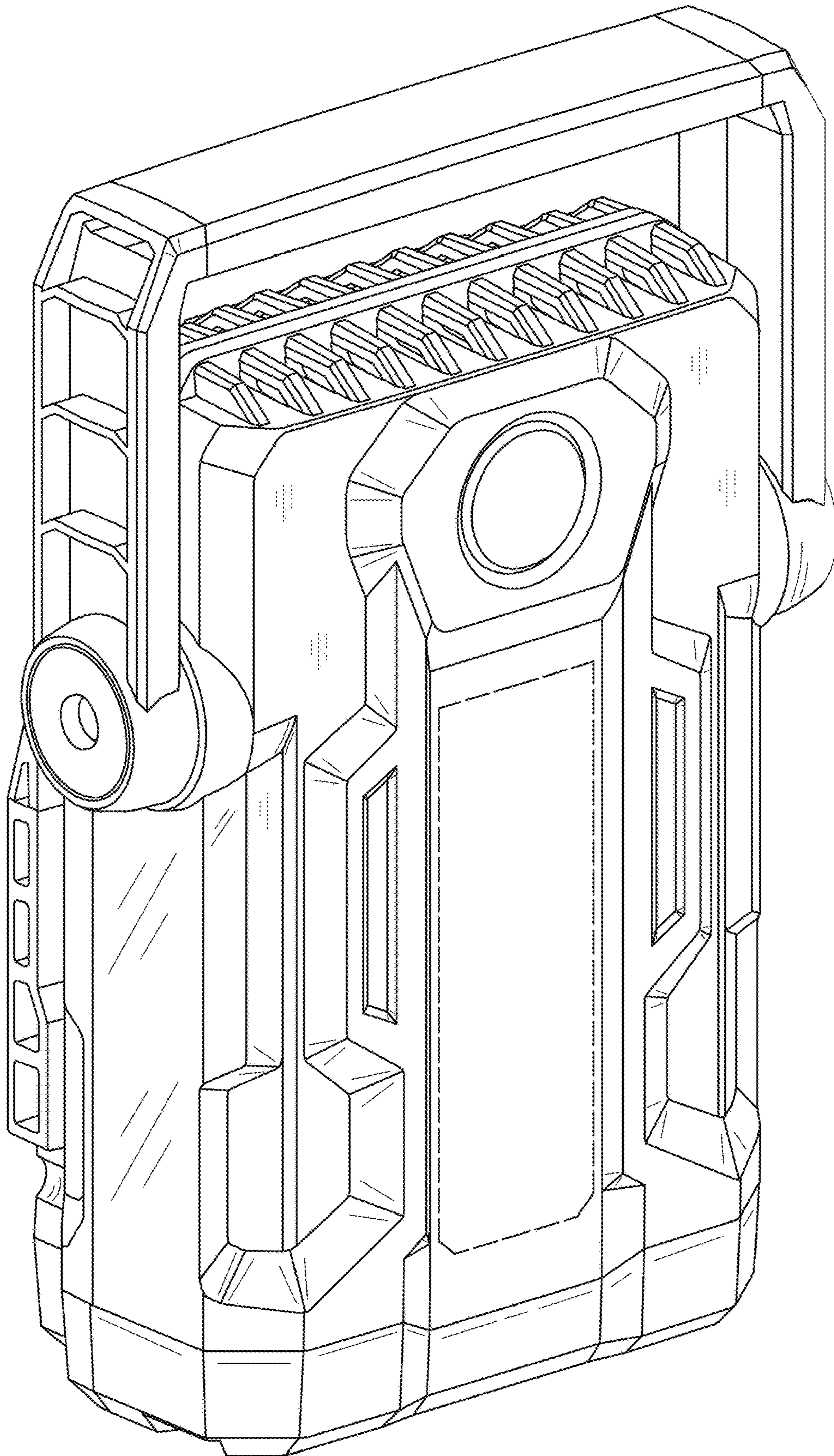


Fig. 7