



US00D899361S

(12) **United States Design Patent**
Lv et al.

(10) **Patent No.:** **US D899,361 S**

(45) **Date of Patent:** **** Oct. 20, 2020**

(54) **WIRELESS CHARGER AND POWER STRIP**

(71) Applicant: **ZHUHAI TI-CORE ENGINE TECHNOLOGY CO., LTD**, Zhuhai (CN)

(72) Inventors: **Shaopeng Lv**, Shantou (CN); **Guiming Wang**, Liaoyuan (CN)

(73) Assignee: **ZHUHAI TI-CORE ENGINE TECHNOLOGY CO., LTD**, Zhuhai (CN)

(**) Term: **15 Years**

(21) Appl. No.: **29/737,647**

(22) Filed: **Jun. 10, 2020**

(51) **LOC (12) Cl.** **13-02**

(52) **U.S. Cl.**
USPC **D13/108**; D13/139.1

(58) **Field of Classification Search**
USPC D13/103, 107-108, 110, 184, 199, 139.1, D13/139.6-139.8; D14/251, 253, 432, D14/434

CPC H02J 7/0044; H02J 7/0045; H02J 7/0042; H02J 7/342; H02J 7/345; H02J 7/025; H02J 7/026; H02J 7/0007; H02J 7/0027; H02J 7/0003; H02J 50/00; H02J 50/10; H02J 50/12; H02J 50/80; H02J 50/40

See application file for complete search history.

(56) **References Cited**

U.S. PATENT DOCUMENTS

D421,741 S * 3/2000 Lien D13/139.8
D546,766 S * 7/2007 Tropp D13/139.6

D729,163 S * 5/2015 Meyer D13/123
D823,243 S * 7/2018 Toscani D13/107
D826,163 S 8/2018 Xu
D852,138 S 6/2019 Wen
D871,344 S * 12/2019 Lyu D13/139.8
D872,011 S * 1/2020 Rao D13/107
D872,021 S * 1/2020 Xu D13/110
D872,690 S * 1/2020 Williams D13/108
D885,345 S * 5/2020 Chen D13/139.8
D886,734 S * 6/2020 Andersson D13/108
D888,665 S * 6/2020 Xiong D13/110

* cited by examiner

Primary Examiner — Rosemary K Tarcza

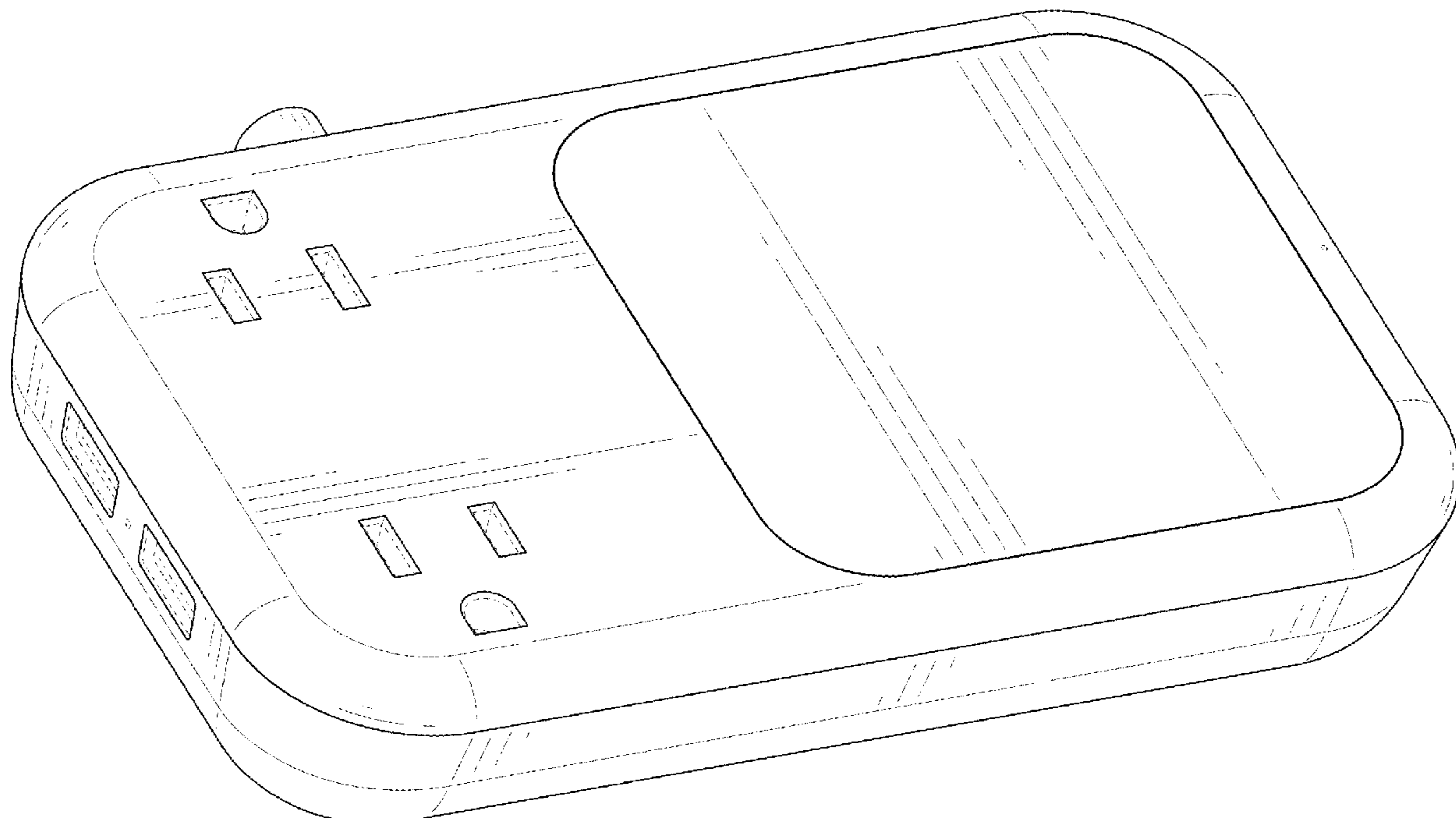
(57) **CLAIM**

The ornamental design for a wireless charger and power strip, as shown and described.

DESCRIPTION

FIG. 1 is a perspective view of a wireless charger and power strip showing our new design;
FIG. 2 is another perspective view thereof;
FIG. 3 is a front elevational view thereof;
FIG. 4 is a rear elevational view thereof;
FIG. 5 is a left side elevational view thereof;
FIG. 6 is a right side elevational view thereof;
FIG. 7 is a top plan view thereof; and,
FIG. 8 is a bottom plan view thereof.
The broken lines in the drawings depict portions of the wireless charger and power strip that form no part of the claimed design.

1 Claim, 8 Drawing Sheets



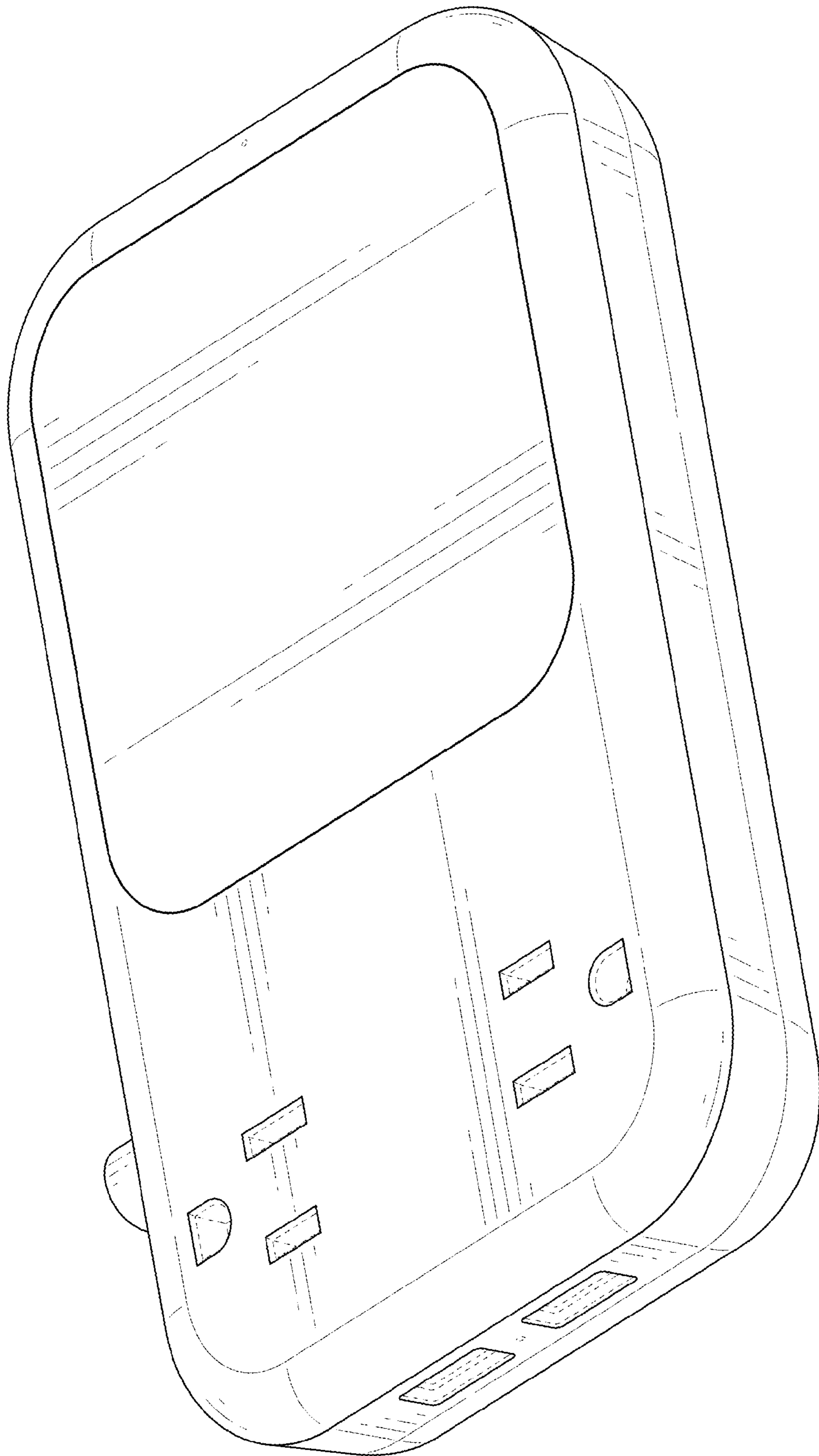


FIG. 1

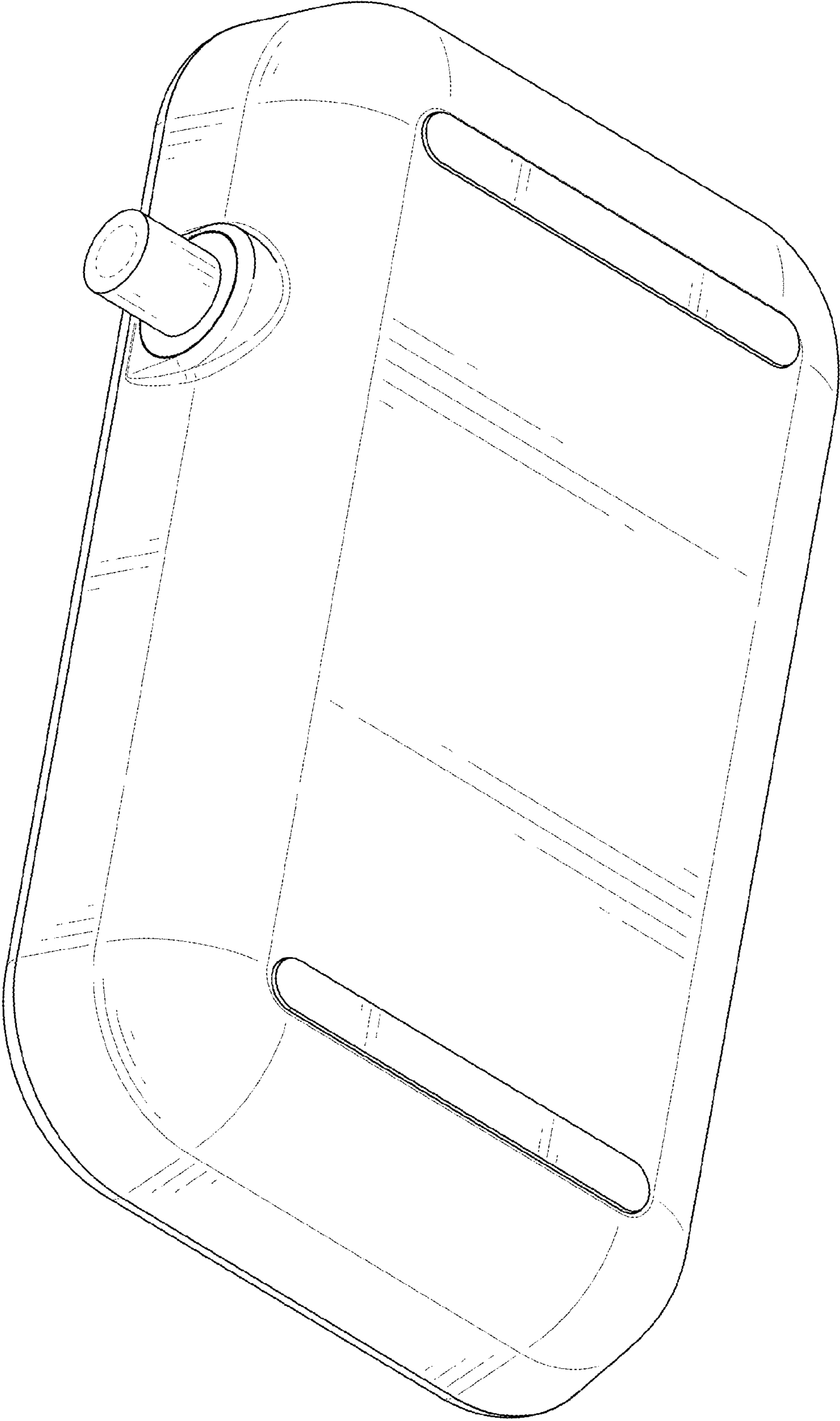


FIG. 2

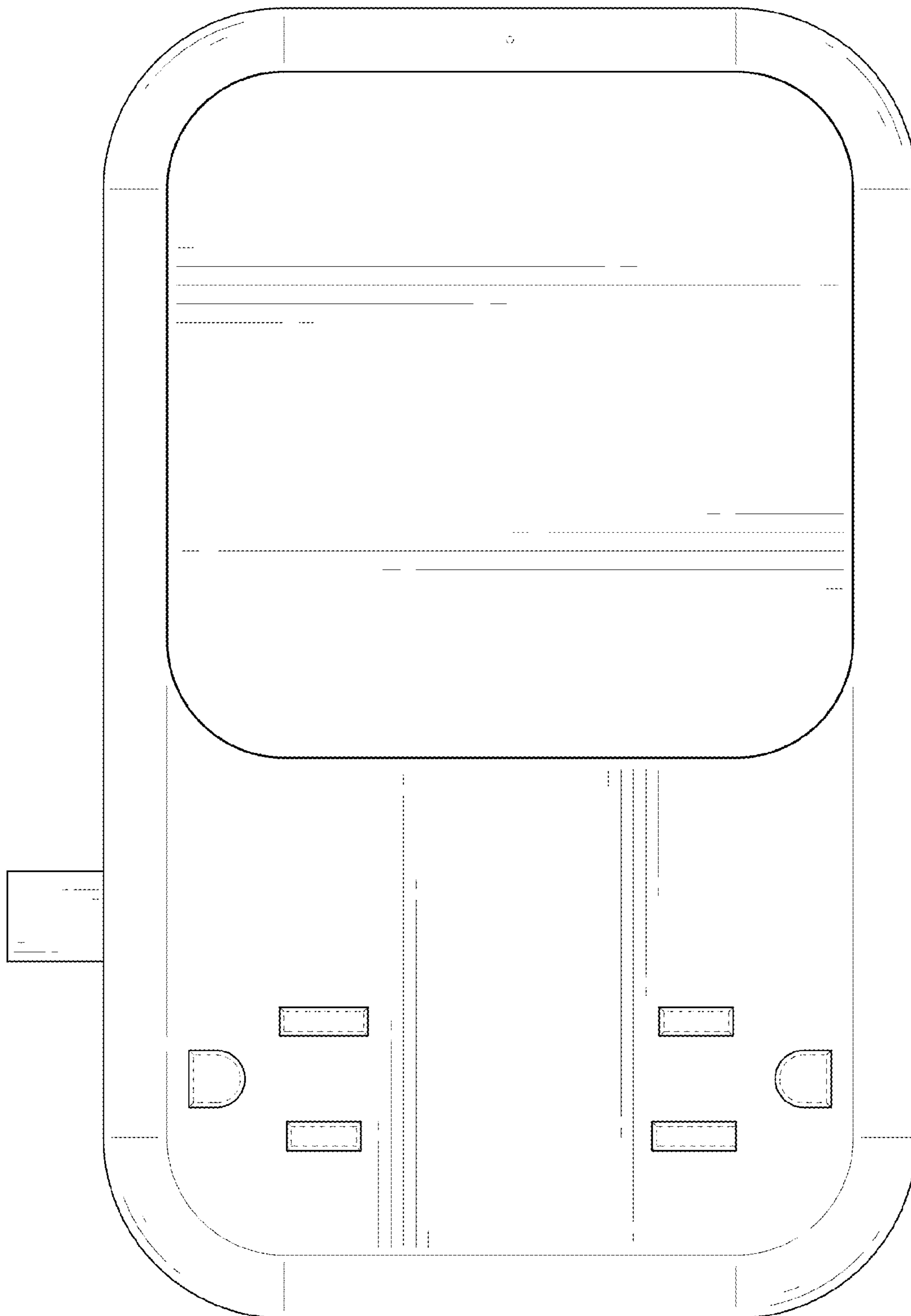


FIG. 3

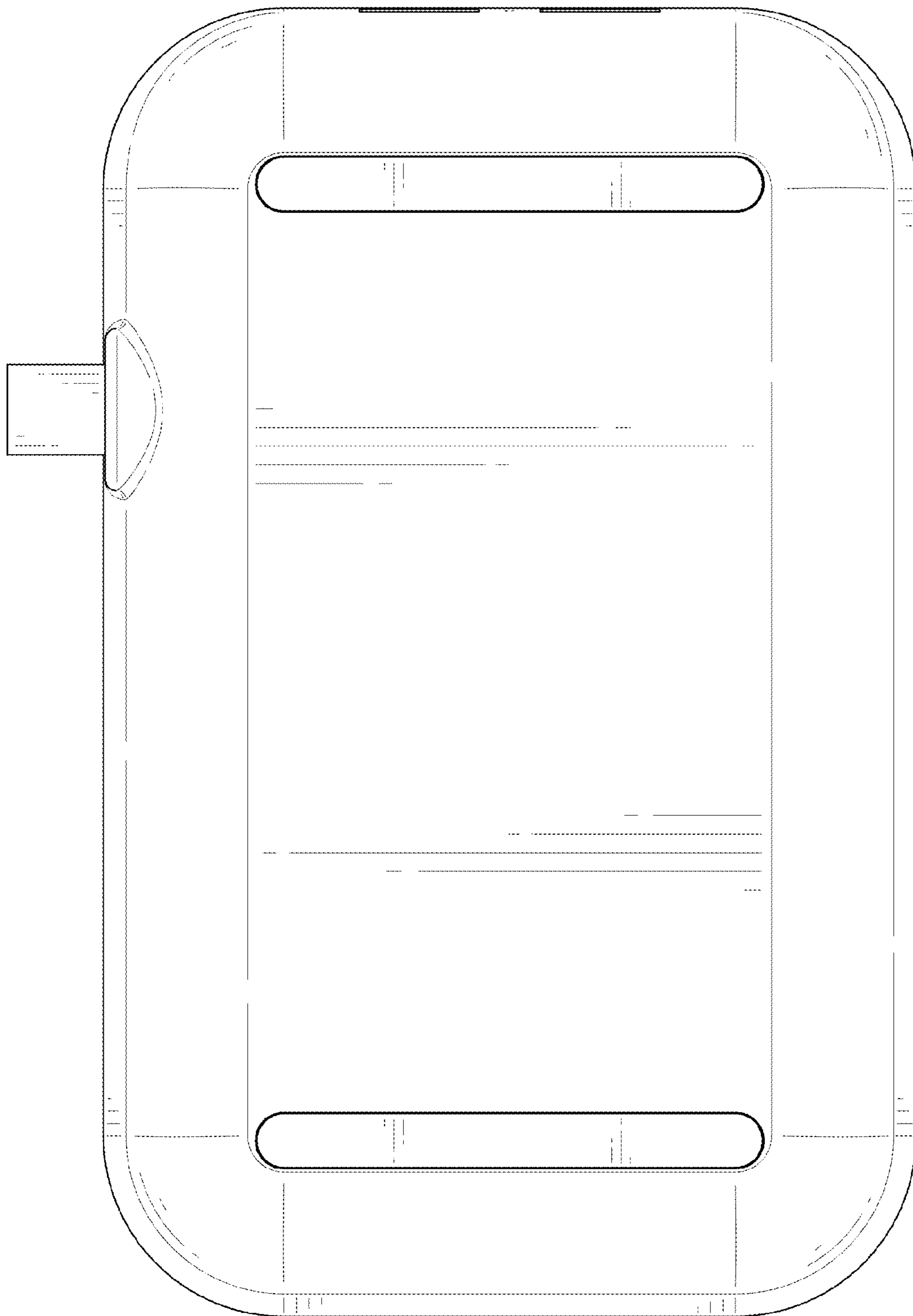


FIG. 4

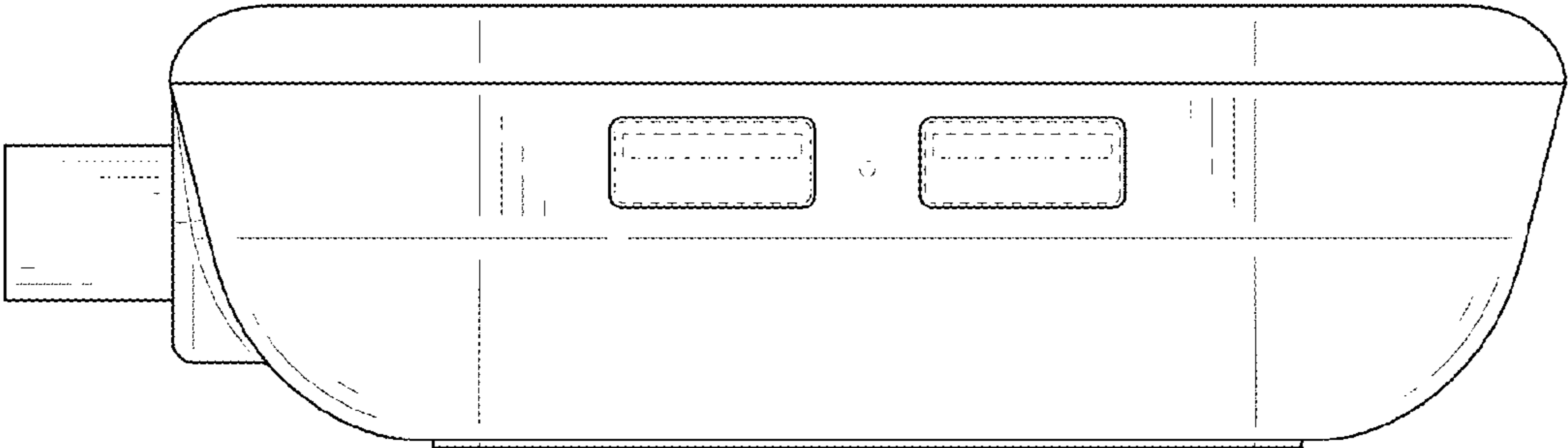


FIG. 5

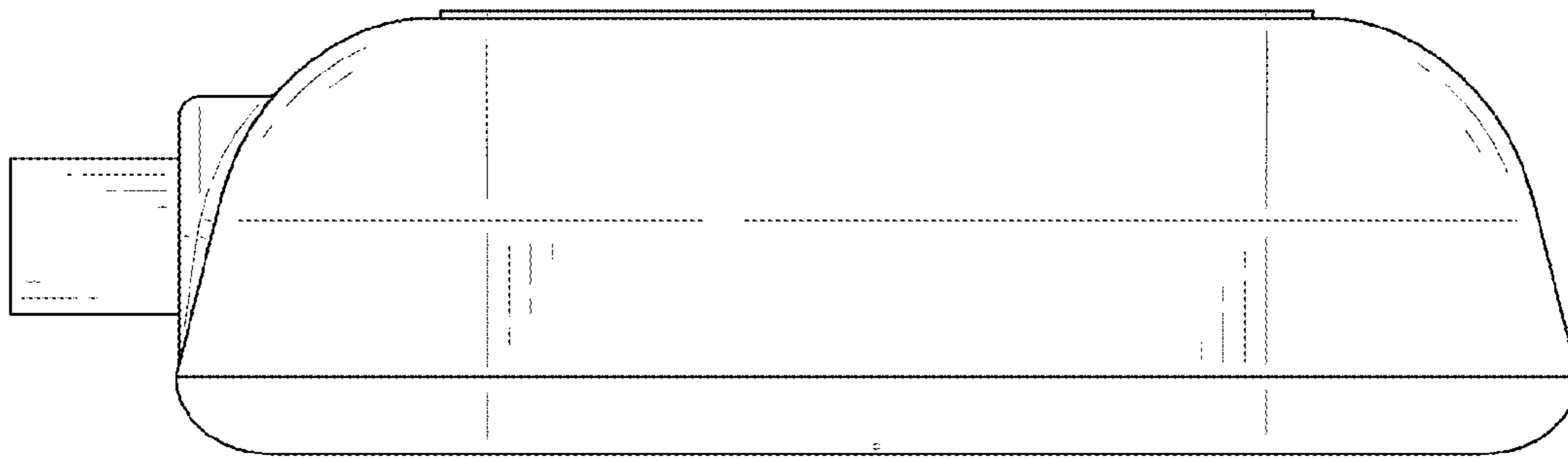


FIG. 6

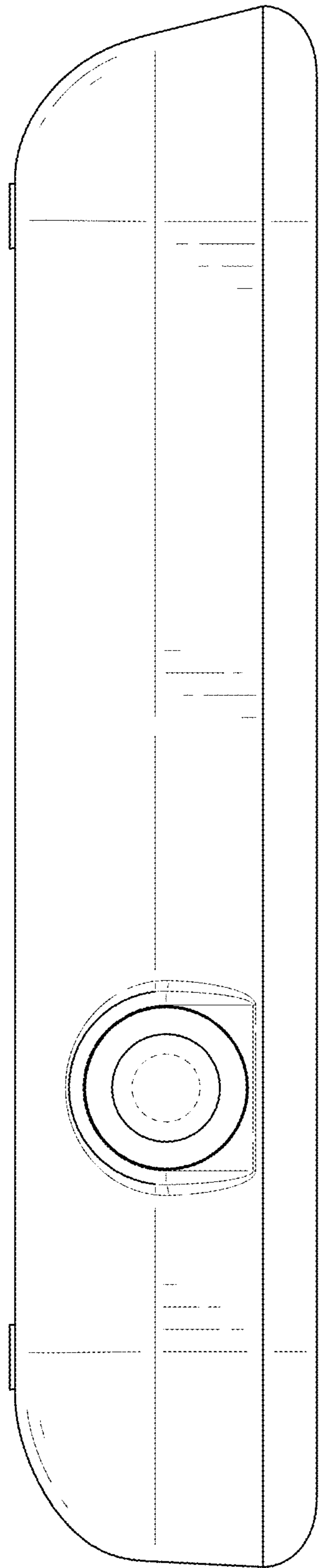


FIG. 7

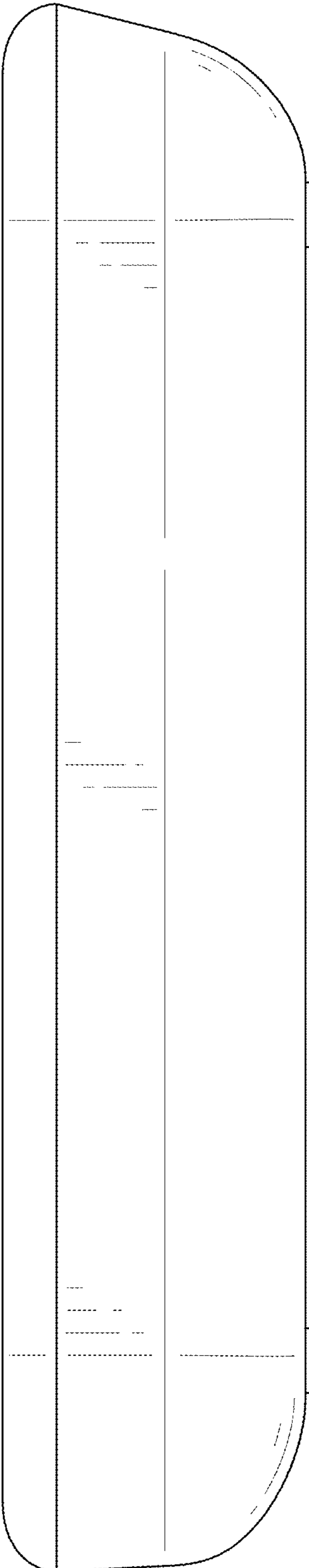


FIG. 8