



US00D899359S

(12) **United States Design Patent**  
**Zhang et al.**

(10) **Patent No.:** **US D899,359 S**

(45) **Date of Patent:** **\*\* Oct. 20, 2020**

(54) **WIRELESS CHARGING SUPPORT**

(71) Applicants: **Qingsen Zhang**, Guangdong (CN);  
**Junling Chen**, Guangdong (CN);  
**Jianqiang Liang**, Guangdong (CN)

(72) Inventors: **Qingsen Zhang**, Guangdong (CN);  
**Junling Chen**, Guangdong (CN);  
**Jianqiang Liang**, Guangdong (CN)

(73) Assignee: **UGREEN GROUP LIMITED**,  
Shenzhen, Guangdong (CN)

(\*\*) Term: **15 Years**

(21) Appl. No.: **29/687,308**

(22) Filed: **Apr. 12, 2019**

(51) **LOC (12) Cl.** ..... **13-02**

(52) **U.S. Cl.**  
USPC ..... **D13/108**

(58) **Field of Classification Search**  
USPC ..... D13/103, 107-108, 110, 184, 199;  
D14/251, 253, 432, 434

CPC ..... H02J 7/0044; H02J 7/0045; H02J 7/0042;  
H02J 7/342; H02J 7/345; H02J 7/025;  
H02J 7/026; H02J 7/0007; H02J 7/0027;  
H02J 7/0003; H02J 50/00; H02J 50/10;  
H02J 50/12; H02J 50/80; H02J 50/40;  
H02J 50/402; H02J 50/50

See application file for complete search history.

(56) **References Cited**

**U.S. PATENT DOCUMENTS**

|            |   |         |              |       |         |
|------------|---|---------|--------------|-------|---------|
| D654,431 S | * | 2/2012  | Stephanchick | ..... | D13/108 |
| D656,096 S | * | 3/2012  | Sasada       | ..... | D13/108 |
| D673,110 S | * | 12/2012 | Sasada       | ..... | D13/108 |
| D694,228 S | * | 11/2013 | Richter      | ..... | D14/253 |
| D725,034 S | * | 3/2015  | Chen         | ..... | D13/108 |
| D735,131 S | * | 7/2015  | Akana        | ..... | D13/108 |

|            |   |         |          |       |         |
|------------|---|---------|----------|-------|---------|
| D737,761 S | * | 9/2015  | Zhuang   | ..... | D13/108 |
| D738,303 S | * | 9/2015  | Symons   | ..... | D13/108 |
| D740,750 S | * | 10/2015 | Mayden   | ..... | D13/108 |
| D742,823 S | * | 11/2015 | Nitz     | ..... | D13/103 |
| D746,772 S | * | 1/2016  | Aumiller | ..... | D13/108 |
| D747,267 S | * | 1/2016  | Aumiller | ..... | D13/108 |
| D757,014 S | * | 5/2016  | Hahn     | ..... | D13/108 |
| D768,635 S | * | 10/2016 | Due      | ..... | D14/432 |
| D774,455 S | * | 12/2016 | Kim      | ..... | D13/108 |
| D777,103 S | * | 1/2017  | Park     | ..... | D13/108 |
| D782,973 S | * | 4/2017  | Zhou     | ..... | D13/108 |
| D791,071 S | * | 7/2017  | Tsui     | ..... | D13/107 |
| D794,556 S | * | 8/2017  | Liao     | ..... | D13/107 |
| D795,183 S | * | 8/2017  | Akana    | ..... | D13/108 |
| D798,807 S | * | 10/2017 | Shi      | ..... | D13/108 |
| D800,059 S | * | 10/2017 | Tsui     | ..... | D13/107 |
| D817,268 S | * | 5/2018  | Symons   | ..... | D13/108 |
| D825,549 S | * | 8/2018  | Lebovitz | ..... | D14/253 |
| D841,578 S | * | 2/2019  | Kim      | ..... | D13/108 |

\* cited by examiner

*Primary Examiner* — Rosemary K Tarcza

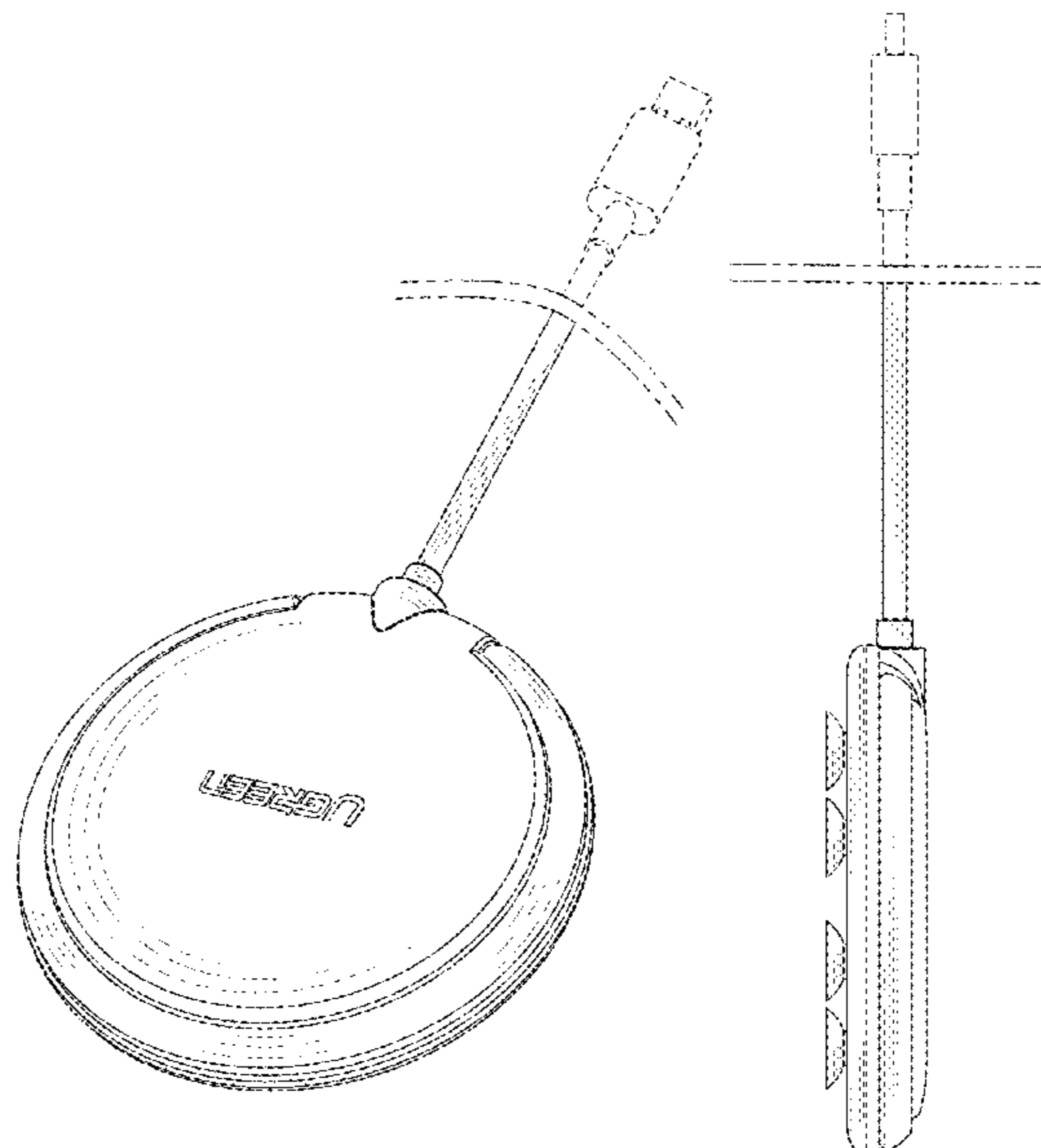
(57) **CLAIM**

The ornamental design for a wireless charging support, as shown and described.

**DESCRIPTION**

FIG. 1 is a perspective view of a wireless charging support showing my new design;  
 FIG. 2 is a front elevational view thereof;  
 FIG. 3 is a rear elevational view thereof;  
 FIG. 4 is a left side elevational view thereof;  
 FIG. 5 is a right side elevational view thereof;  
 FIG. 6 is a top plan view thereof;  
 FIG. 7 is a bottom plan view thereof;  
 FIG. 8 is a perspective view thereof; and,  
 FIG. 9 is a perspective view thereof, shown with the ring in an open position.  
 The broken lines shown depict environment that forms no part of the claimed design.

**1 Claim, 9 Drawing Sheets**



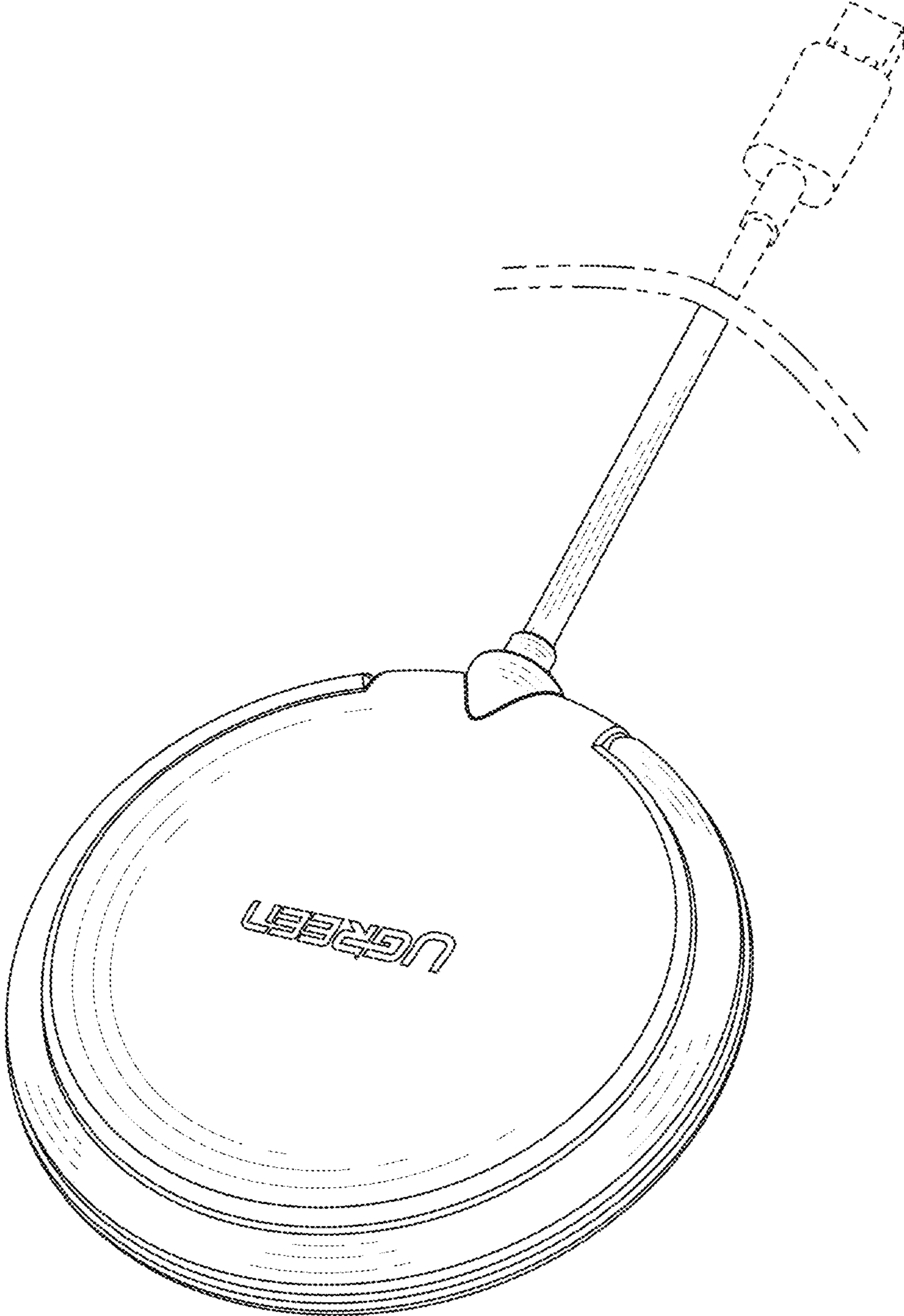


FIG. 1

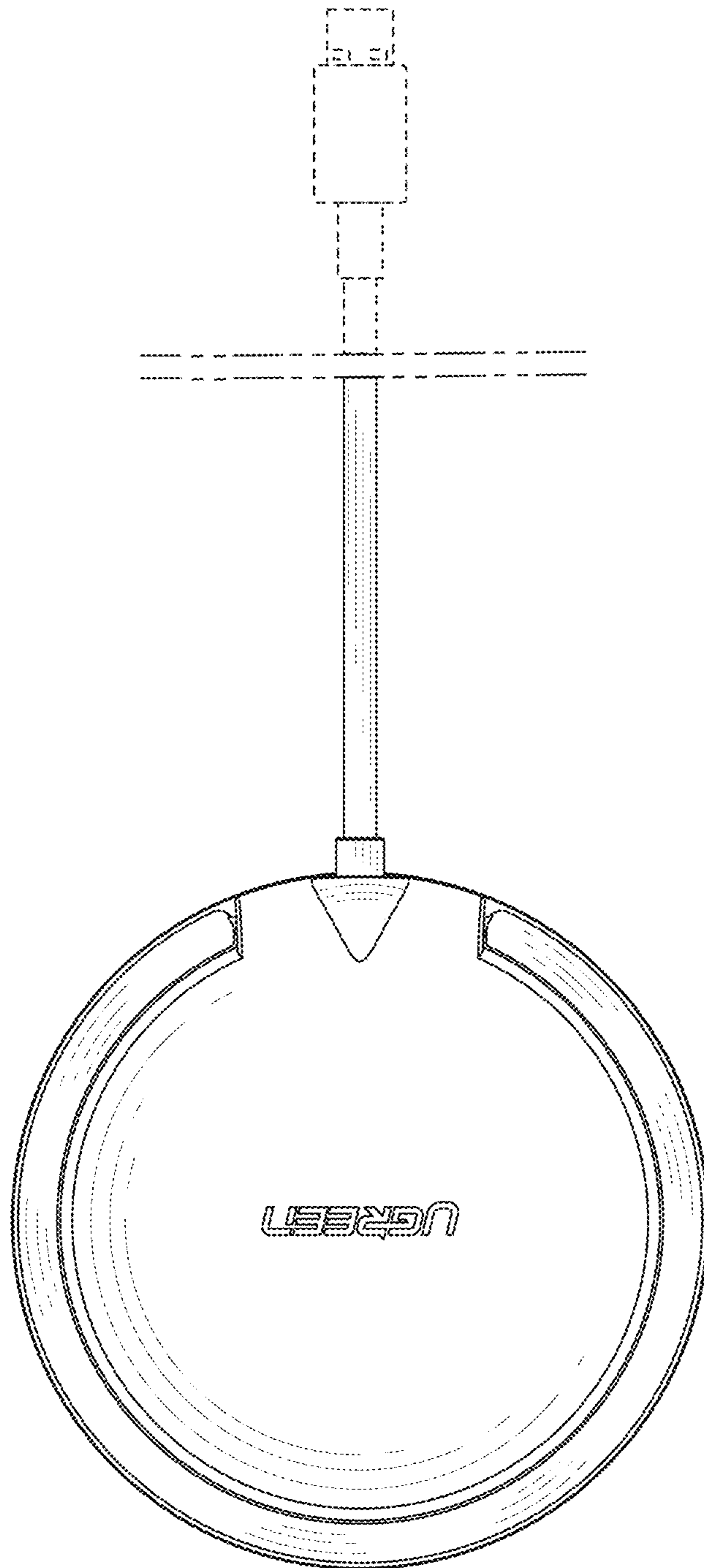


FIG. 2

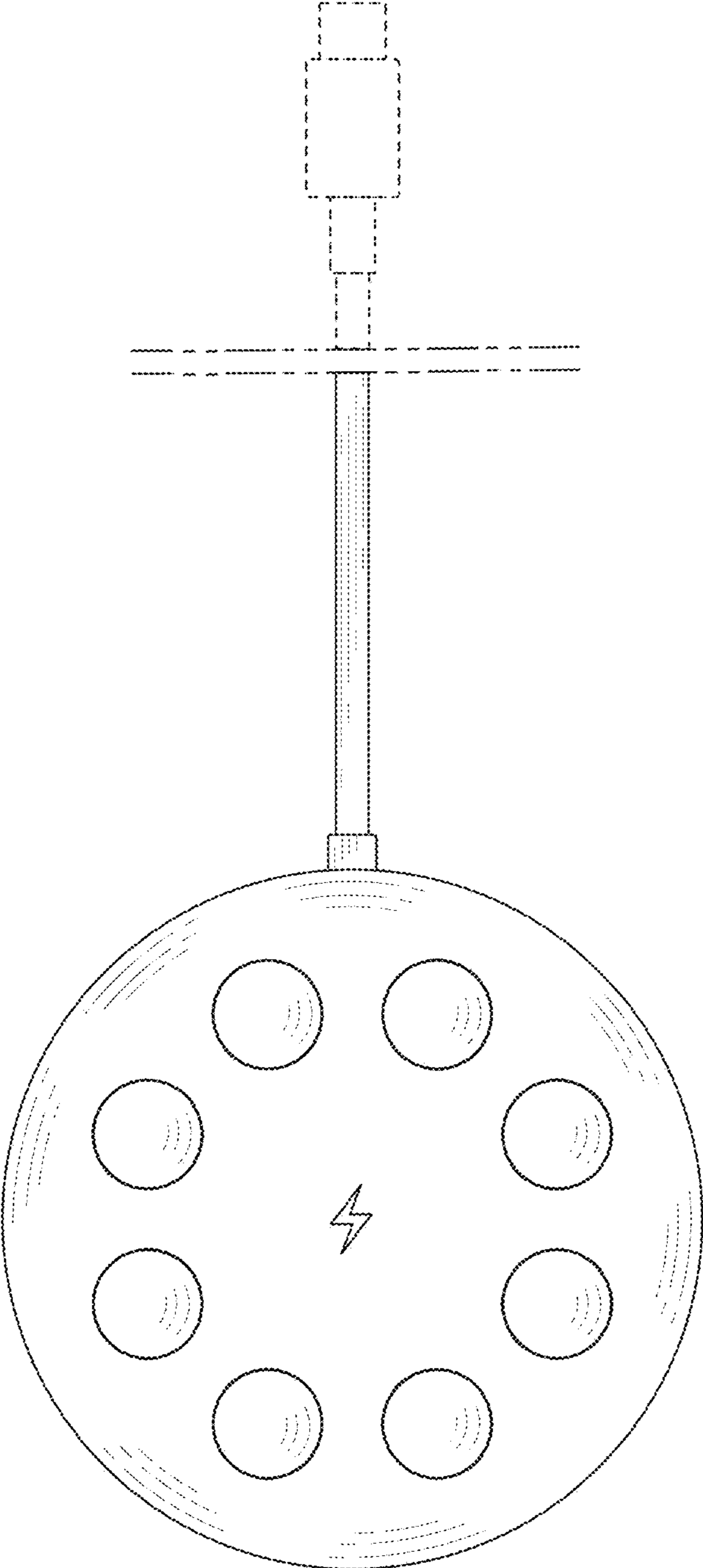


FIG. 3

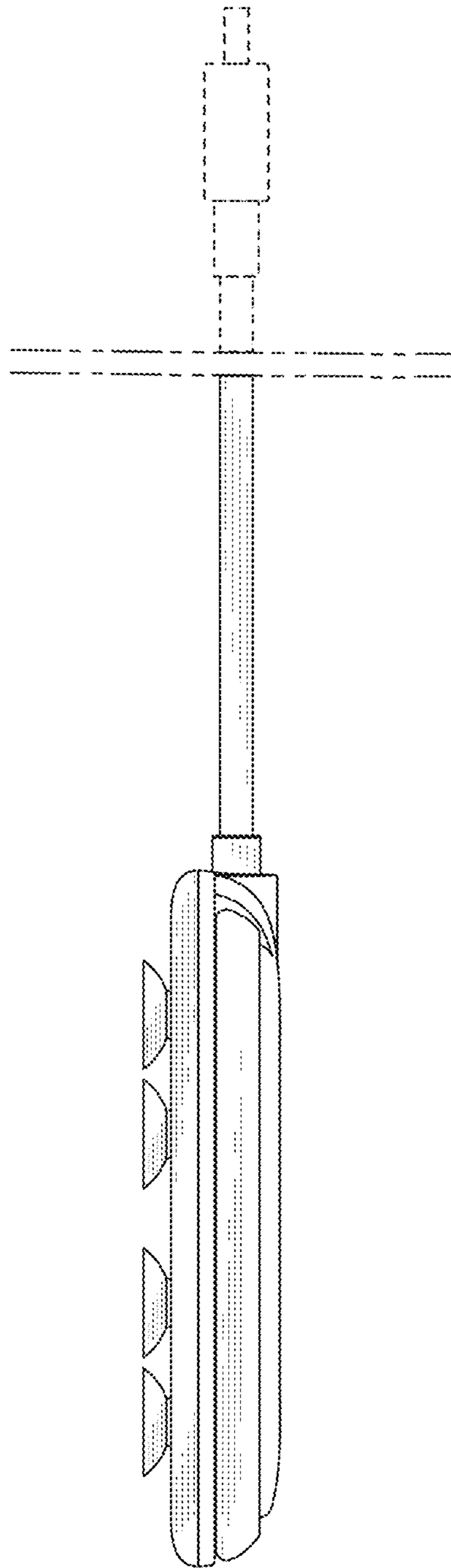


FIG. 4

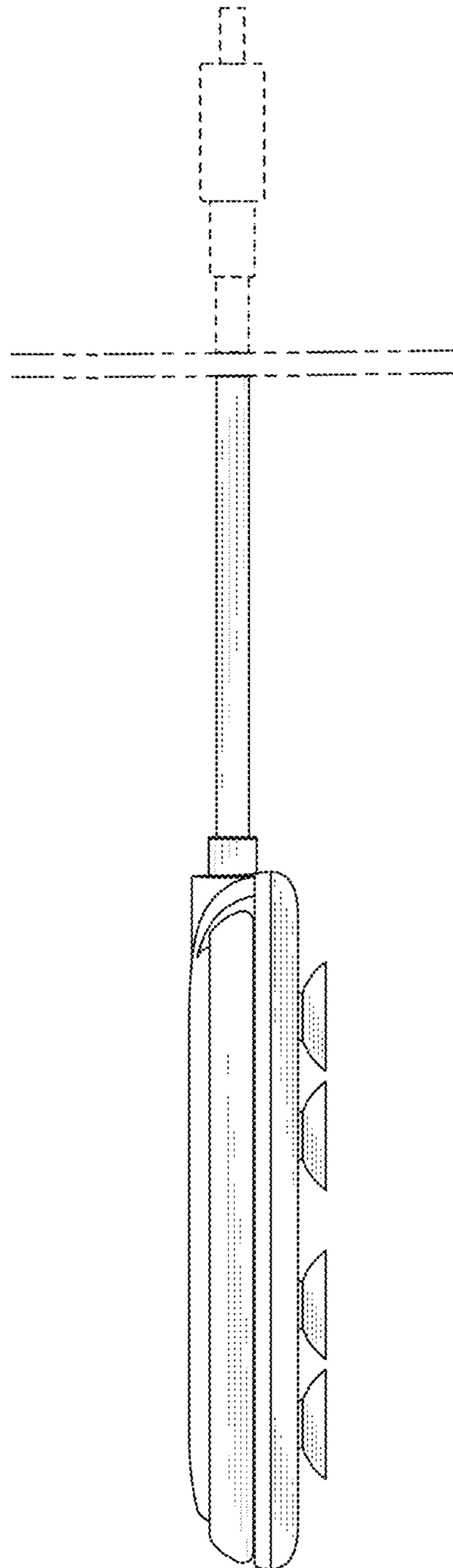


FIG. 5

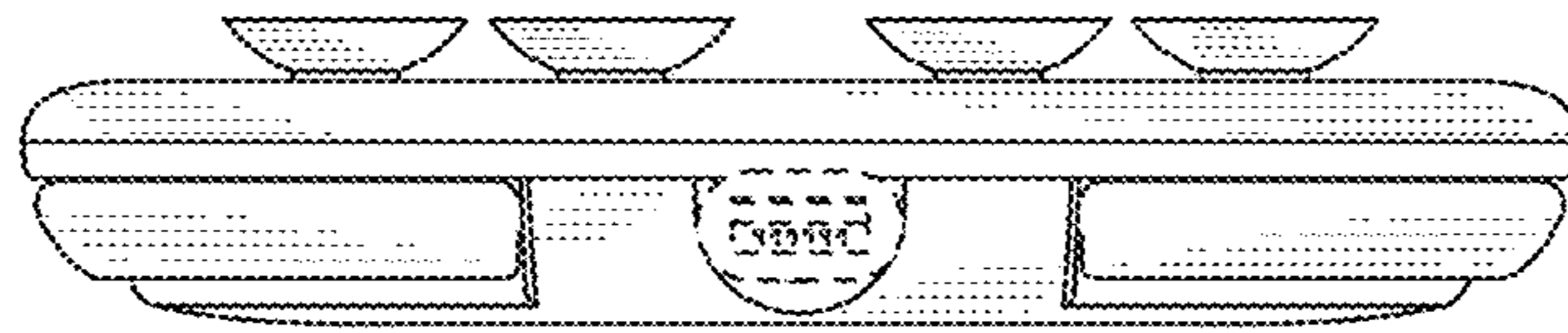


FIG. 6

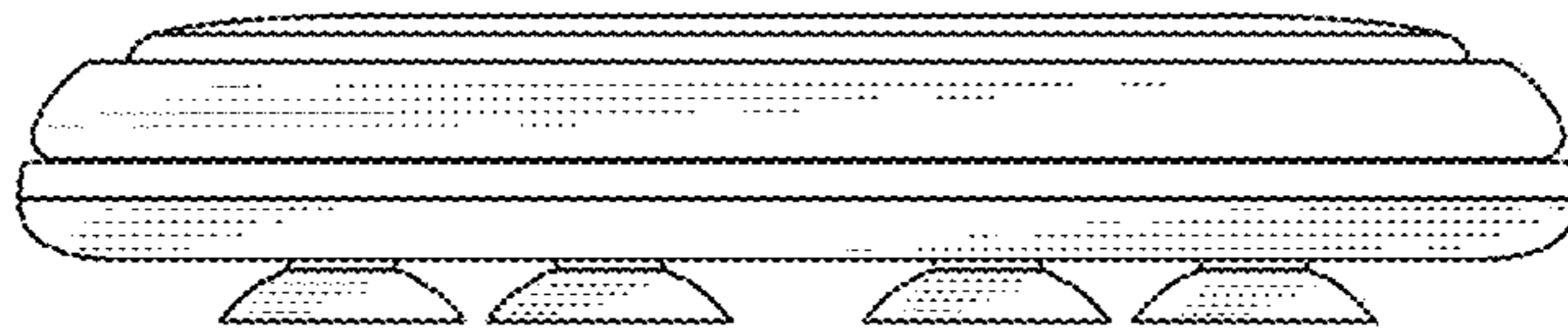


FIG. 7



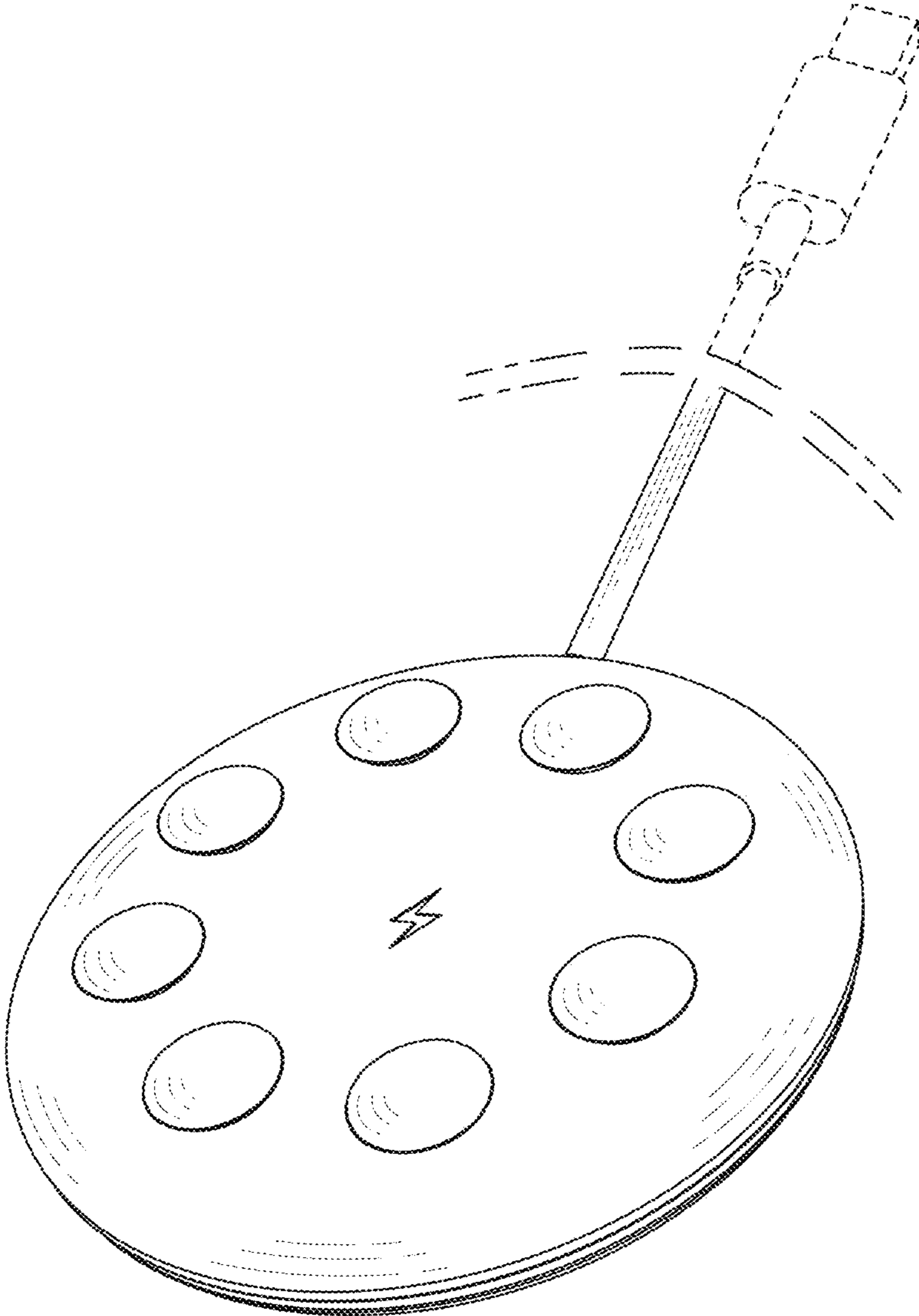


FIG. 8

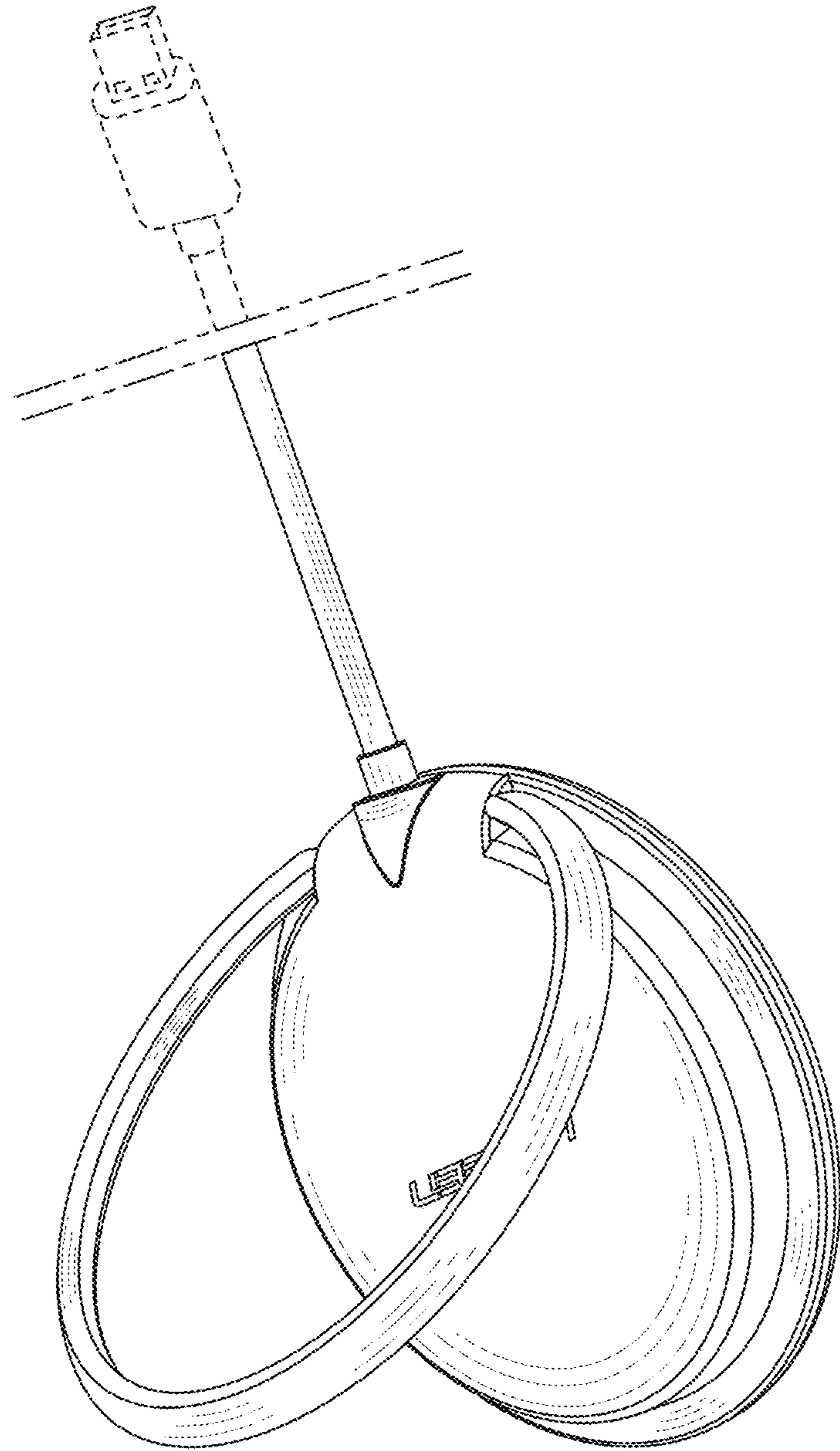


FIG. 9