



US00D899358S

(12) **United States Design Patent**
Reilly et al.

(10) **Patent No.:** **US D899,358 S**

(45) **Date of Patent:** **** Oct. 20, 2020**

(54) **ACCESSORY DEVICE CHARGER**

H01R 13/6675; H01R 25/00; H01R 25/006; H01H 2207/00; H01H 2207/022

See application file for complete search history.

(71) Applicant: **Staples Brands, Inc.**, Framingham, MA (US)

(56) **References Cited**

(72) Inventors: **Daniel Reilly**, Watertown, MA (US); **Logan Steinfeld**, Boston, MA (US); **Tae Han Ko**, Worcester, MA (US); **Jordan Nollman**, Cambridge, MA (US); **Benjamin Oakland Stooke**, Ottawa (CA); **Richard Orsini**, Roxbury, MA (US); **Matthew Reis Bettencourt**, Ludlow, MA (US)

U.S. PATENT DOCUMENTS

D446,499	S	*	8/2001	Andre	D13/110
D586,739	S	*	2/2009	Zaremba	D13/103
D665,734	S	*	8/2012	Fitch	D13/107
D790,464	S	*	6/2017	He	D13/110
D853,357	S	*	7/2019	Li	D14/217
D867,280	S	*	11/2019	Chen	D13/103
D885,327	S	*	5/2020	Leeds-Frank	D13/103
D885,337	S	*	5/2020	Xu	D13/108
D886,054	S	*	6/2020	Liao	D13/108
2003/0129487	A1	*	7/2003	Inoue	H01M 2/0272 429/176

(73) Assignee: **WORKLIFE BRANDS LLC**, Framingham, MA (US)

* cited by examiner

(**) Term: **15 Years**

Primary Examiner — Rosemary K Tarcza

Assistant Examiner — Christy M Nemeth

(74) *Attorney, Agent, or Firm* — Sheridan Ross, P.C.

(21) Appl. No.: **29/685,320**

(22) Filed: **Mar. 27, 2019**

(51) **LOC (12) Cl.** **13-02**

(52) **U.S. Cl.**
USPC **D13/108**

(57) **CLAIM**

The ornamental design for an accessory device charger, as shown and described.

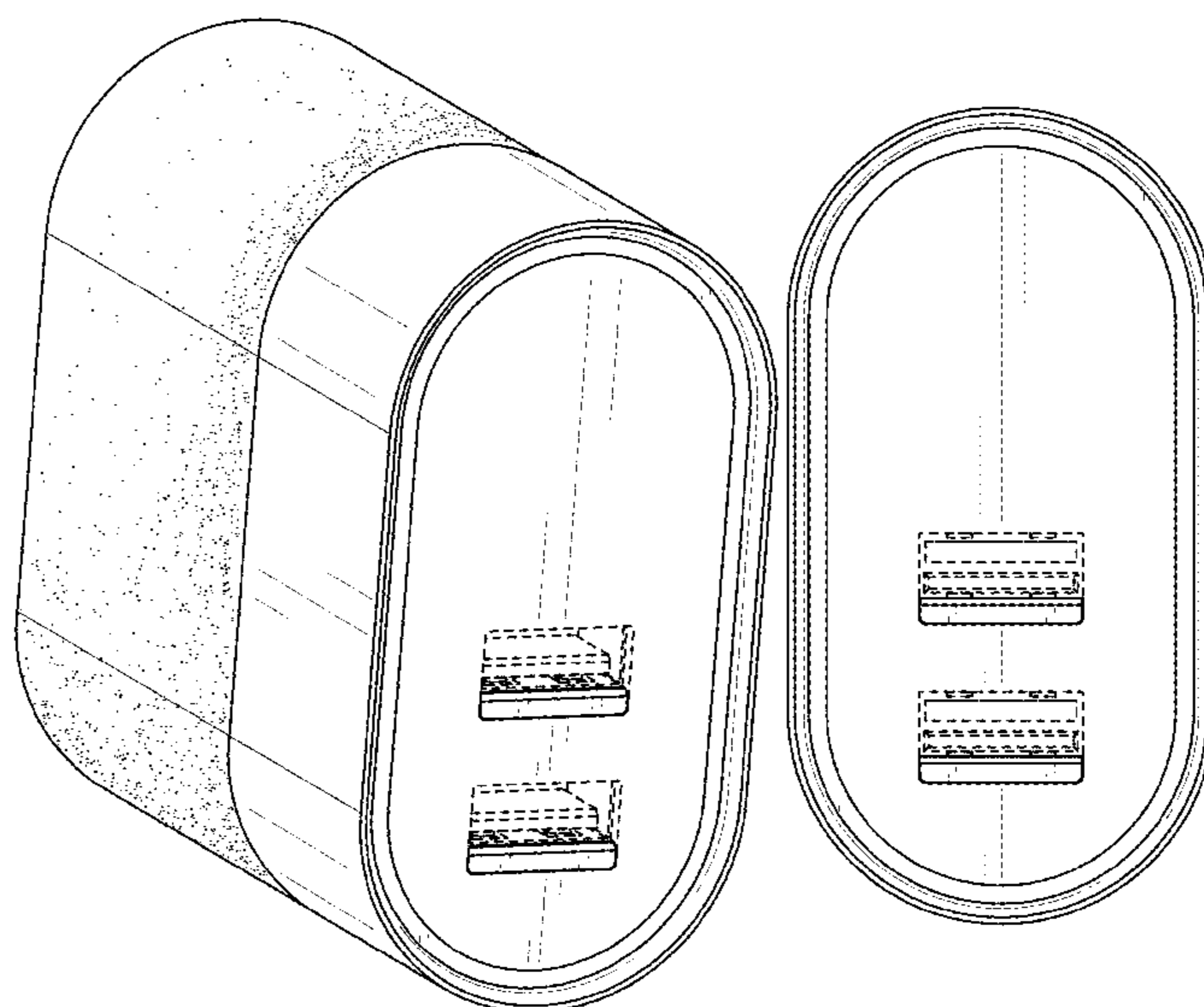
(58) **Field of Classification Search**

USPC D13/103, 107, 108, 110, 137.1–137.4, D13/138.1–138.2, 139.1–139.8, 152, 154, D13/158, 171, 174, 184, 199; D14/250, D14/251, 253, 432, 434
CPC Y02E 60/12; Y02E 60/122; Y02E 60/124; Y02E 60/50; H01M 2/02; H01M 2/022; H01M 2/0202; H01M 2/0207; H01M 2/0212; H01M 2/1061; H01M 2/1022; H01M 2/1055; H01M 2/1066; H01M 2/105; H01M 2/204; H01M 2/202; H01M 2/206; H01M 10/4257; H01M 10/0436; H01M 10/48; H01M 10/44; H01M 10/46; H01M 10/465; H01M 10/482; H01R 11/00; H01R 9/00; H01R 13/00; H01R 13/04; H01R 13/10; H01R 13/6666;

DESCRIPTION

FIG. 1 is a perspective view of an accessory device charger, according to a first embodiment;
FIG. 2 is a front elevation view thereof;
FIG. 3 is a rear elevation view thereof;
FIG. 4 is a left elevation view thereof;
FIG. 5 is a right elevation view thereof;
FIG. 6 is a top plan view thereof;
FIG. 7 is a bottom plan view thereof; and,
FIG. 8 is a perspective view of an accessory device charger, according to a second embodiment.
The broken lines in the drawings illustrate portions of the accessory device charger which form no part of the claimed design.

1 Claim, 8 Drawing Sheets



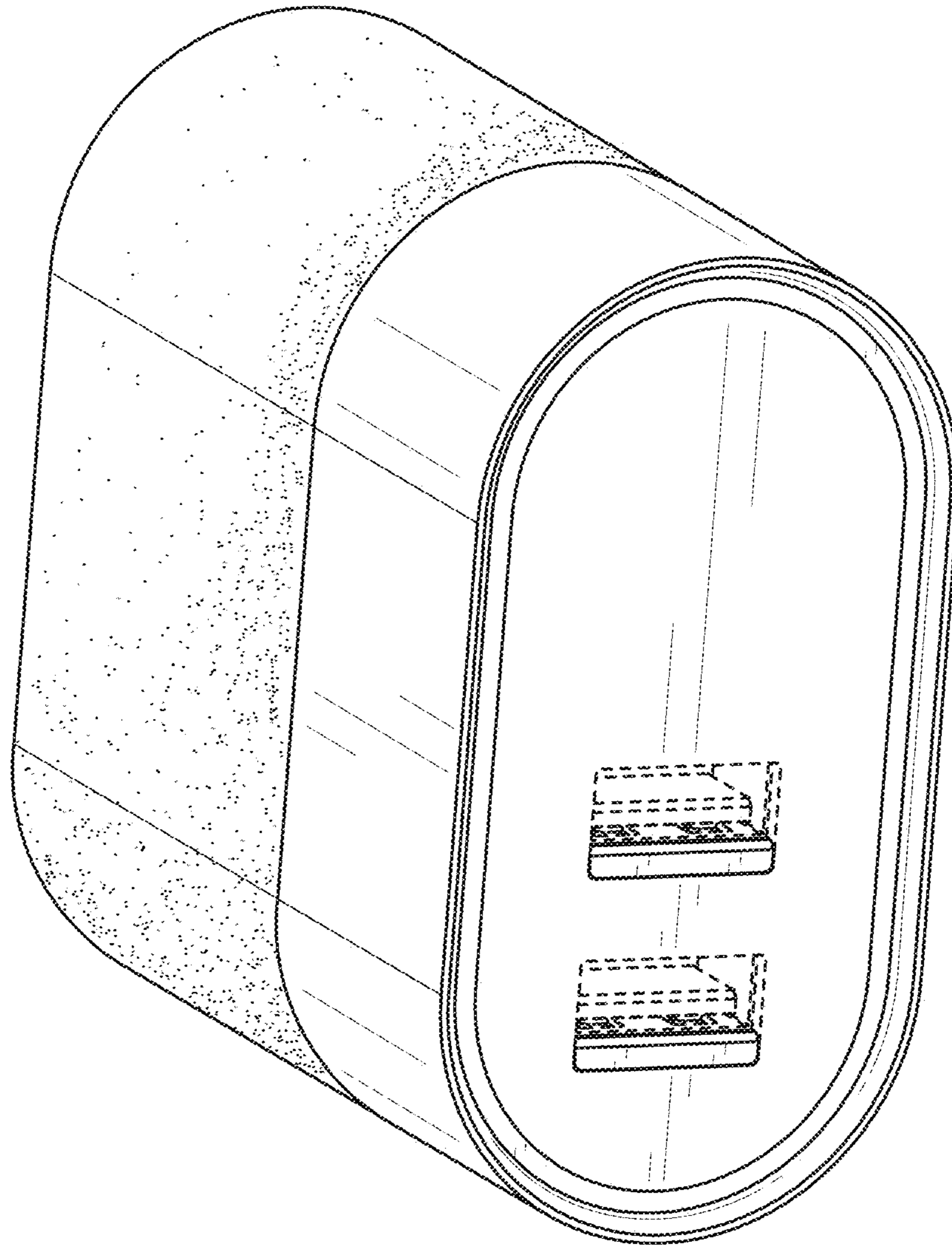


FIG. 1

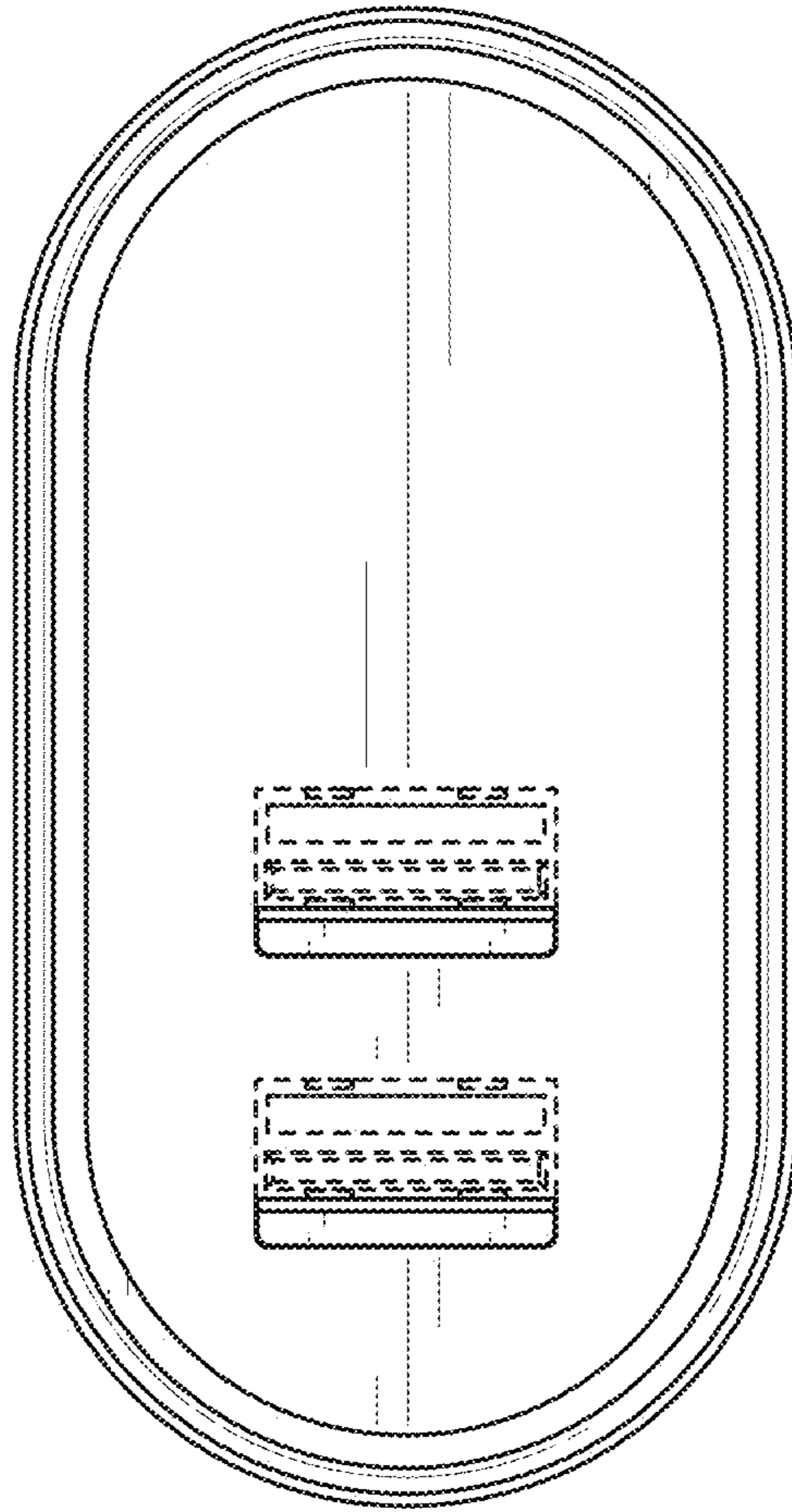


FIG. 2

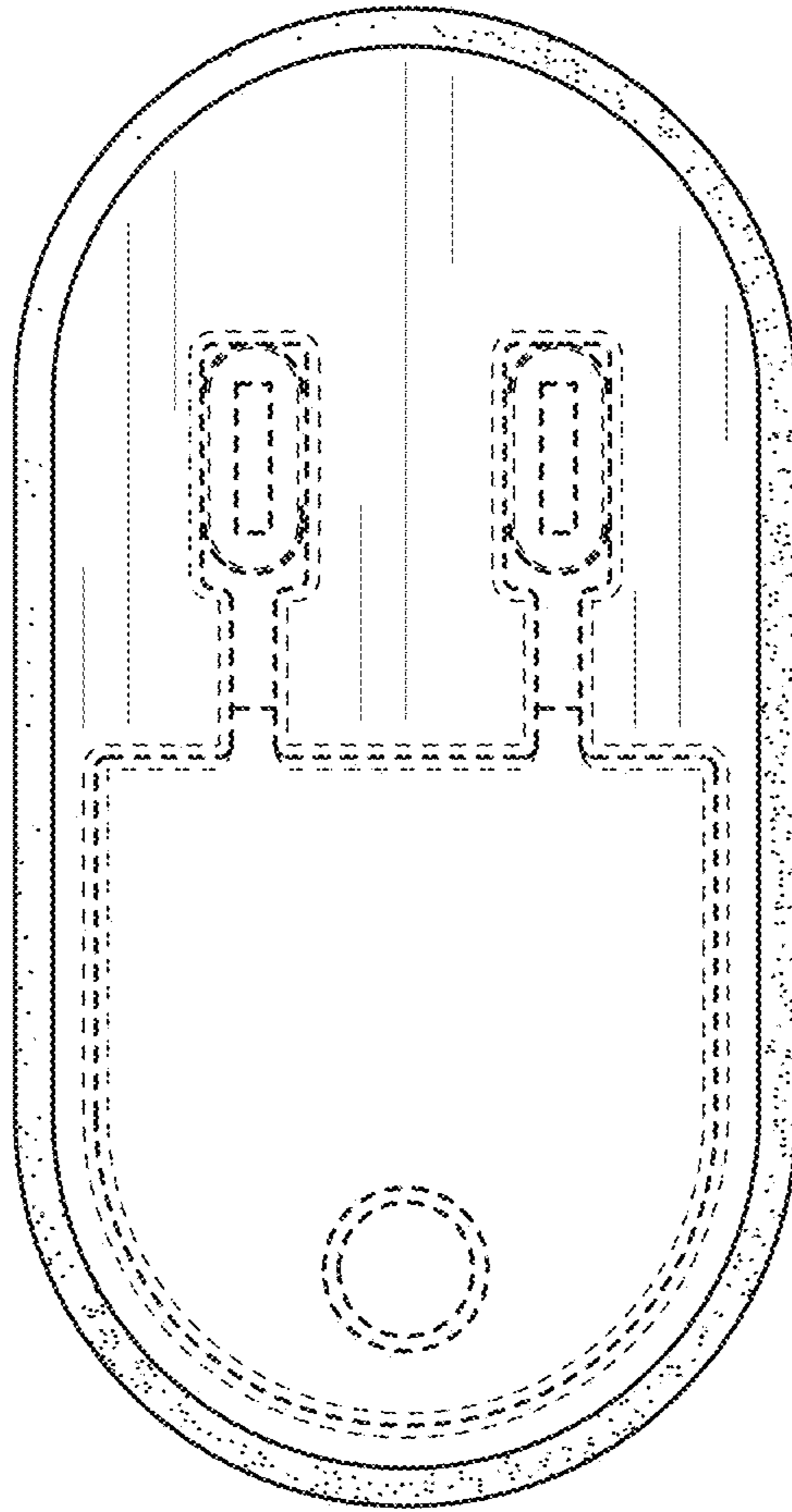


FIG. 3

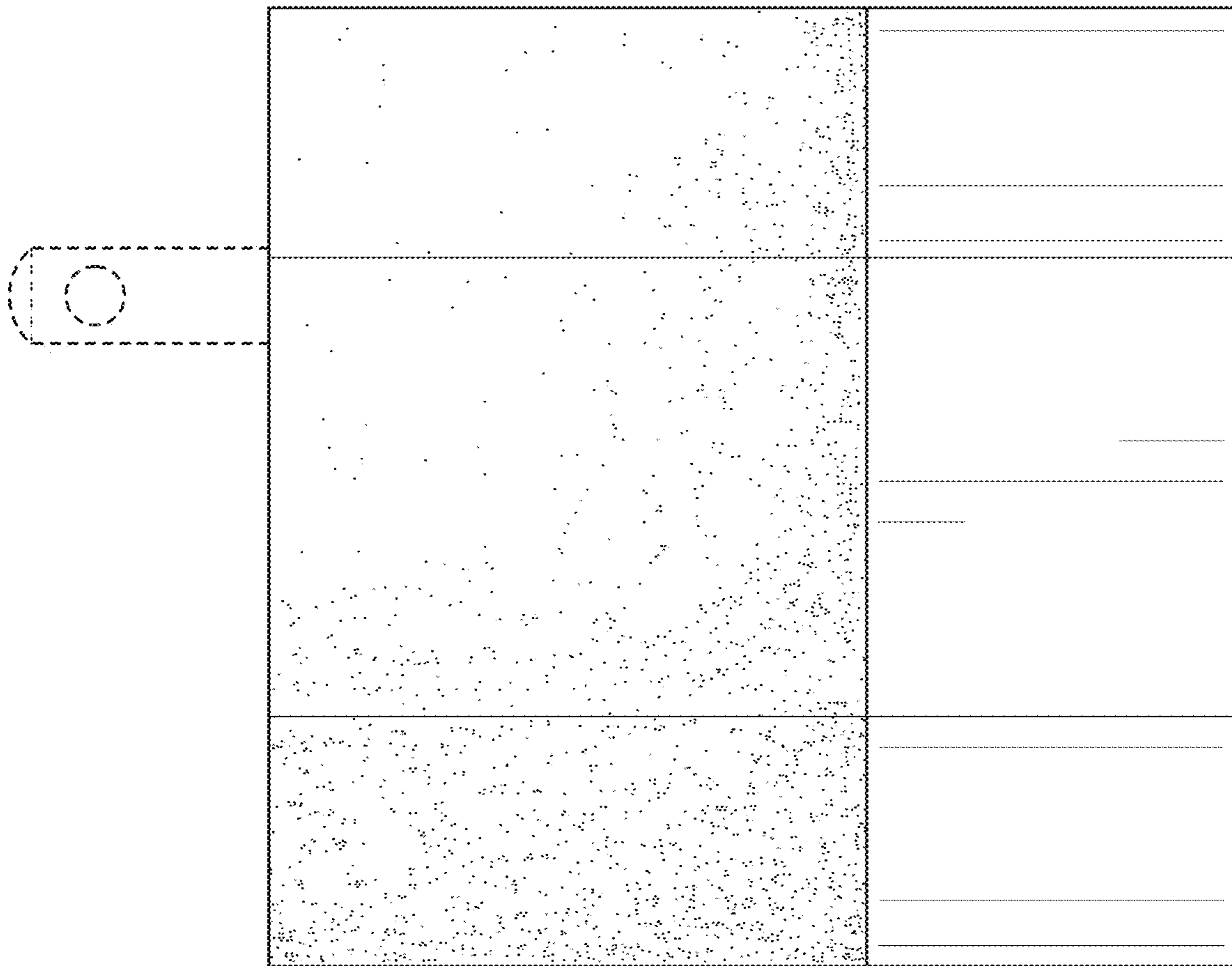


FIG. 4

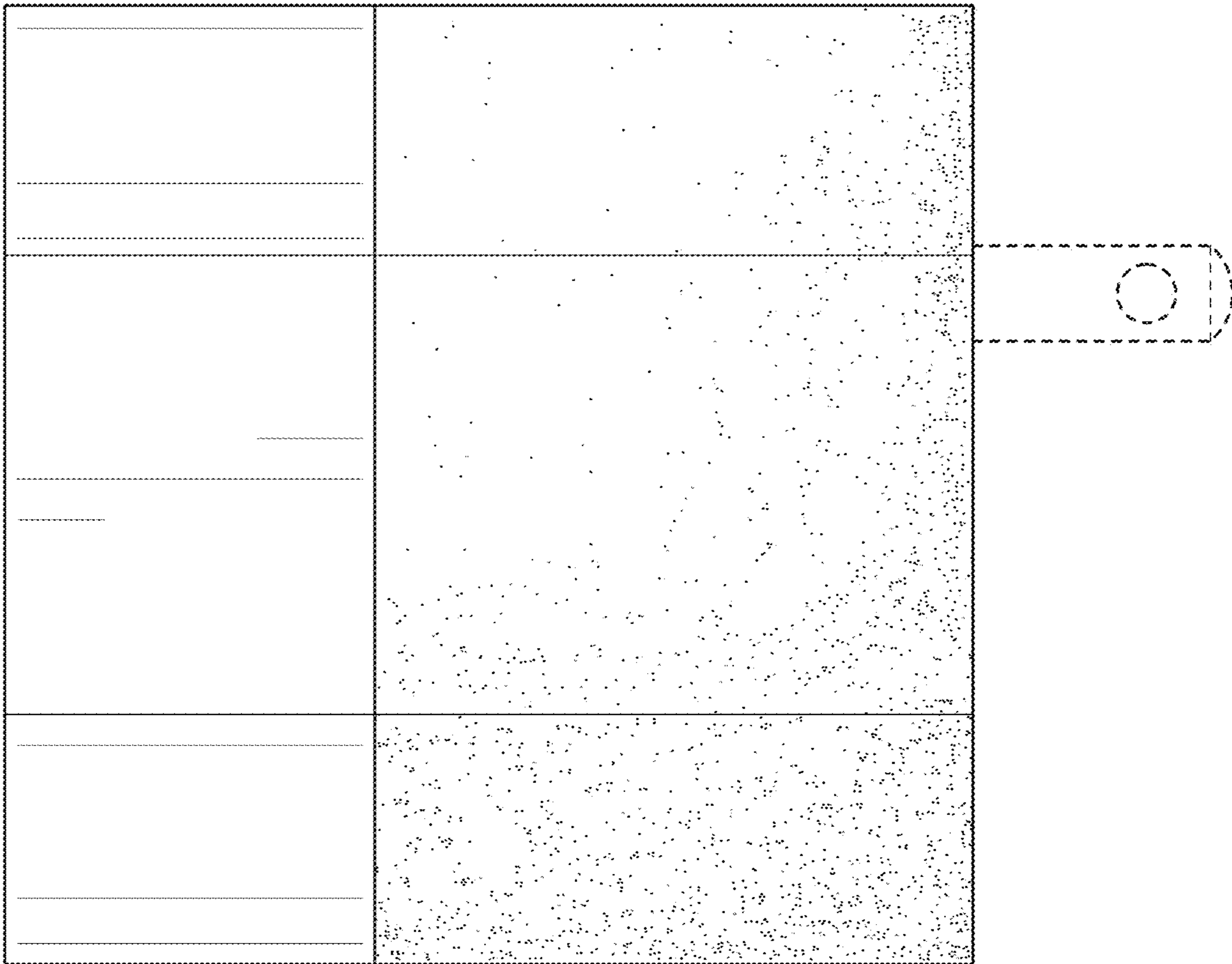


FIG. 5

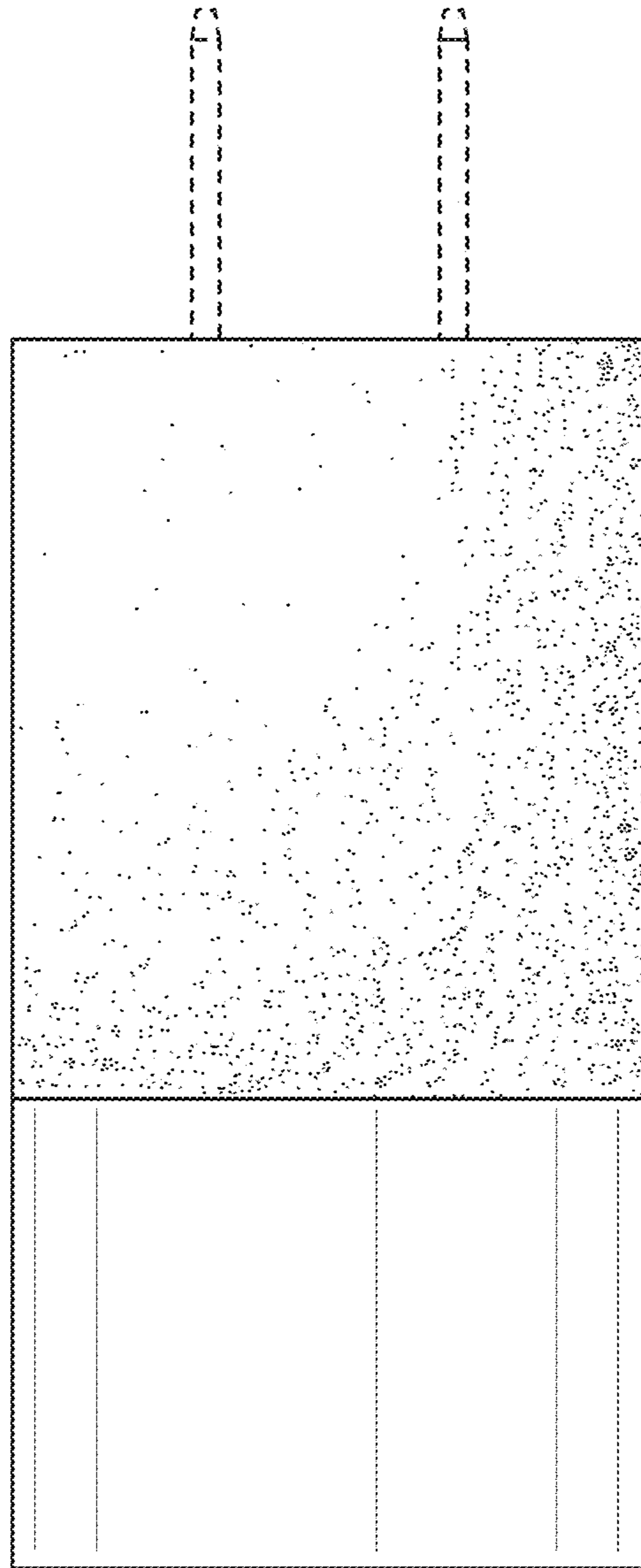


FIG. 6

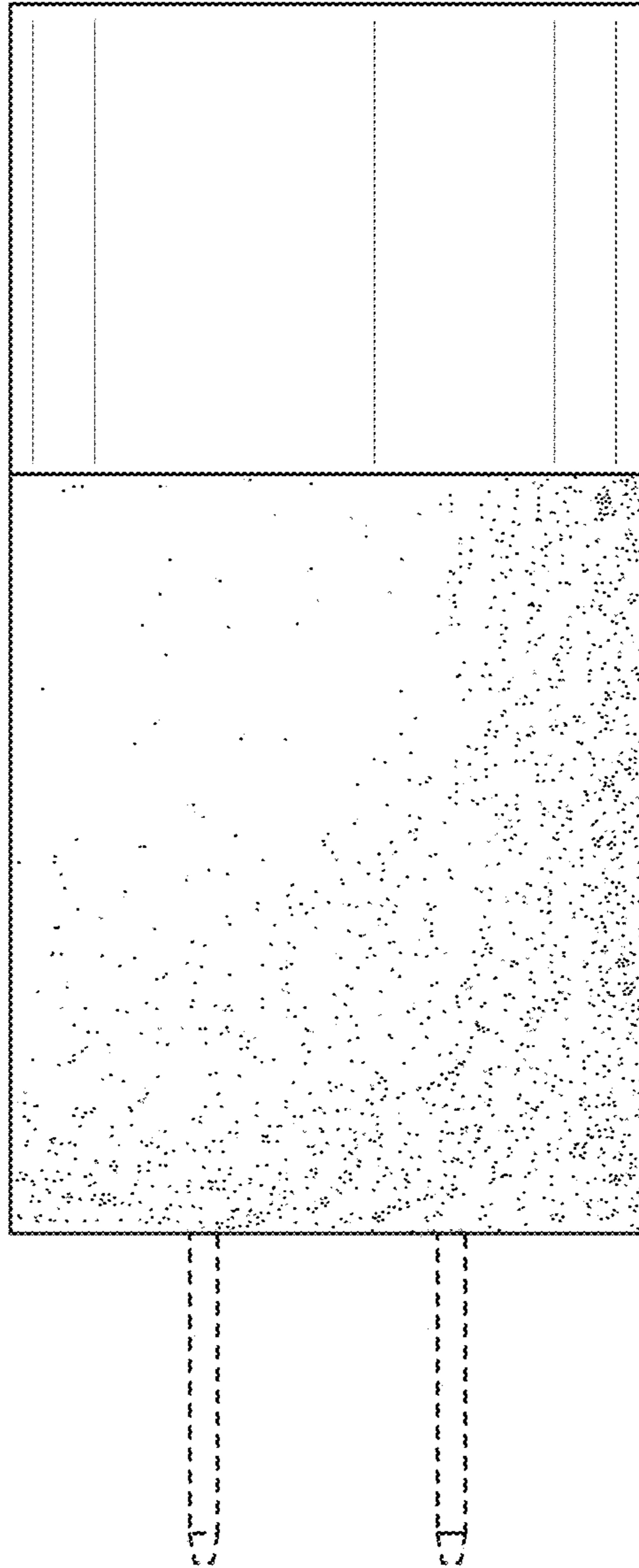


FIG. 7

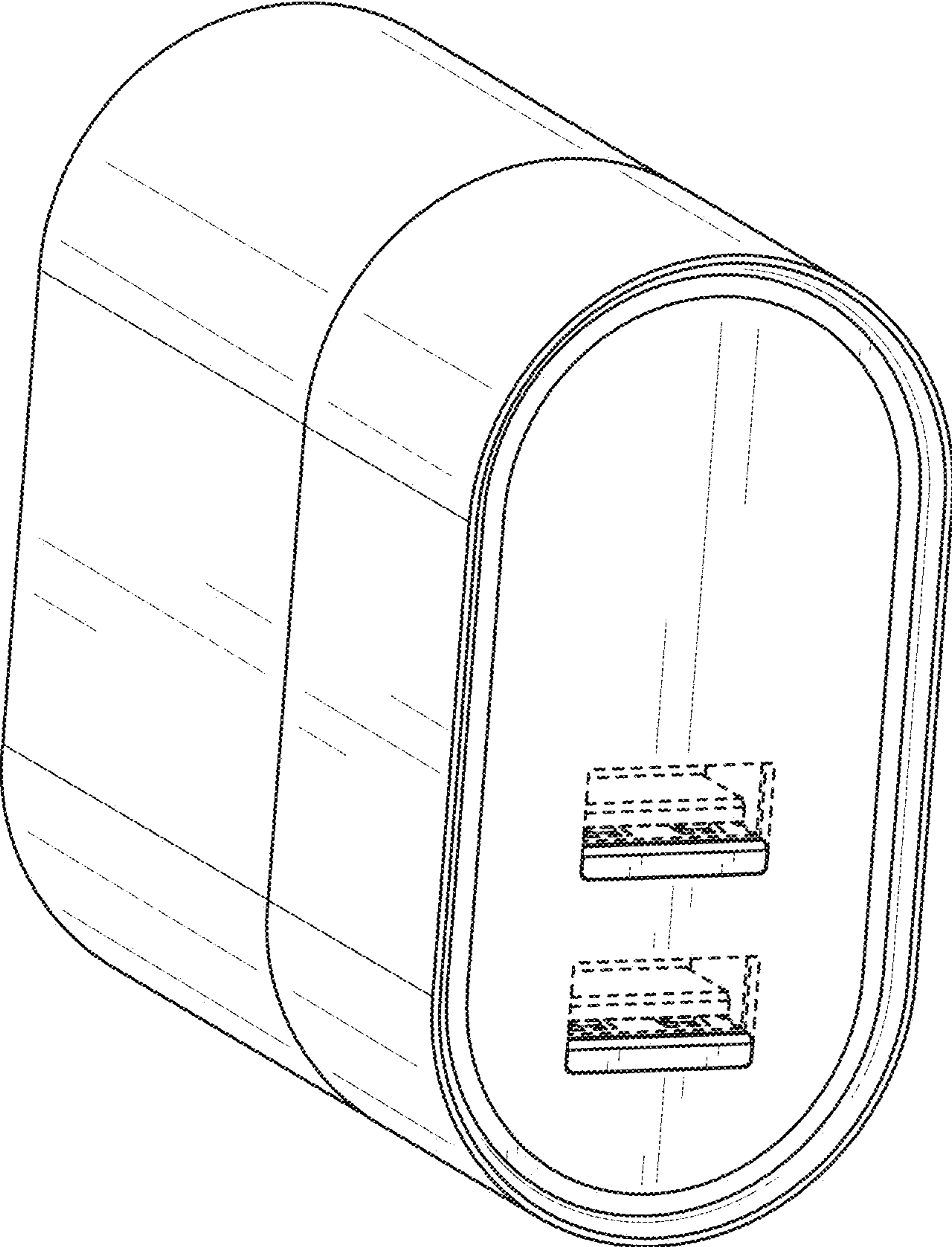


FIG. 8