



US00D899357S

(12) **United States Design Patent**
Liu et al.

(10) **Patent No.:** **US D899,357 S**
(45) **Date of Patent:** **** Oct. 20, 2020**

(54) **GENERATOR**

(71) Applicant: **BLACK & DECKER INC.**, New Britain, CT (US)

(72) Inventors: **Chao Lein Liu**, Taichung (TW); **Tylan A. Tschopp**, Baltimore, MD (US)

(73) Assignee: **BLACK & DECKER INC.**, New Britain, CT (US)

(**) Term: **15 Years**

(21) Appl. No.: **29/682,680**

(22) Filed: **Mar. 7, 2019**

(51) **LOC (12) Cl.** **13-02**

(52) **U.S. Cl.**
USPC **D13/107**

(58) **Field of Classification Search**
USPC D13/102–110, 118–119, 184
CPC Y02E 60/10; Y02E 60/12; Y02E 60/122;
Y02E 60/124; Y02E 60/50; H01M 2/02;
H01M 2/022; H01M 2/0202; H01M
2/0207; H01M 2/0212; H01M 2/1061;
H01M 2/1022; H01M 2/1055; H01M
2/1066; H01M 2/105; H01M 2/20; H01M
2/202; H01M 2/204; H01M 2/206; H01M
10/44; H01M 10/46; H01M 10/465;
H01M 10/482; H01M 2200/30; H01M
2250/30; H01M 2250/40; H02J 7/00;
H02J 7/0003; H02J 7/0011; H02J 7/0013;
H02J 7/0054; H02J 7/0055; H02J 7/0057;
H02J 2007/0062

See application file for complete search history.

(56) **References Cited**

U.S. PATENT DOCUMENTS

D386,148 S * 11/1997 Katooka D13/110
D423,451 S * 4/2000 Heckenast D13/110

D495,994 S * 9/2004 Arakelian D13/103
D506,724 S * 6/2005 Hriscu D13/107
D650,739 S * 12/2011 Cai D13/116
D674,747 S * 1/2013 Nierescher D13/106
D764,403 S * 8/2016 Azuma D13/103
D780,686 S * 3/2017 Glasow D13/103
D813,161 S * 3/2018 Ortakales D13/110
D815,039 S * 4/2018 Wen D13/110
D870,042 S * 12/2019 Chen D13/110
D871,334 S * 12/2019 Chen D13/110
D871,337 S * 12/2019 Nagasawa D13/116
D872,692 S * 1/2020 Li D13/108
D873,767 S * 1/2020 Rao D13/107
D874,397 S * 2/2020 Sun D13/107
D874,398 S * 2/2020 Sun D13/107
2015/0273608 A1 * 10/2015 Rozmarynowski .. B23K 9/1012
219/133

* cited by examiner

Primary Examiner — Catherine S Posthauer

Assistant Examiner — Alison M Ofstun

(74) *Attorney, Agent, or Firm* — Adan Ayala

(57) **CLAIM**

The ornamental design for a generator, as shown and described.

DESCRIPTION

FIG. 1 is a front perspective view of a generator, showing our new design.

FIG. 2 is a front view of the generator of FIG. 1.

FIG. 3 is a rear view of the generator of FIG. 1.

FIG. 4 is a right side view of the generator of FIG. 1.

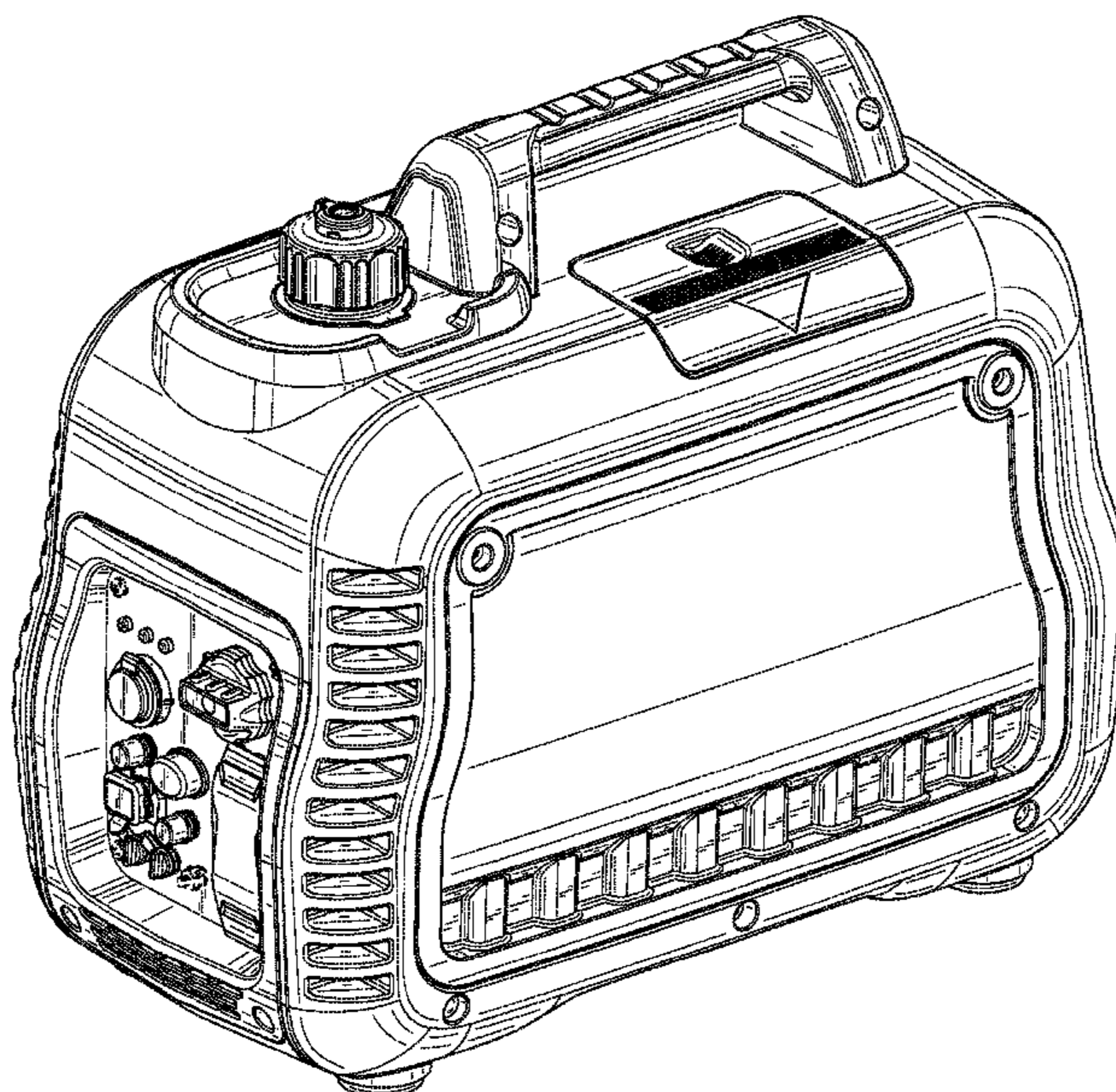
FIG. 5 is a left side view of the generator of FIG. 1.

FIG. 6 is a top plan view of the generator of FIG. 1.

FIG. 7 is a bottom plan view of the generator of FIG. 1; and, FIG. 8 is a rear perspective view of the generator of FIG. 1.

In the drawings, the broken lines represent portions of the article which form no part of the claimed design.

1 Claim, 8 Drawing Sheets



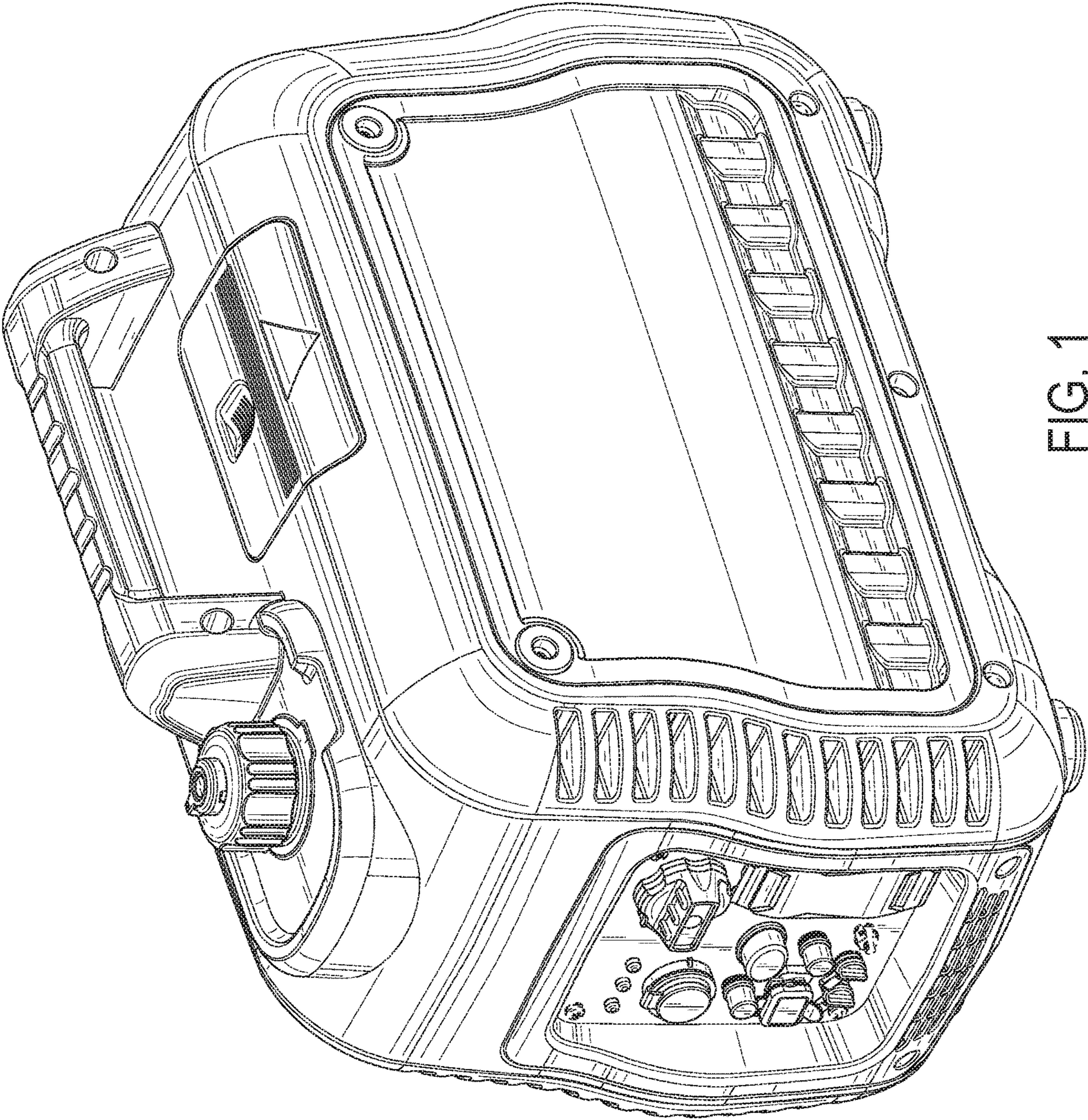


FIG. 1

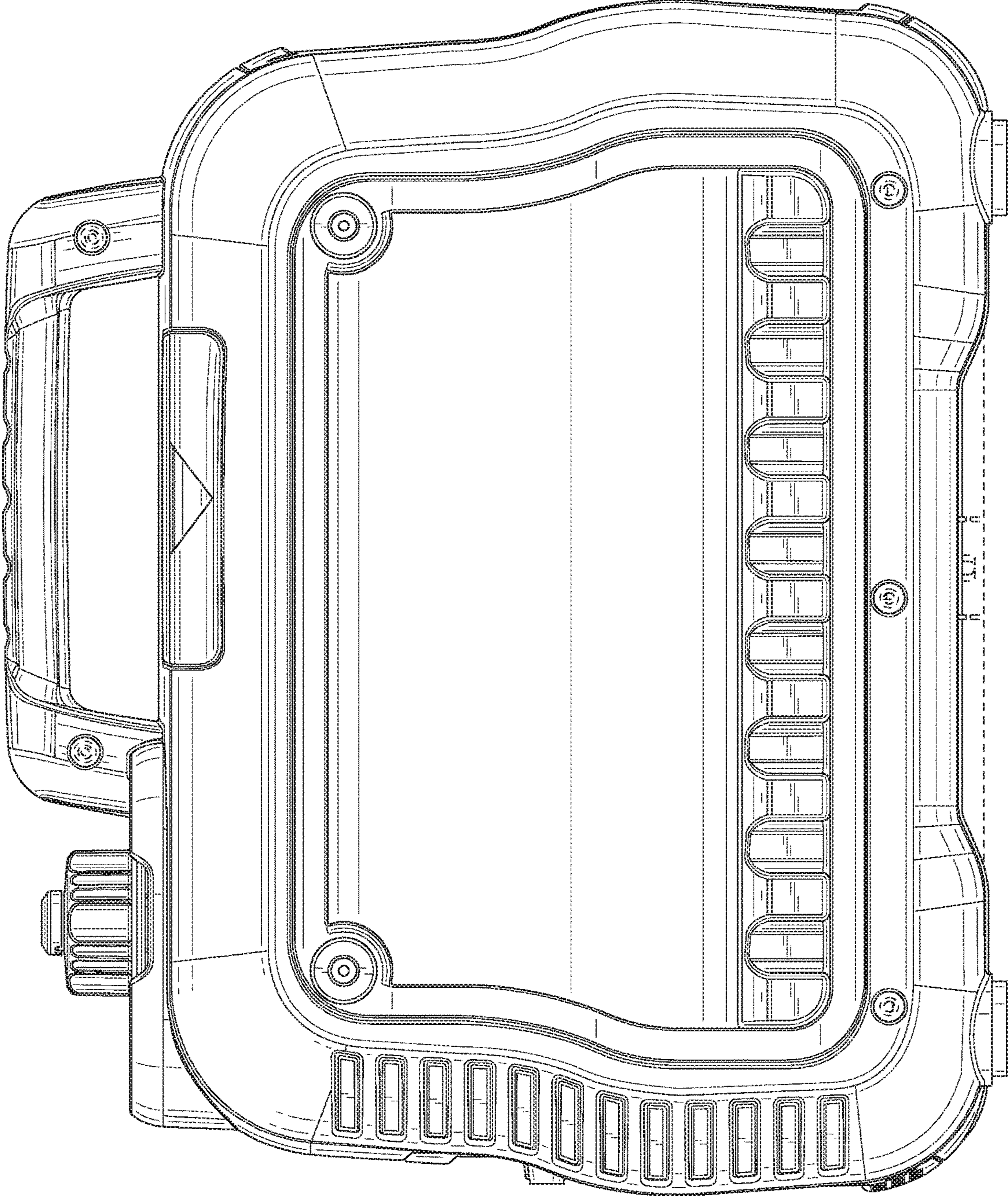


FIG. 2

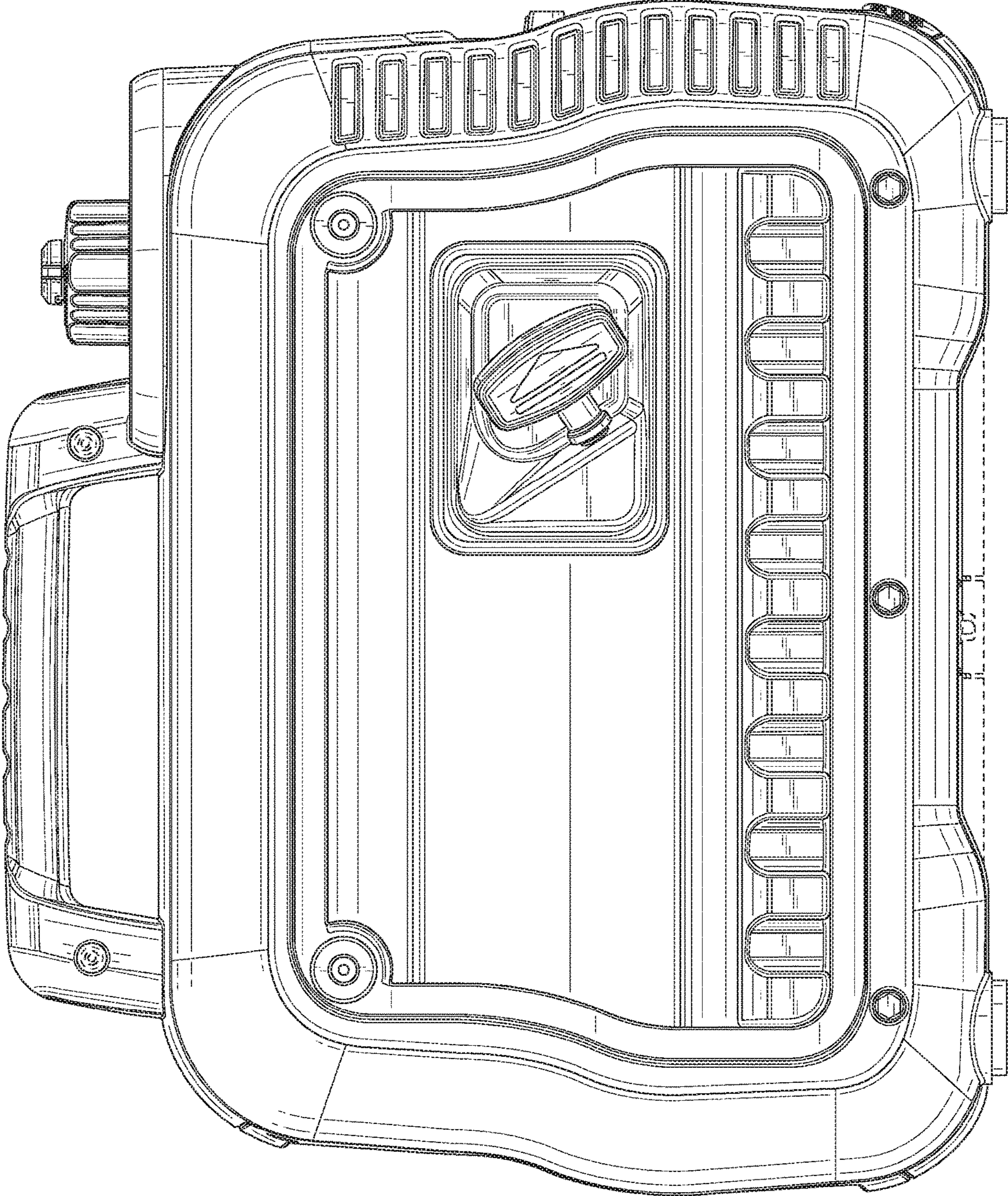


FIG. 3

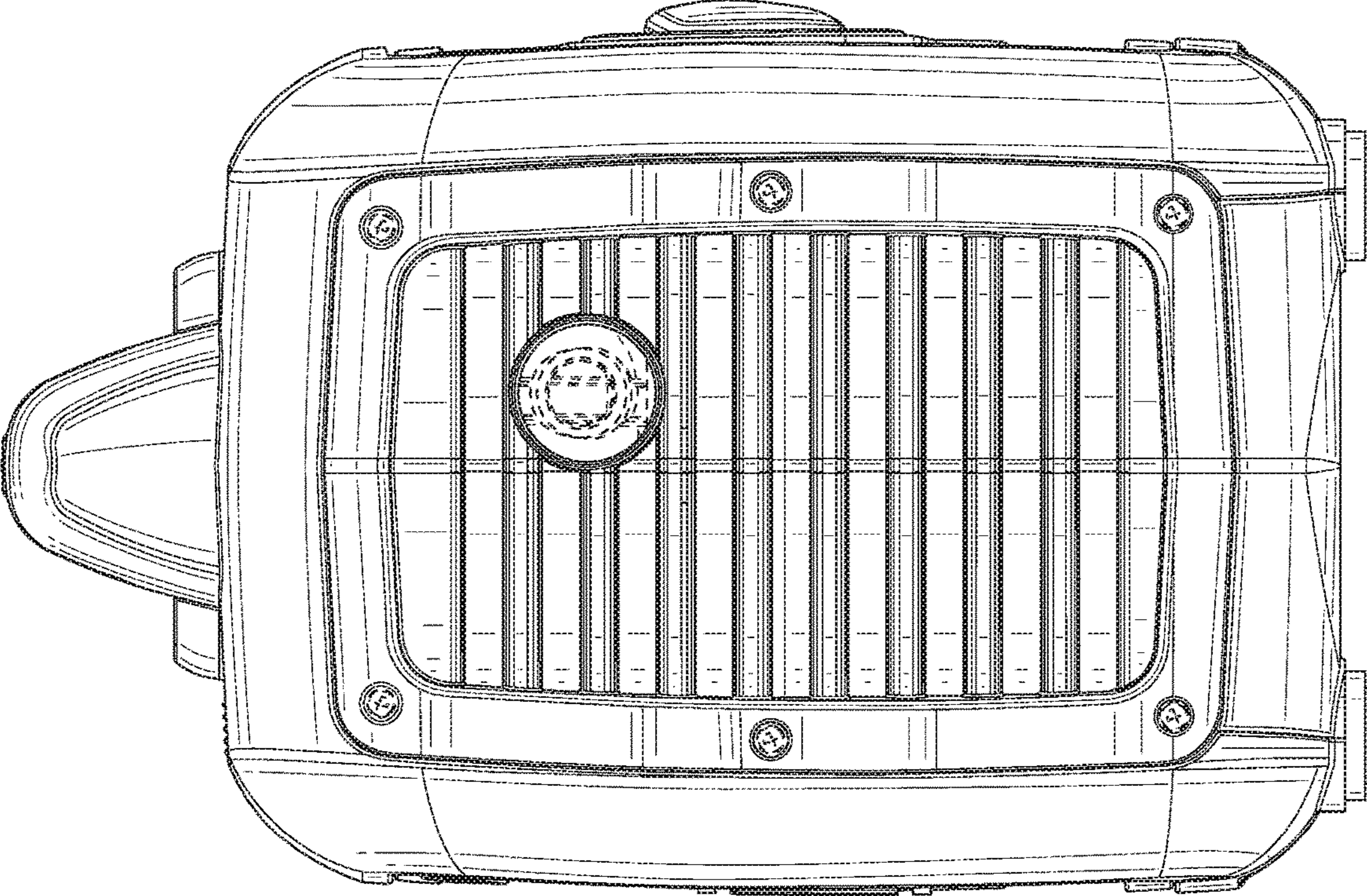


FIG. 4

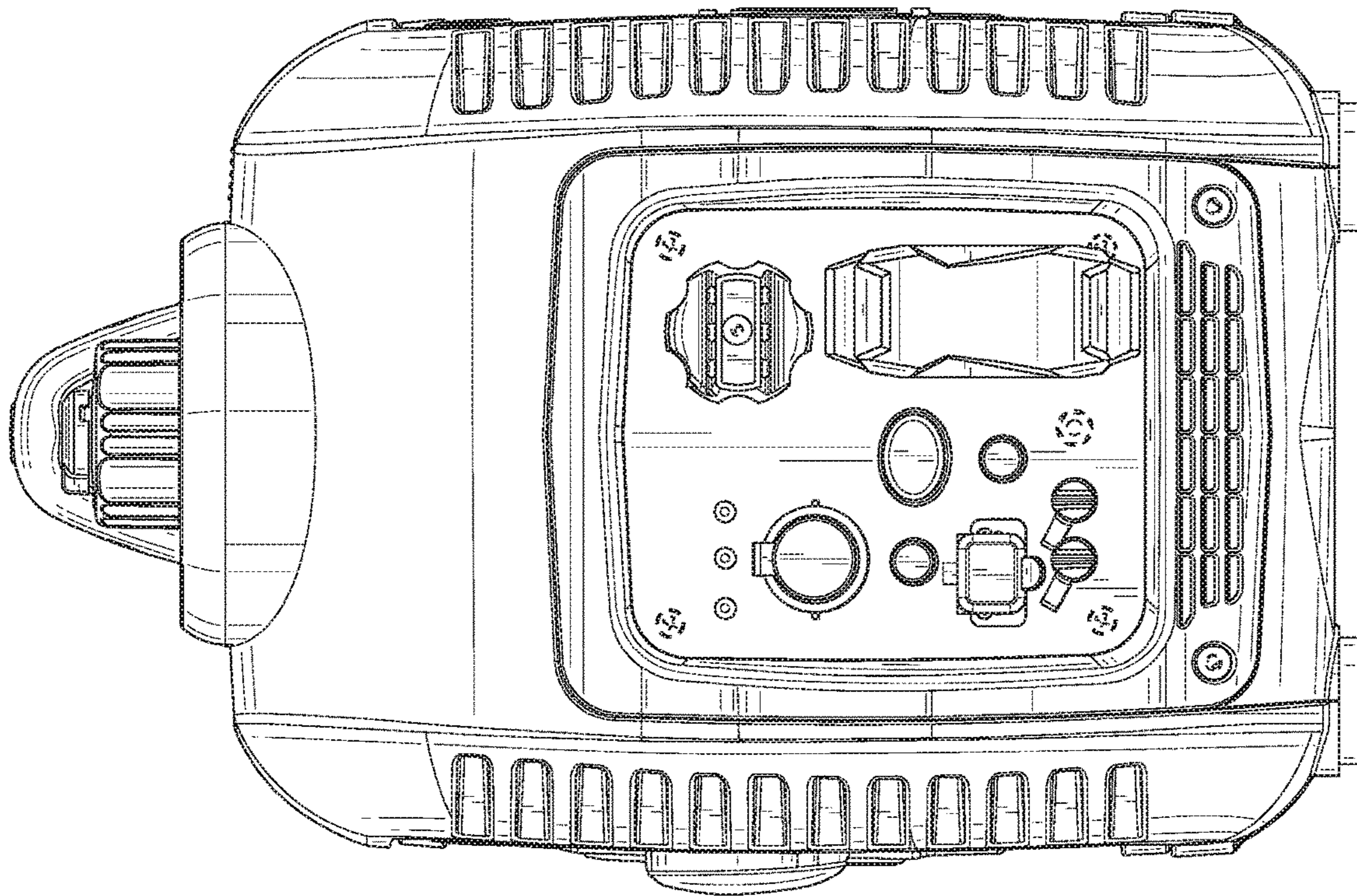


FIG. 5

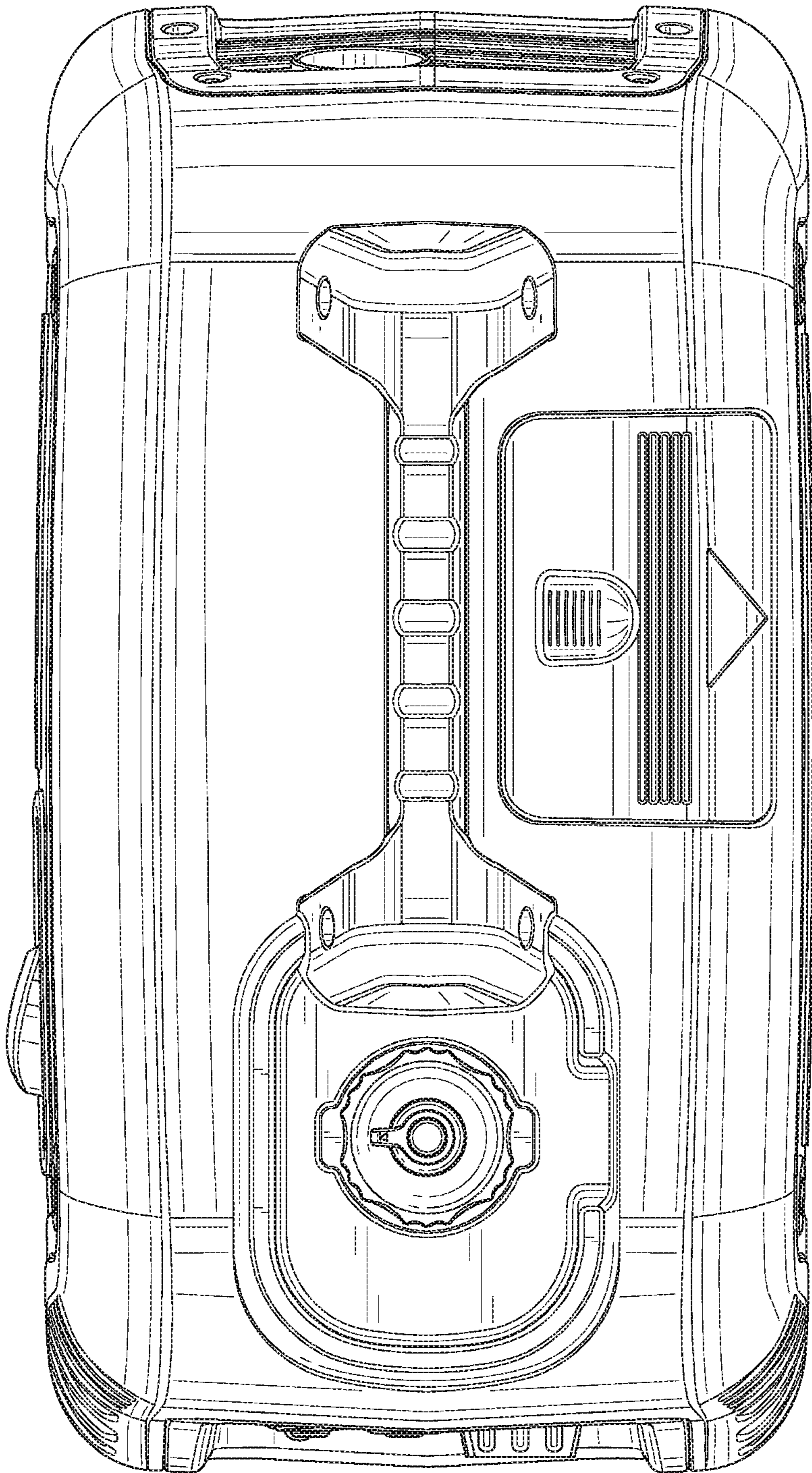


FIG. 6

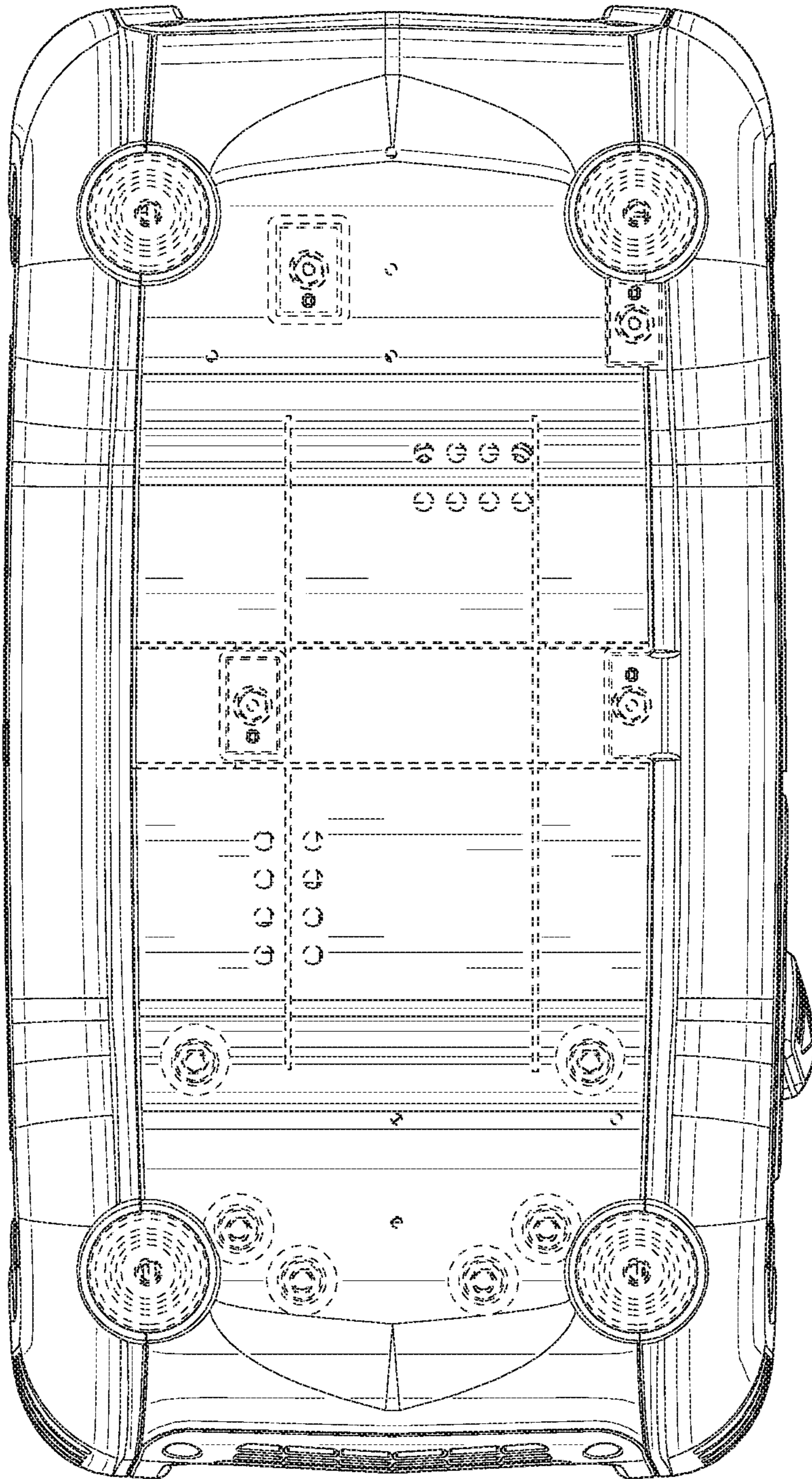


FIG. 7

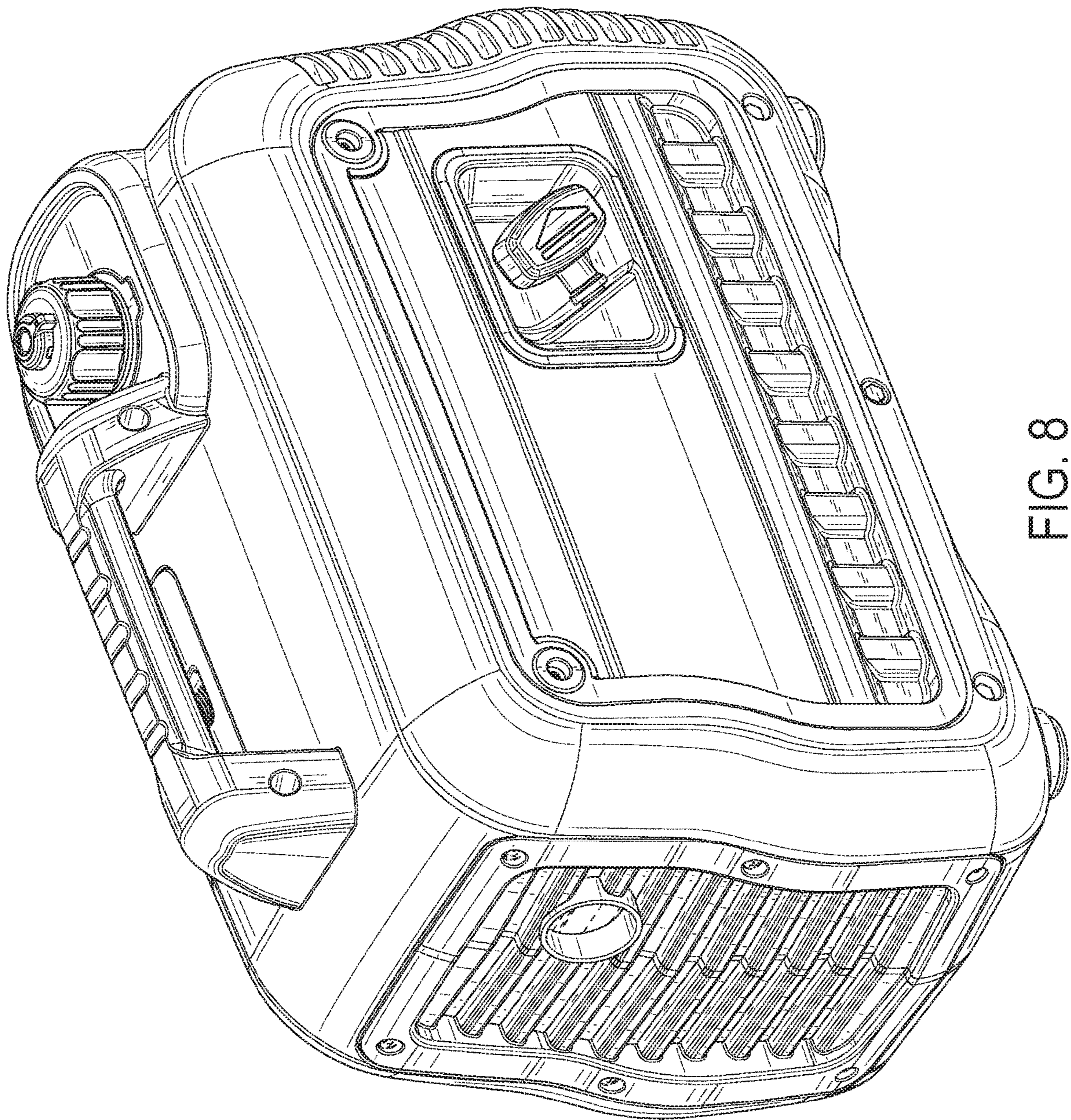


FIG. 8