



US00D899355S

(12) **United States Design Patent** (10) **Patent No.:** **US D899,355 S**
Sommerfeld et al. (45) **Date of Patent:** **** Oct. 20, 2020**

(54) **BATTERY** 2/0207; H01M 2/0212; H01M 2/1061;
H01M 2/1022; H01M

(71) Applicant: **MILWAUKEE ELECTRIC TOOL CORPORATION**, Brookfield, WI (US)

(Continued)

(72) Inventors: **Steven Sommerfeld**, Mukwonago, WI (US); **Benjamin Gall**, Wauwatosa, WI (US); **Hui Shu Beldon Liu**, Dongguan (CN)

(56) **References Cited**

U.S. PATENT DOCUMENTS

5,065,082 A 11/1991 Fushiya
D335,277 S 5/1993 Hattori

(Continued)

(73) Assignee: **Milwaukee Electric Tool Corporation**, Brookfield, WI (US)

FOREIGN PATENT DOCUMENTS

(**) Term: **15 Years**

DE 19617805 11/1996
EP 1061593 A2 12/2000

(Continued)

(21) Appl. No.: **29/594,066**

OTHER PUBLICATIONS

(22) Filed: **Feb. 15, 2017**

International Search Report and Written Opinion for Application No. PCT/CN2016/102208 dated Jul. 24, 2017, 12 pages.

(Continued)

Related U.S. Application Data

(63) Continuation of application No. PCT/CN2016/102208, filed on Oct. 14, 2016.

Primary Examiner — Rosemary K Tarcza

Assistant Examiner — Christy M Nemeth

(74) *Attorney, Agent, or Firm* — Michael Best & Friedrich LLP

(30) **Foreign Application Priority Data**

Aug. 15, 2016 (CN) 2016 3 0390112

(51) **LOC (12) Cl.** **13-02**

(52) **U.S. Cl.**
USPC **D13/103**

(58) **Field of Classification Search**

USPC D13/103, 107, 108, 110, 133,
D13/137.1–137.4, 138.1–138.2,
D13/139.1–139.8, 146, 147, 151–156,
D13/173, 177, 199; D14/432, 433, 435.1,
D14/250; D23/231, 232; D15/7–9;
D8/350, 353–356
CPC H01R 11/00; H01R 9/00; H01R 13/00;
H01R 13/04; H01R 13/10; H01R
13/6666; H01R 13/6675; H01R 25/00;
H01R 25/006; H01H 2207/00; H01H
2207/022; Y02E 60/12; Y02E 60/122;
Y02E 60/124; Y02E 60/50; H01M 2/02;
H01M 2/022; H01M 2/0202; H01M

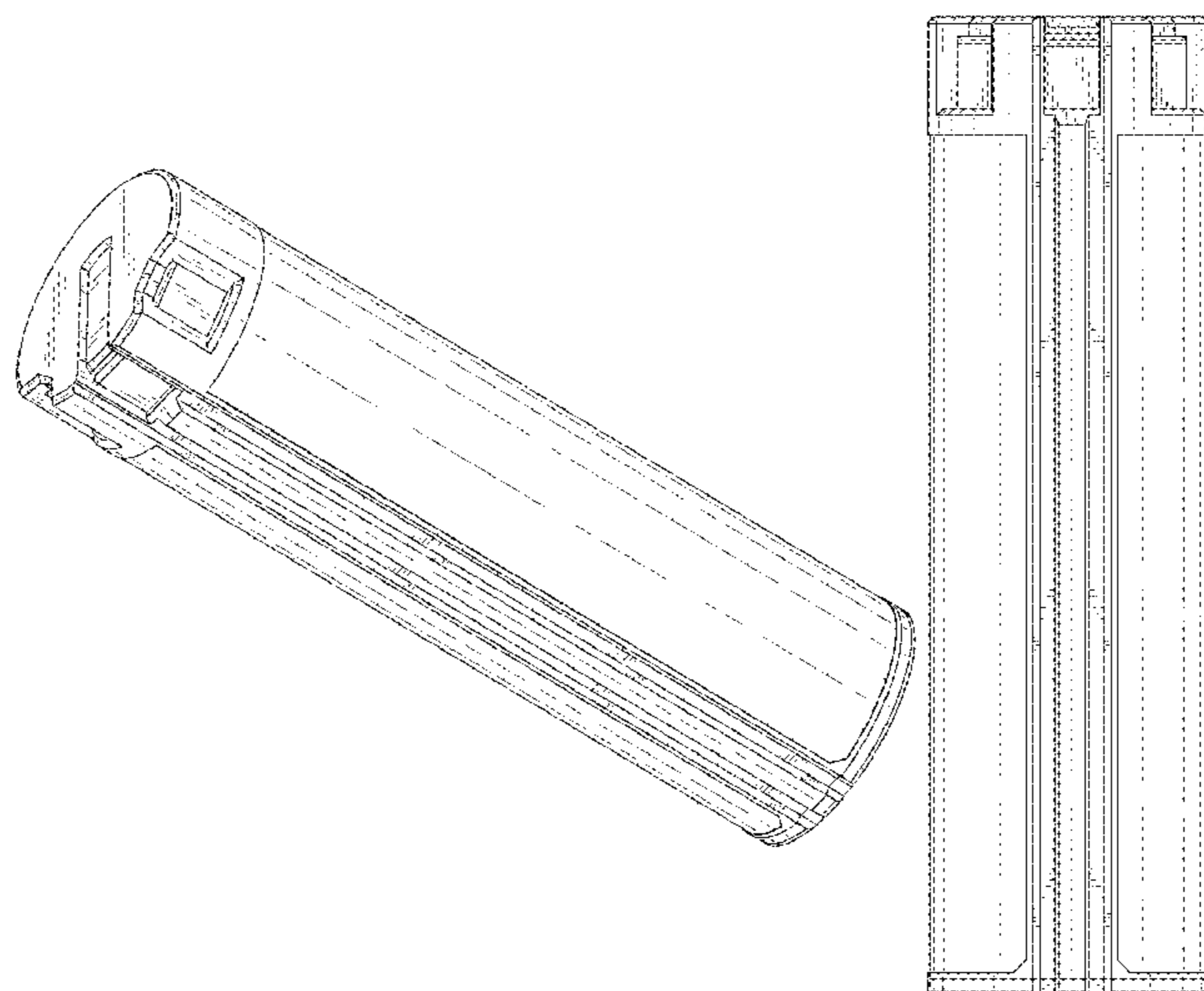
(57) **CLAIM**

We claim the ornamental design for a battery, as shown and described.

DESCRIPTION

FIG. 1 is a first perspective view of a battery.
FIG. 2 is a top view of the battery of FIG. 1.
FIG. 3 is a bottom view of the battery of FIG. 1.
FIG. 4 is a first side view of the battery of FIG. 1.
FIG. 5 is a second side view of the battery of FIG. 1.
FIG. 6 is a third side view of the battery of FIG. 1; and,
FIG. 7 is a fourth side view of the battery of FIG. 1.

1 Claim, 7 Drawing Sheets



(58) **Field of Classification Search**
 CPC .. 2/1055; H01M 2/1066; H01M 2/105; H01M
 2/204; H02J 7/00; H02J 7/0003; H02J
 7/0011; H02J 7/0013; H02J 7/0054; H02J
 7/0055; H02J 7/0057; Y02T 10/7005;
 Y02T 10/705; Y02T 10/7088; B60L
 11/1809; B60L 11/1861
 See application file for complete search history.

(56) **References Cited**

U.S. PATENT DOCUMENTS

D352,698	S	11/1994	Okumura	
5,626,979	A	5/1997	Mitsui et al.	
5,874,181	A	2/1999	Tam	
D413,565	S *	9/1999	Nakayama	D13/103
D427,142	S *	6/2000	Luh	D13/103
D428,385	S *	7/2000	Luh	D13/103
D459,297	S *	6/2002	Searle	D13/103
6,955,446	B2	10/2005	Uke	
D530,277	S *	10/2006	Lin	D13/110
D532,372	S *	11/2006	Keating	D13/108
D539,216	S *	3/2007	Hamaguchi	D13/103
D539,217	S *	3/2007	Hamaguchi	D13/103
D543,143	S *	5/2007	Hamaguchi	D13/103
7,278,753	B2	10/2007	Uke	
D557,658	S *	12/2007	Ledbetter	D13/108
7,491,466	B2	2/2009	Feddrix et al.	
D593,488	S *	6/2009	Harrison	D13/103
D598,374	S *	8/2009	Sasada	D13/108
D598,844	S *	8/2009	Harrison	D13/103
D645,816	S *	9/2011	Sasada	D13/108
D664,498	S *	7/2012	Liu	D13/103
D664,920	S *	8/2012	Huang	D13/107
D670,244	S *	11/2012	Workman	D13/110
D686,155	S *	7/2013	Nguyen	D13/103
D709,891	S *	7/2014	Alesi	D14/433
D717,305	S *	11/2014	Alesi	D14/433
D749,044	S *	2/2016	Huang	D13/108
D756,908	S *	5/2016	Chung	D13/103
D762,564	S *	8/2016	Patton	D13/103
D780,115	S *	2/2017	Huang	D13/107

D815,037	S *	4/2018	Chen	D13/108
D822,591	S *	7/2018	Wu	D13/103
D826,846	S *	8/2018	Greiner	D13/103
D844,557	S *	4/2019	Wang	D13/103
D846,492	S *	4/2019	Verleur	D13/103
D860,951	S *	9/2019	Hu	D13/144
D866,461	S *	11/2019	Arimoto	D13/108
D870,659	S *	12/2019	Liao	D13/108
2003/0203669	A1	10/2003	Glauning	
2008/0225519	A1	9/2008	Uke	
2008/0305387	A1	12/2008	Murray et al.	
2009/0148756	A1 *	6/2009	Specht	H01M 6/16 429/94
2010/0190052	A1 *	7/2010	Rajani	H01M 2/1055 429/178
2011/0076523	A1	3/2011	Iwamoto et al.	
2012/0048587	A1	3/2012	Umamura et al.	
2013/0022847	A1 *	1/2013	Janousek	H01M 2/022 429/90
2013/0344361	A1	12/2013	Imre	
2014/0106195	A1	4/2014	Milbourne et al.	
2014/0242449	A1	8/2014	Lee et al.	
2016/0260955	A1 *	9/2016	Jo	H01M 2/30
2018/0309096	A1 *	10/2018	Kim	H01M 2/08
2018/0315968	A1 *	11/2018	Koyama	H01M 10/48
2018/0347061	A1 *	12/2018	Sadaki	C25D 5/50
2019/0207273	A1 *	7/2019	Chen	H02J 7/0042
2019/0252732	A1 *	8/2019	Park	H01M 10/0431
2019/0348703	A1 *	11/2019	Lim	H01M 10/0431

FOREIGN PATENT DOCUMENTS

EP	3059781	A1	8/2016
JP	3083442	B2	9/2000
JP	1442636		6/2012
TW	D147001		5/2012

OTHER PUBLICATIONS

European Patent Office Extended Search Report for Application No.
 16918594.9 dated May 4, 2020 (7 pages).

* cited by examiner

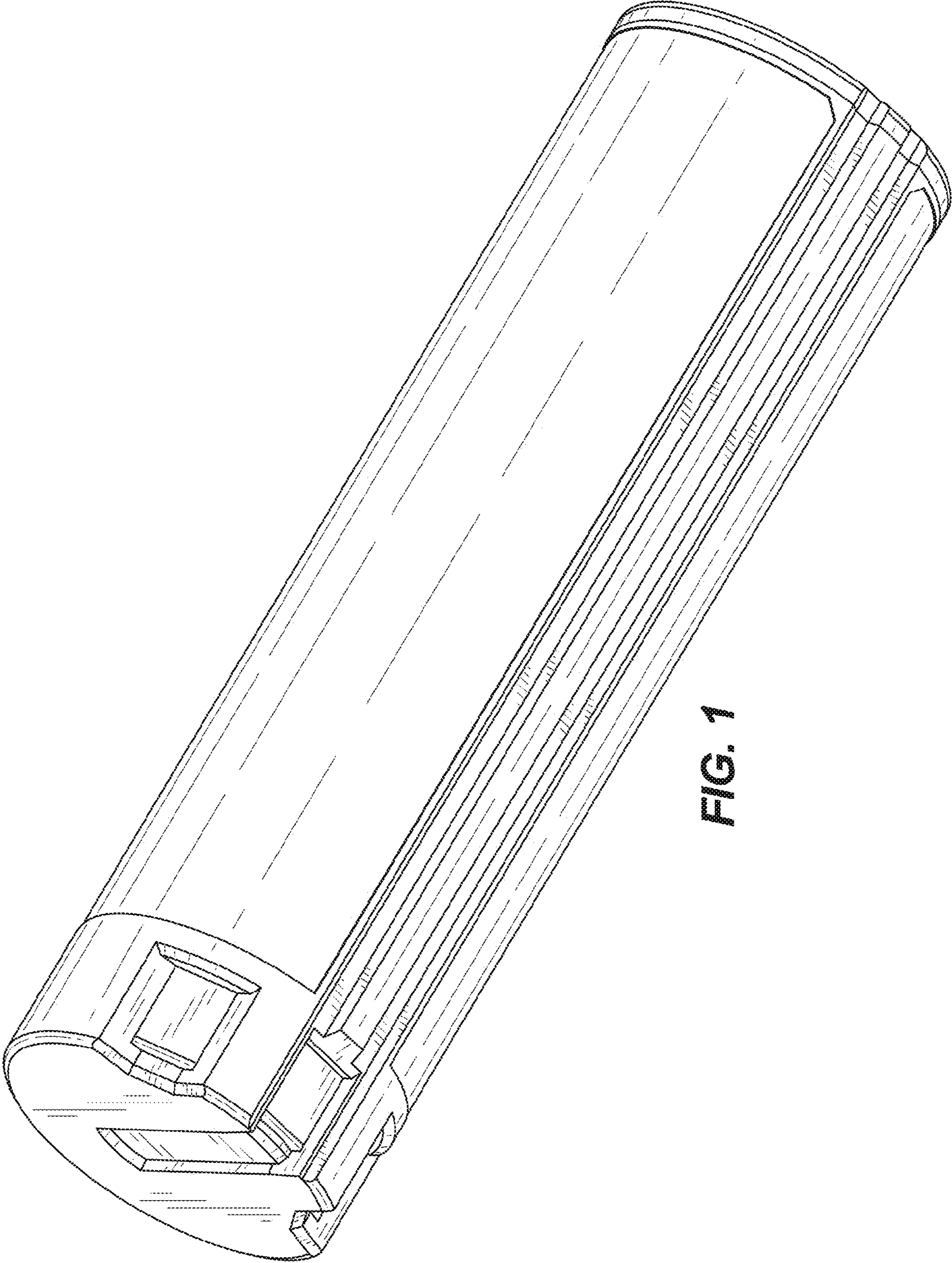


FIG. 1

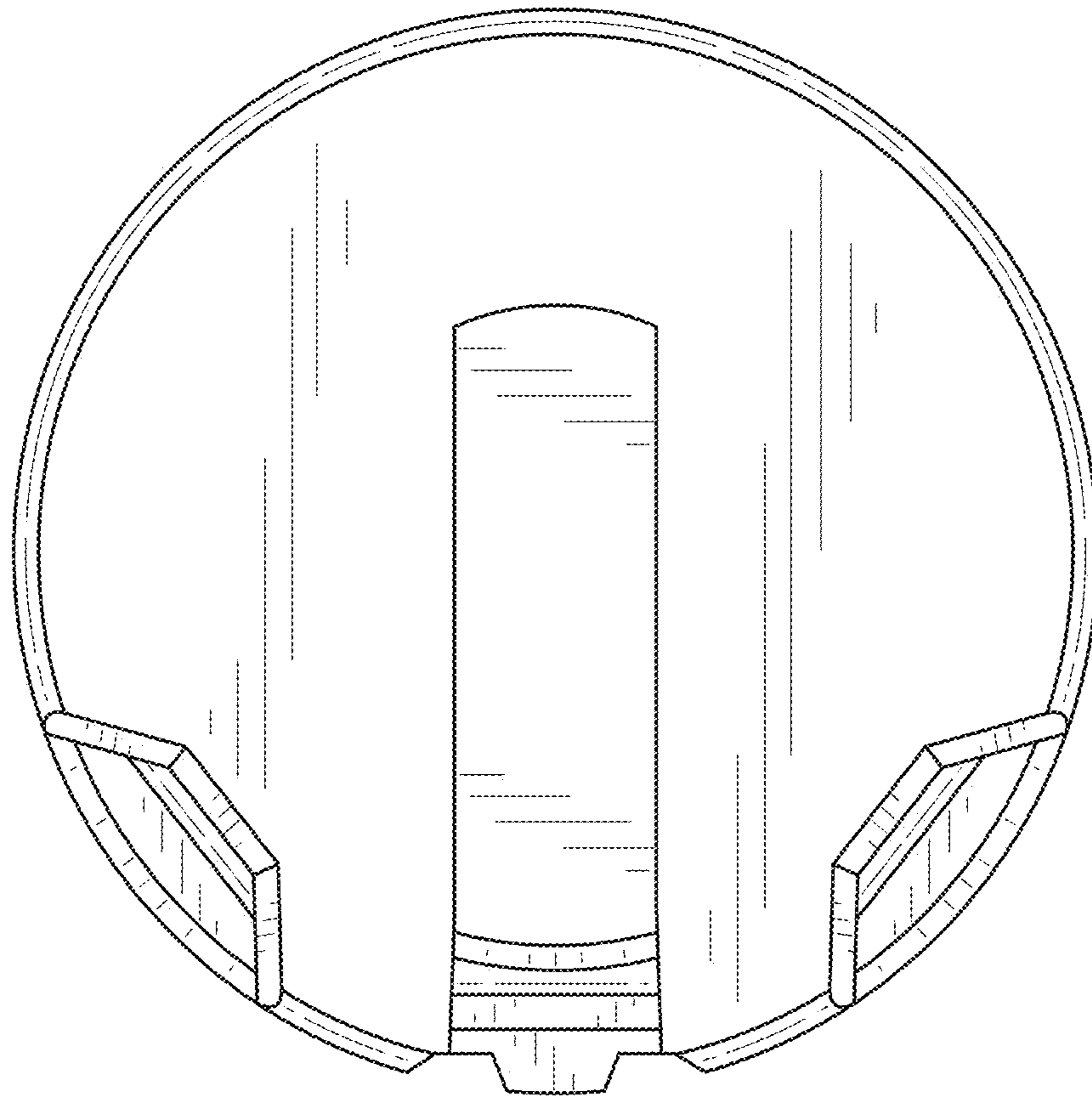


FIG. 2

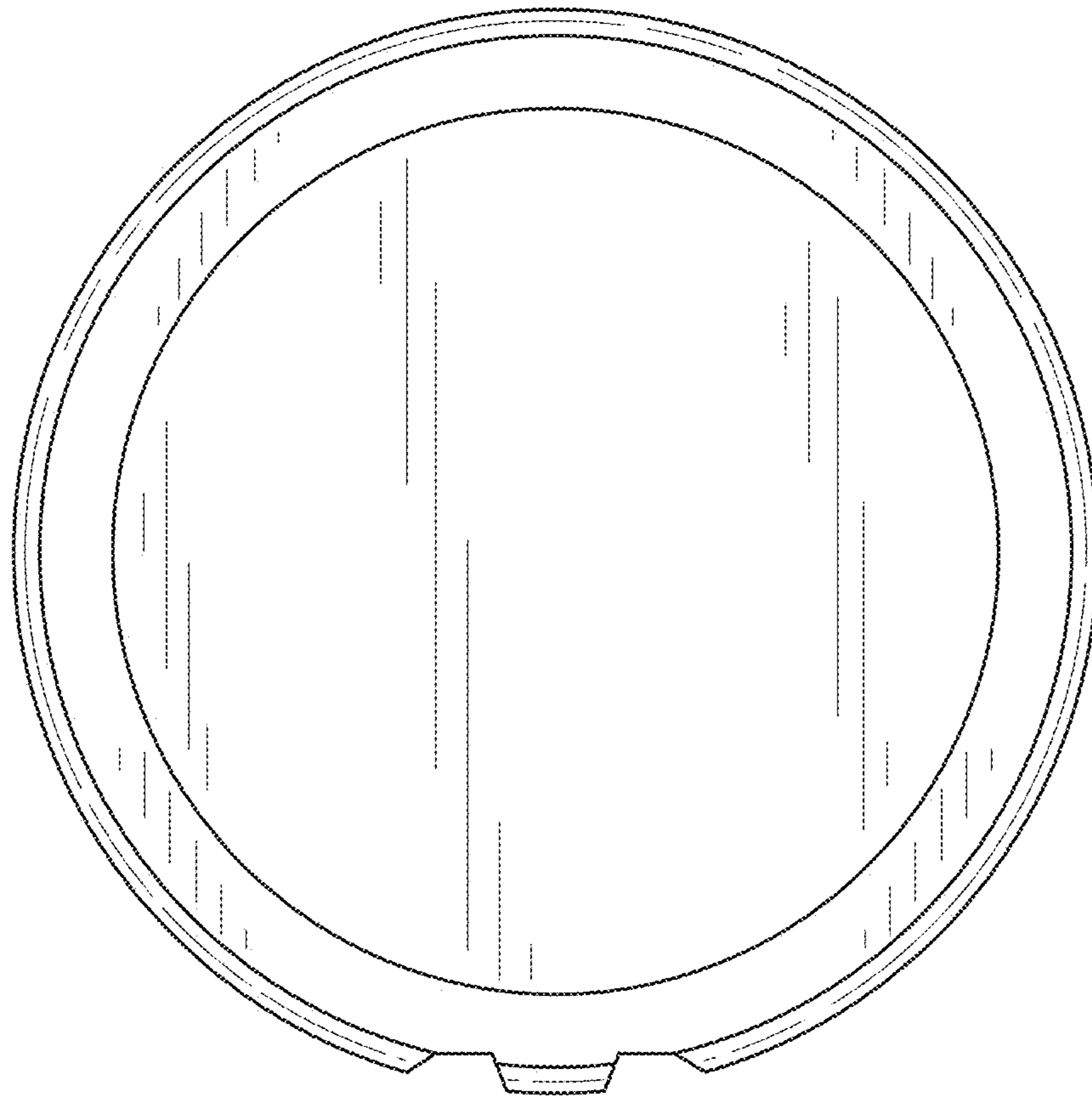


FIG. 3

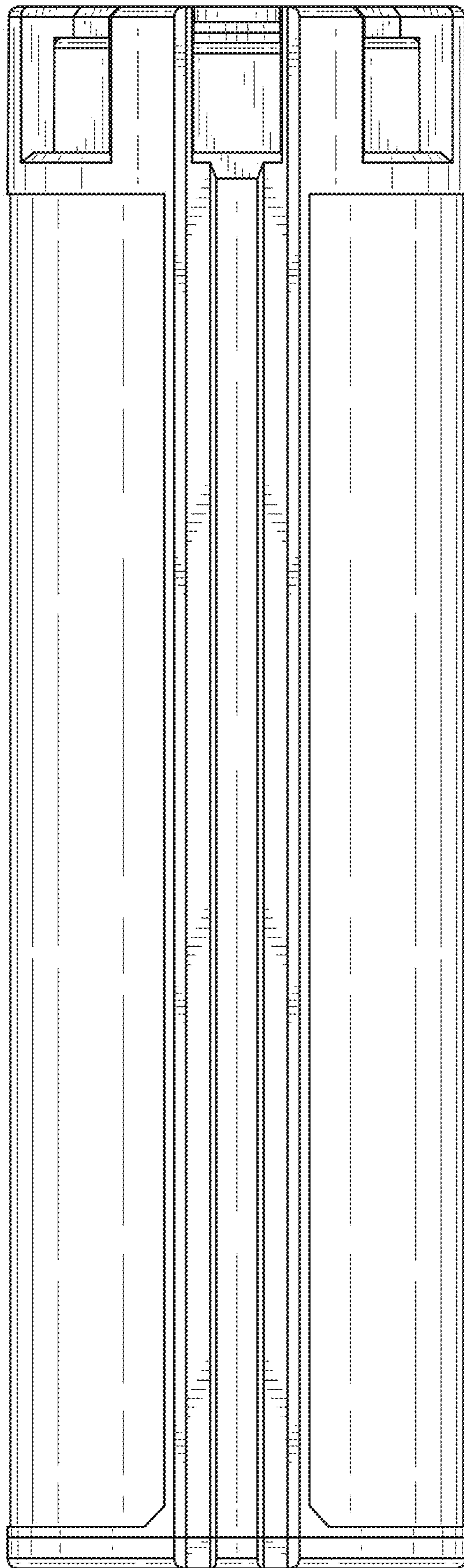


FIG. 4

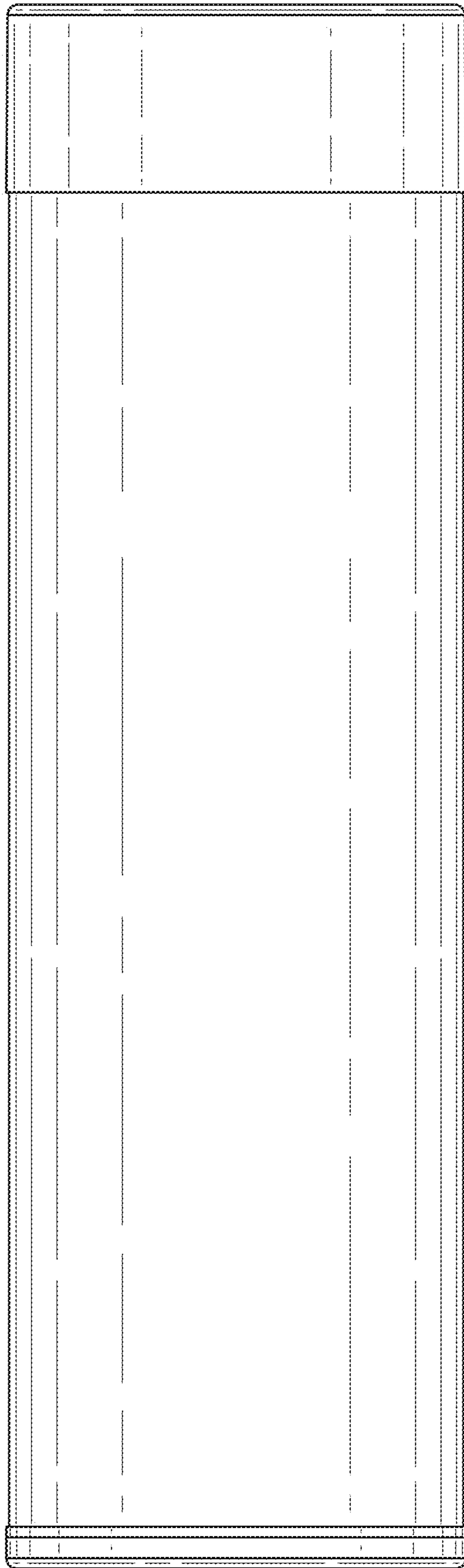


FIG. 5

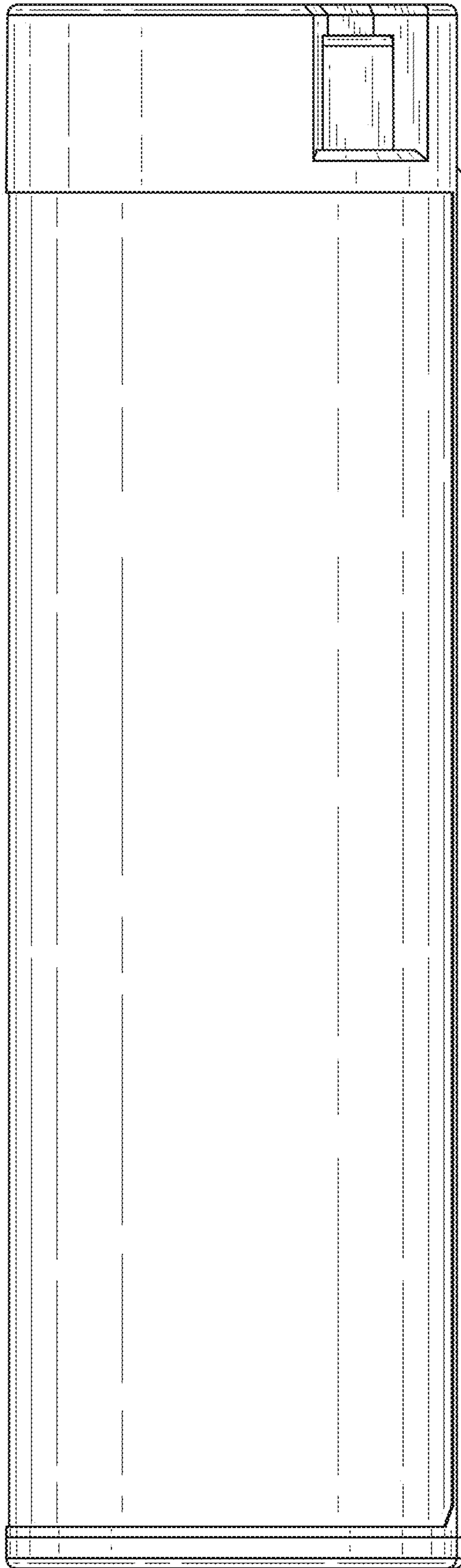


FIG. 6

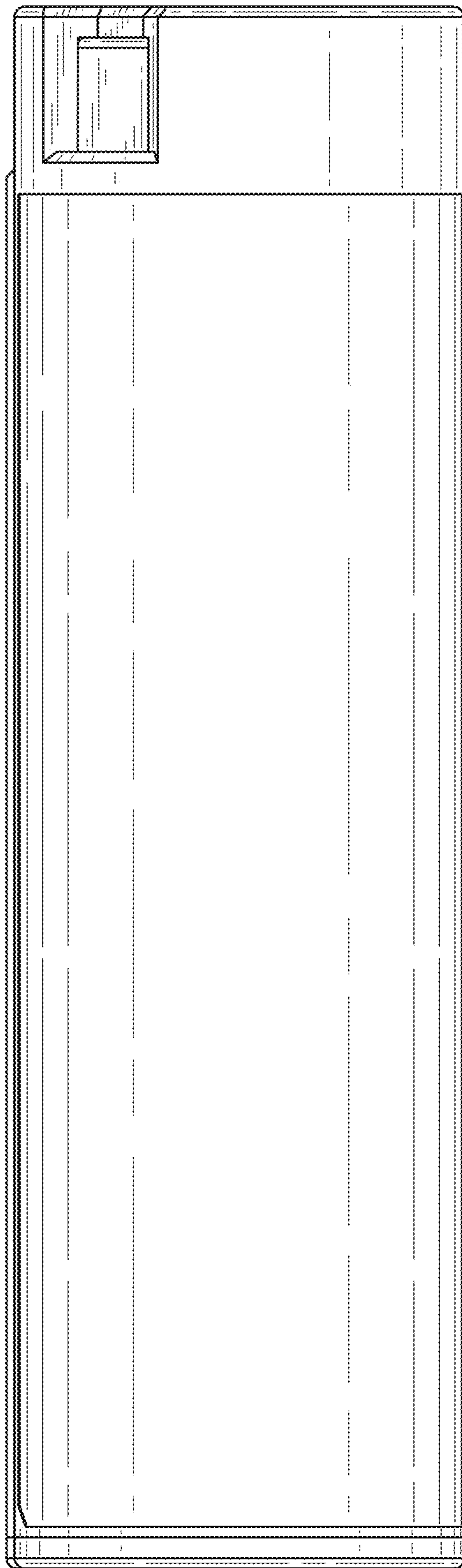


FIG. 7