



US00D899354S

(12) **United States Design Patent** (10) **Patent No.:** **US D899,354 S**
Liu (45) **Date of Patent:** **** Oct. 20, 2020**

(54) **SOLAR POWER BANK**
(71) Applicant: **Yin-Chun Liu**, Anqing (CN)
(72) Inventor: **Yin-Chun Liu**, Anqing (CN)
(**) Term: **15 Years**
(21) Appl. No.: **29/700,809**
(22) Filed: **Aug. 6, 2019**
(51) **LOC (12) Cl.** **13-02**
(52) **U.S. Cl.**
USPC **D13/102**
(58) **Field of Classification Search**
USPC D13/102, 103, 104, 107, 110, 118, 119,
D13/184, 199
CPC Y02B 10/12; Y02E 10/50; Y02E 10/544;
H02S 30/10; H02S 20/04; H01L 31/042;
H01L 31/048; H01L 31/02008
See application file for complete search history.

(56) **References Cited**
U.S. PATENT DOCUMENTS
4,786,851 A * 11/1988 Fuji H02J 7/35
320/101
5,522,943 A * 6/1996 Spencer H01L 31/042
136/245
D479,191 S * 9/2003 Peress D13/102
D617,264 S * 6/2010 Lau D13/102
D628,148 S * 11/2010 English D13/102
D628,534 S * 12/2010 Daniel D13/102

D630,162 S * 1/2011 Bullen D13/102
D708,570 S * 7/2014 Martin D13/102
D724,012 S * 3/2015 Zhan D13/102
D758,299 S * 6/2016 Lafferty D13/102
D770,971 S * 11/2016 Anderson D13/102
D817,866 S * 5/2018 Liu D13/102
2003/0155762 A1 * 8/2003 Gaska B42F 9/005
281/45
2010/0109599 A1 * 5/2010 Lin H02J 7/35
320/101

* cited by examiner

Primary Examiner — Derrick E Holland
(74) *Attorney, Agent, or Firm* — ScienBiziP, P.C.

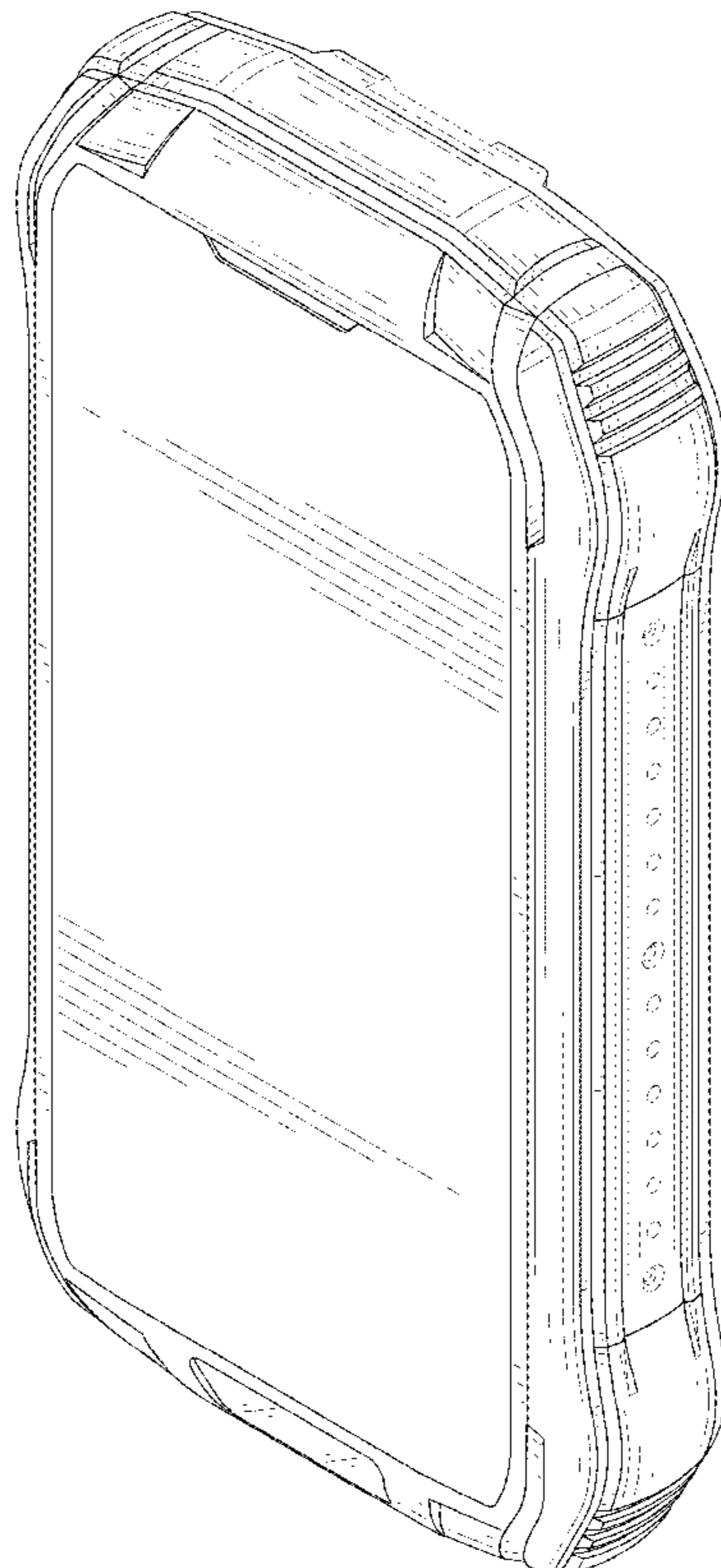
(57) **CLAIM**

The ornamental design for a solar power bank, as shown and described.

DESCRIPTION

FIG. 1 is a first perspective view of a solar power bank, showing my design.
FIG. 2 is a second perspective view thereof.
FIG. 3 is a front elevation view thereof.
FIG. 4 is a rear elevation view thereof.
FIG. 5 is a left side elevation view thereof.
FIG. 6 is a right side elevation view thereof.
FIG. 7 is a top plan view thereof; and,
FIG. 8 is a bottom plan view thereof.
The broken lines shown represent the portions of the solar power bank that form no part of the claimed design.

1 Claim, 8 Drawing Sheets



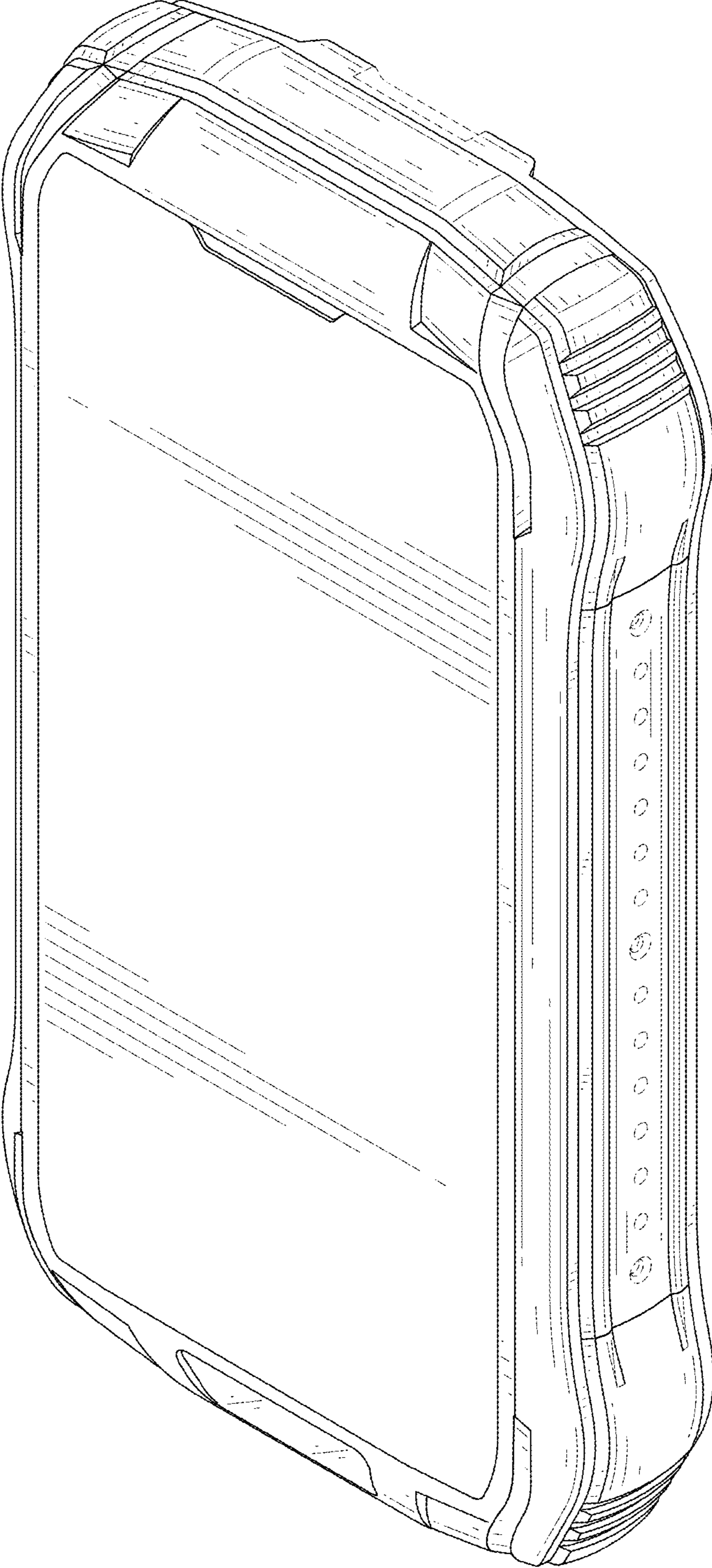


FIG. 1

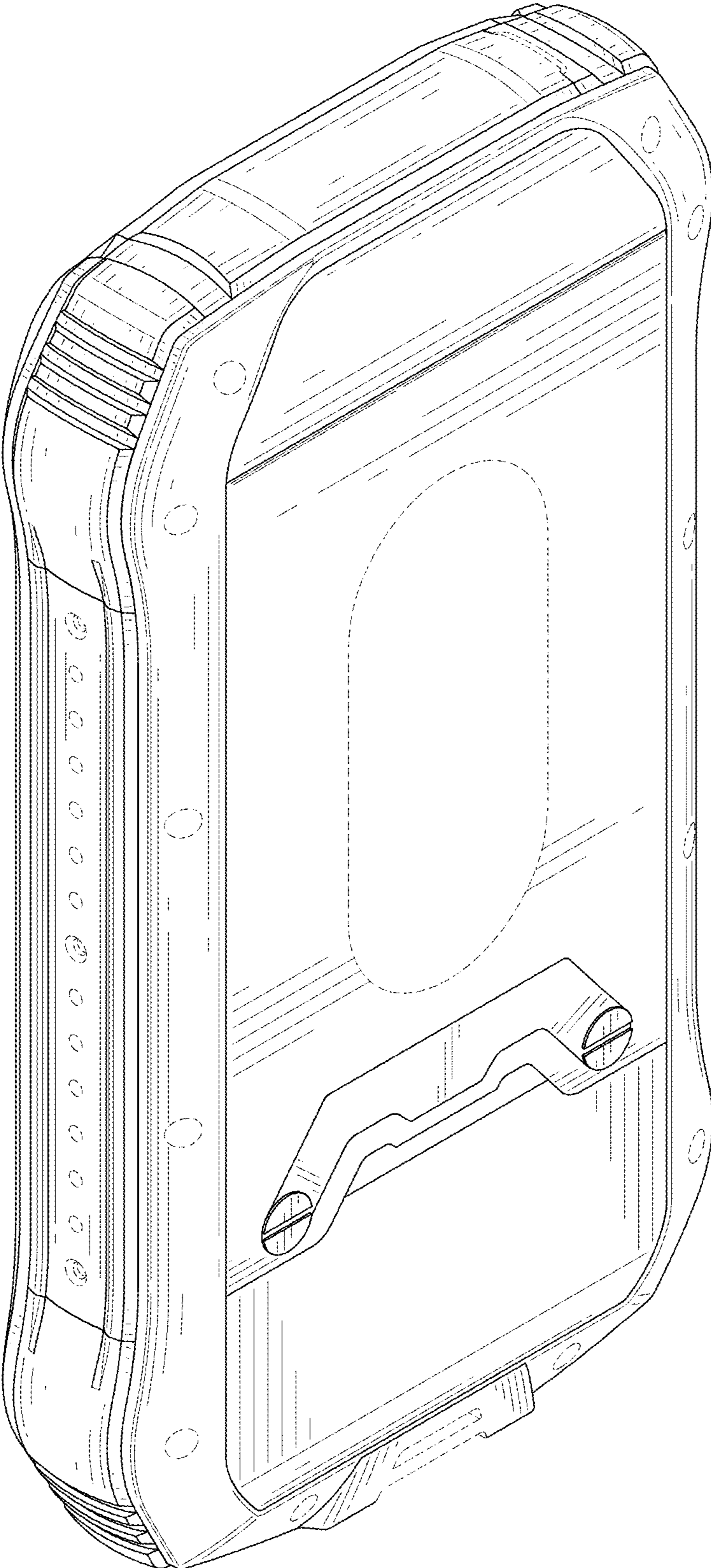


FIG. 2

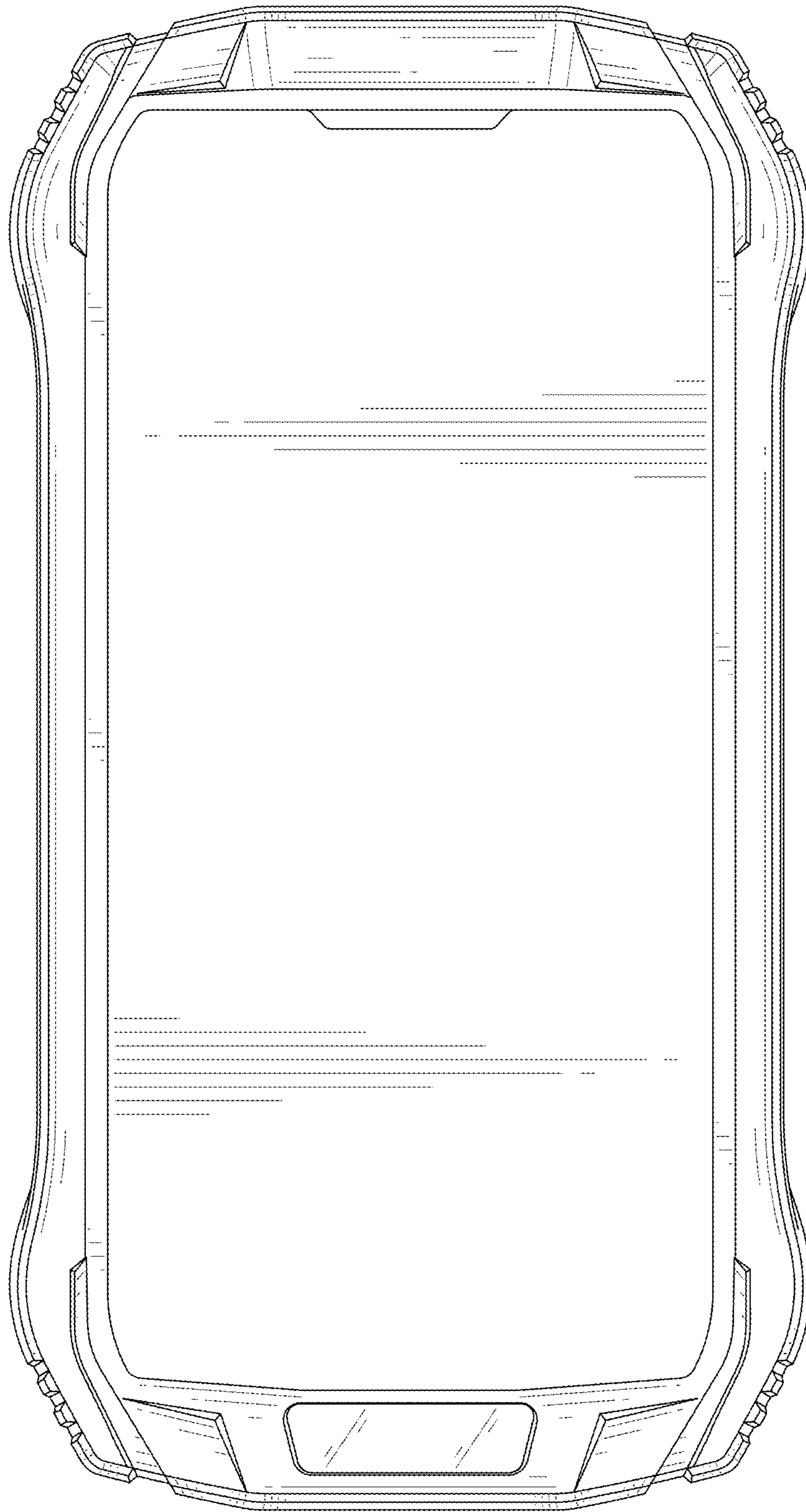


FIG. 3

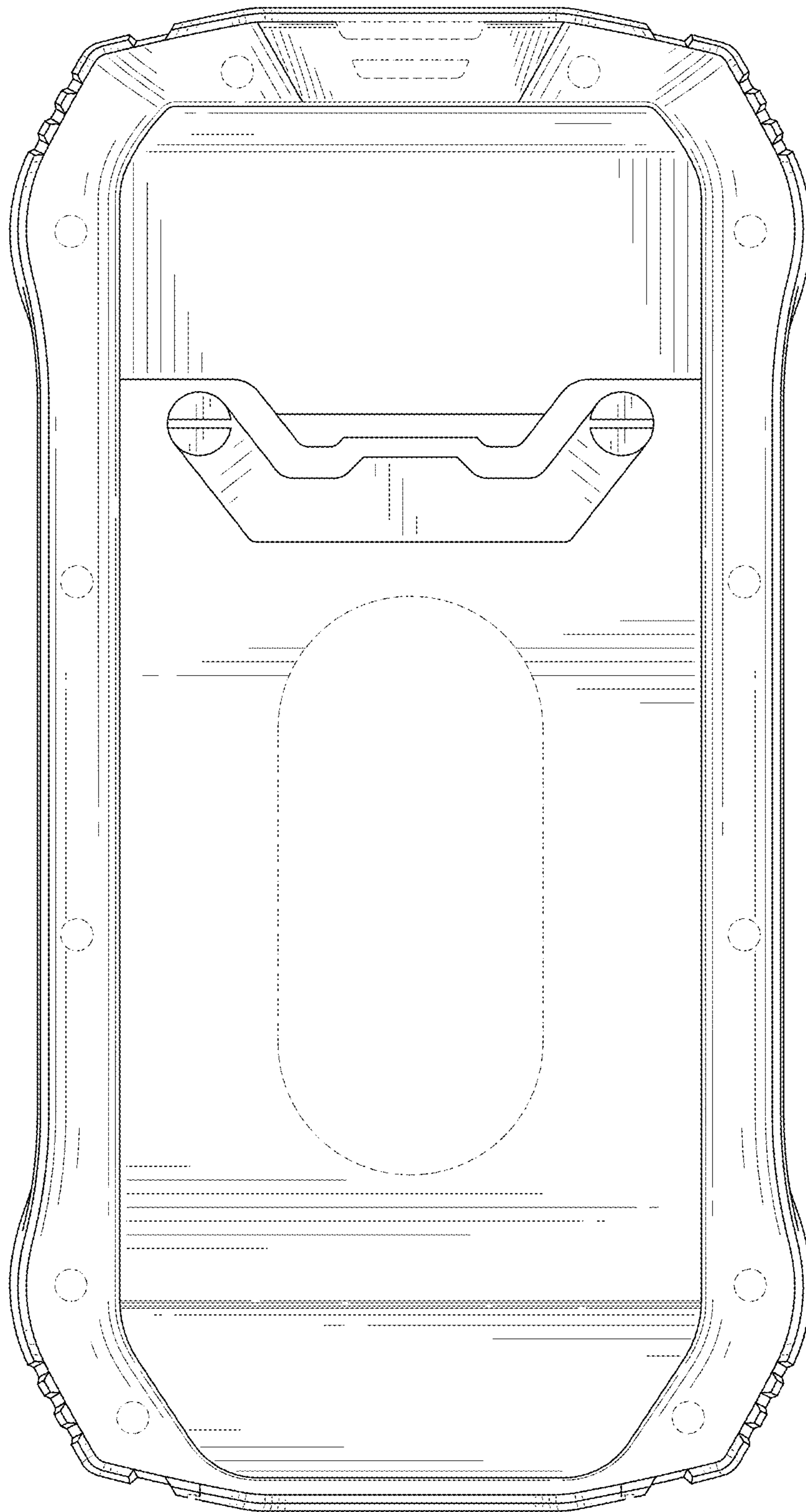


FIG. 4

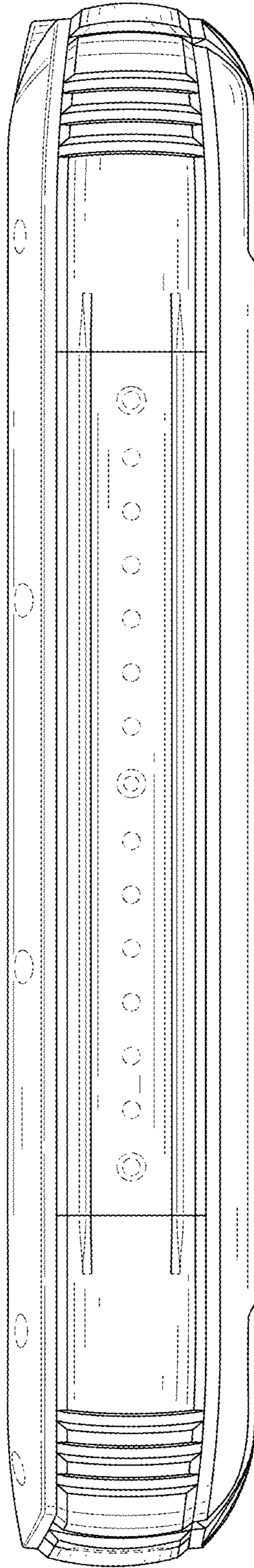


FIG. 5

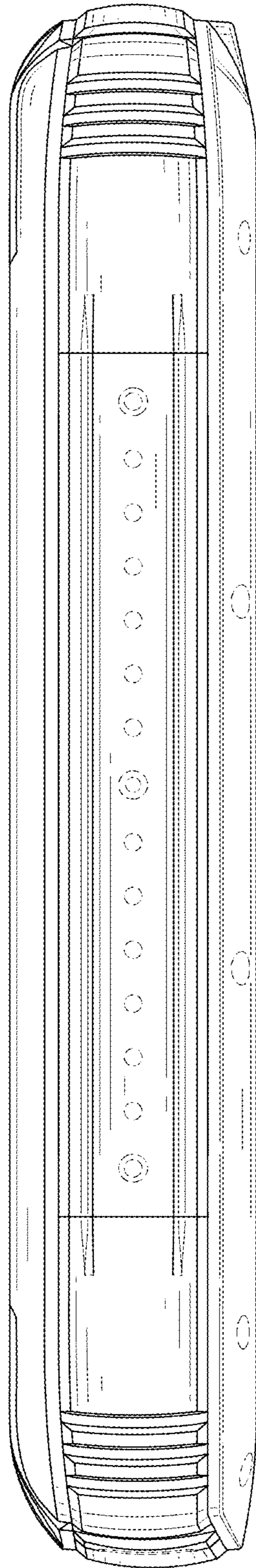


FIG. 6

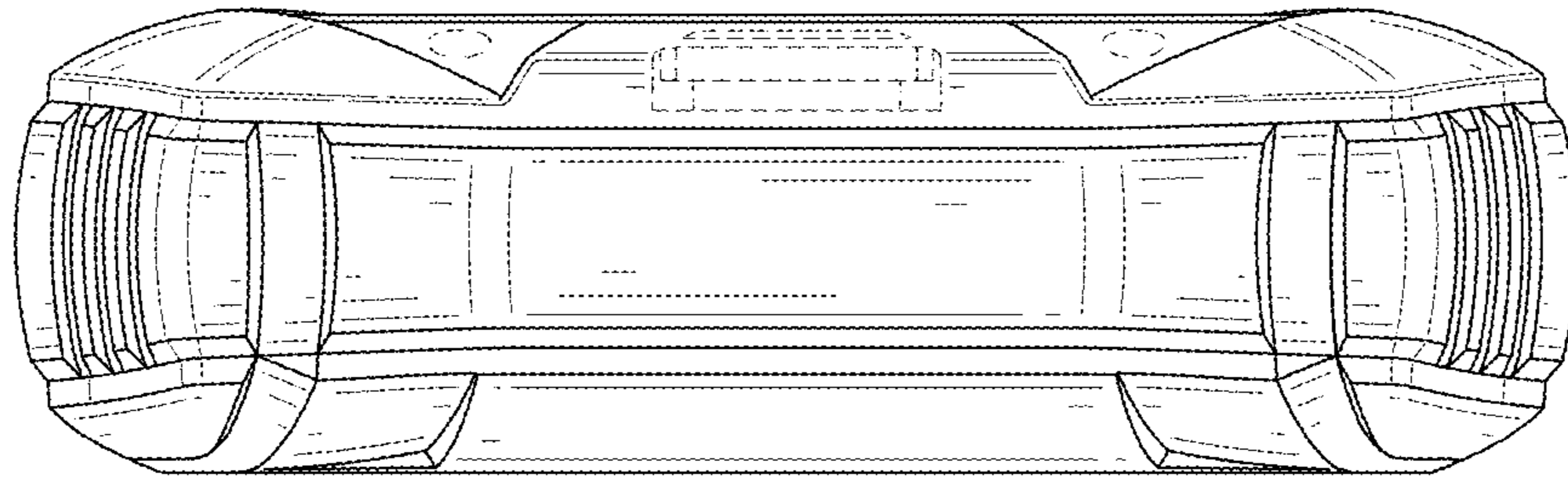


FIG. 7

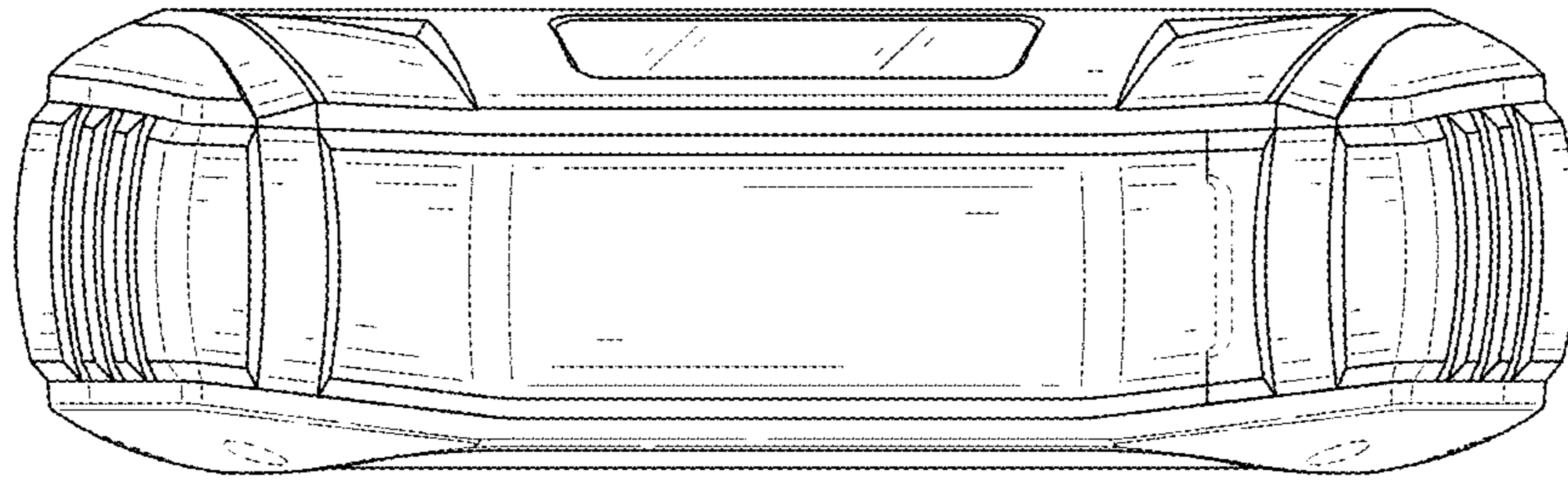


FIG. 8