



US00D899353S

(12) **United States Design Patent**
Imai et al.

(10) **Patent No.:** **US D899,353 S**

(45) **Date of Patent:** **** Oct. 20, 2020**

(54) **SHIELD FOR CONCENTRATOR
PHOTOVOLTAIC MODULE**

(71) Applicant: **SUMITOMO ELECTRIC
INDUSTRIES, LTD.**, Osaka (JP)

(72) Inventors: **Ryusuke Imai**, Osaka (JP); **Kenji
Saito**, Osaka (JP); **Youichi Nagai**,
Osaka (JP)

(73) Assignee: **Sumitomo Electric Industries, Ltd.**,
Osaka-shi (JP)

(**) Term: **15 Years**

(21) Appl. No.: **29/685,101**

(22) Filed: **Mar. 26, 2019**

(30) **Foreign Application Priority Data**

Sep. 26, 2018 (JP) 2018-020960

(51) **LOC (12) Cl.** **13-02**

(52) **U.S. Cl.**
USPC **D13/102**

(58) **Field of Classification Search**
USPC D13/102, 101, 118, 182, 184, 199;
D6/329, 332, 491, 492; D7/405;
D15/28; D25/53, 54, 56, 61; 52/3, 74,
52/78, 90.1, 91.1; 135/91, 93, 120.1,
135/120.3; 136/243, 246, 257; 165/135;
361/800, 816
CPC H01L 31/048; H01L 31/0482; H01L
31/02008; H02S 20/23; F21V 29/89
See application file for complete search history.

(56) **References Cited**

U.S. PATENT DOCUMENTS

D244,537 S * 5/1977 Riley D13/102
D331,350 S * 12/1992 Hing D7/324

D391,632 S * 3/1998 Thomas D23/373
D516,017 S * 2/2006 Mascolo D13/102
D631,431 S * 1/2011 DeFelice D13/102
9,281,430 B2 * 3/2016 Carolan H01L 31/048
9,608,151 B2 * 3/2017 Barna H01L 31/02008
2011/0041888 A1 * 2/2011 Levine H02S 20/23
136/244
2012/0069571 A1 * 3/2012 Hochstein F21V 29/89
362/249.02

* cited by examiner

Primary Examiner — Derrick E Holland

(74) *Attorney, Agent, or Firm* — Baker Botts L.L.P.;
Michael A. Sartori

(57) **CLAIM**

The ornamental design for a shield for concentrator photo-
voltaic module, as shown and described.

DESCRIPTION

FIG. 1 is a front view of a shield for concentrator photo-
voltaic module showing our new design;
FIG. 2 is a rear view thereof;
FIG. 3 is a right side view thereof;
FIG. 4 is a left side view thereof;
FIG. 5 is a top view thereof;
FIG. 6 is a bottom view thereof;
FIG. 7 is a first perspective view thereof;
FIG. 8 is a second perspective view thereof; and,
FIG. 9 is an enlarged view of portion 9 of FIG. 5.
The broken lines shown in the drawings represent portions
of the shield for concentrator photovoltaic module that form
no part of the claimed design.

1 Claim, 5 Drawing Sheets

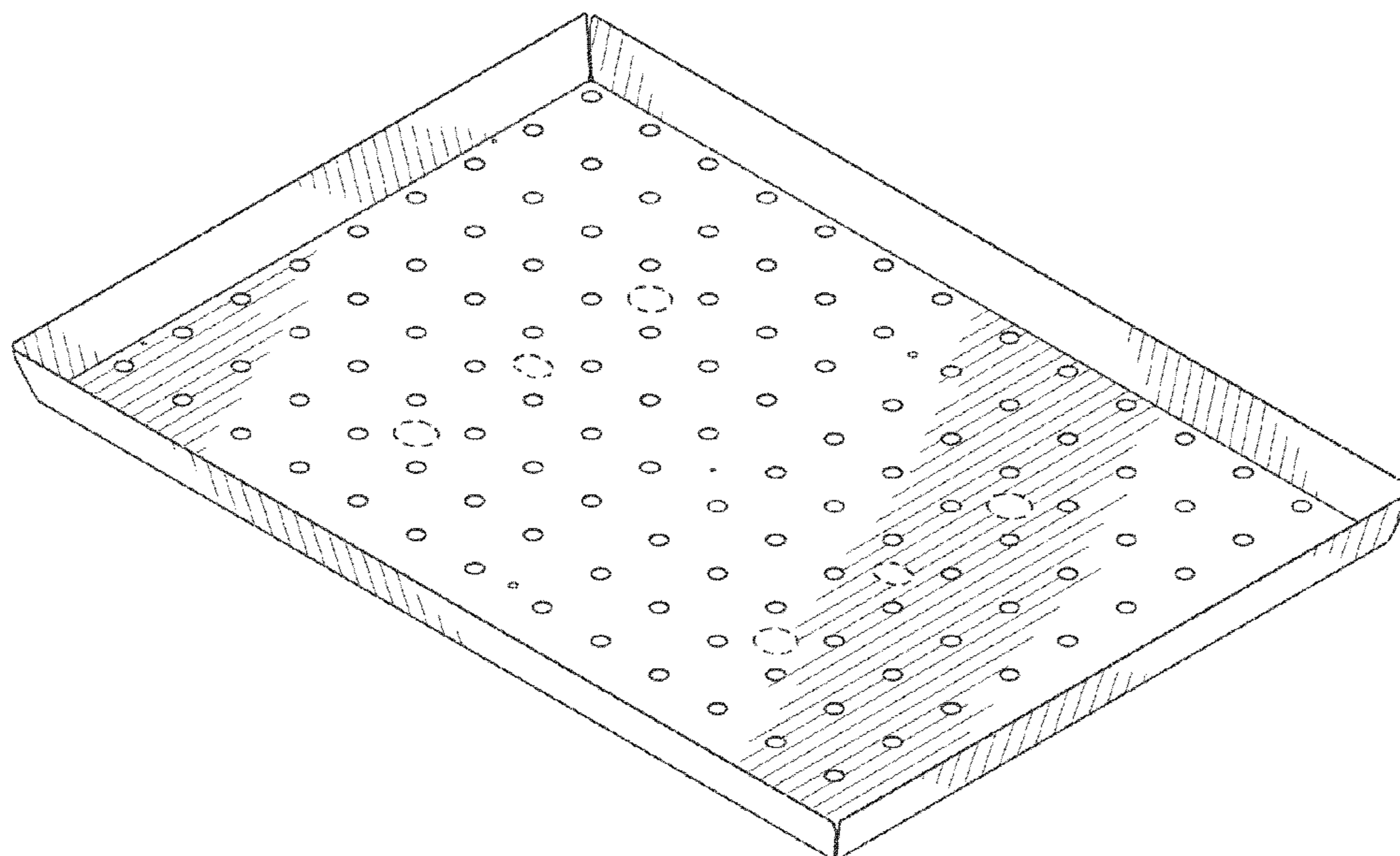


FIG.1



FIG.2



FIG.3



FIG.4



FIG.5

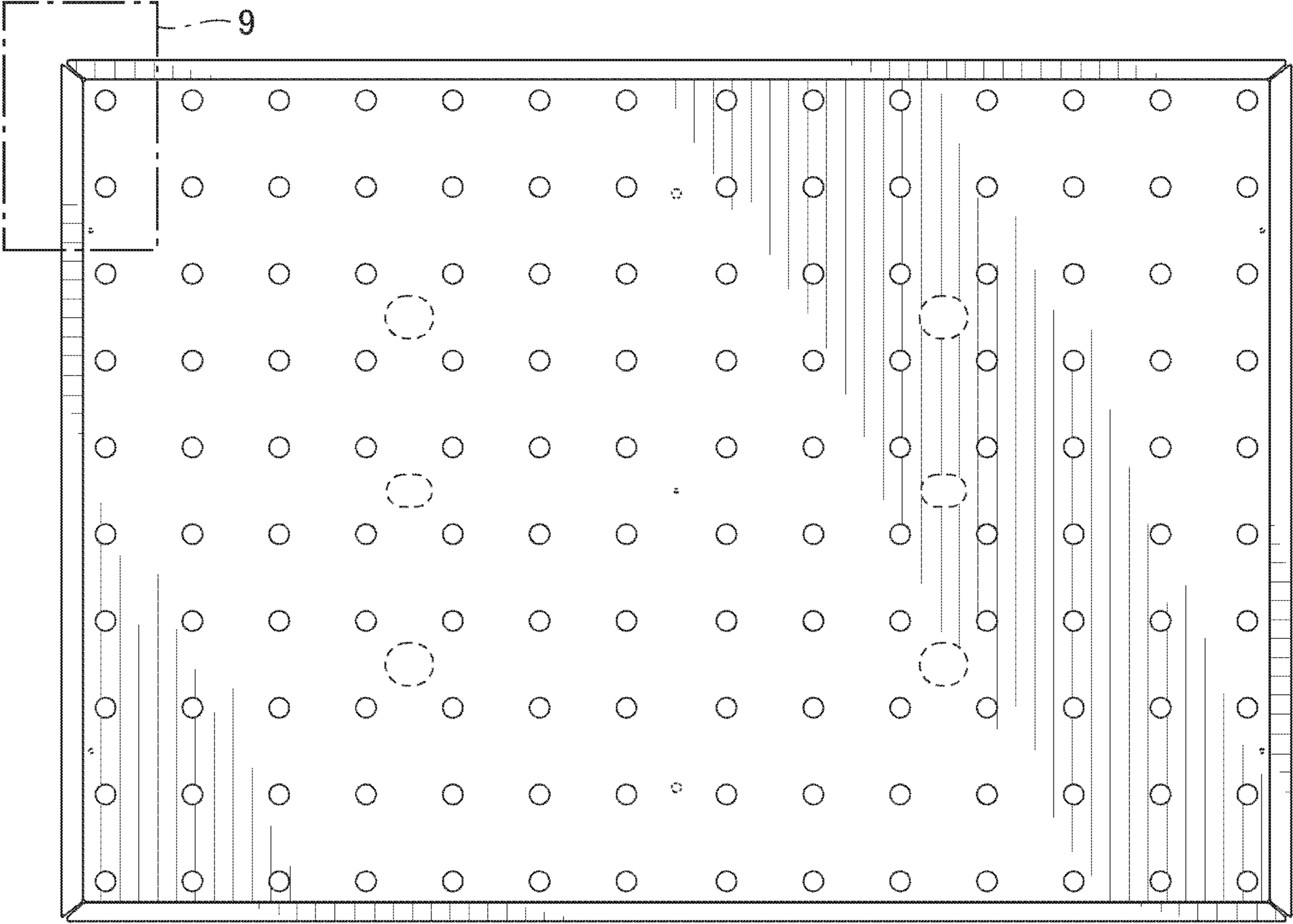


FIG.6

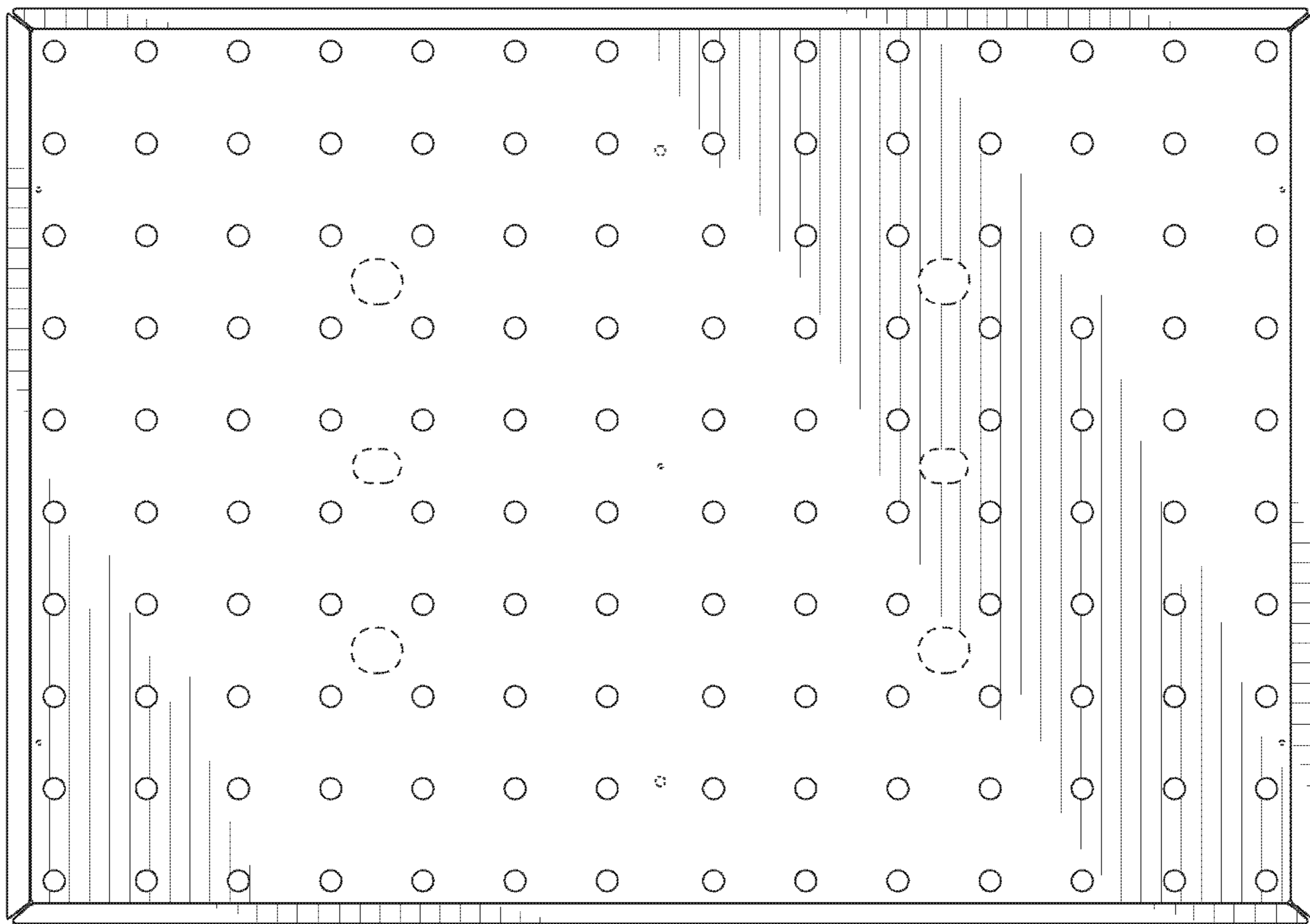


FIG.7

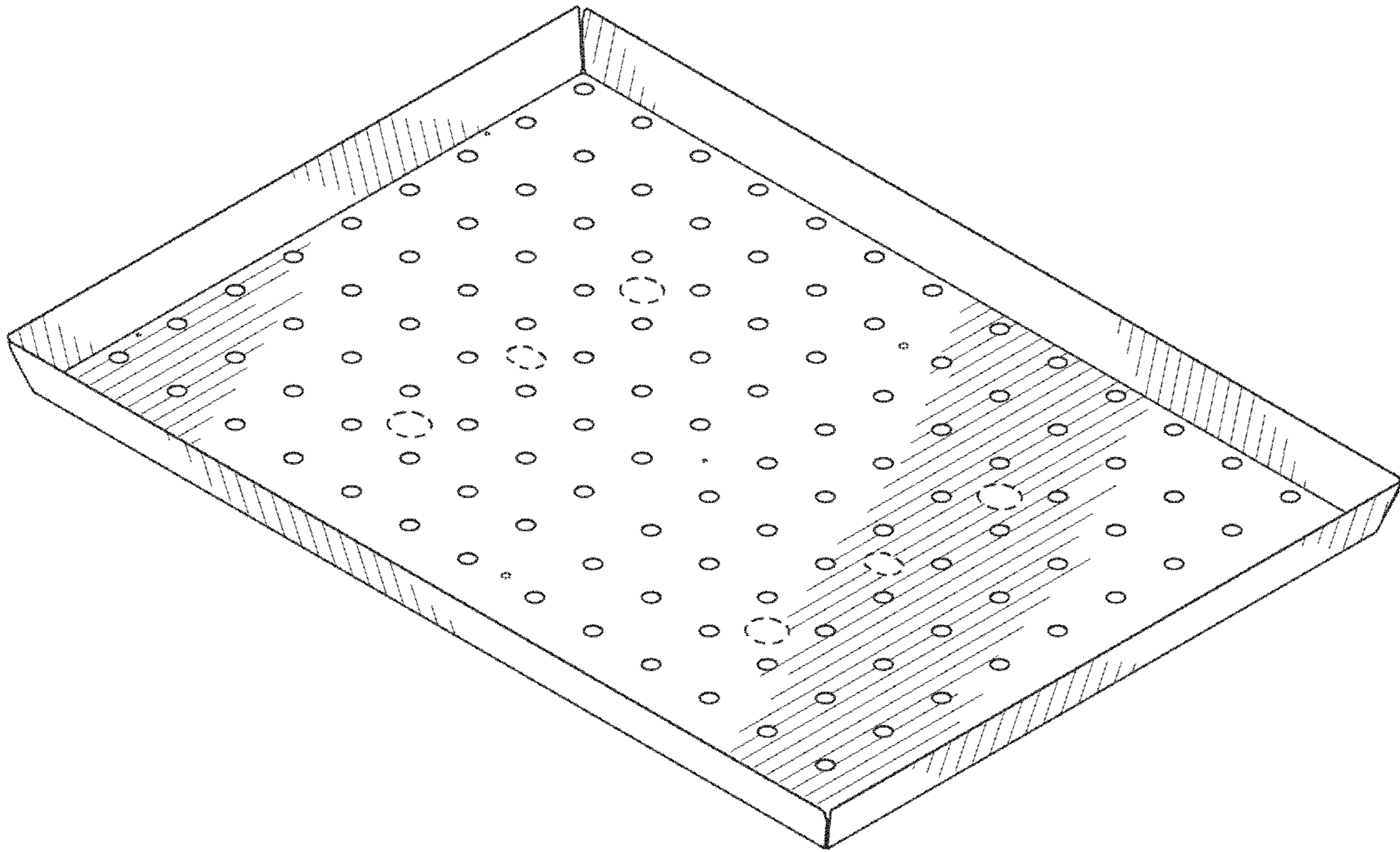


FIG.8

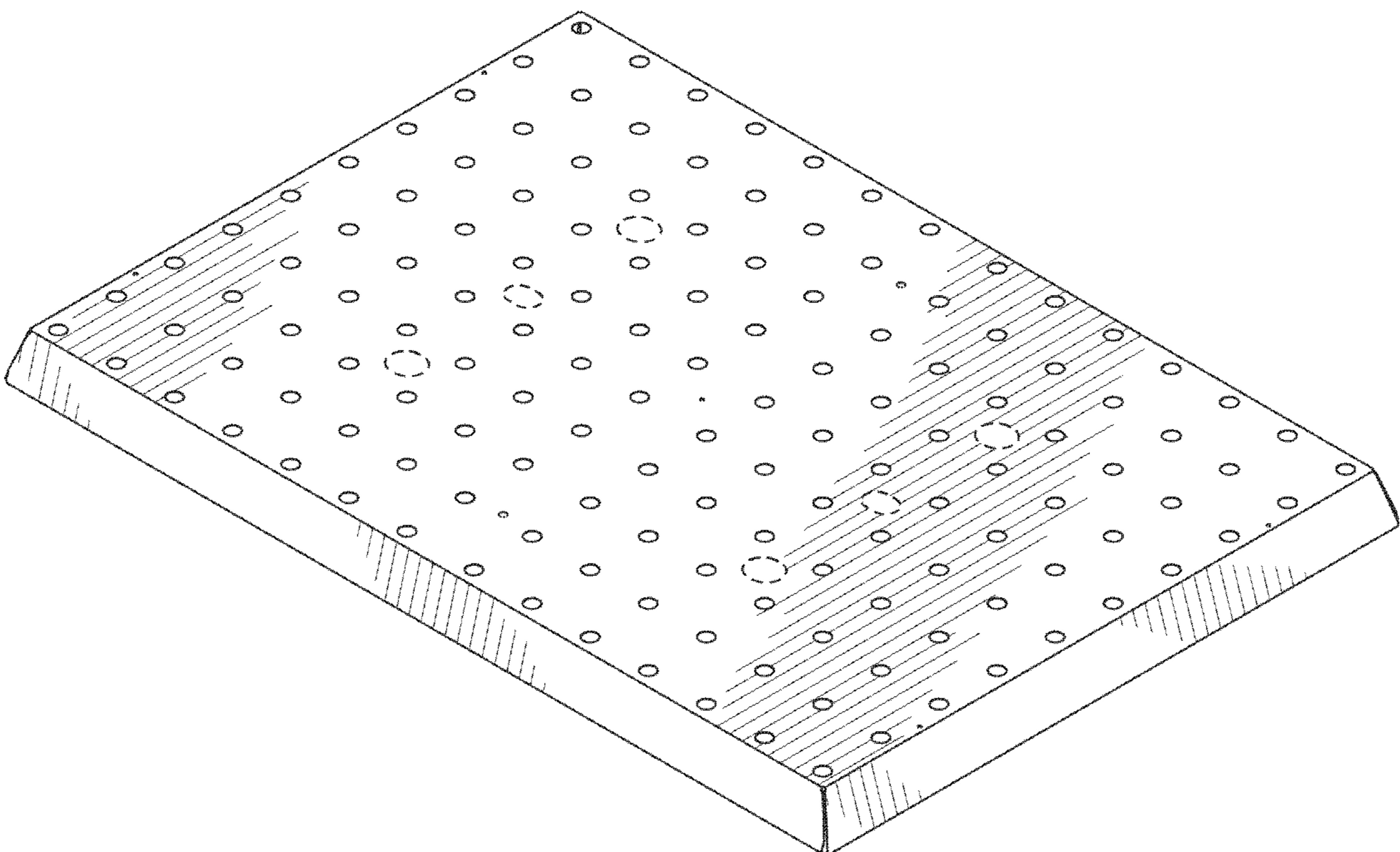


FIG.9

