



US00D899352S

(12) **United States Design Patent**
Gong

(10) **Patent No.:** **US D899,352 S**

(45) **Date of Patent:** **** Oct. 20, 2020**

(54) **SOLAR PANEL**

(71) Applicant: **Yelin Gong, Jiangxi (CN)**

(72) Inventor: **Yelin Gong, Jiangxi (CN)**

(**) Term: **15 Years**

(21) Appl. No.: **29/678,582**

(22) Filed: **Jan. 30, 2019**

(51) **LOC (12) Cl.** **13-02**

(52) **U.S. Cl.**

USPC **D13/102**

(58) **Field of Classification Search**

USPC D13/102, 101, 110, 133, 182, 199;
126/561, 566, 569, 571; 136/243-247,
136/251, 252, 254, 256; D9/454;
D14/216, 217; D26/24, 67, 139
CPC Y02E 10/40; Y02E 10/44; Y02E 10/52;
Y02E 10/542; Y02E 10/544; E04H 4/08;
F24J 2/38; F24J 2/0472; F24J 2/542;
H01L 31/00; H01L 31/042; H01L 31/045;
H01L 31/048; H01L 31/052; H01L
31/184; H01L 31/0232; H01L 31/0508;
H01L 31/0512; H01L 31/0543; H01L
51/0061

See application file for complete search history.

(56) **References Cited**

U.S. PATENT DOCUMENTS

D353,130 S * 12/1994 Aldrich D13/102
D562,224 S * 2/2008 Bonnaud D13/102

D563,866 S * 3/2008 Bonnaud D13/102
D602,856 S * 10/2009 Lu D13/102
D642,722 S * 8/2011 Oberpriller D26/67
D723,213 S * 2/2015 Campagna D26/139
D822,253 S * 7/2018 Wu D26/68
2008/0158865 A1* 7/2008 Chen F21V 21/0824
362/183
2012/0134143 A1* 5/2012 Lederer F21S 9/037
362/183
2018/0283630 A1* 10/2018 Soofer G02B 6/0008

* cited by examiner

Primary Examiner — Derrick E Holland

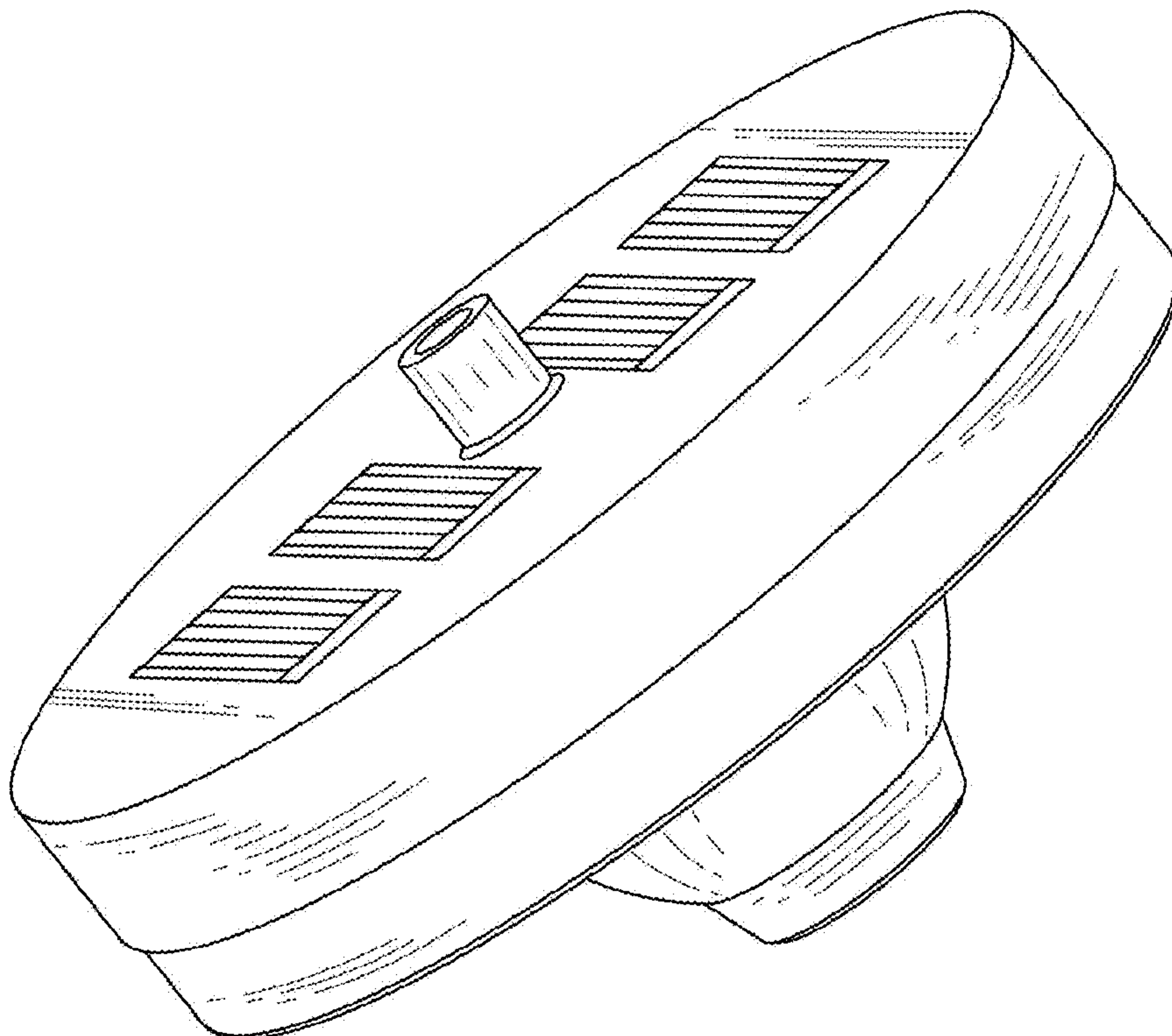
(57) **CLAIM**

The ornamental design for a solar panel, as shown and described.

DESCRIPTION

FIG. 1 is a top perspective view of a solar panel showing my new design;
FIG. 2 is a bottom perspective view thereof;
FIG. 3 is a front elevation view thereof;
FIG. 4 is a rear elevation view thereof;
FIG. 5 is a left side elevation view thereof;
FIG. 6 is a right side elevation view thereof;
FIG. 7 is a top plan view thereof;
FIG. 8 is a bottom plan view thereof; and,
FIG. 9 is another top perspective view thereof, shown in environmental use.
The broken lines illustrate the environment only that form no part of the claimed design.

1 Claim, 9 Drawing Sheets



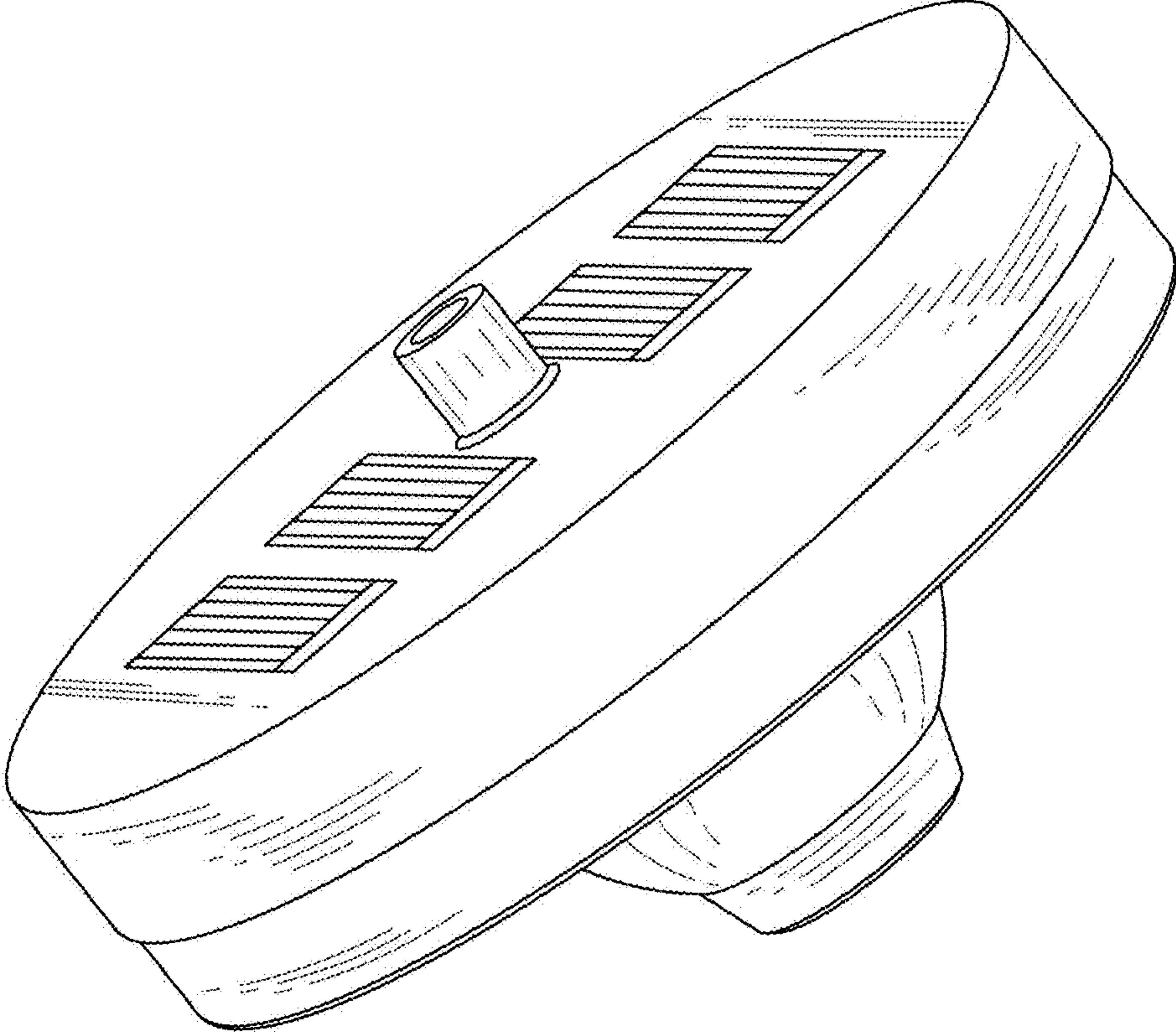


FIG.1

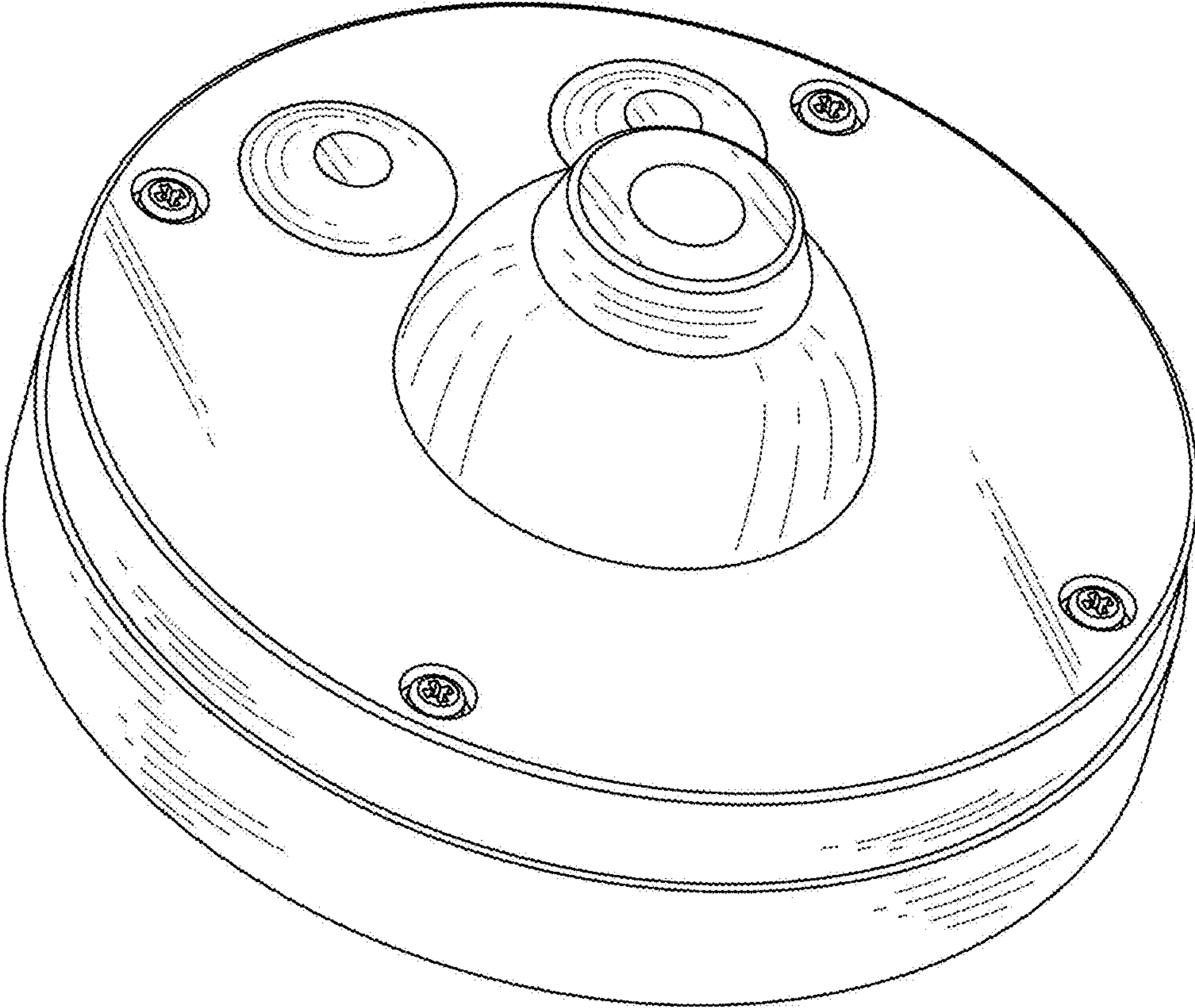


FIG.2

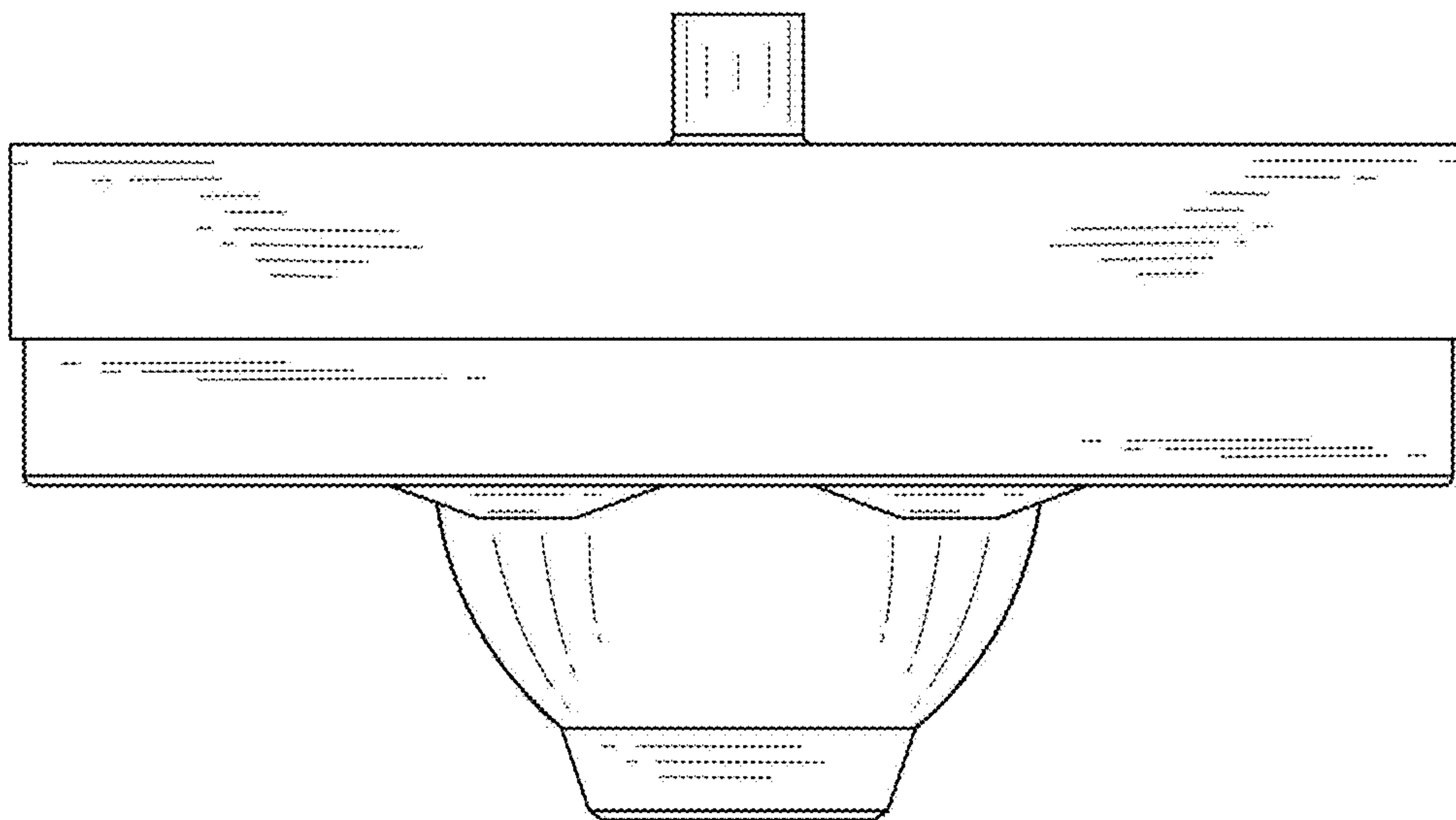


FIG.3

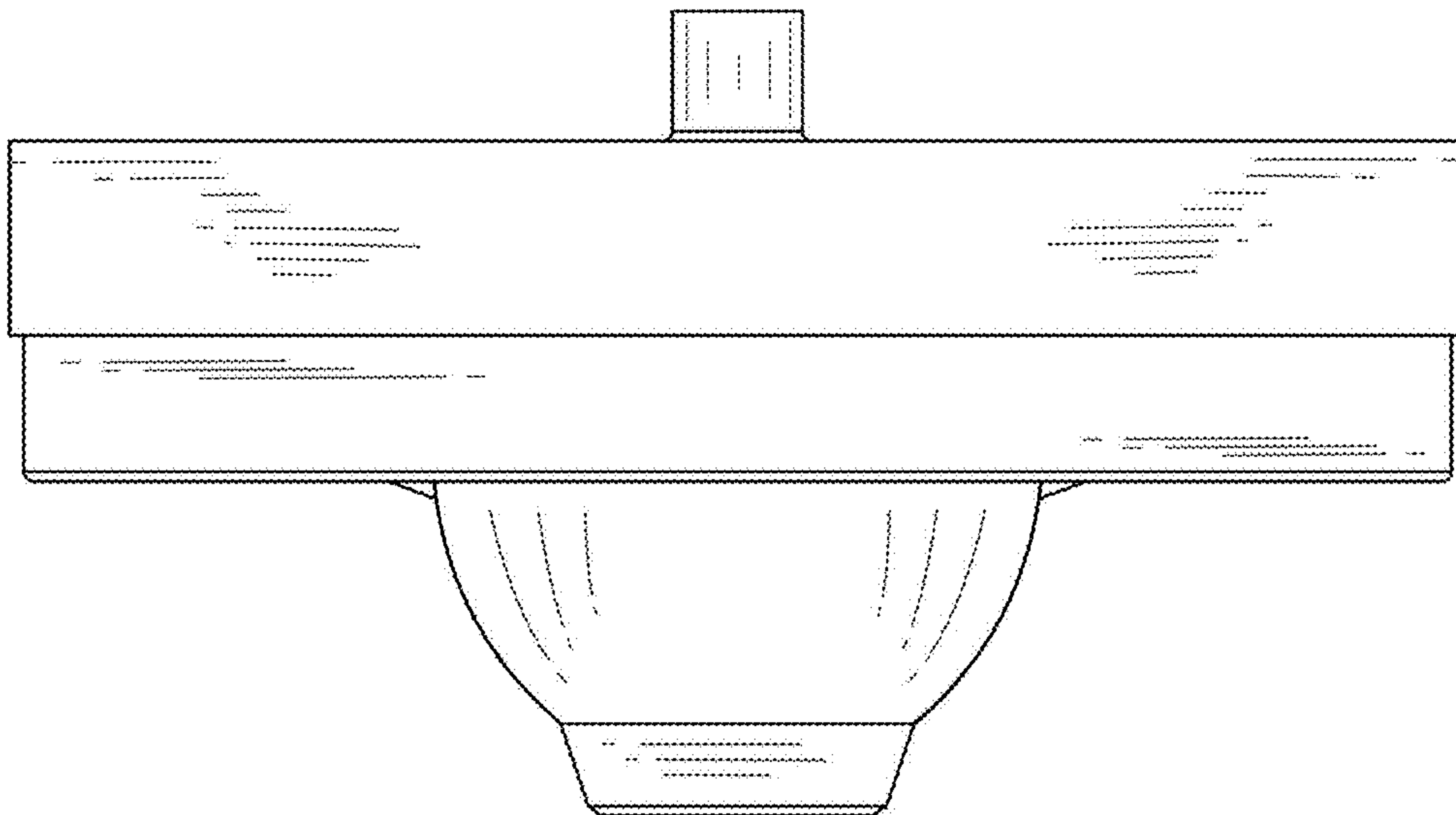


FIG.4

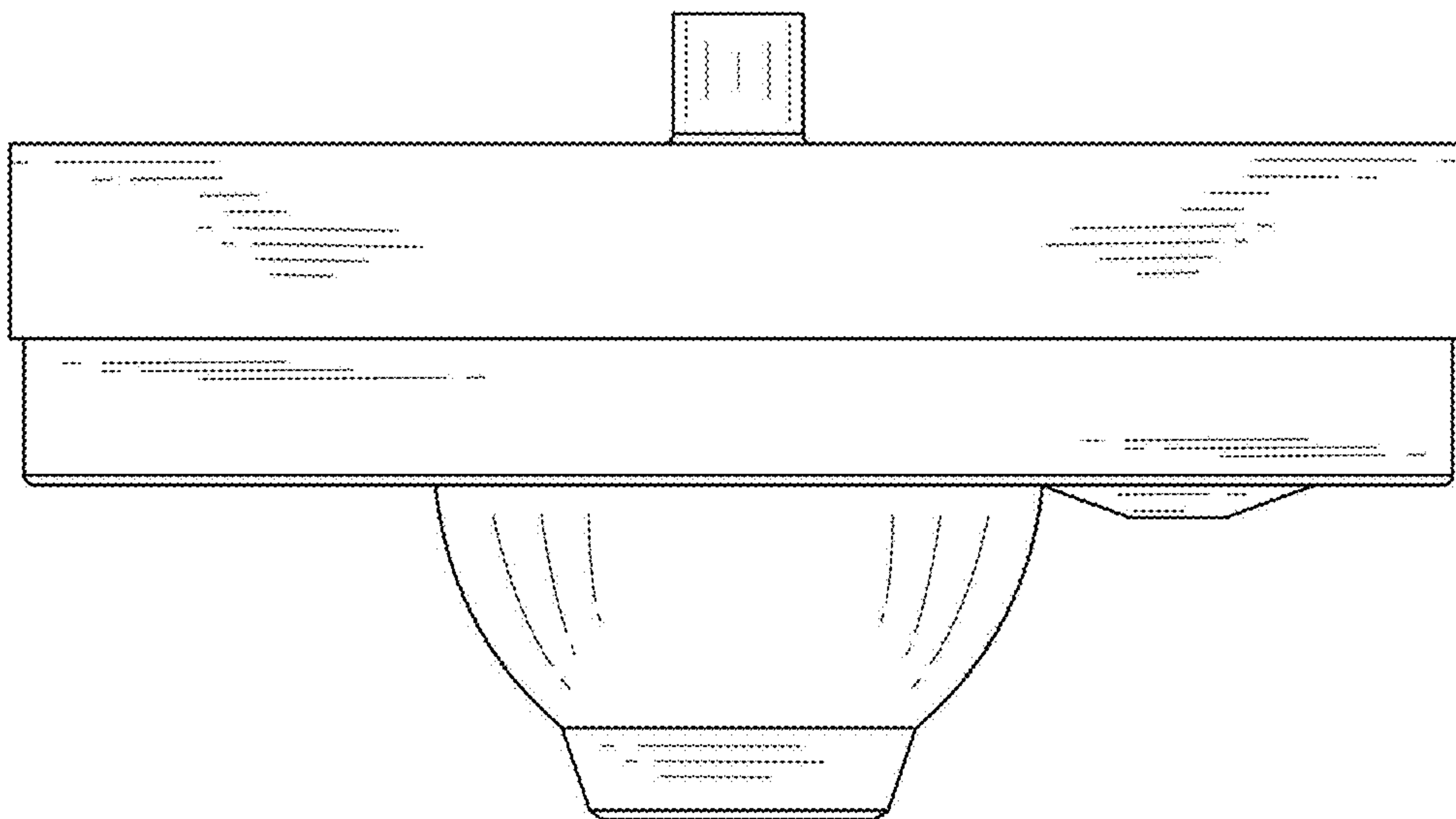


FIG.5

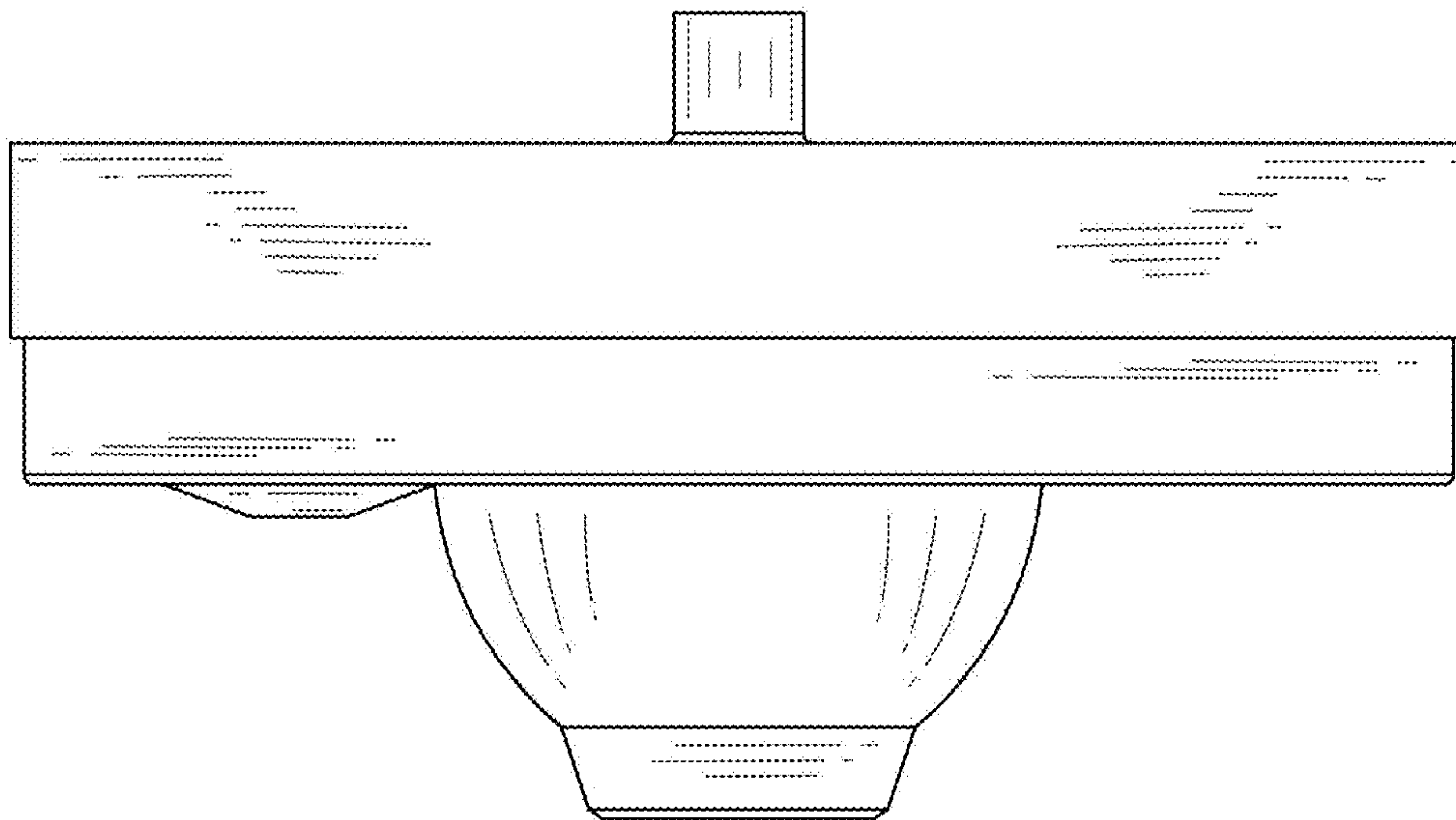


FIG.6

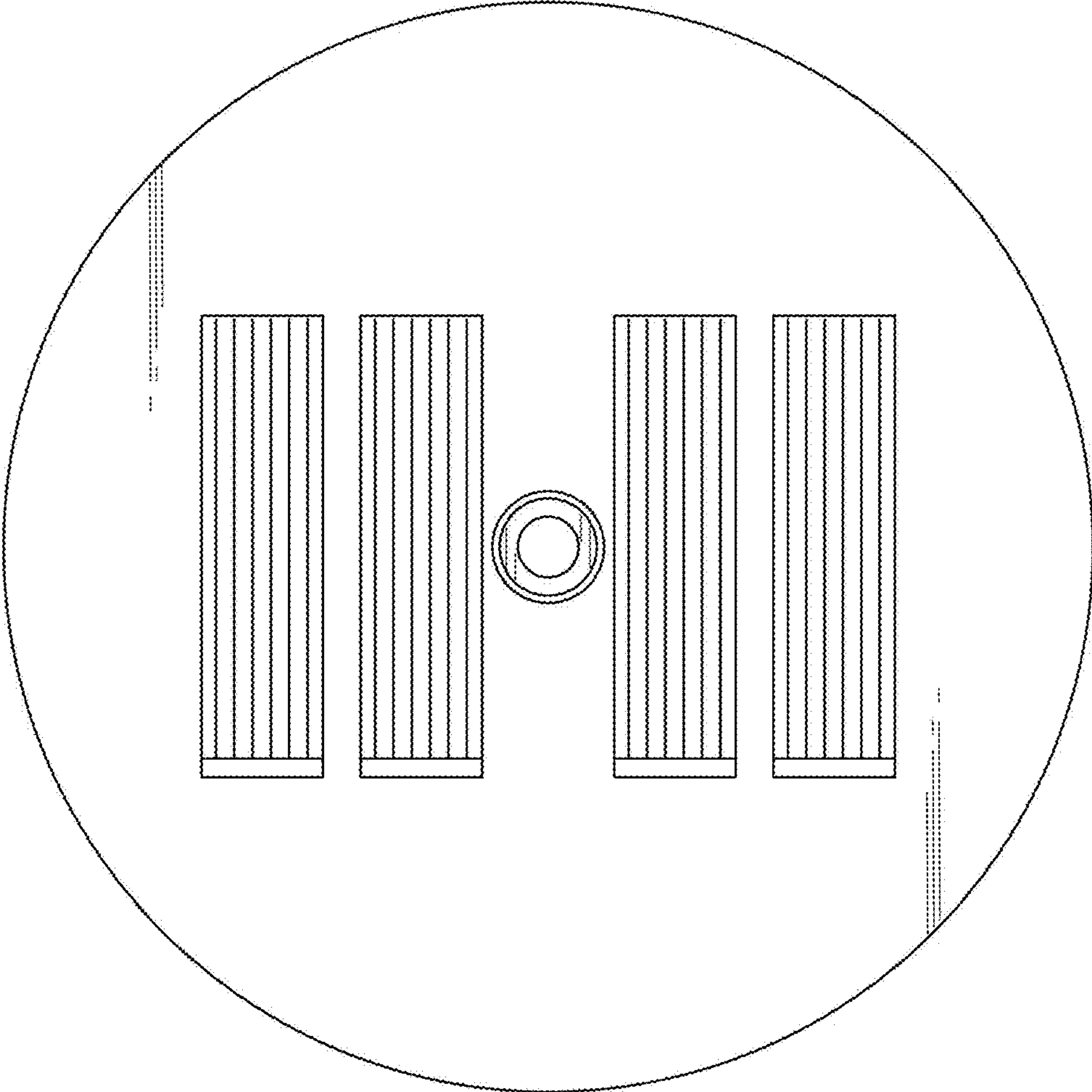


FIG.7

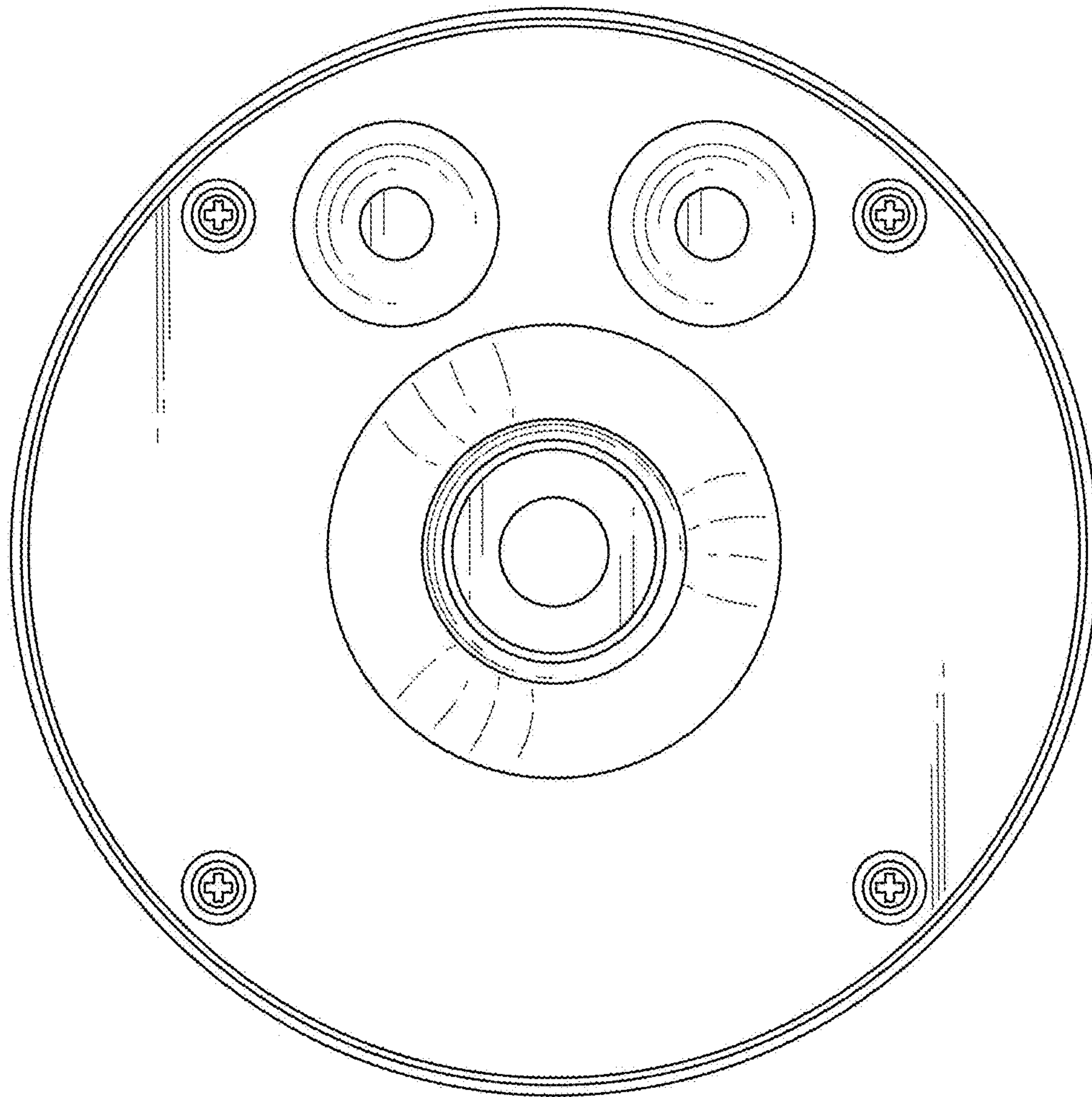


FIG. 8

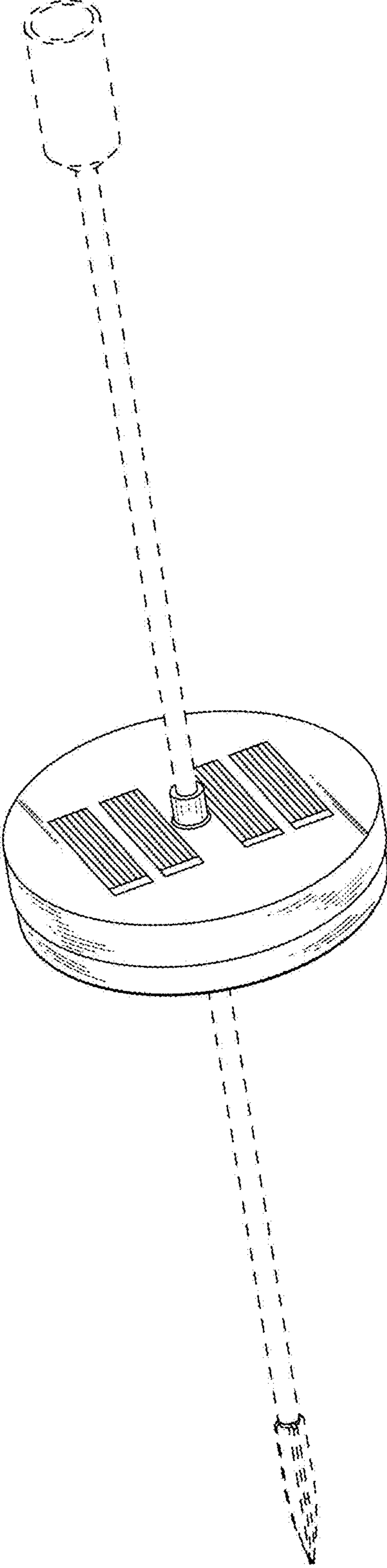


FIG. 9