



US00D899343S

(12) **United States Design Patent** (10) **Patent No.:** **US D899,343 S**
Xiao (45) **Date of Patent:** **** Oct. 20, 2020**

- (54) **PROPELLER THROUGH-HOLE**
- (71) Applicant: **Hengzhi Xiao**, Zhejiang (CN)
- (72) Inventor: **Hengzhi Xiao**, Zhejiang (CN)
- (73) Assignee: **XIANGSHAN GEMFAN HOBBY CO., LTD.**, Ningbo, Zhejiang (CN)
- (**) Term: **15 Years**
- (21) Appl. No.: **29/686,868**
- (22) Filed: **Apr. 8, 2019**
- (51) **LOC (12) Cl.** **12-16**
- (52) **U.S. Cl.**
USPC **D12/214**
- (58) **Field of Classification Search**
USPC D12/16.1, 214, 317, 319, 328, 330, 344,
D12/345, 400; D15/4, 5, 139; D21/441;
D23/411, 413, 115, 139
CPC B63H 1/20; B63H 23/34; B63H 2023/342;
B64C 27/32
See application file for complete search history.

(56) **References Cited**

U.S. PATENT DOCUMENTS

D137,473 S *	3/1944	Birsh	D12/214
D142,610 S *	10/1945	Annesley	D12/345
D202,151 S *	8/1965	Craig	D12/214
D310,812 S *	9/1990	Bergeron	D12/214
D468,680 S *	1/2003	Lee, Jr.	D12/317
D576,540 S *	9/2008	Tymark	D12/214
D578,460 S *	10/2008	Tymark	D12/214
D622,207 S *	8/2010	Pelini	D12/400
D632,384 S *	2/2011	Pan	D23/411
D803,384 S *	11/2017	Wang	D23/411
D805,017 S *	12/2017	Wang	D12/214

OTHER PUBLICATIONS

Uxcell UNC Round Die, posted on amazon.com, available Jun. 6, 2019, no production date available, [online], [site visited May 18,

2020], Available on Internet, URL: <https://amzn.to/2zcxQxp> (Year: 2019).*

Coarse HSS Die, posted on cutwel.co.uk, no posted date given, no production date given, [online], [site visited May 18, 2020], Available on Internet, URL: <https://www.cutwel.co.uk/threading/dies-and-diestocks/solid-dies-gun-nose/metric-coarse-hss-circular-solid-die-with-gun-nose-presto-64000-serie> (Year: 2020).*

* cited by examiner

Primary Examiner — Michael C Stout
Assistant Examiner — Fitzgerald L Butac

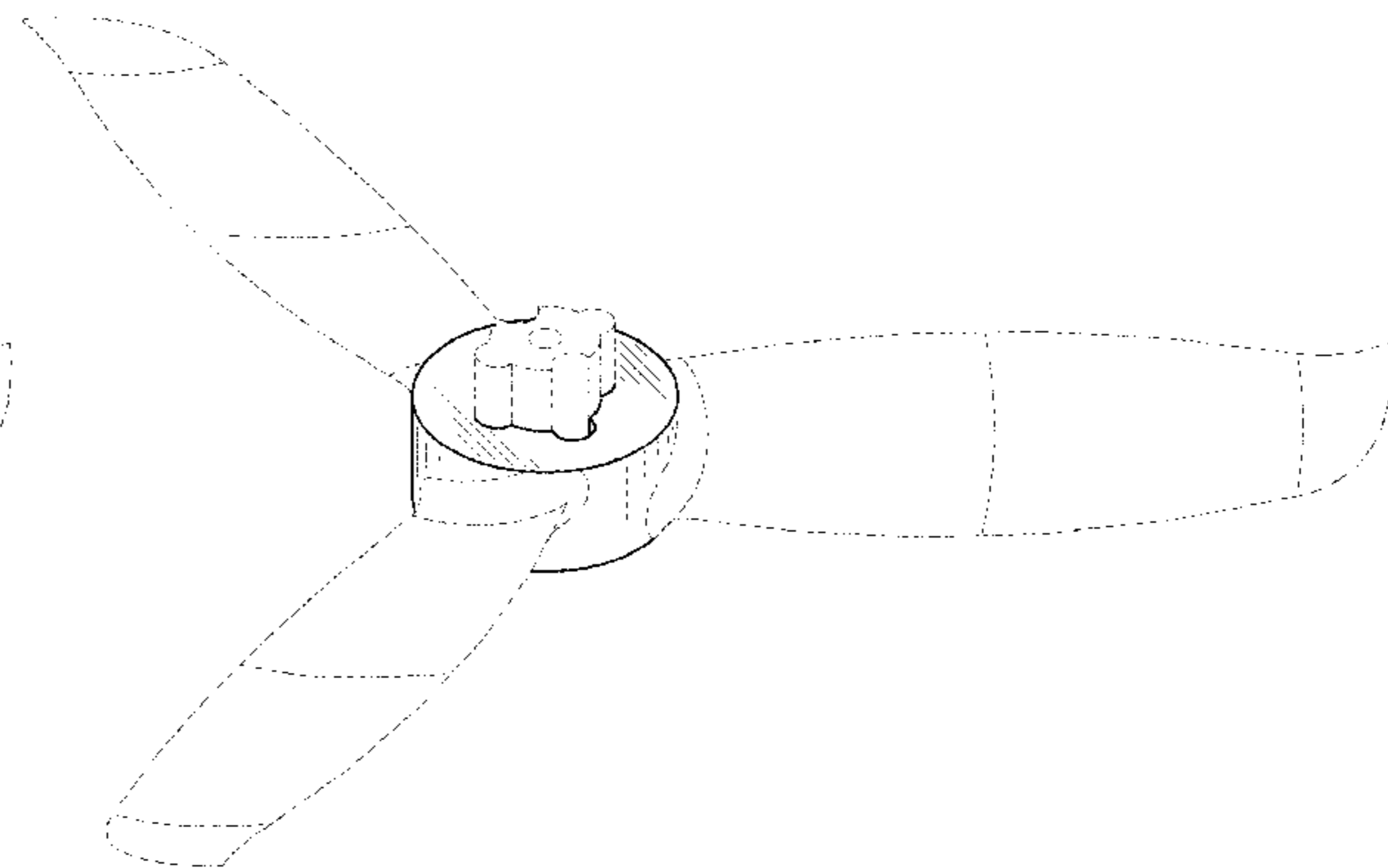
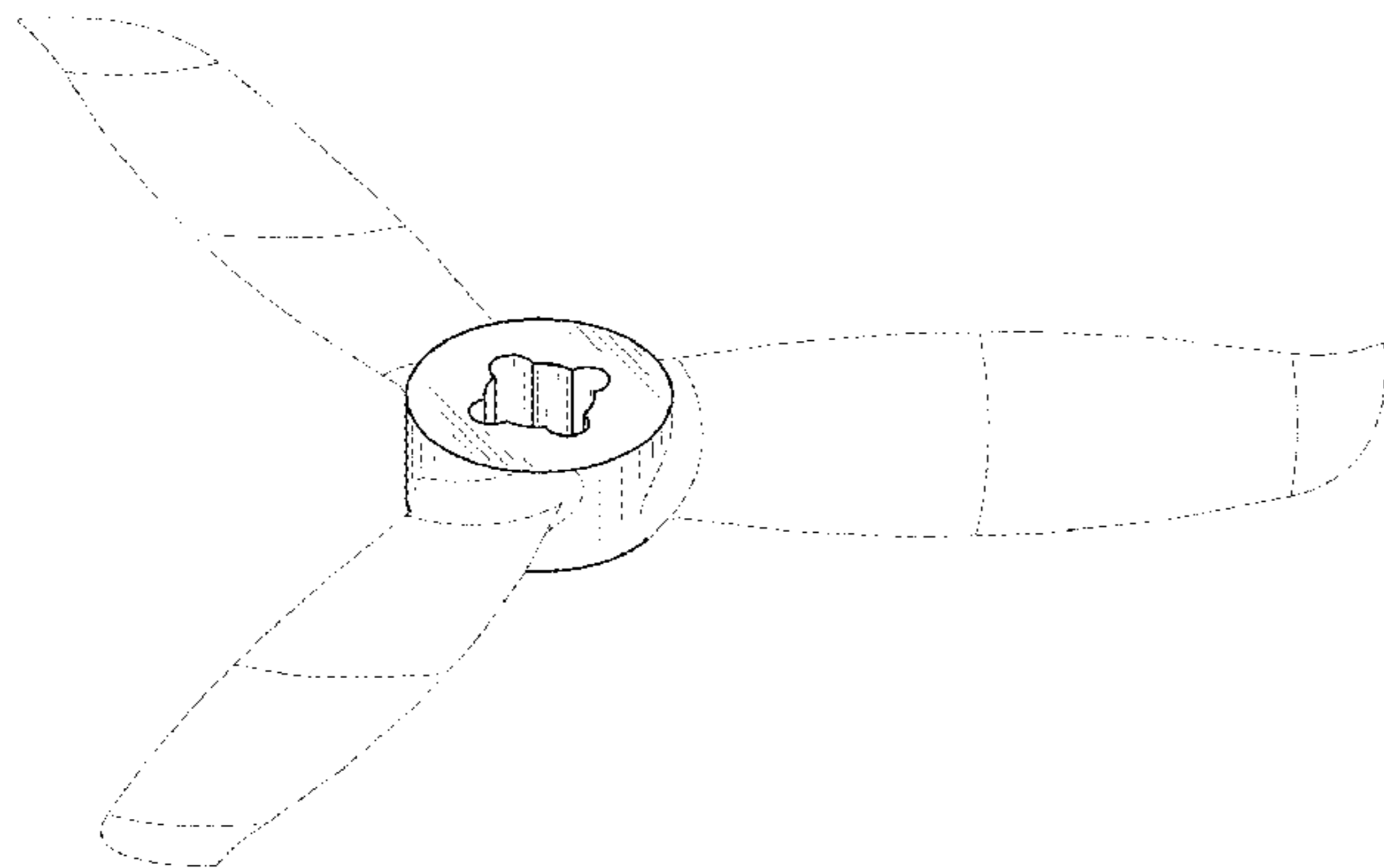
(57) **CLAIM**

I claim the ornamental design for a propeller through-hole, as shown and described.

DESCRIPTION

FIG. 1 is a perspective view of a propeller through-hole showing my new design;
 FIG. 2 is a top view of the propeller through-hole of FIG. 1;
 FIG. 3 is a bottom view of the propeller through-hole of FIG. 1;
 FIG. 4 is a left side view of the propeller through-hole of FIG. 1;
 FIG. 5 is a right side view of the propeller through-hole of FIG. 1;
 FIG. 6 is a front side view of the propeller through-hole of FIG. 1;
 FIG. 7 is a rear side view of the propeller through-hole of FIG. 1; and,
 FIG. 8 is a partially assembled view of the propeller through-hole of FIG. 1 inserted with a propeller through-hole insert.
 The broken lines are for the purpose of showing environmental structure, and form no part of the claimed design.

1 Claim, 8 Drawing Sheets



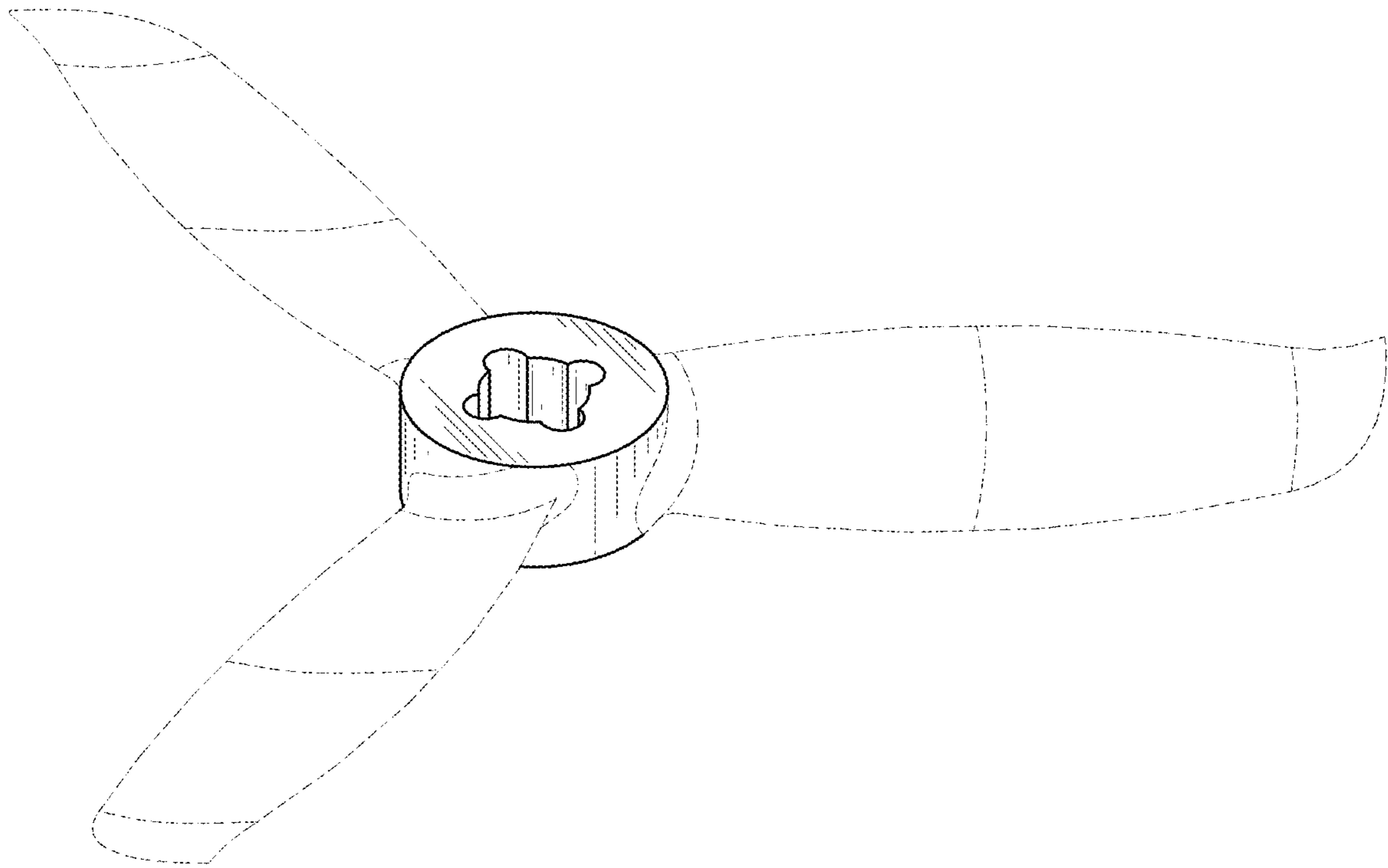


FIG. 1

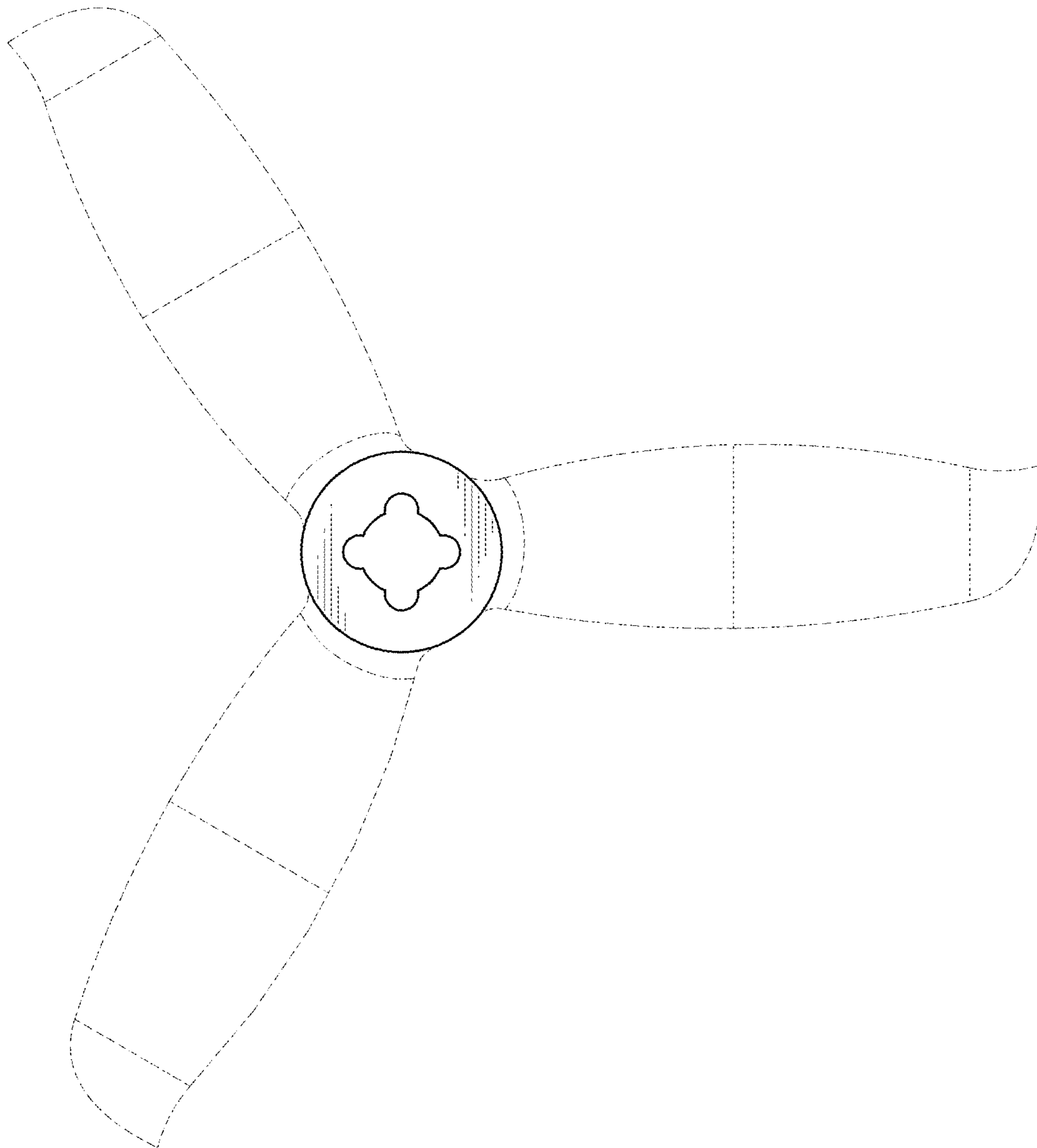


FIG. 2

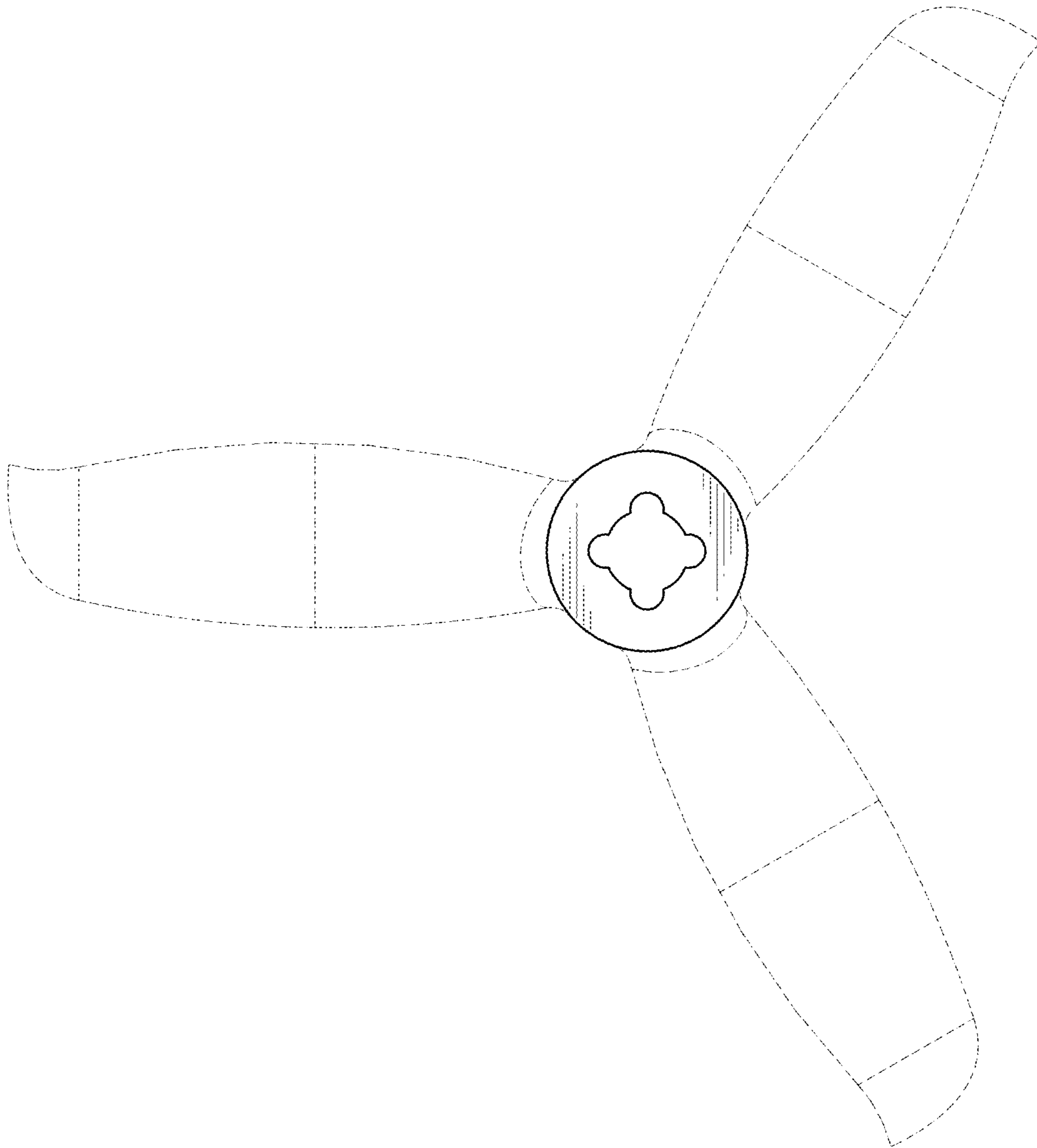


FIG. 3

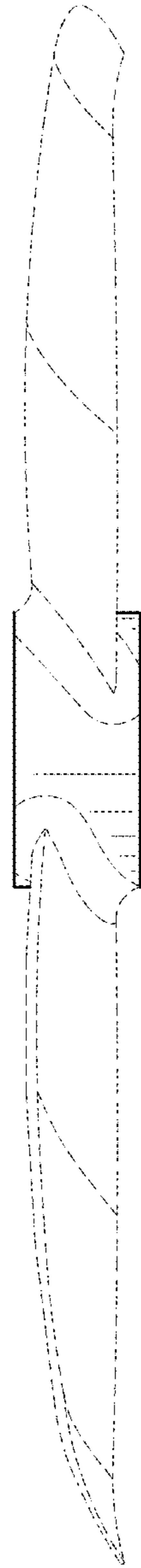


FIG. 4



FIG. 5

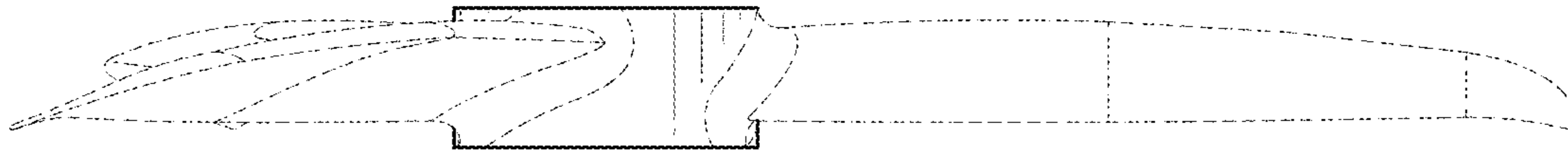


FIG. 6

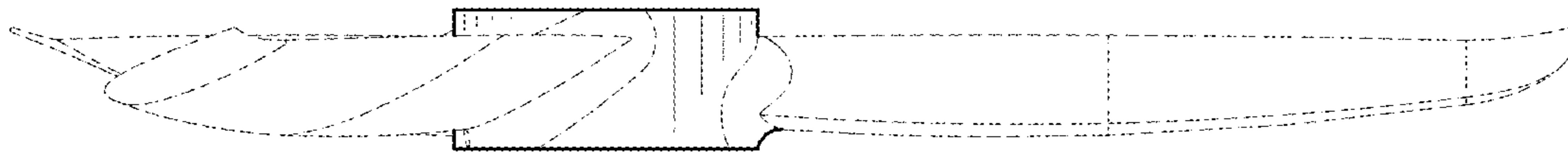


FIG. 7

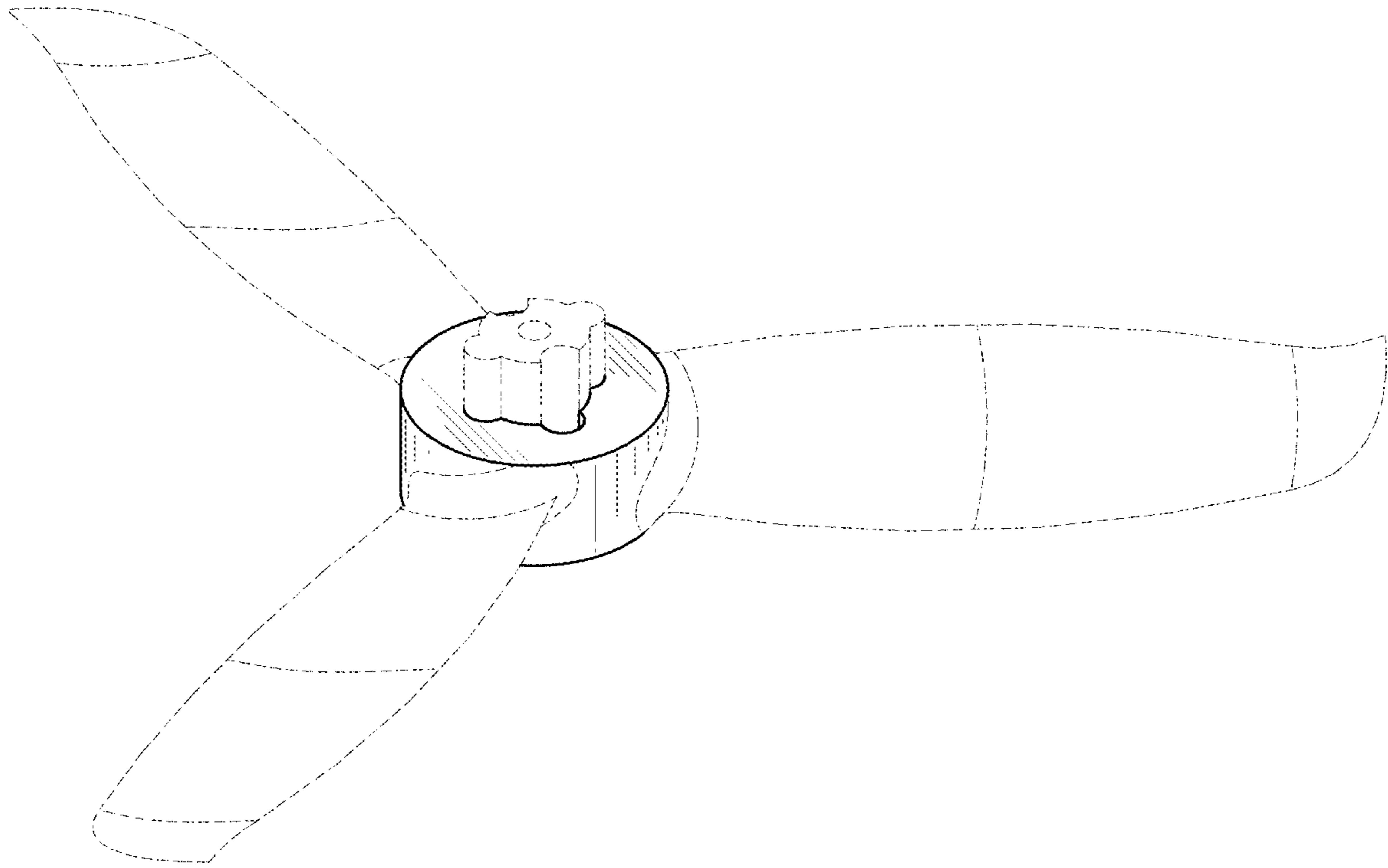


FIG. 8