



US00D899340S

(12) **United States Design Patent**
Sasazawa

(10) **Patent No.:** **US D899,340 S**

(45) **Date of Patent:** **** Oct. 20, 2020**

(54) **WHEEL**

(71) Applicant: **HONDA MOTOR CO., LTD.**,
Minato-ku, Tokyo (JP)

(72) Inventor: **Eito Sasazawa**, Tokyo (JP)

(73) Assignee: **HONDA MOTOR CO., LTD.**, Tokyo
(JP)

(**) Term: **15 Years**

(21) Appl. No.: **29/668,374**

(22) Filed: **Oct. 30, 2018**

(51) **LOC (12) Cl.** **12-16**

(52) **U.S. Cl.**
USPC **D12/211**

(58) **Field of Classification Search**
USPC D12/204–213; D21/563
CPC B60B 7/00; B60B 7/02; B60B 7/04; B60B
7/01; B60B 7/06; B60B 3/02; B60B 3/04;
B60B 3/06; B60B 3/10; B60B 1/00;
B60B 1/08; B60B 1/10; B60B 1/12
See application file for complete search history.

(56) **References Cited**

U.S. PATENT DOCUMENTS

D477,556 S	*	7/2003	Koch	D12/211
D508,007 S	*	8/2005	Koch	D12/211
D513,728 S	*	1/2006	Yazawa	D12/211
D525,184 S	*	7/2006	Huet	D12/211
D609,624 S	*	2/2010	Matsubara	D12/211
D619,071 S	*	7/2010	Christensen	D12/211
D620,871 S	*	8/2010	Juergens	D12/211
D628,948 S	*	12/2010	Chung	D12/211
D634,692 S	*	3/2011	Stefanov	D12/211
D635,077 S	*	3/2011	Nordmann	D12/209
D639,225 S	*	6/2011	Forschner	D12/211
D671,479 S	*	11/2012	Gonser	D12/209

D673,494 S	*	1/2013	Lemke	D12/209
D686,965 S	*	7/2013	Pollmann	D12/211
D738,281 S	*	9/2015	Watkin	D12/211
D739,329 S	*	9/2015	Watkin	D12/211
D783,497 S	*	4/2017	Vartola	D12/211
D787,411 S	*	5/2017	Peat	D12/211
D789,866 S	*	6/2017	Giolito	D12/211
D798,787 S	*	10/2017	Song	D12/211
D803,752 S	*	11/2017	Sempek	D12/211
D809,447 S	*	2/2018	Wolff	D12/211
D862,348 S	*	10/2019	Woodhouse	D12/209

* cited by examiner

Primary Examiner — Stacia A Cadmus

(74) *Attorney, Agent, or Firm* — Arent Fox LLP

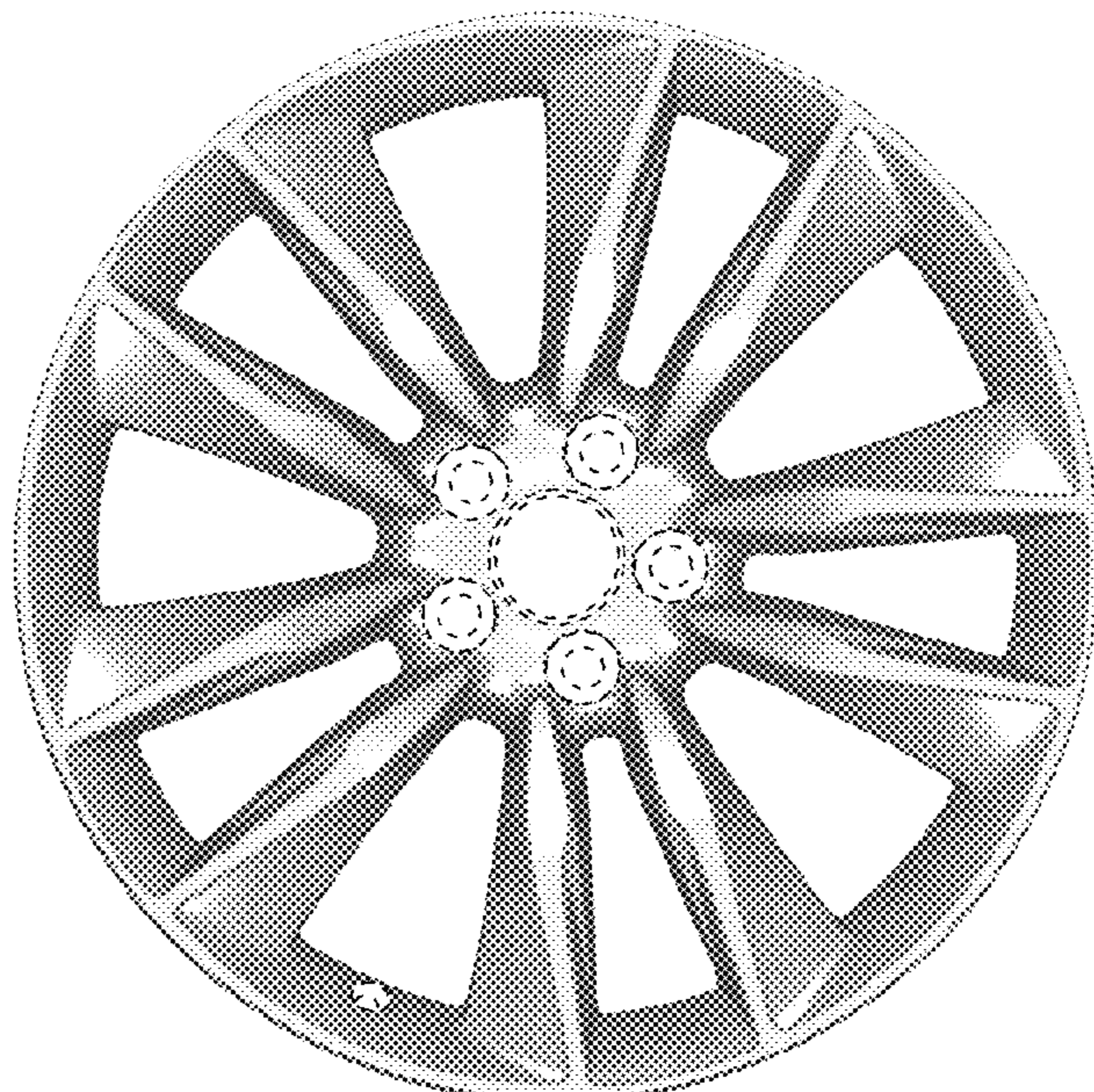
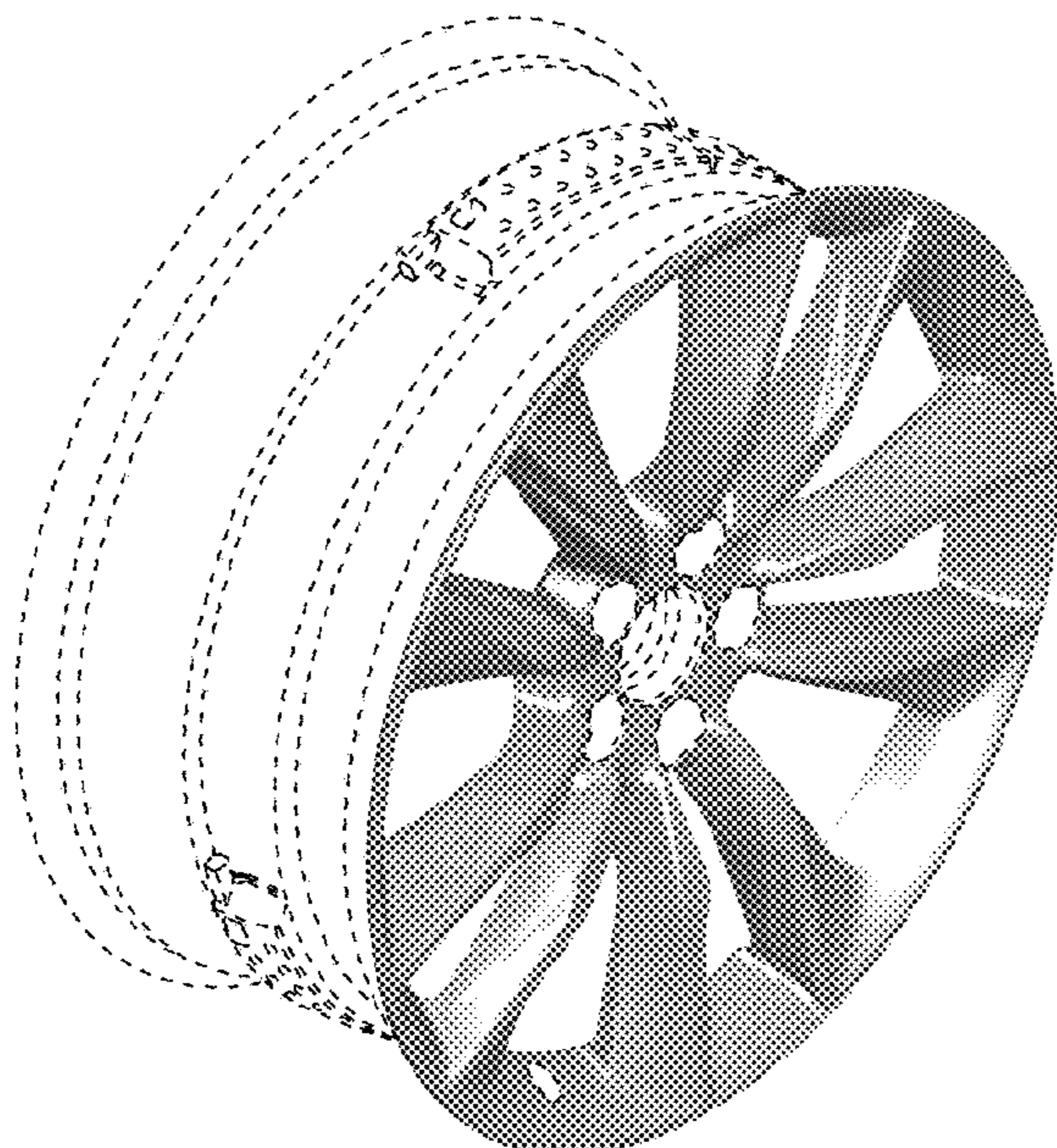
(57) **CLAIM**

The ornamental design for a wheel, as shown and described.

DESCRIPTION

FIG. 1 is a front left perspective view of a wheel showing my new design;
 FIG. 2 is a rear left perspective view of the design shown in FIG. 1;
 FIG. 3 is a rear right perspective view of the design shown in FIG. 1;
 FIG. 4 is a front right perspective view of the design shown in FIG. 1;
 FIG. 5 is a left side view of the design shown in FIG. 1;
 FIG. 6 is a right side view of the design shown in FIG. 1;
 FIG. 7 is a rear view of the design shown in FIG. 1;
 FIG. 8 is a front view of the design shown in FIG. 1;
 FIG. 9 is a top view of the design shown in FIG. 1; and,
 FIG. 10 is a bottom view of the design shown in FIG. 1.
 The broken lines shown in the figures are included for the purpose of illustrating portions of the wheel and form no part of the claimed design.

1 Claim, 10 Drawing Sheets



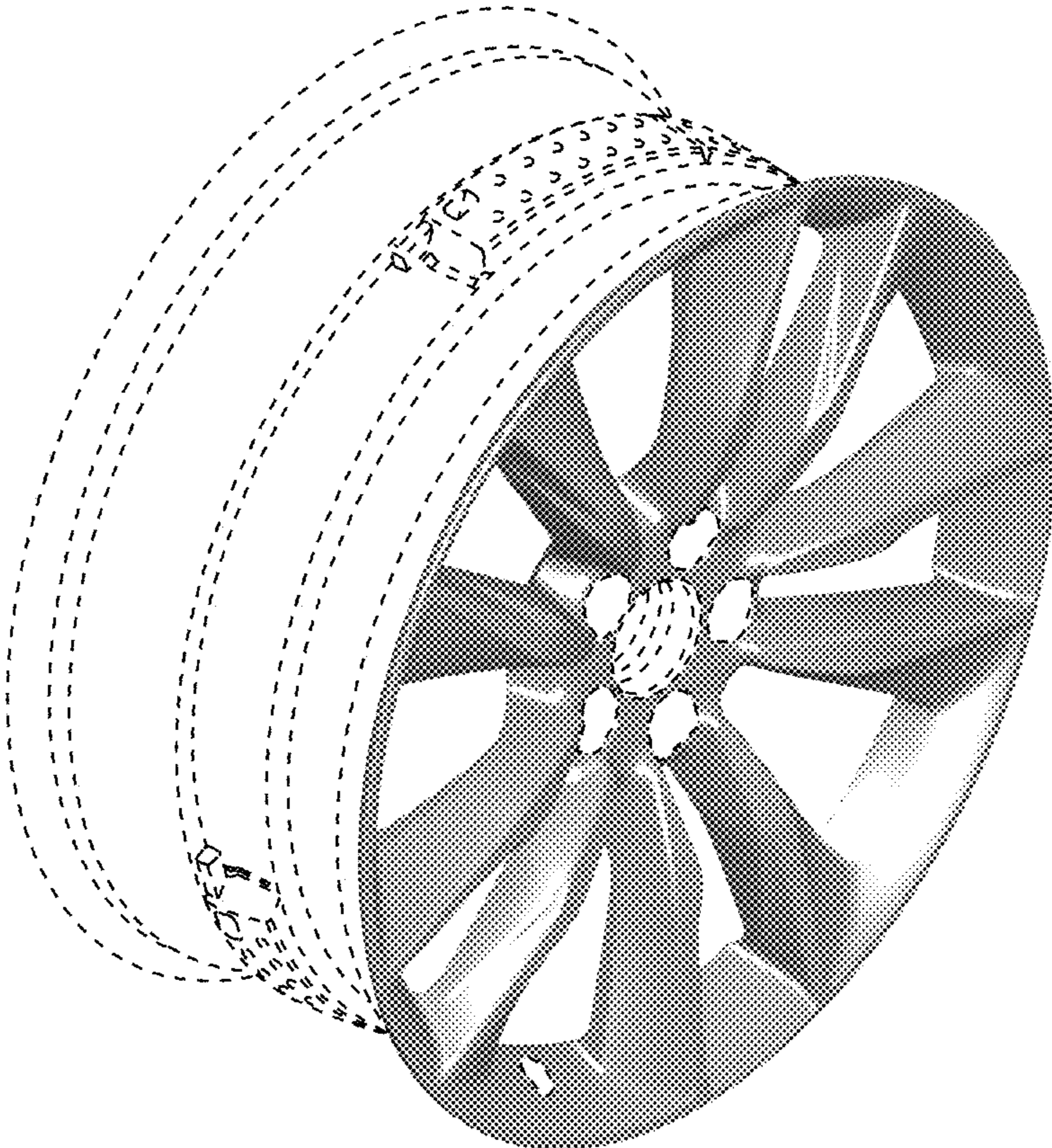


FIG. 1

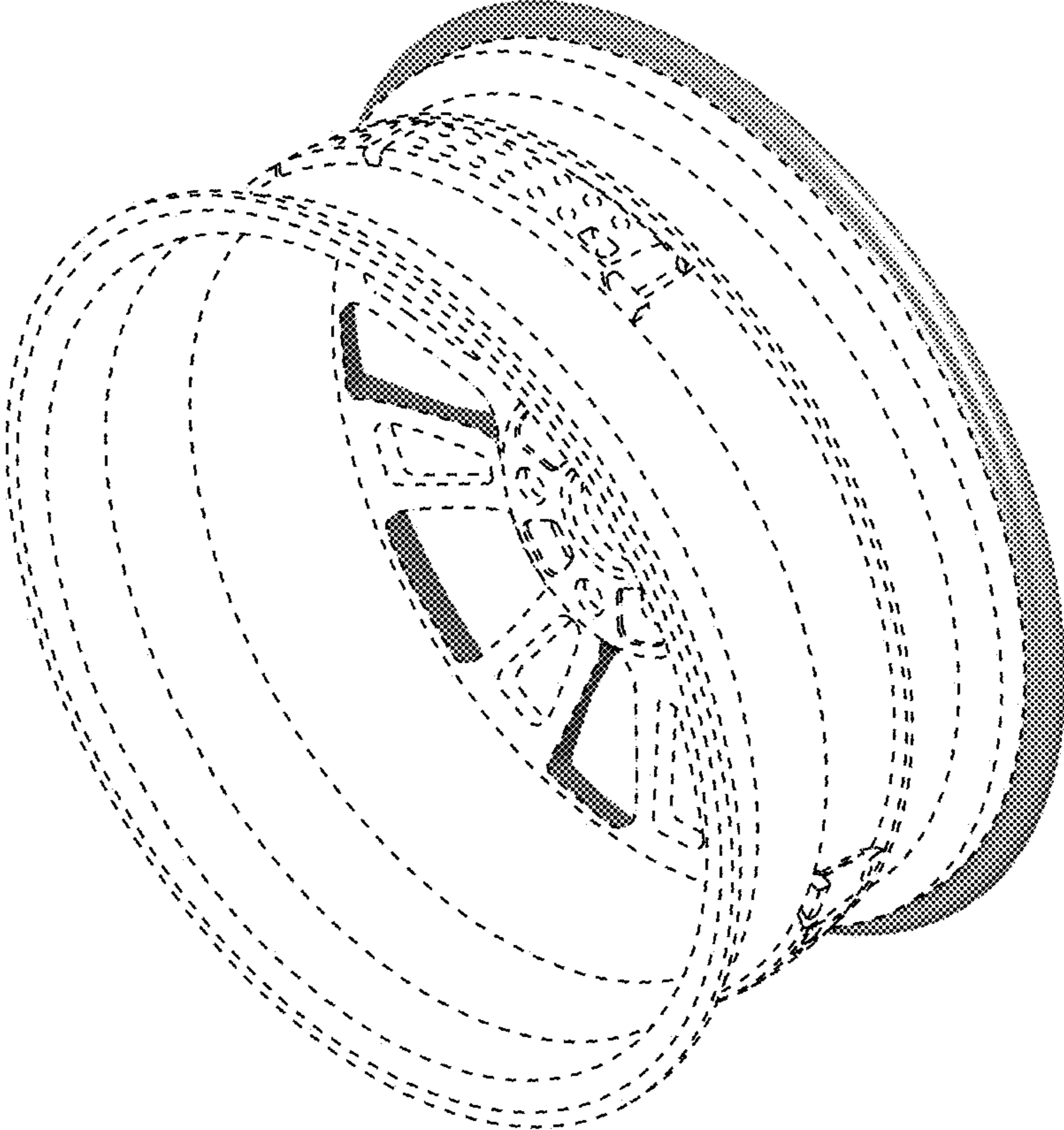


FIG. 2

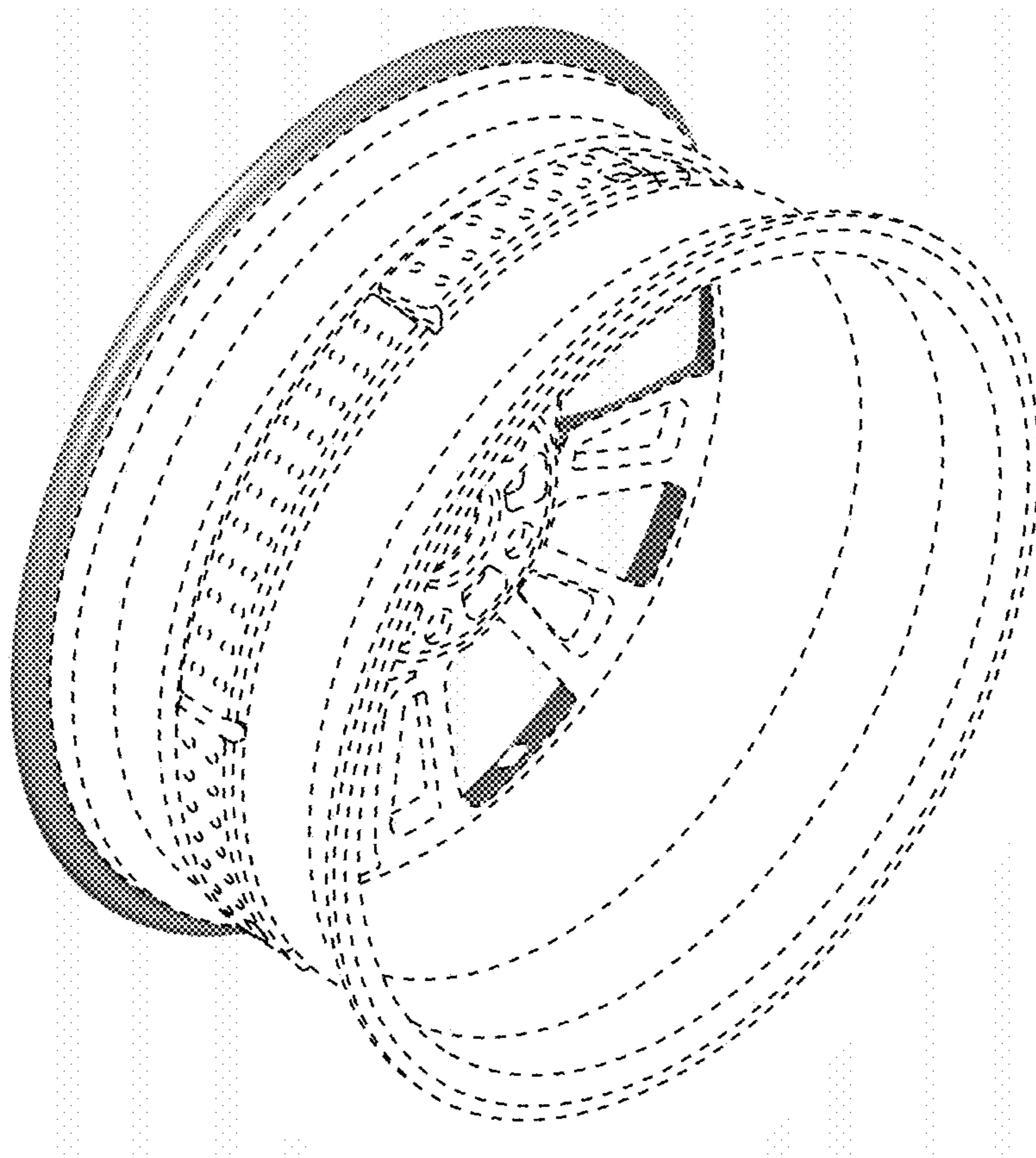


FIG. 3

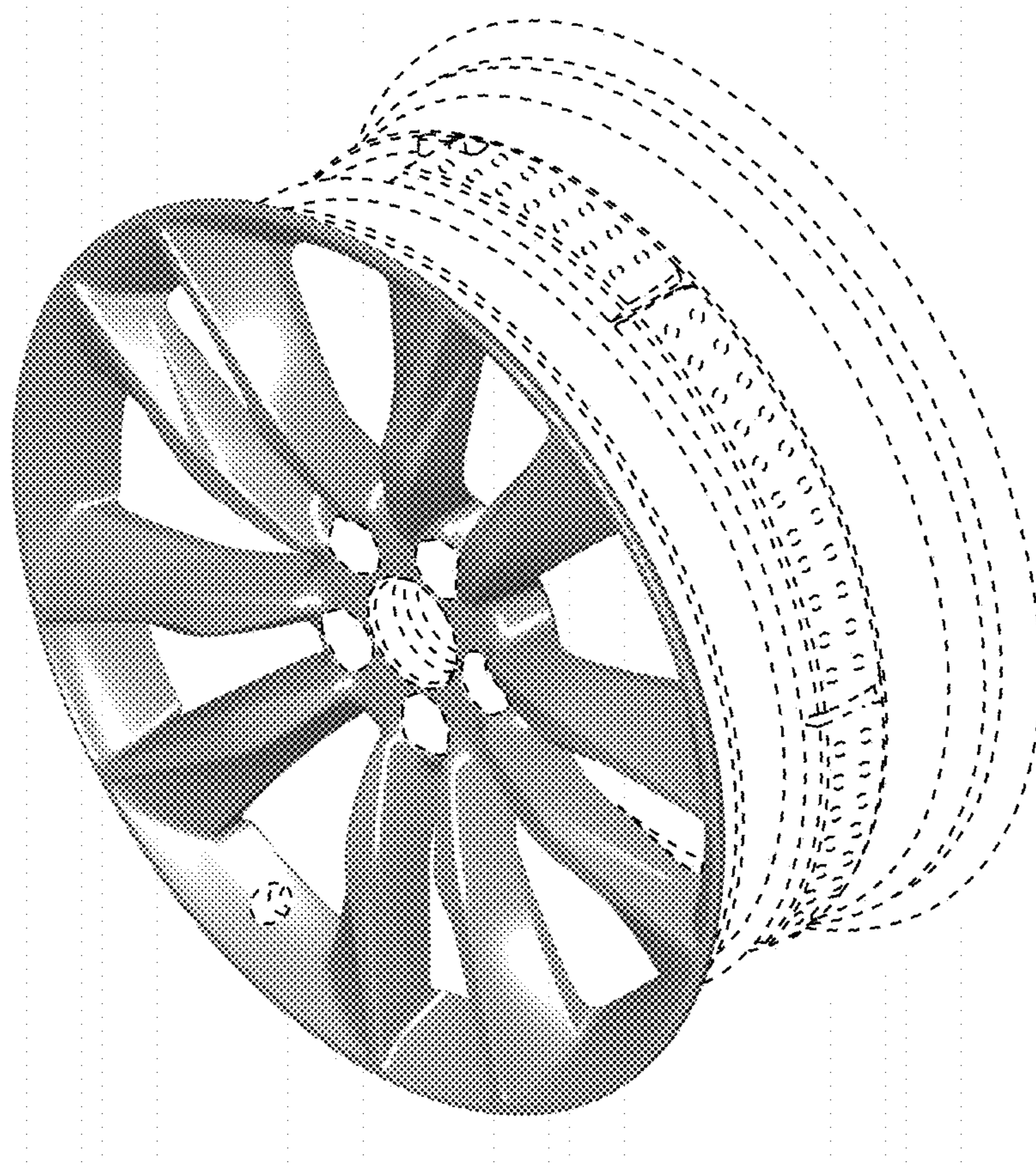


FIG. 4

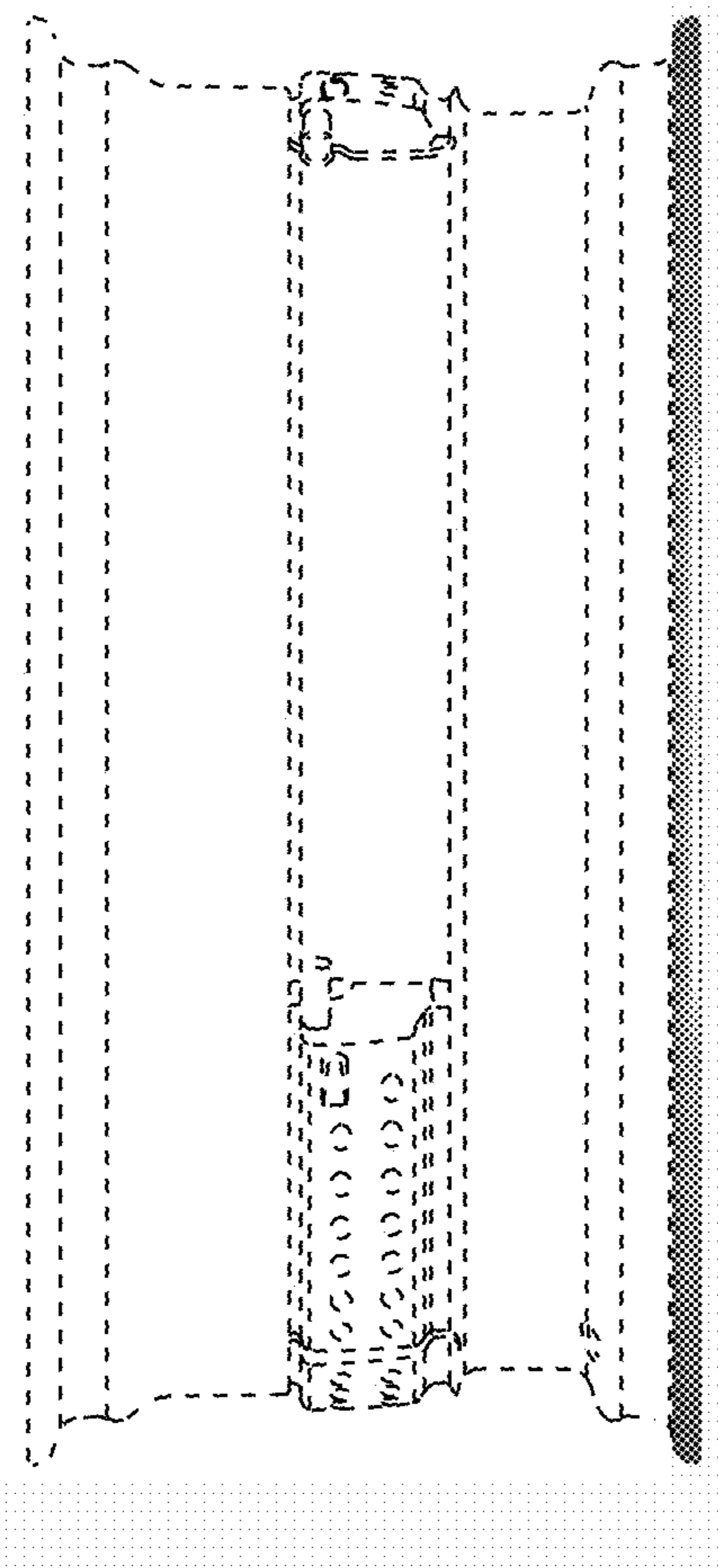


FIG. 5

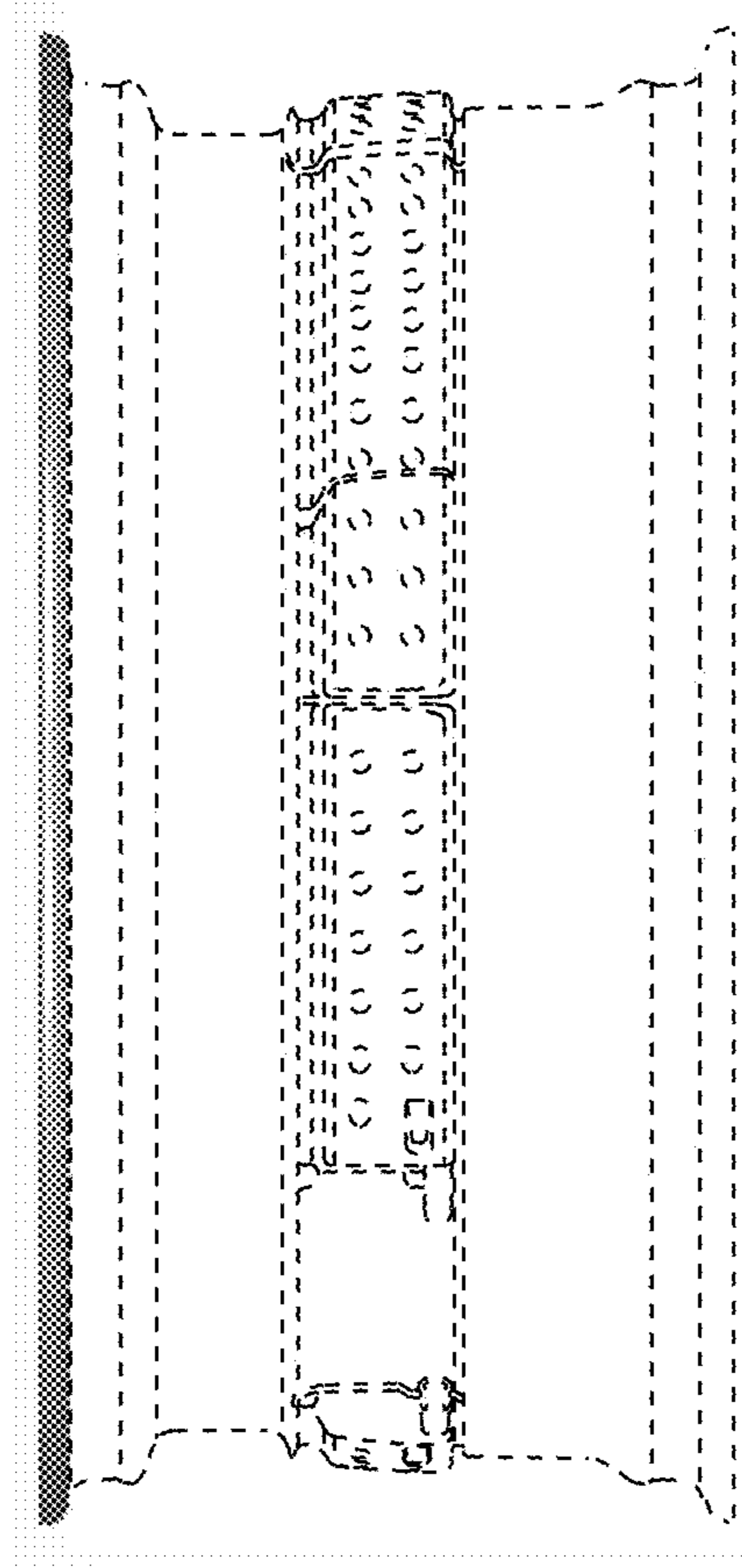


FIG. 6

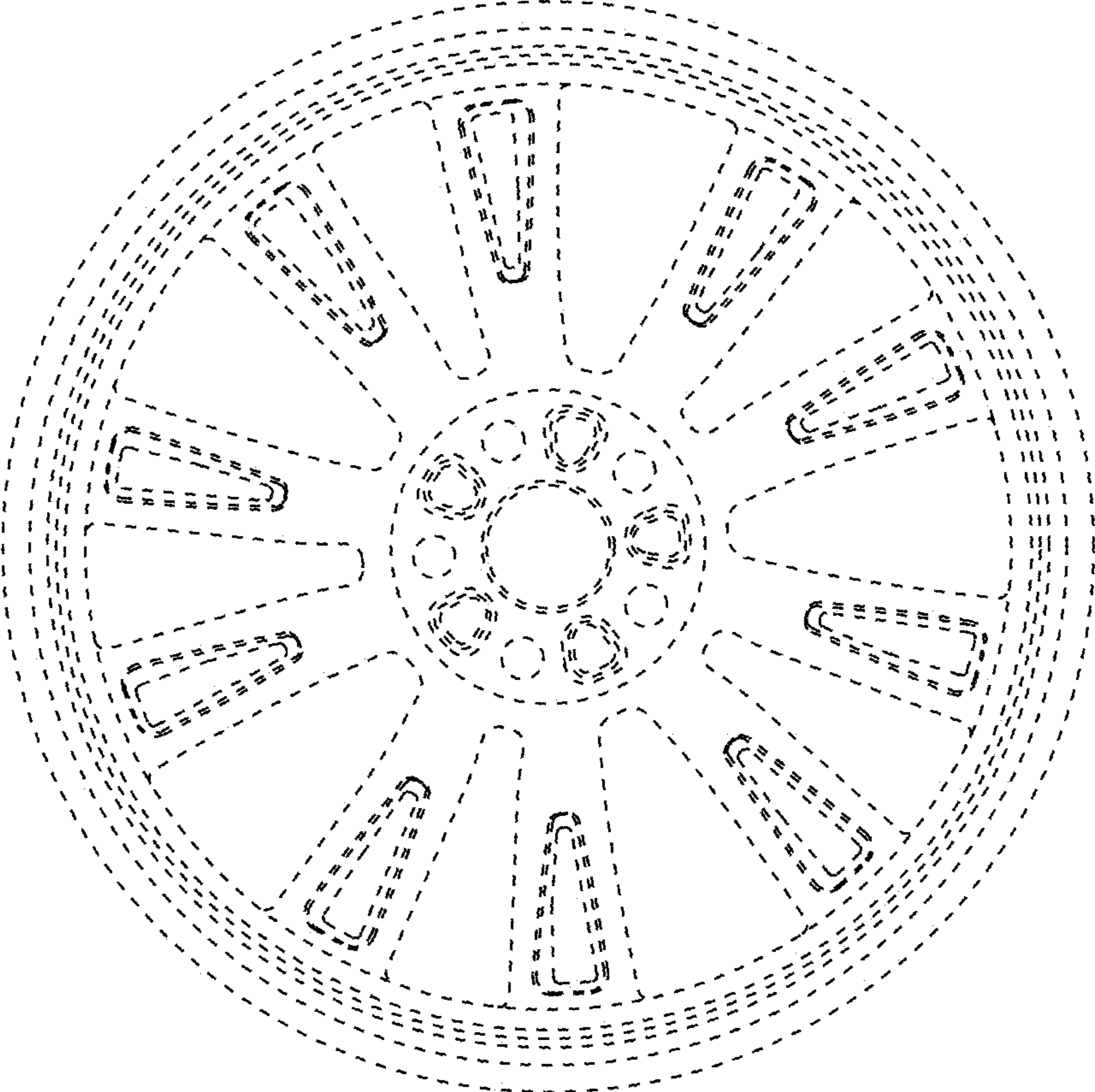


FIG. 7

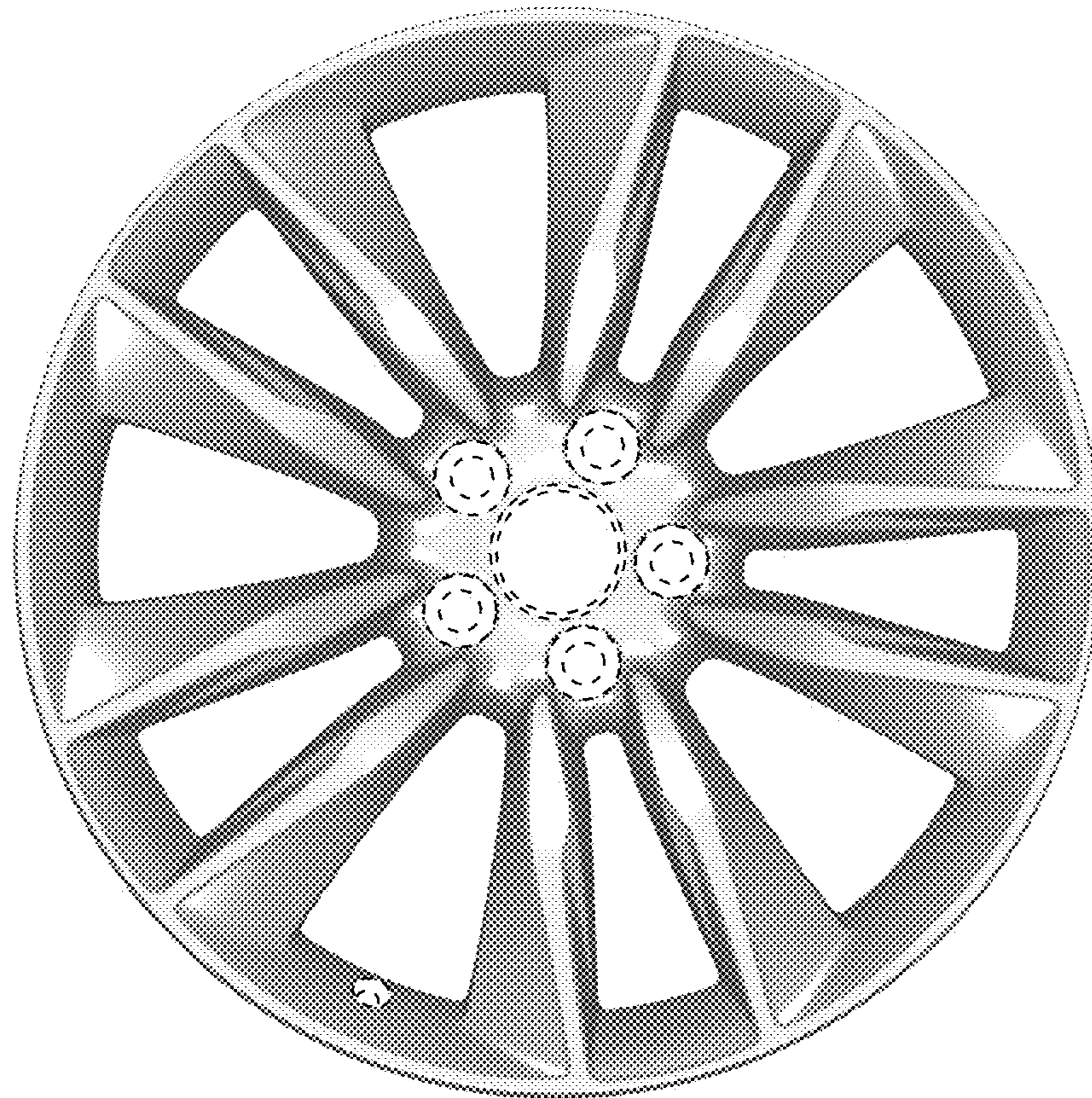


FIG. 8

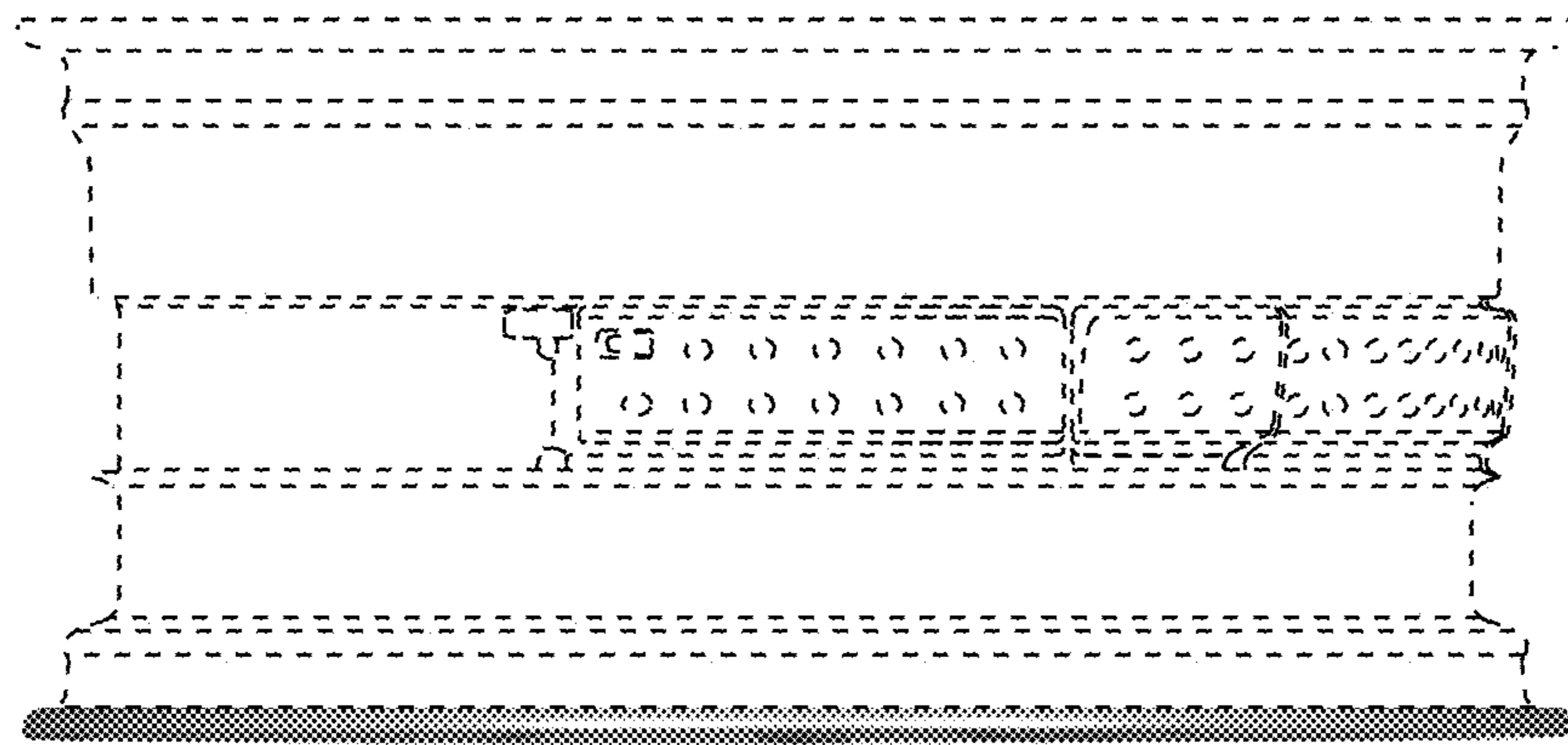


FIG. 9

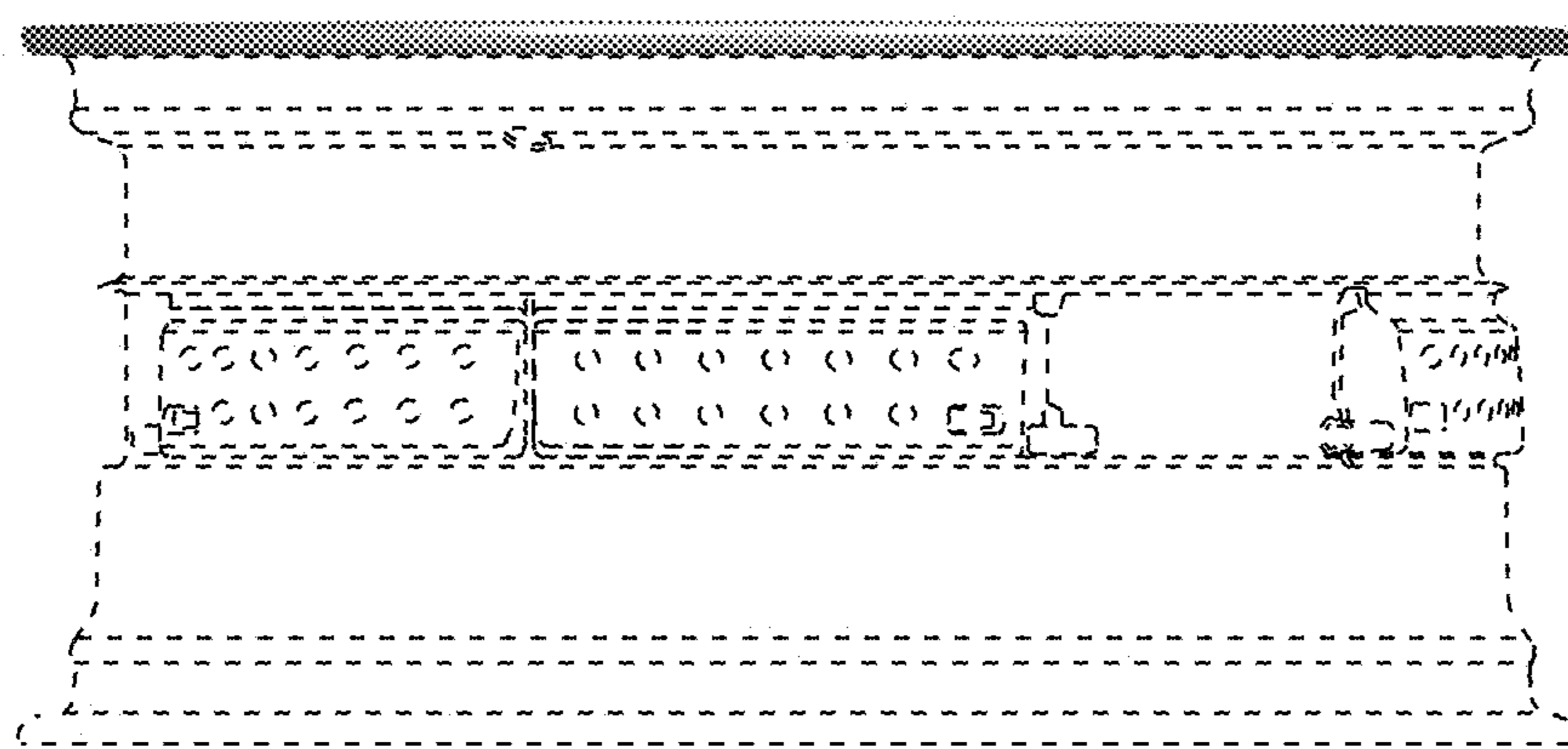


FIG. 10