



US00D899339S

(12) **United States Design Patent**  
**Prossler**

(10) **Patent No.:** **US D899,339 S**

(45) **Date of Patent:** **\*\* Oct. 20, 2020**

(54) **WHEEL**

(71) Applicant: **Jaguar Land Rover Limited**, Whitley,  
Coventry (GB)

(72) Inventor: **Christoph Prossler**, Coventry (GB)

(73) Assignee: **Jaguar Land Rover Limited**, Whitley,  
Coventry (GB)

(\*\*) Term: **15 Years**

(21) Appl. No.: **29/720,221**

(22) Filed: **Jan. 10, 2020**

**Related U.S. Application Data**

(62) Division of application No. 29/656,453, filed on Jul.  
12, 2018, now Pat. No. Des. 877,677.

(30) **Foreign Application Priority Data**

Apr. 30, 2018 (EM) ..... 005253499

(51) **LOC (12) Cl.** ..... **12-16**

(52) **U.S. Cl.**  
USPC ..... **D12/209**

(58) **Field of Classification Search**

USPC ..... D12/204-213; D21/563

CPC .... B60B 7/00; B60B 7/02; B60B 7/04; B60B  
7/01; B60B 7/06; B60B 3/02; B60B 3/04;  
B60B 3/06; B60B 3/10; B60B 1/00;  
B60B 1/08; B60B 1/10; B60B 1/12

See application file for complete search history.

(56) **References Cited**

**U.S. PATENT DOCUMENTS**

D407,057 S \* 3/1999 Goplen ..... D12/211  
D436,912 S \* 1/2001 Boyer ..... D12/211

D500,470 S \* 1/2005 Rice ..... D12/211  
D507,225 S \* 7/2005 Velazco ..... D12/211  
D585,802 S \* 2/2009 Hieke ..... D12/209  
D585,803 S \* 2/2009 Hieke ..... D12/209  
D589,426 S \* 3/2009 Yoon ..... D12/211  
D620,868 S \* 8/2010 Gallert ..... D12/211  
D621,768 S \* 8/2010 Juergens ..... D12/209  
D641,301 S \* 7/2011 Hilpert ..... D12/211  
D664,910 S \* 8/2012 Gallert ..... D12/211  
D666,546 S \* 9/2012 Juergens ..... D12/209  
D671,063 S \* 11/2012 Hilpert ..... D12/211  
D690,248 S \* 9/2013 Bildhaeuser ..... D12/209  
D744,399 S \* 12/2015 Juergens ..... D12/209  
D784,236 S \* 4/2017 Platto ..... D12/211  
D792,307 S \* 7/2017 Macey ..... D12/209  
D832,764 S \* 11/2018 Valencia Pollex ..... D12/211

\* cited by examiner

*Primary Examiner* — Stacia A Cadmus

(74) *Attorney, Agent, or Firm* — Wood Herron & Evans  
LLP

(57) **CLAIM**

The ornamental design for a wheel, as shown and described.

**DESCRIPTION**

FIG. 1 is a front left perspective view of a wheel according  
to the present invention.

FIG. 2 is a front view of the wheel shown in FIG. 1.

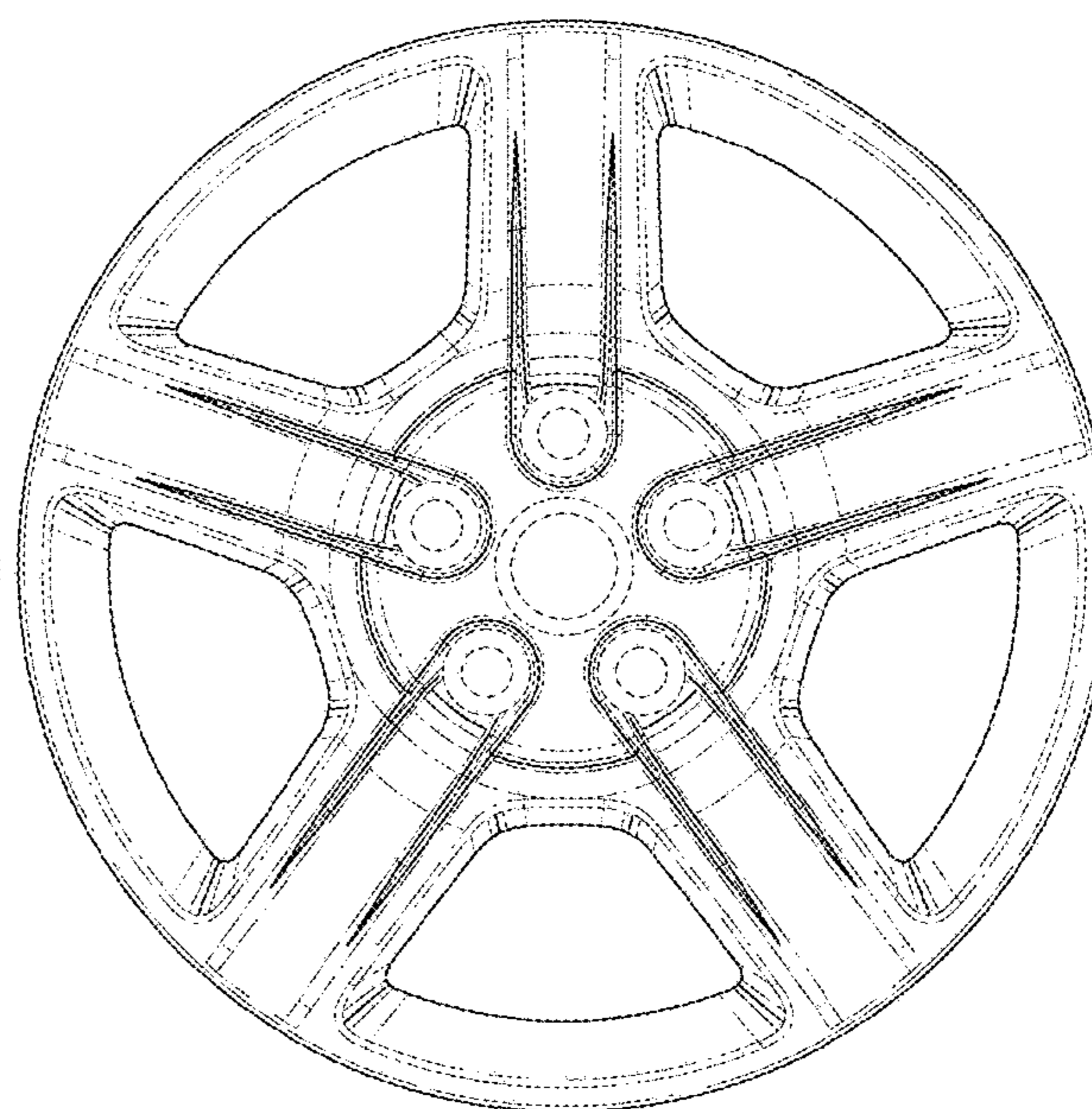
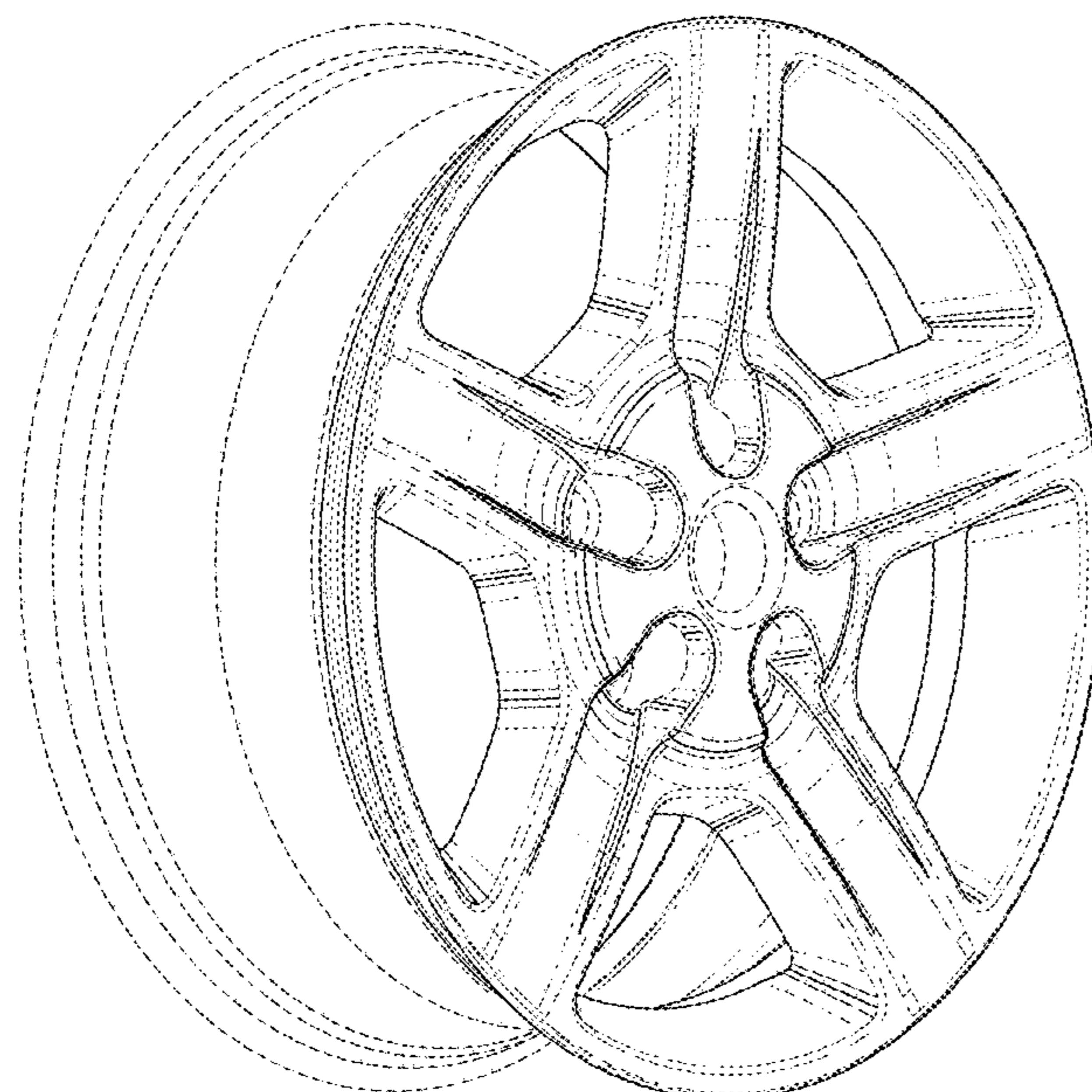
FIG. 3 is a left side view thereof, the right side view being  
a mirror image thereof.

FIG. 4 is a top view of the wheel shown in FIG. 1; and,

FIG. 5 is a bottom view of the wheel shown in FIG. 1.

The broken lines form no part of the claimed design, but are  
instead included to show environmental structure.

**1 Claim, 4 Drawing Sheets**



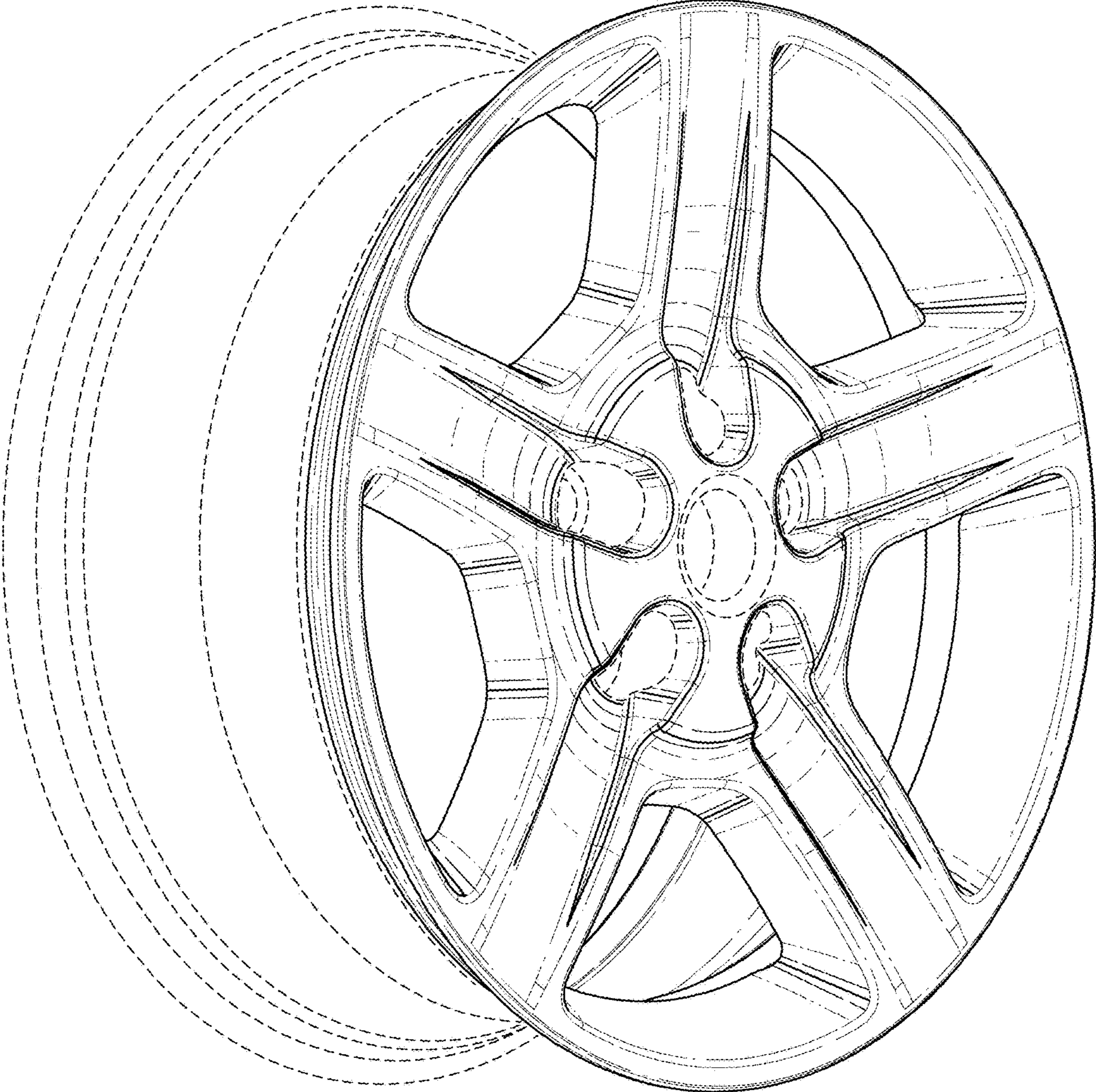


FIG. 1

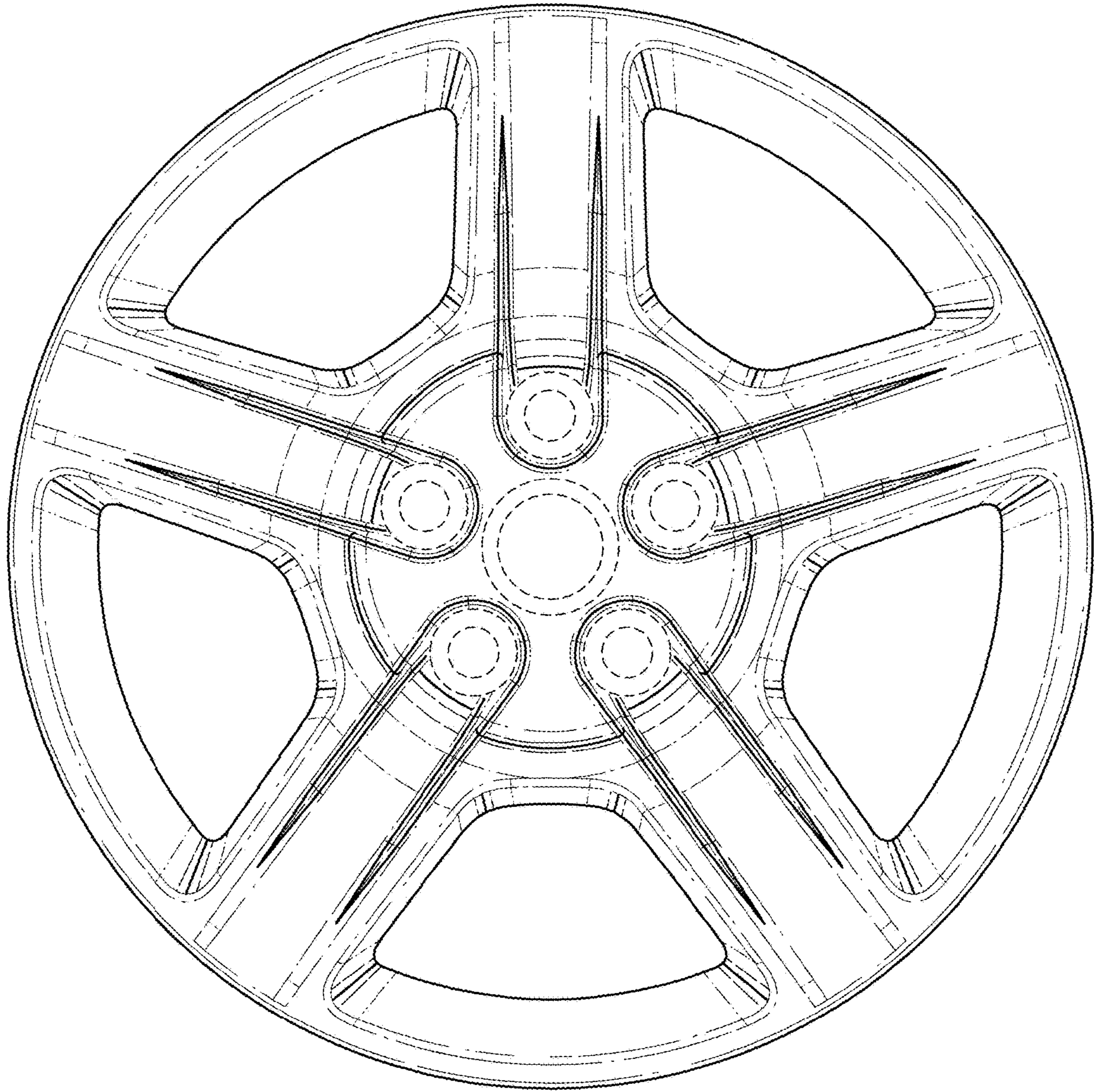


FIG. 2

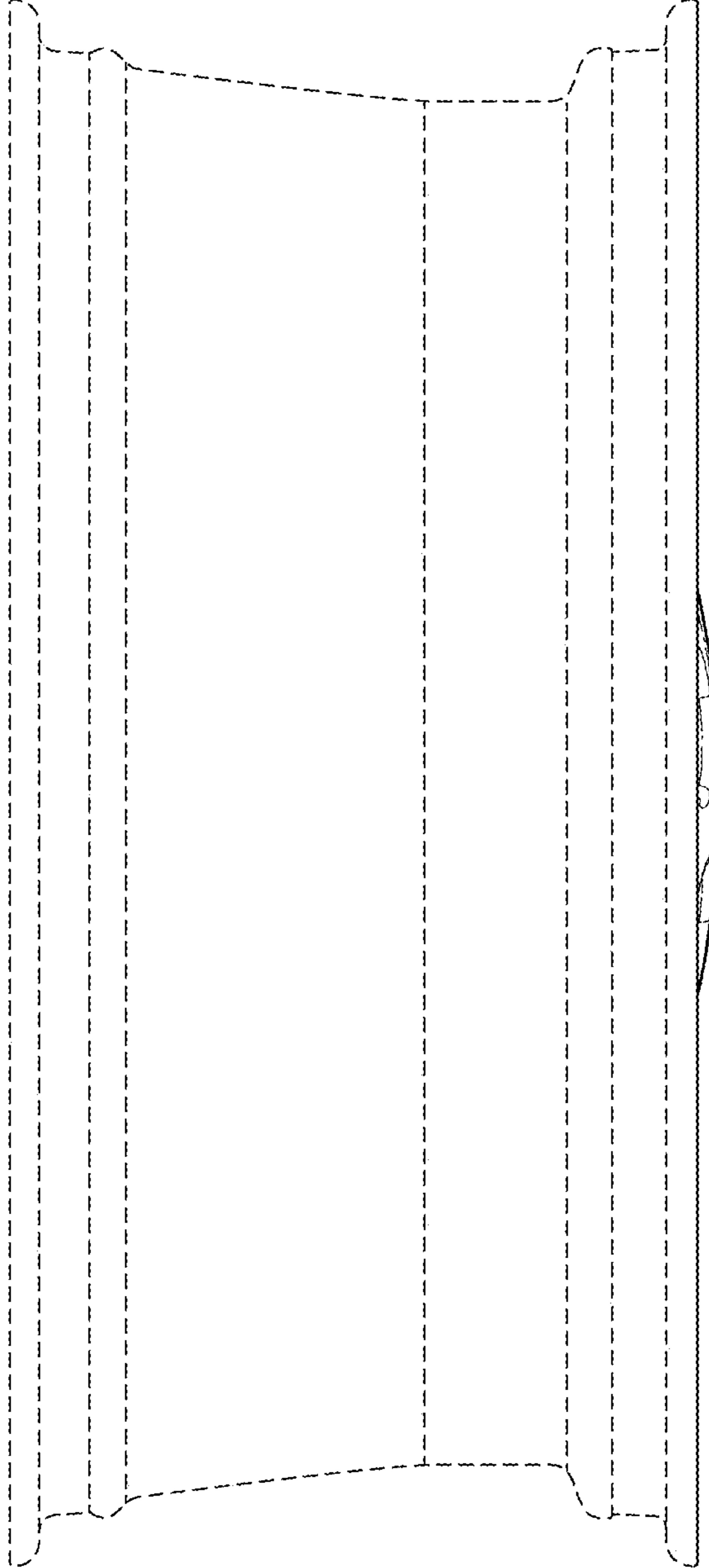


FIG. 3

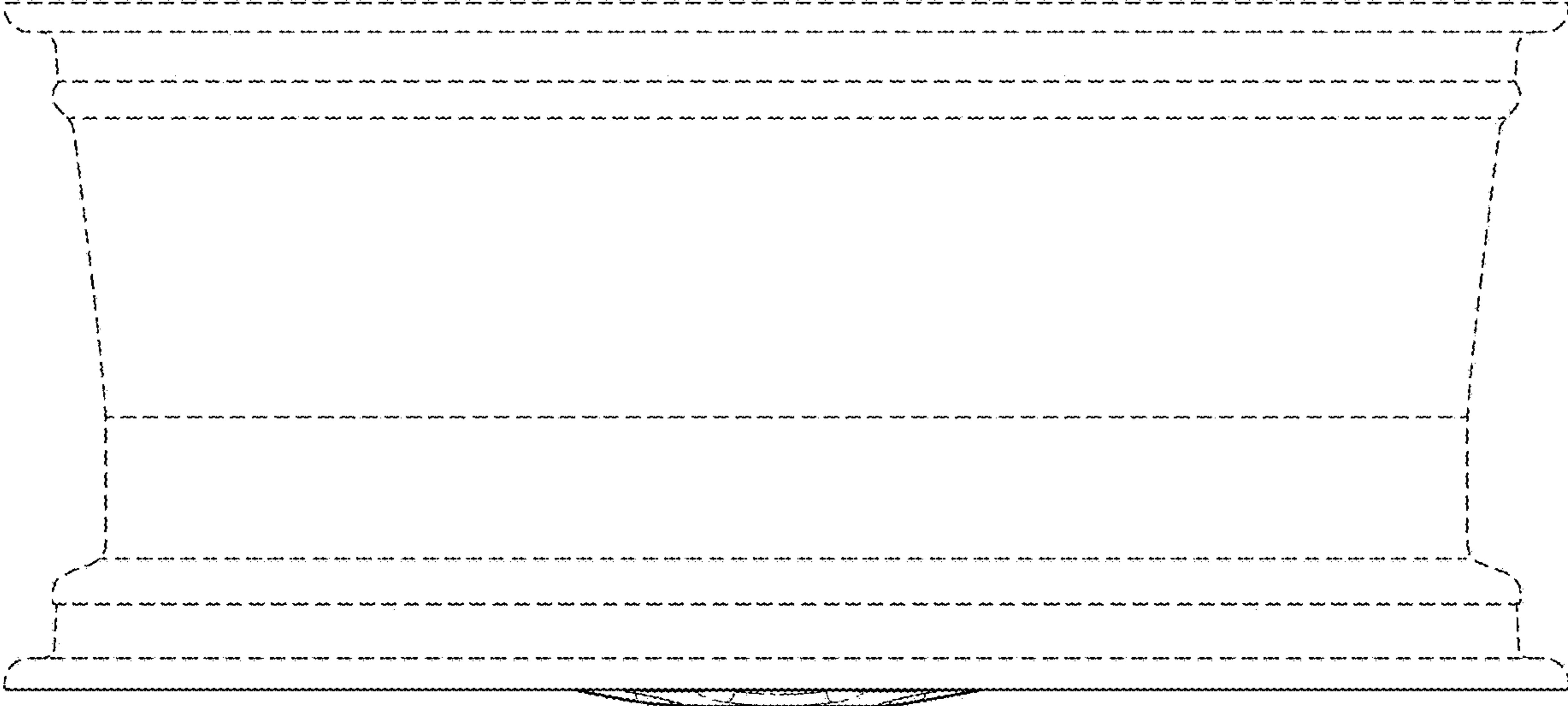


FIG. 4

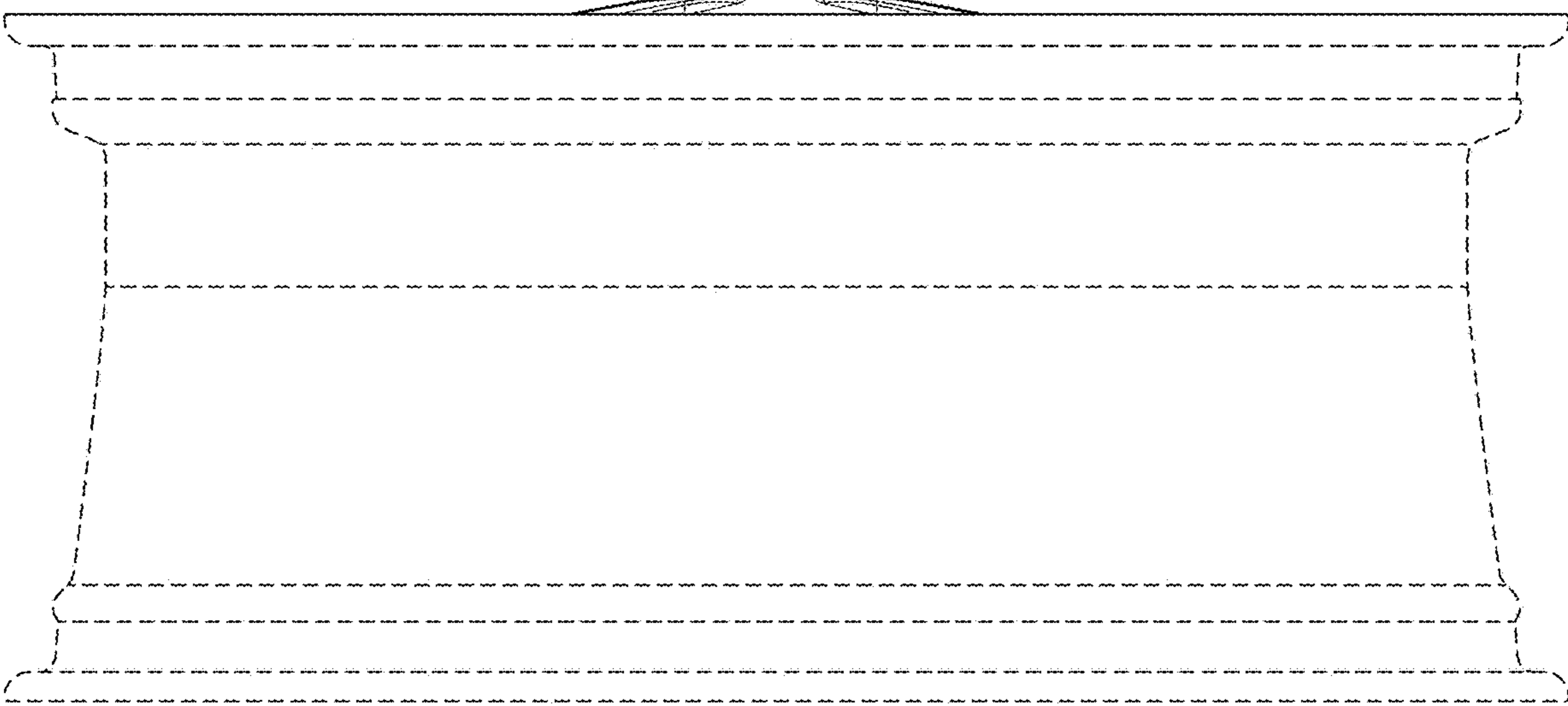


FIG. 5