



US00D899337S

(12) **United States Design Patent**
Melikian

(10) **Patent No.:** **US D899,337 S**

(45) **Date of Patent:** **** Oct. 20, 2020**

(54) **WHEEL**

(71) Applicant: **HONDA MOTOR CO., LTD.**,
Minato-ku, Tokyo (JP)

(72) Inventor: **Lili Melikian**, Sun Valley, CA (US)

(73) Assignee: **HONDA MOTOR CO., LTD.**, Tokyo
(JP)

(**) Term: **15 Years**

(21) Appl. No.: **29/668,408**

(22) Filed: **Oct. 30, 2018**

(51) **LOC (12) Cl.** **12-16**

(52) **U.S. Cl.**
USPC **D12/209**

(58) **Field of Classification Search**
USPC D12/204–213; D21/563
CPC B60B 7/00; B60B 7/02; B60B 7/04; B60B
7/01; B60B 7/06; B60B 3/02; B60B 3/04;
B60B 3/06; B60B 3/10; B60B 1/00;
B60B 1/08; B60B 1/10; B60B 1/12
See application file for complete search history.

(56) **References Cited**

U.S. PATENT DOCUMENTS

D573,081 S *	7/2008	Kim	D12/211
D594,396 S *	6/2009	Juergens	D12/209
D619,950 S *	7/2010	Antoniadis	D12/209
D625,235 S *	10/2010	Nissl	D12/209
D627,287 S *	11/2010	Gallert	D12/209
D635,904 S *	4/2011	Futschik	D12/209
D644,155 S *	8/2011	Truebsbach	D12/209
D645,389 S *	9/2011	Nissl	D12/209
D683,682 S *	6/2013	Alfonso	D12/209
D715,715 S *	10/2014	Pollmann	D12/209

D741,239 S *	10/2015	Wagener	D12/209
D746,756 S *	1/2016	George	D12/211
D789,859 S *	6/2017	Peat	D12/209
D807,806 S *	1/2018	Peat	D12/209
D808,326 S *	1/2018	Chung	D12/211
D823,221 S *	7/2018	Badstuebner	D12/209
D845,858 S *	4/2019	Chu	D12/209
D847,072 S *	4/2019	Badstuebner	D12/209

* cited by examiner

Primary Examiner — Stacia A Cadmus

(74) *Attorney, Agent, or Firm* — Arent Fox LLP

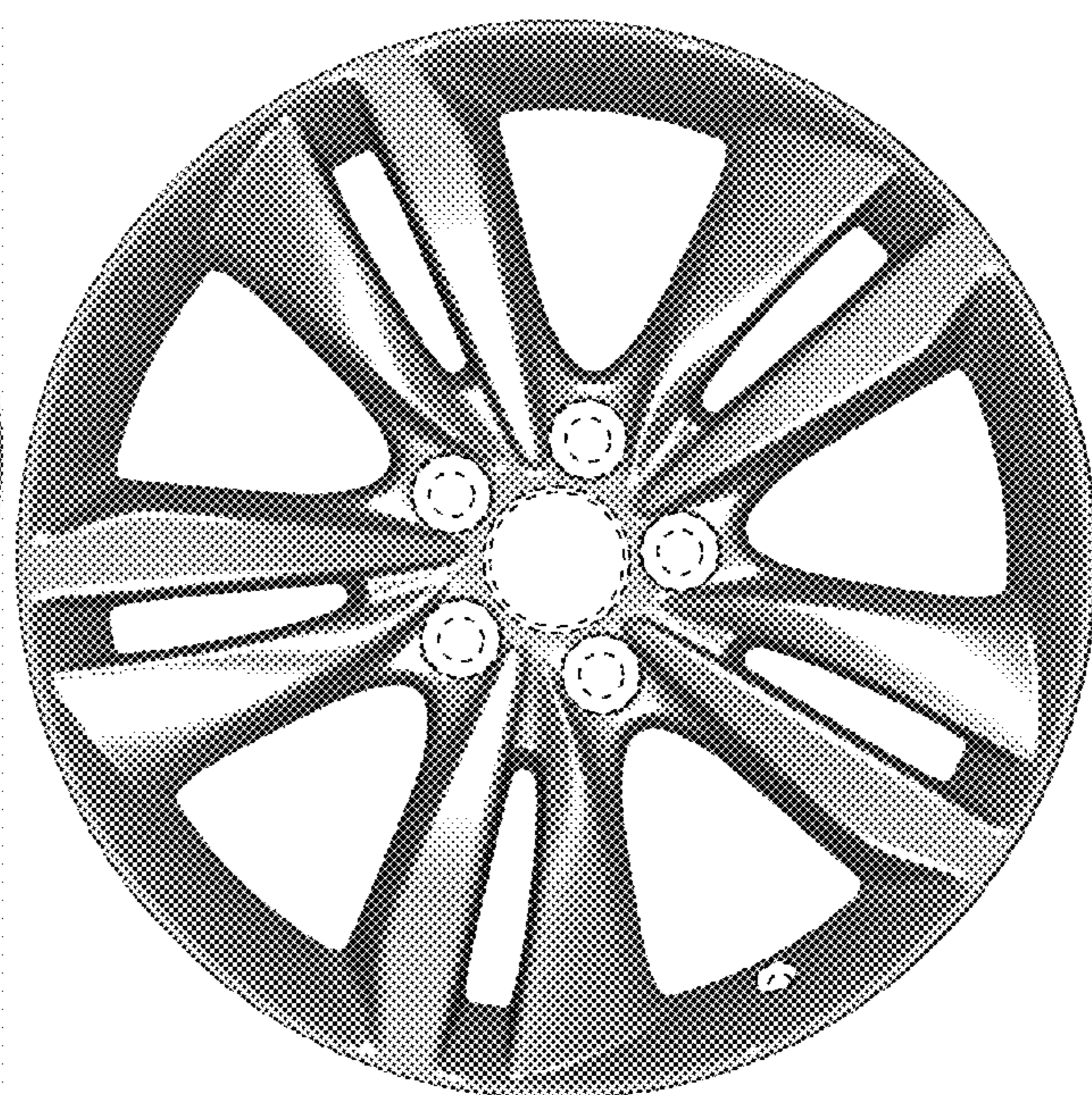
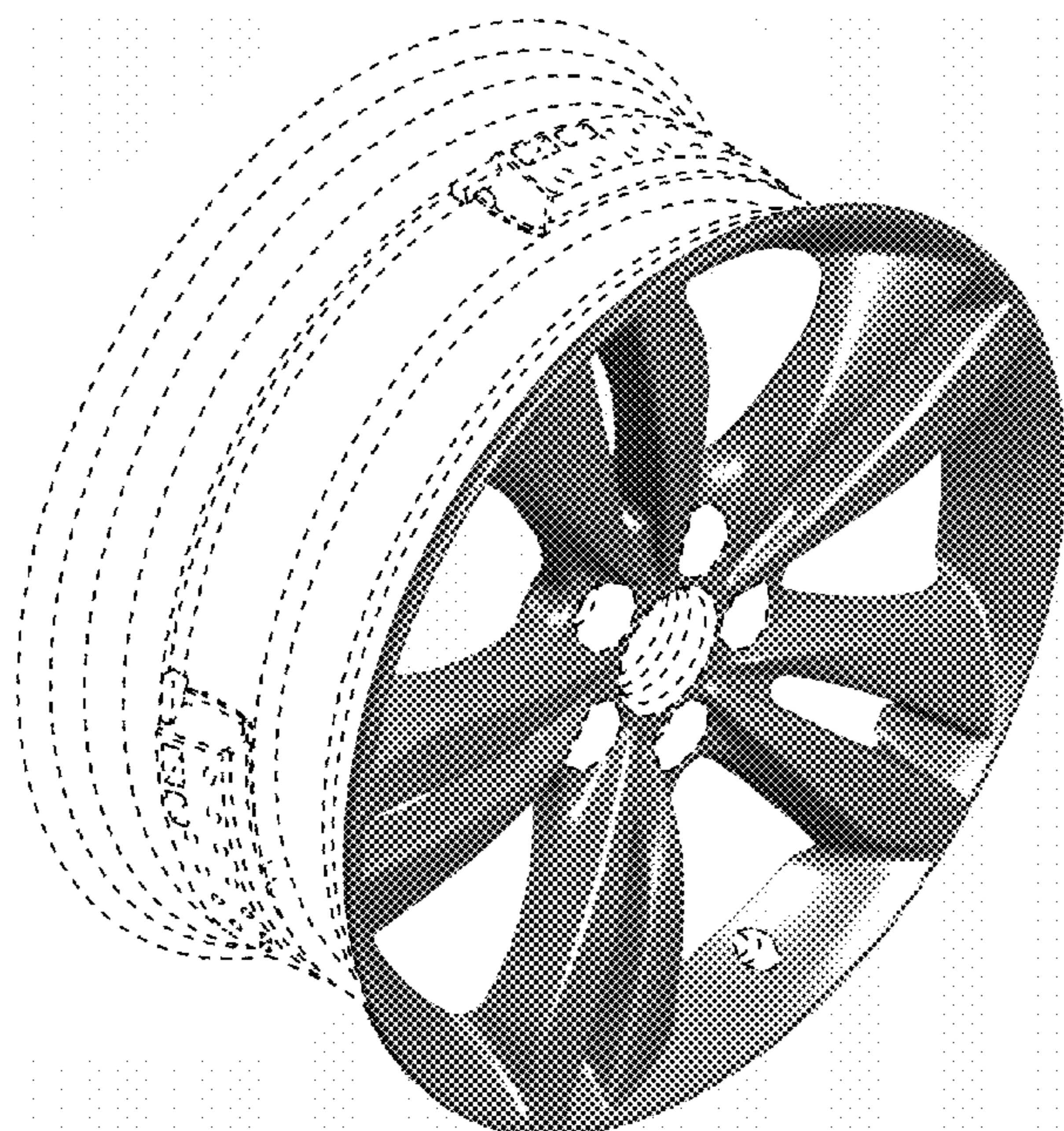
(57) **CLAIM**

The ornamental design for a wheel, as shown and described.

DESCRIPTION

FIG. 1 is a front left perspective view of a wheel showing my new design;
 FIG. 2 is a rear left perspective view of the design shown in FIG. 1;
 FIG. 3 is a rear right perspective view of the design shown in FIG. 1;
 FIG. 4 is a front right perspective view of the design shown in FIG. 1;
 FIG. 5 is a left side view of the design shown in FIG. 1;
 FIG. 6 is a right side view of the design shown in FIG. 1;
 FIG. 7 is a rear view of the design shown in FIG. 1;
 FIG. 8 is a front view of the design shown in FIG. 1;
 FIG. 9 is a top view of the design shown in FIG. 1; and,
 FIG. 10 is a bottom view of the design shown in FIG. 1.
 The broken lines shown in the figures are included for the purpose of illustrating portions of the wheel and form no part of the claimed design.

1 Claim, 10 Drawing Sheets



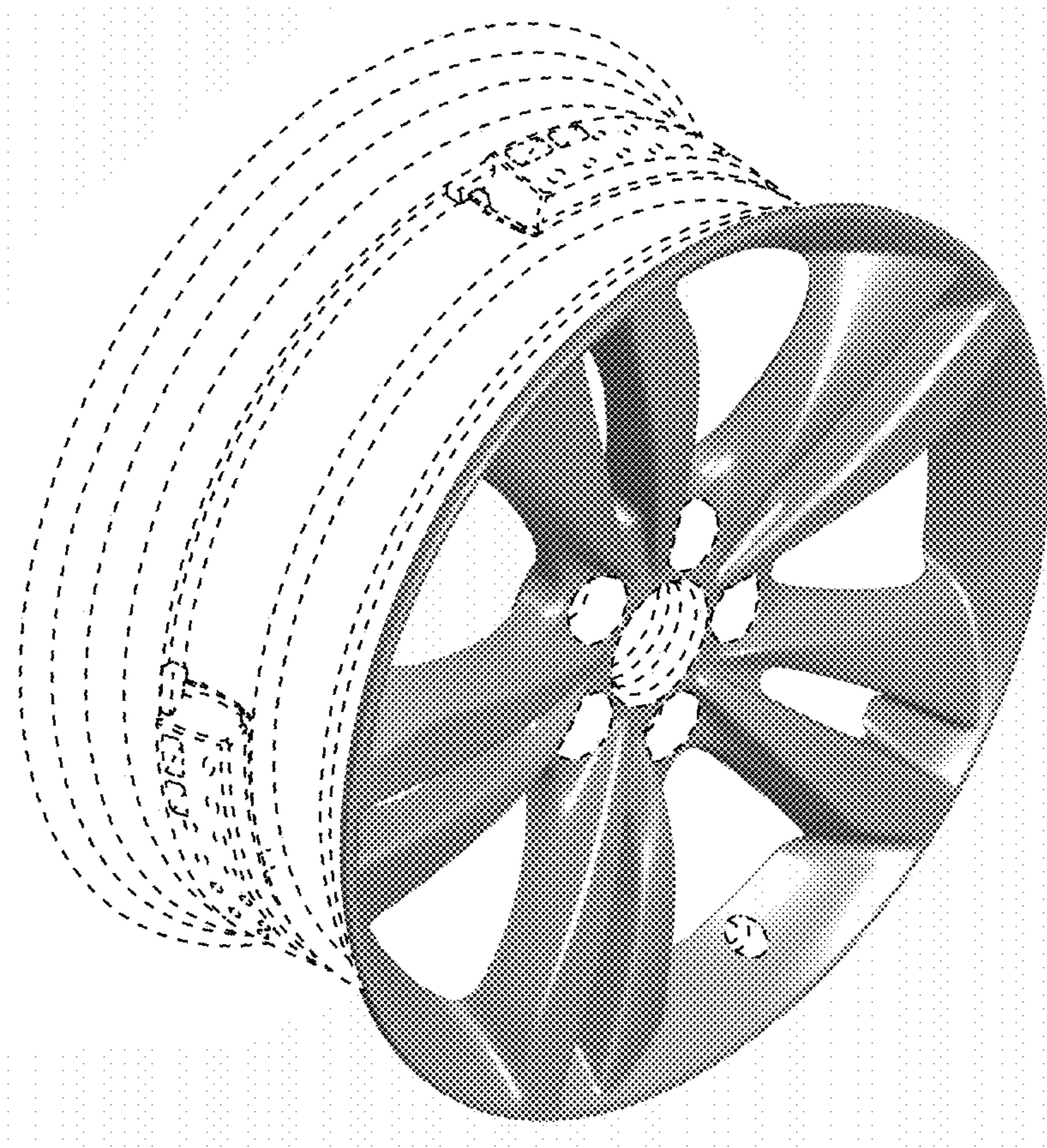


FIG. 1

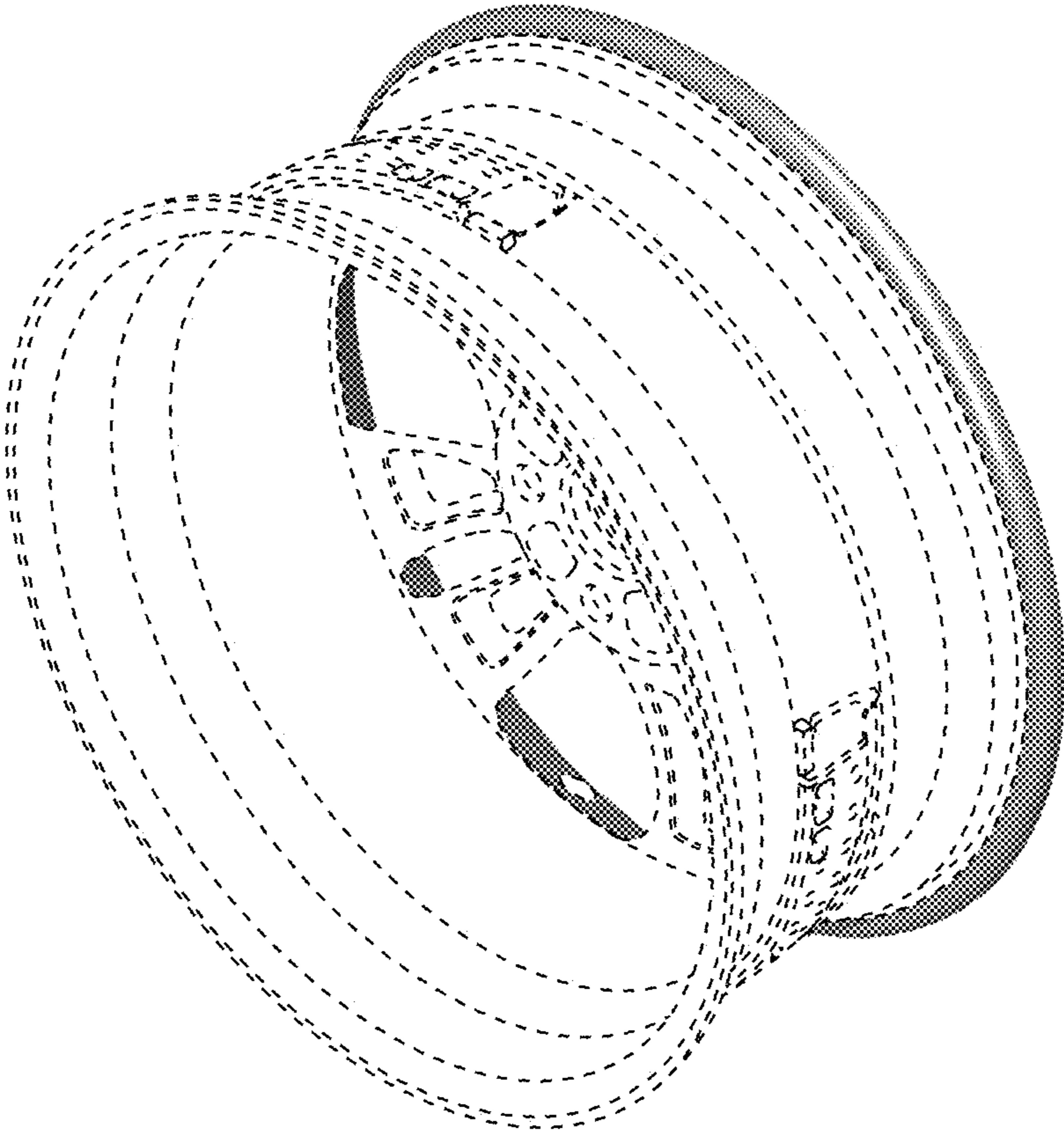


FIG. 2

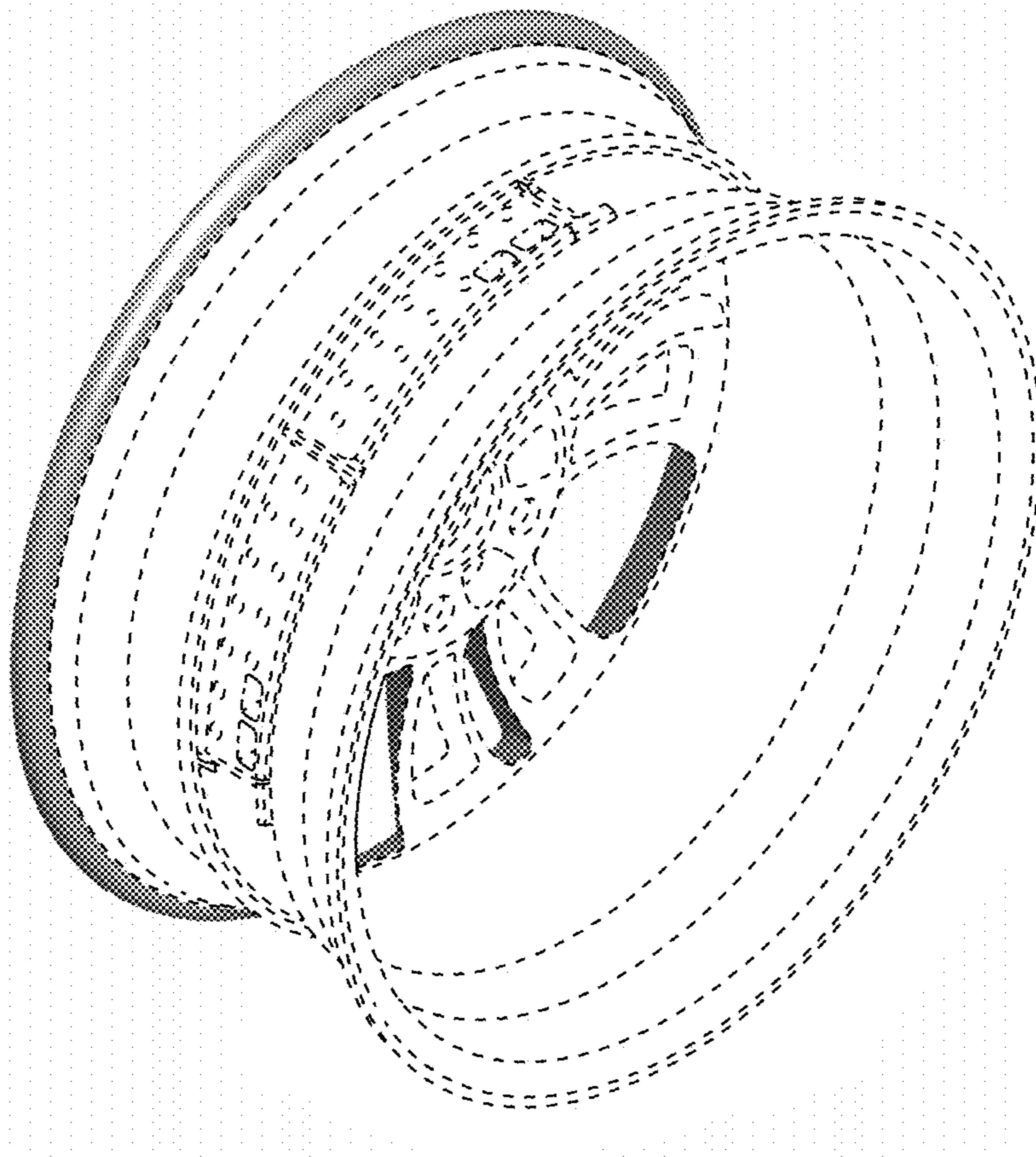


FIG. 3

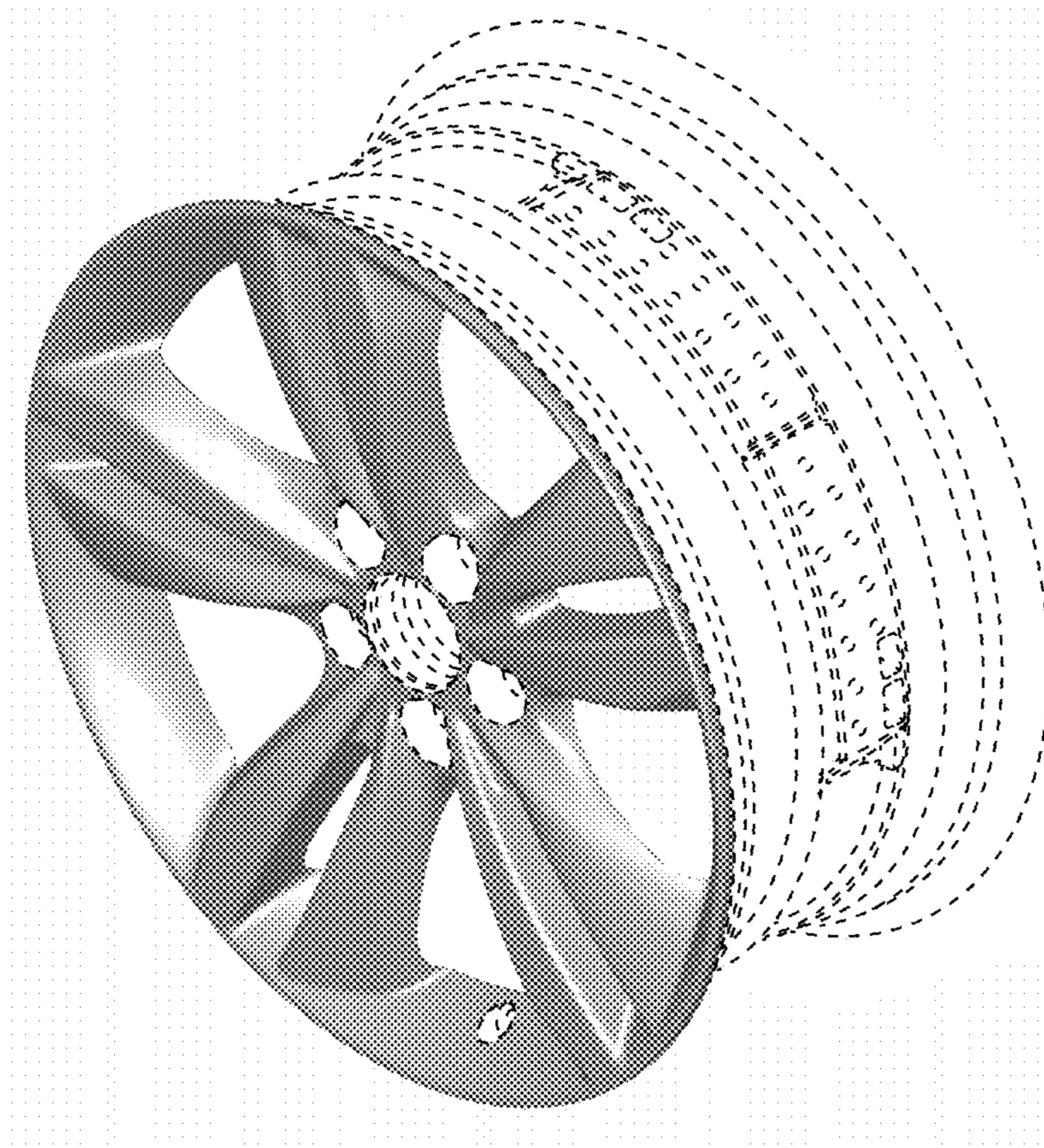


FIG. 4

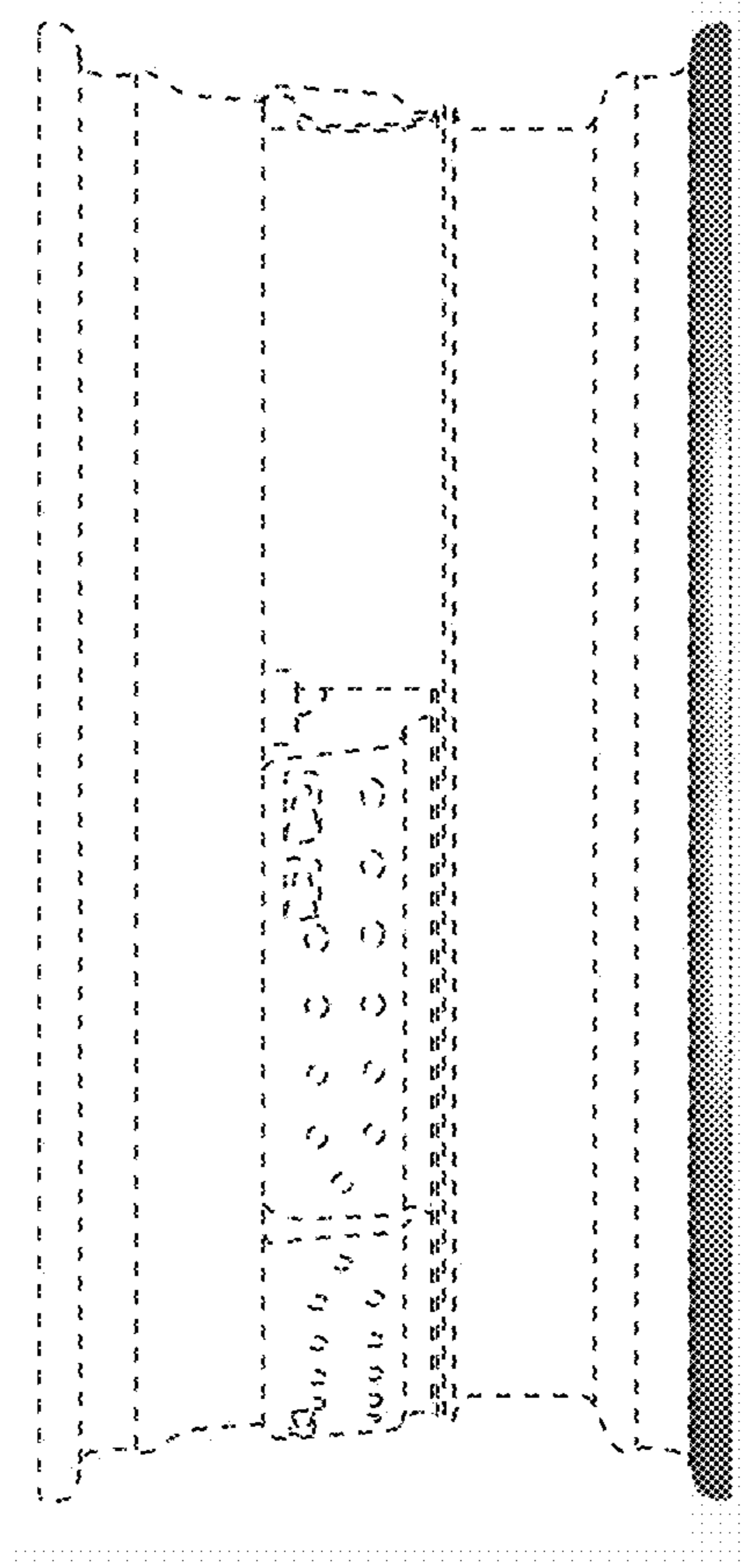


FIG. 5

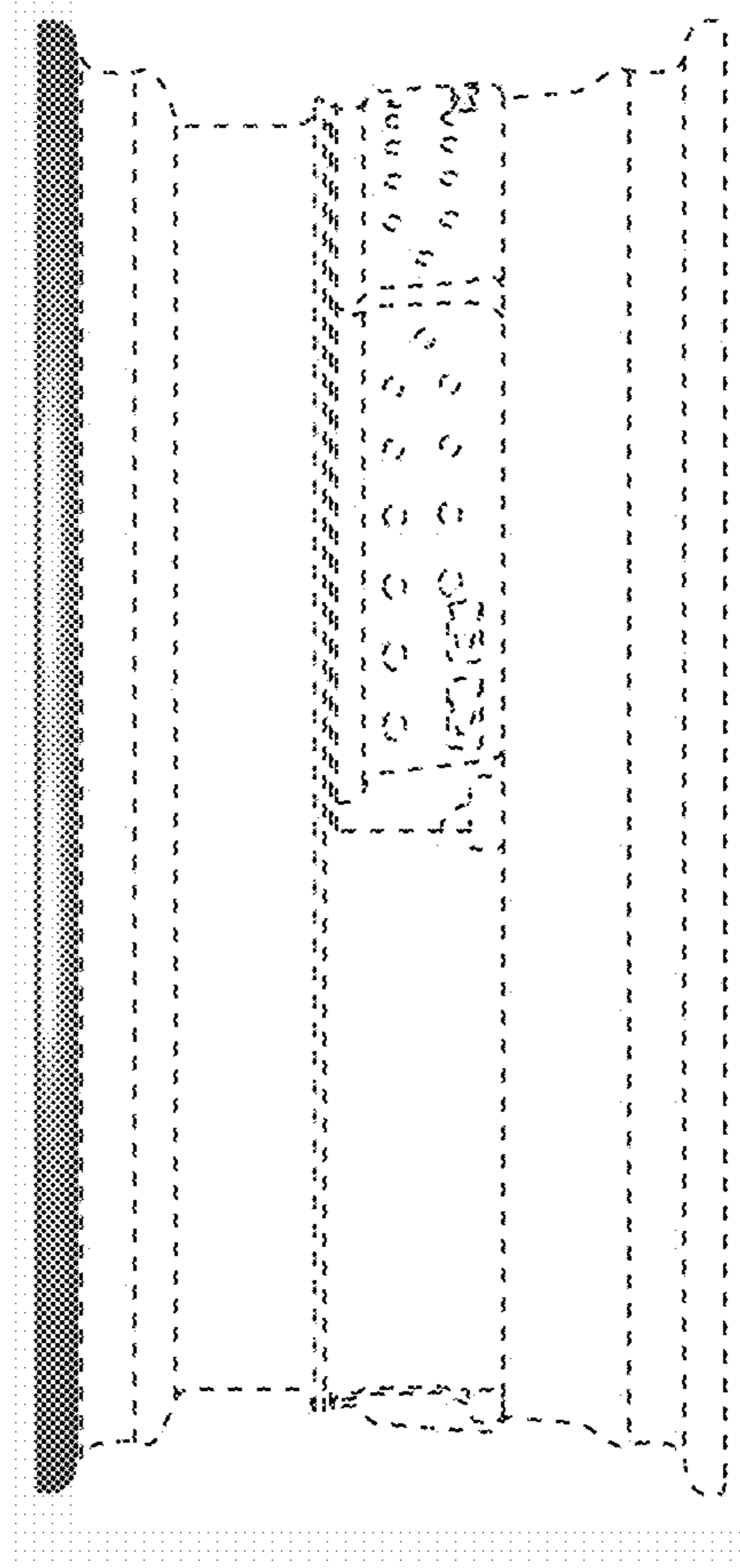


FIG. 6

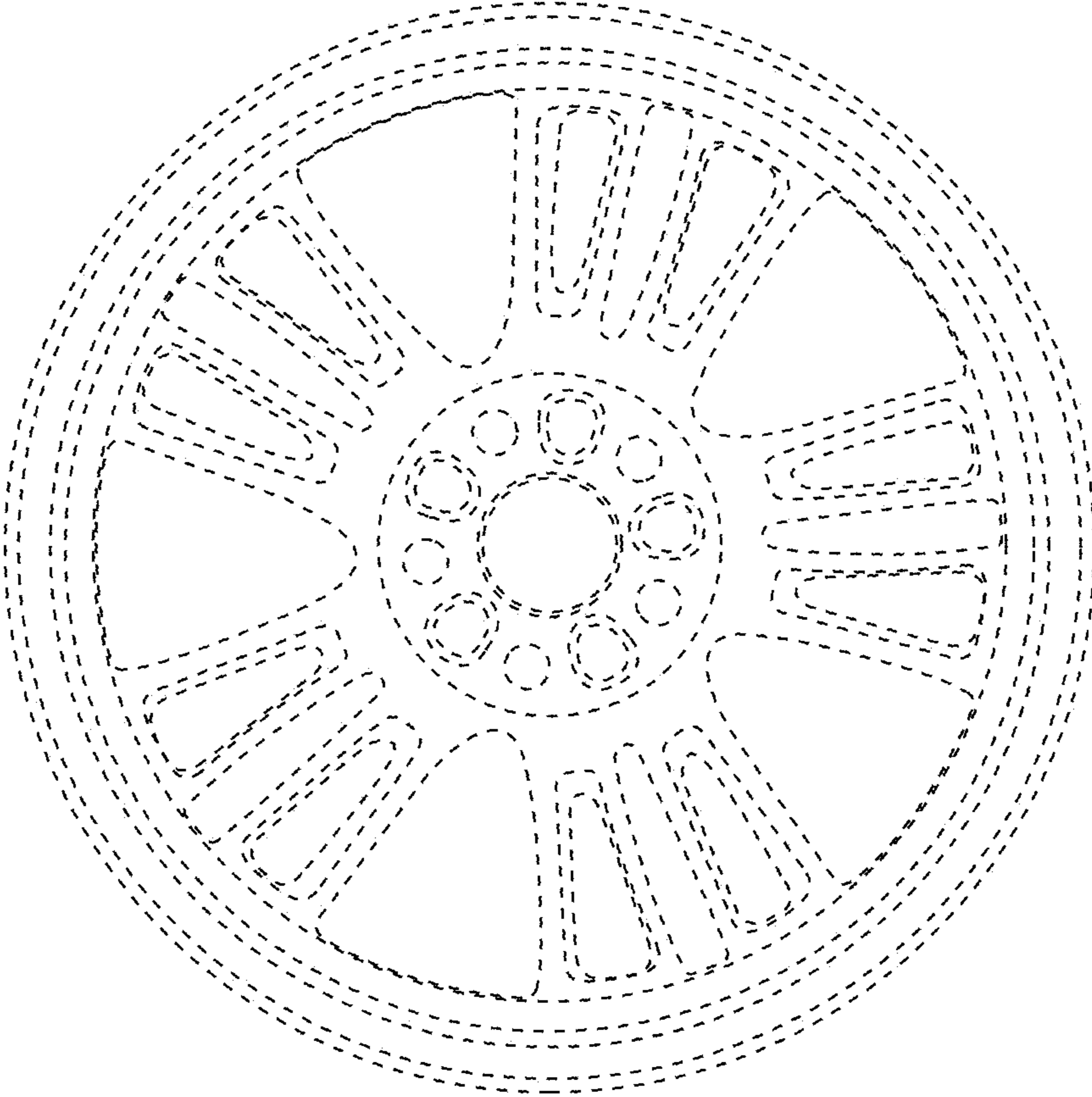


FIG. 7

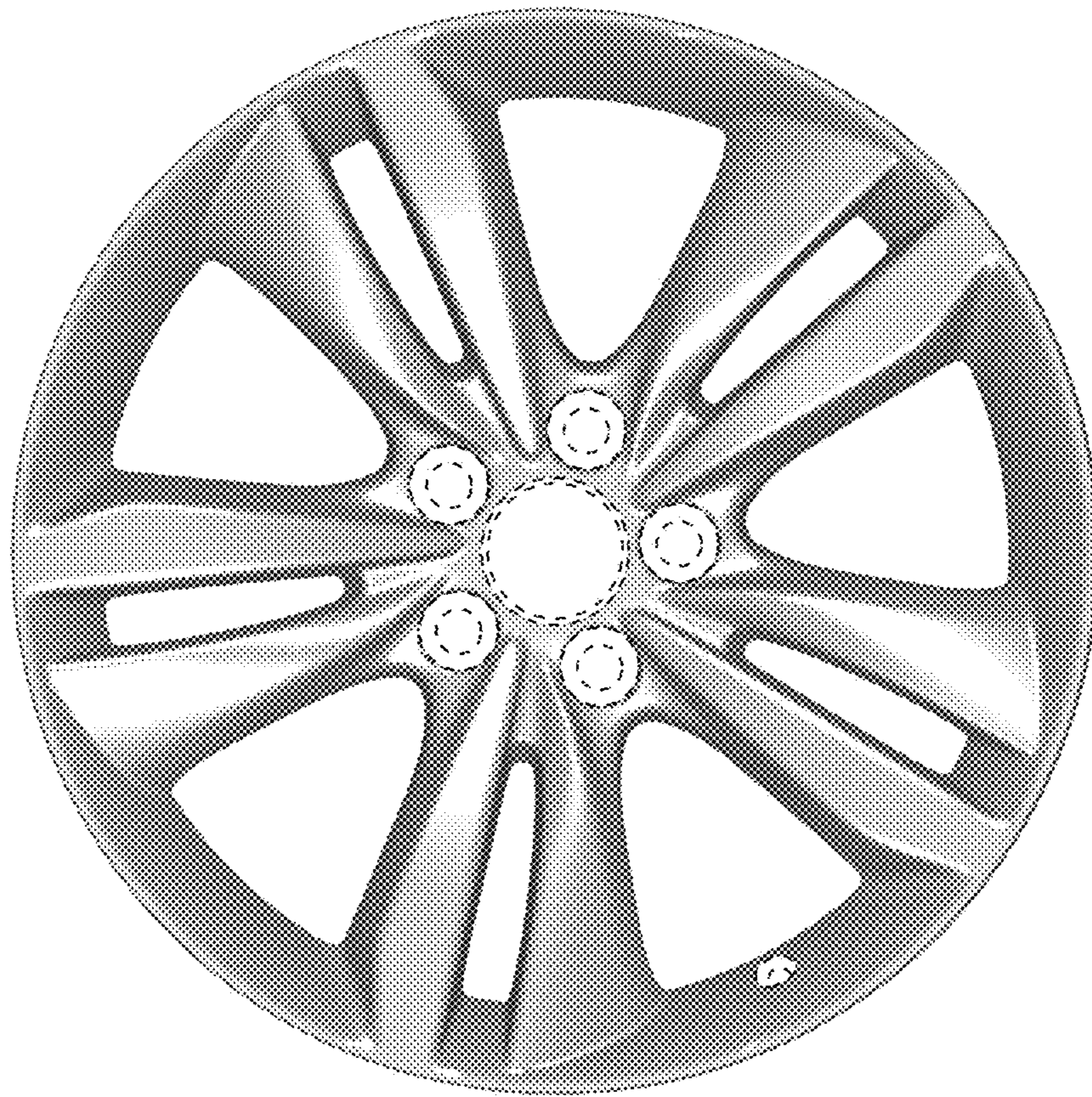


FIG. 8

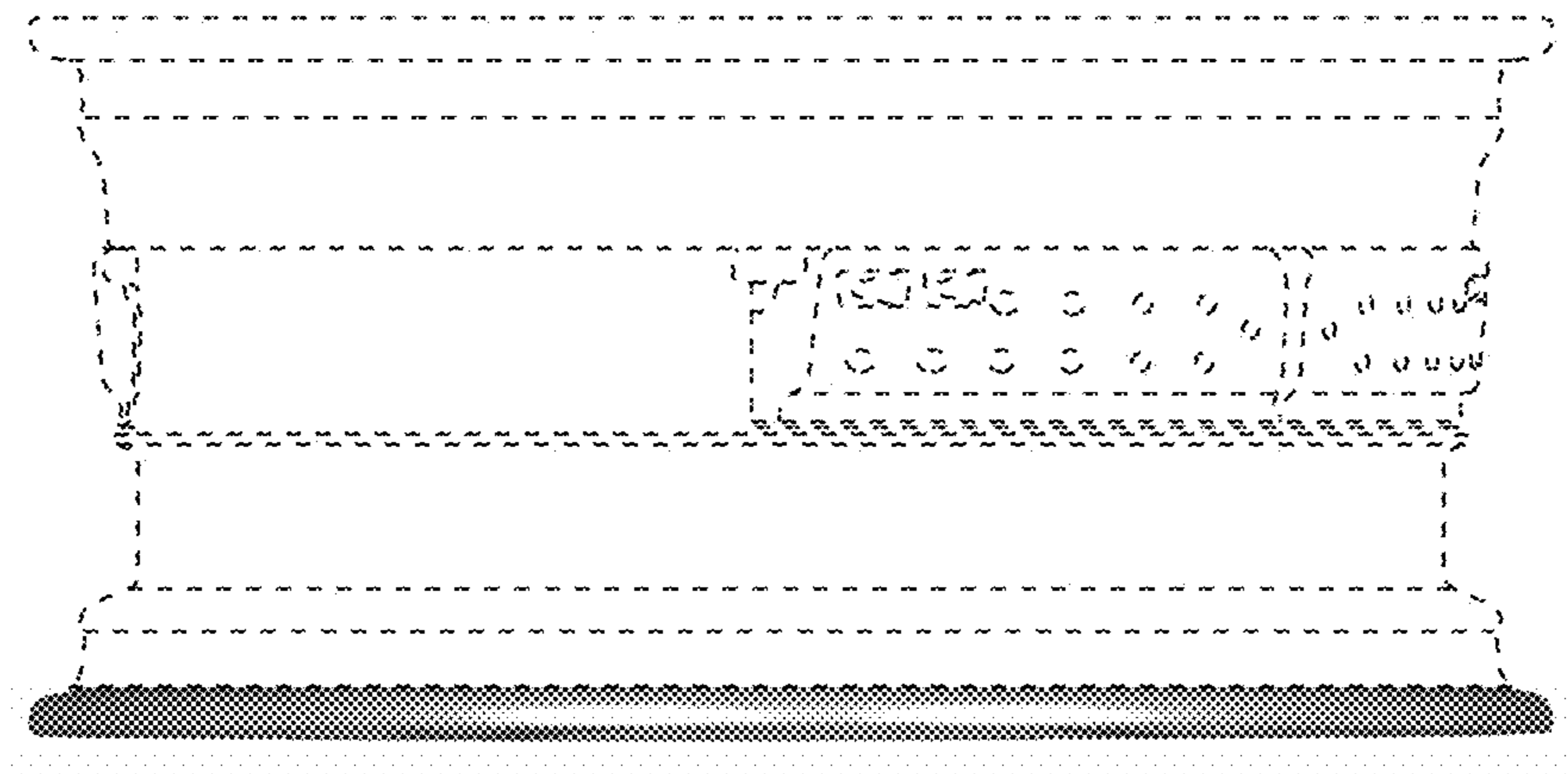


FIG. 9

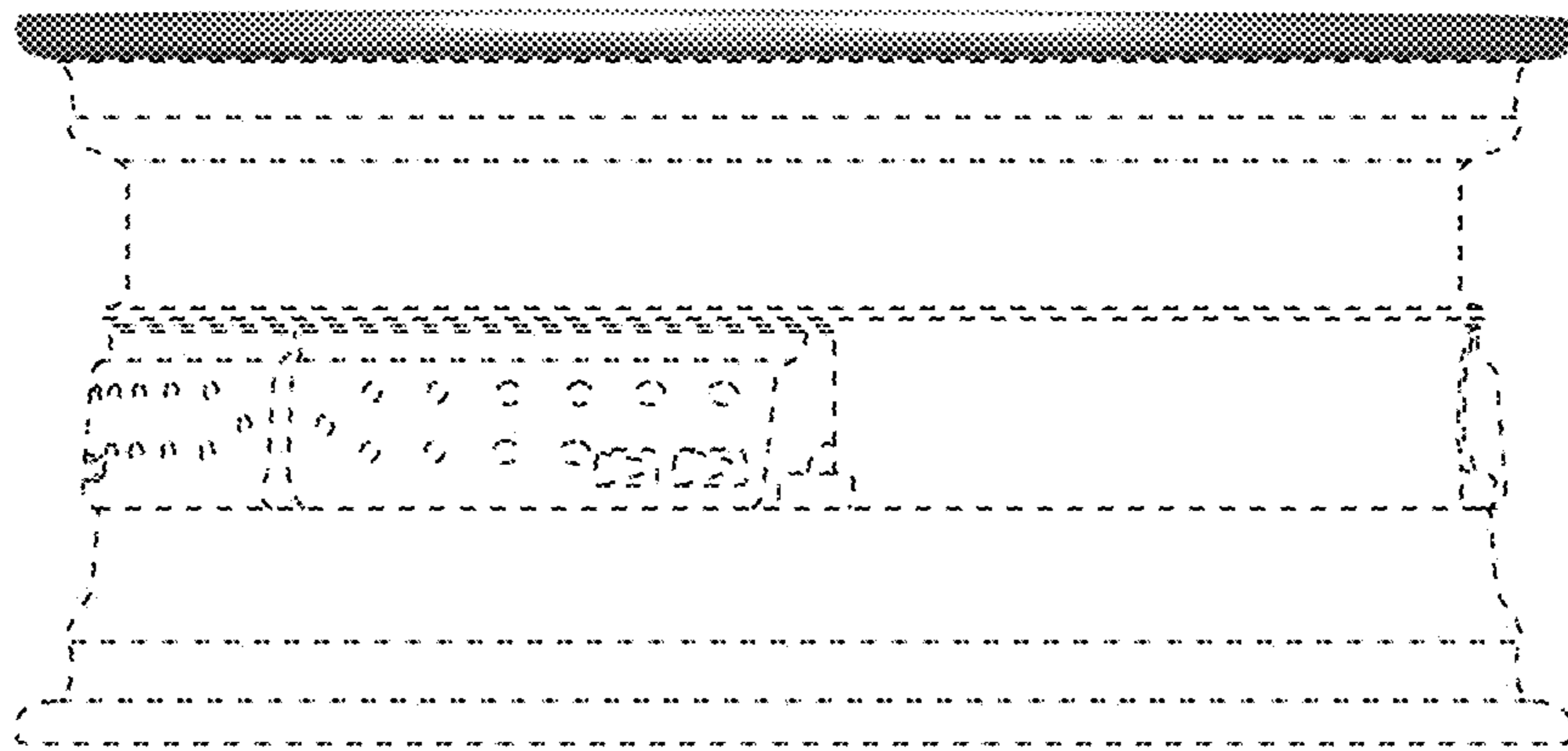


FIG. 10