



US00D899335S

(12) **United States Design Patent** (10) **Patent No.:** **US D899,335 S**
Li (45) **Date of Patent:** **** Oct. 20, 2020**

- (54) **HITCH STEP**
- (71) Applicant: **M2 Distribution Ltd.**, Port Coquitlam (CA)
- (72) Inventor: **Ming Li**, Coquitlam (CA)
- (73) Assignee: **M2 Distribution Ltd.**, Port Coquitlam (CA)
- (**) Term: **15 Years**
- (21) Appl. No.: **29/697,519**
- (22) Filed: **Jul. 9, 2019**

D843,905 S	3/2019	Guo	
D847,061 S	4/2019	MacNeil	
D858,397 S *	9/2019	Storer	D12/203
D858,398 S *	9/2019	Storer	D12/203
D858,399 S *	9/2019	Storer	D12/203
D858,400 S *	9/2019	Li	D12/203
10,464,491 B1 *	11/2019	Masanek, Jr.	B60R 3/007
2003/0011164 A1	1/2003	Cipolla	
2004/0160034 A1 *	8/2004	Mitchell	B60R 3/00 280/163
2009/0045604 A1 *	2/2009	Bernart	B60D 1/58 280/477
2013/0270791 A1	10/2013	Anderson	

(Continued)

Primary Examiner — Katrina A Betton
 (74) *Attorney, Agent, or Firm* — Eric J. Sosenko;
 Jonathan P. O'Brien; Honigman LLP

Related U.S. Application Data

- (63) Continuation of application No. 29/629,303, filed on Dec. 12, 2017, now Pat. No. Des. 858,400.
- (51) **LOC (12) Cl.** **12-16**
- (52) **U.S. Cl.**
USPC **D12/203**
- (58) **Field of Classification Search**
USPC D12/203, 89, 98, 314, 159, 160, 161, D12/162, 196
CPC . B60D 1/60; B60D 1/065; B60D 1/00; B60D 1/06; B60R 3/002; B60R 3/02; B60R 3/00; B60R 3/005; B60R 3/007
See application file for complete search history.

(57) **CLAIM**

The ornamental design for a hitch step, as shown and described.

DESCRIPTION

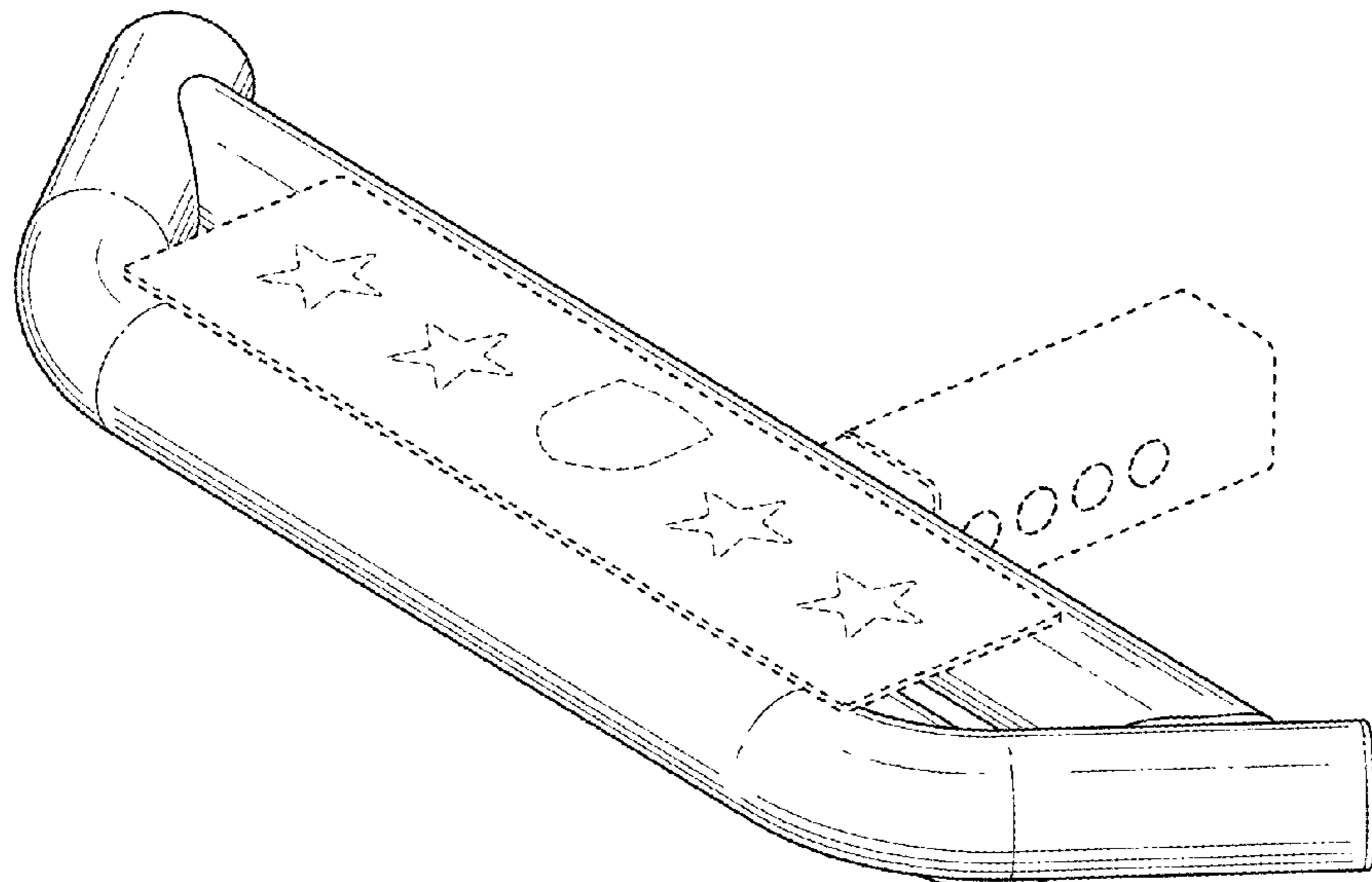
FIG. 1 is a front perspective view of a hitch step for a vehicle showing my new design;
 FIG. 2 is rear perspective view thereof;
 FIG. 3 is a right side elevational view thereof, the left side elevational view being a mirror image thereof;
 FIG. 4 is a front elevational view thereof;
 FIG. 5 is a rear elevational view thereof;
 FIG. 6 is a top plan view thereof;
 FIG. 7 is a bottom plan view thereof; and,
 FIG. 8 is another perspective view thereof, with broken lines designating environmental structure that is not part of the claimed design.
 Broken lines in the figures are for illustrative purposes only and are not part of the claimed design. Shade lines having a combination of long and short lines in the figures show contour and not surface ornamentation.

(56) **References Cited**

U.S. PATENT DOCUMENTS

D532,354 S	11/2006	Storer	
D549,623 S	8/2007	Gaddy	
D695,665 S	12/2013	Masanek, Jr.	
8,851,495 B1 *	10/2014	Masanek, Jr.	B60R 3/00 280/163
D766,797 S	9/2016	Li	
D796,405 S	9/2017	Atkins	
D815,003 S	4/2018	MacNeil	
D835,020 S	12/2018	MacNeil	

1 Claim, 4 Drawing Sheets



(56)

References Cited

U.S. PATENT DOCUMENTS

2014/0054874 A1 2/2014 Masanek, Jr.
2018/0111431 A1* 4/2018 MacNeil B29C 45/14811

* cited by examiner

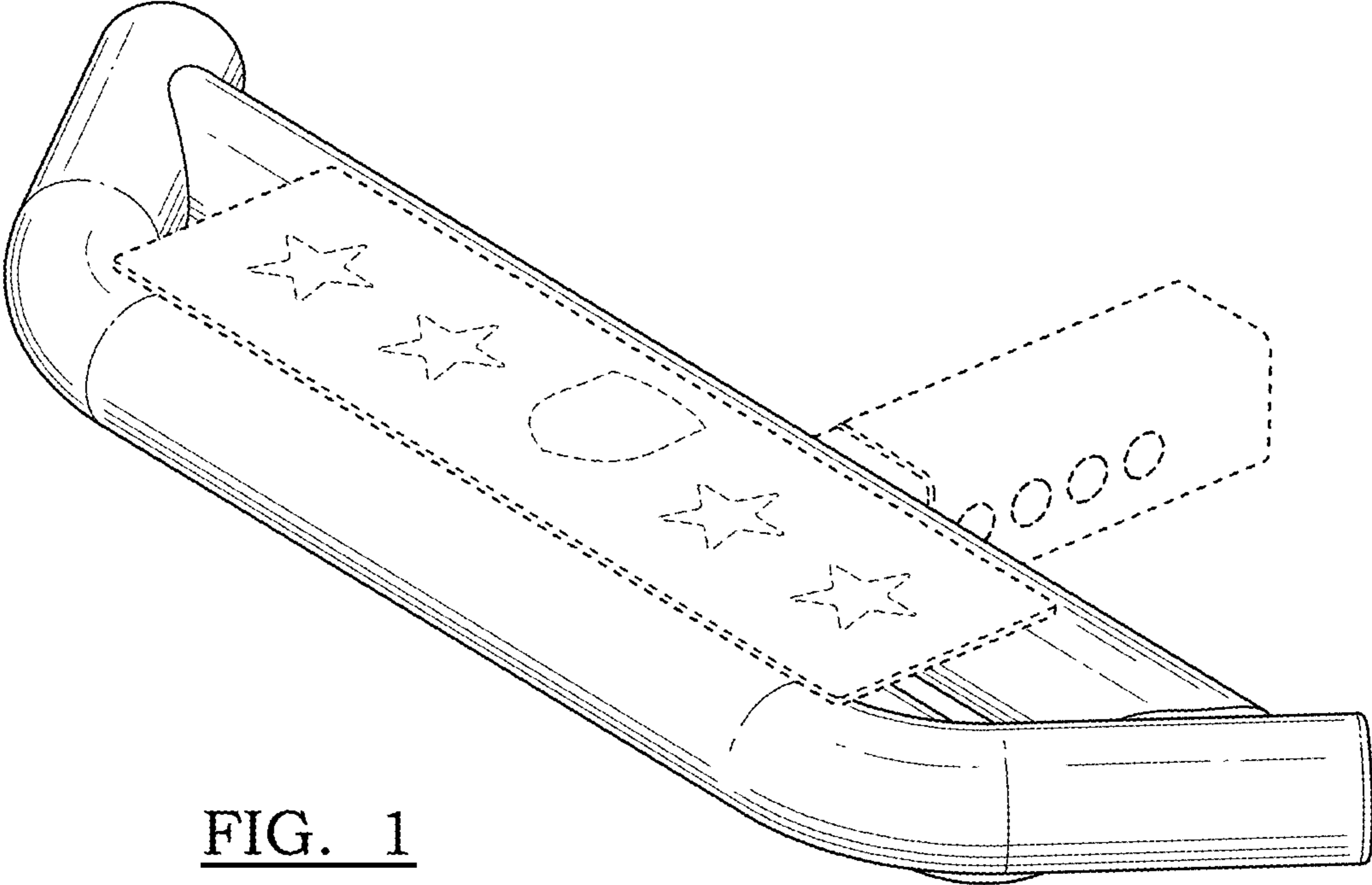


FIG. 1

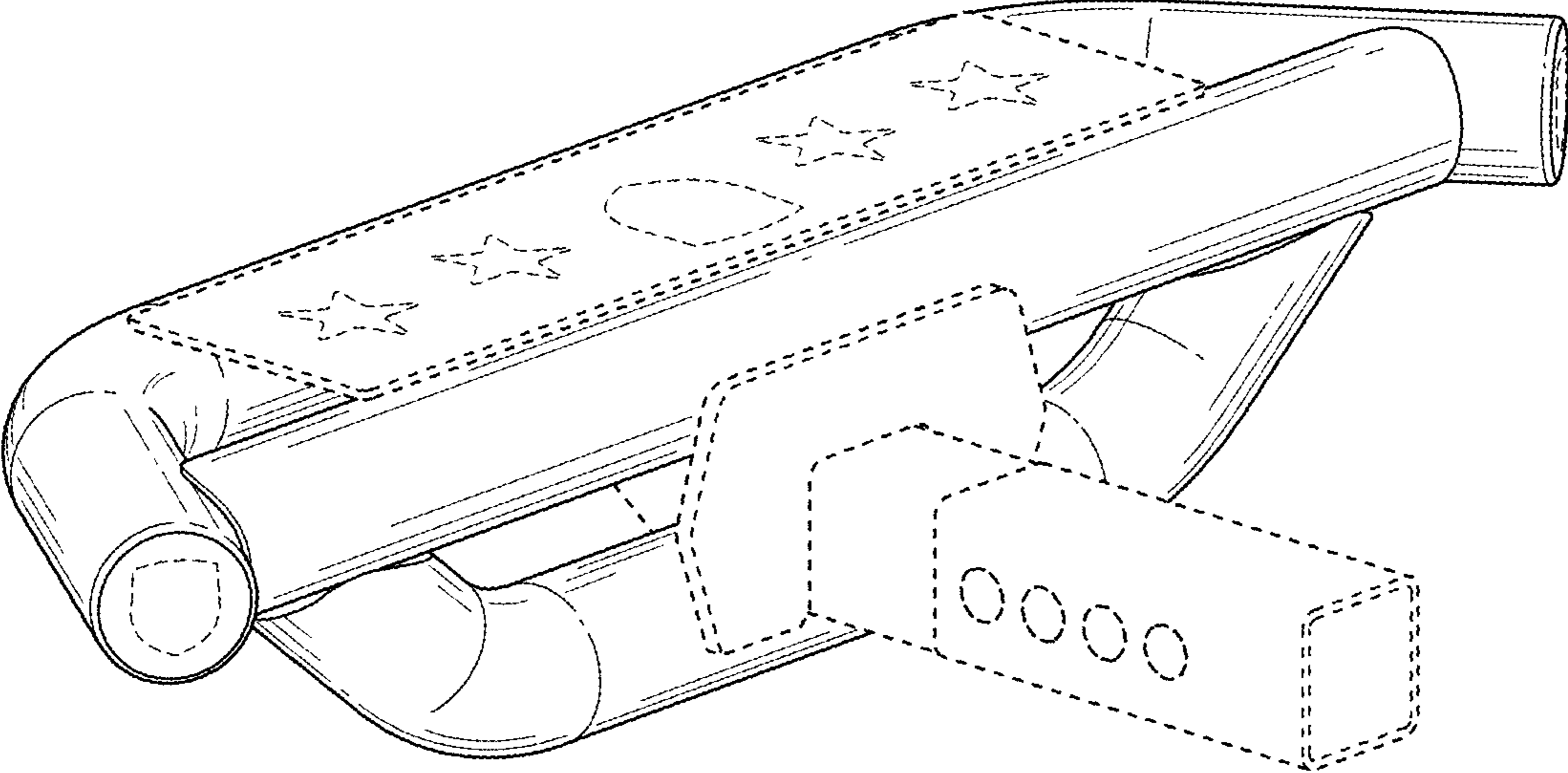


FIG. 2

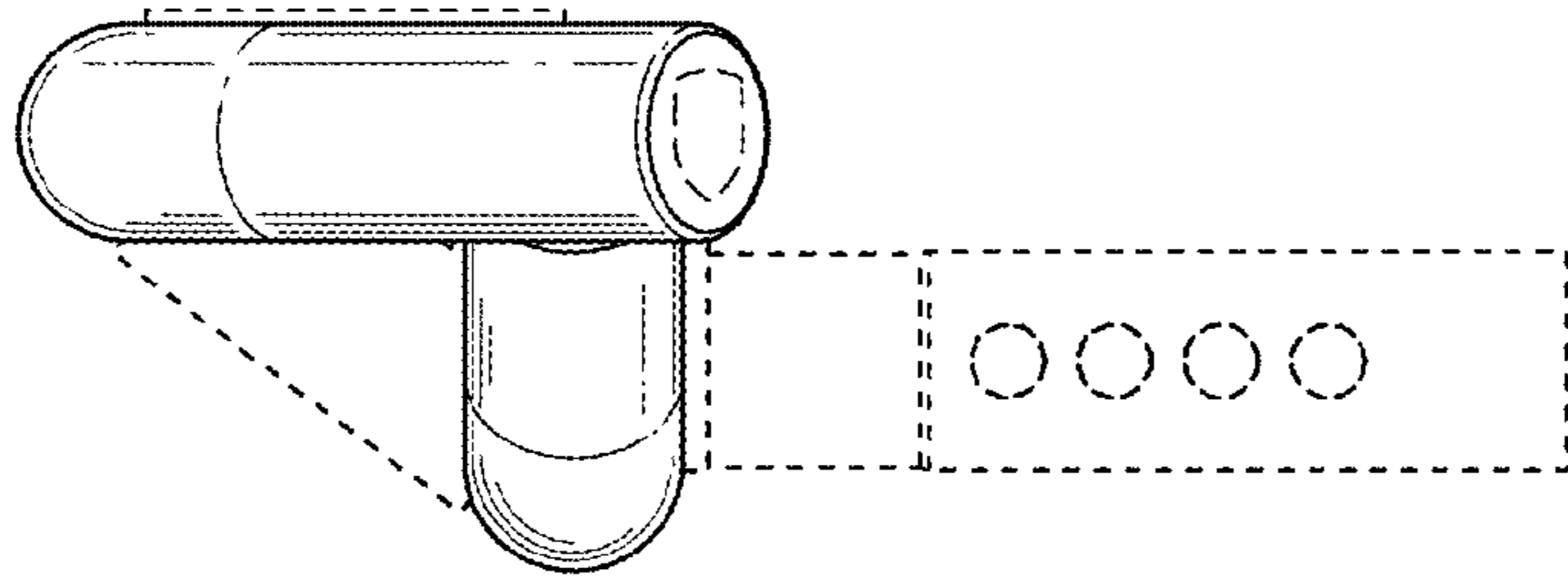


FIG. 3

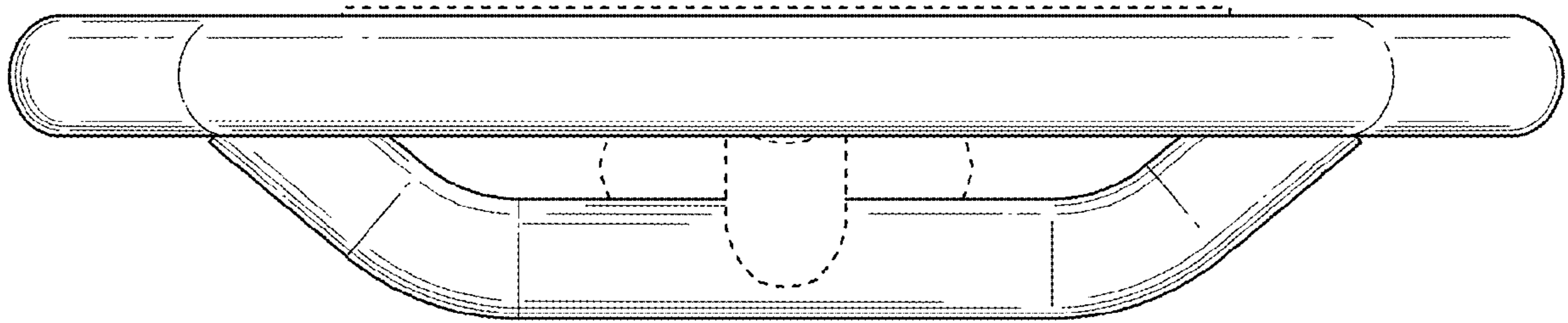


FIG. 4

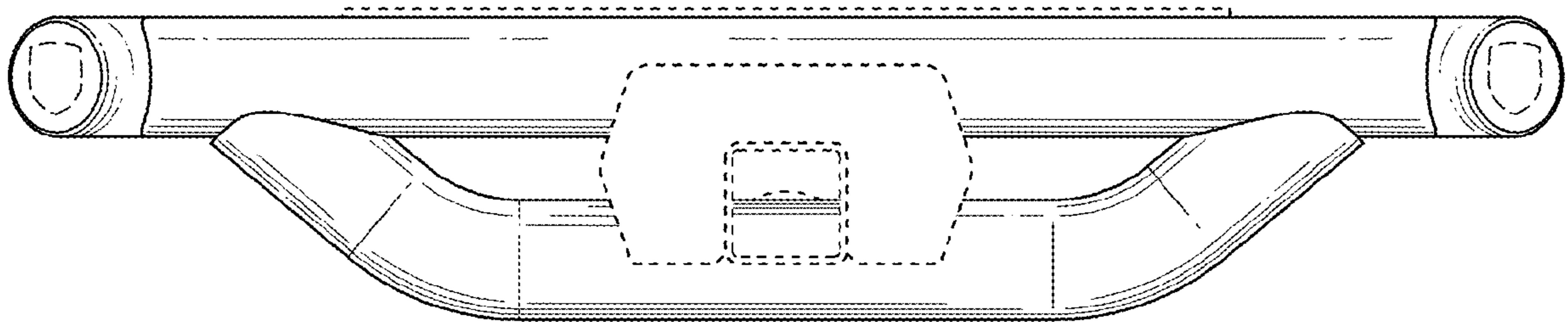


FIG. 5

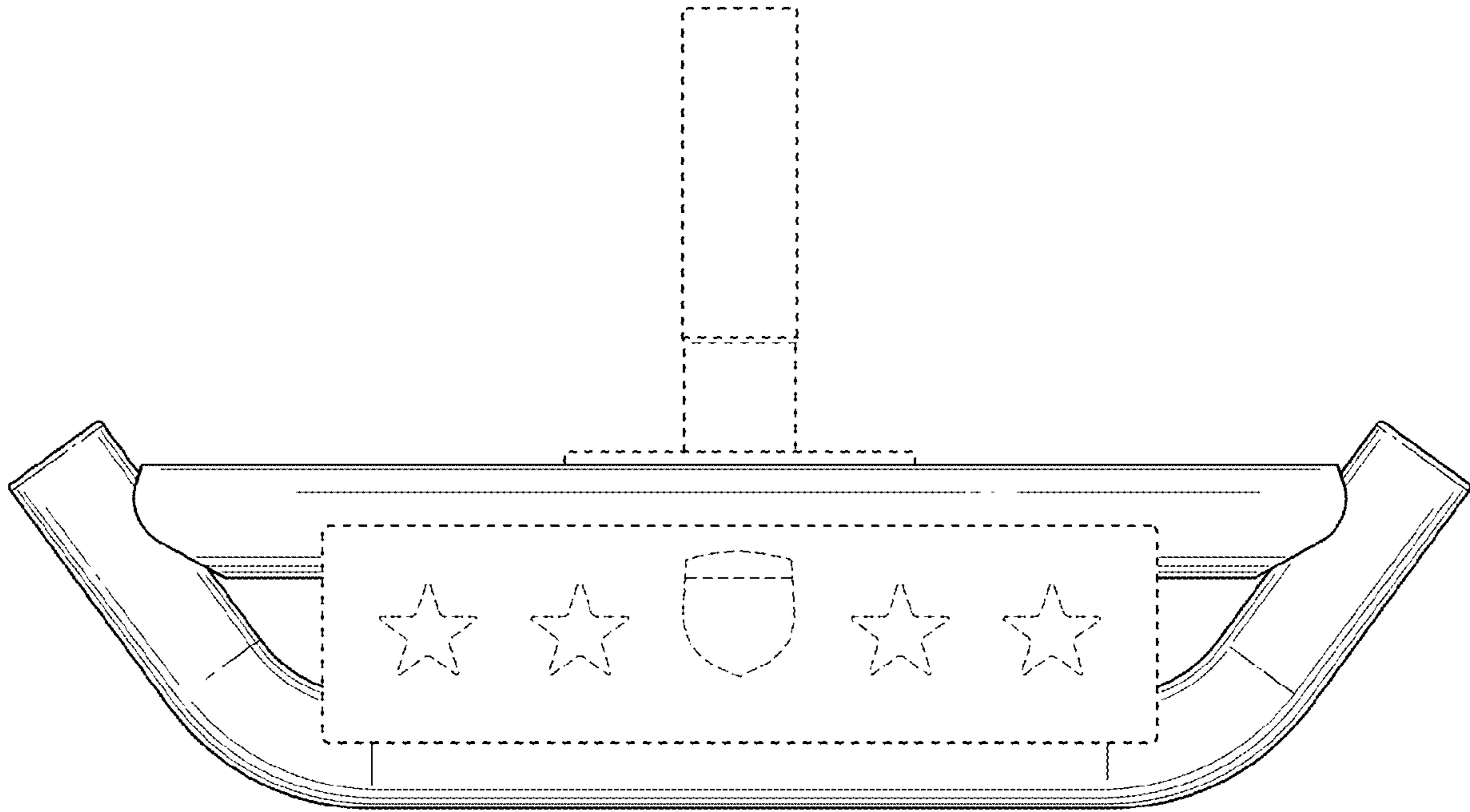


FIG. 6

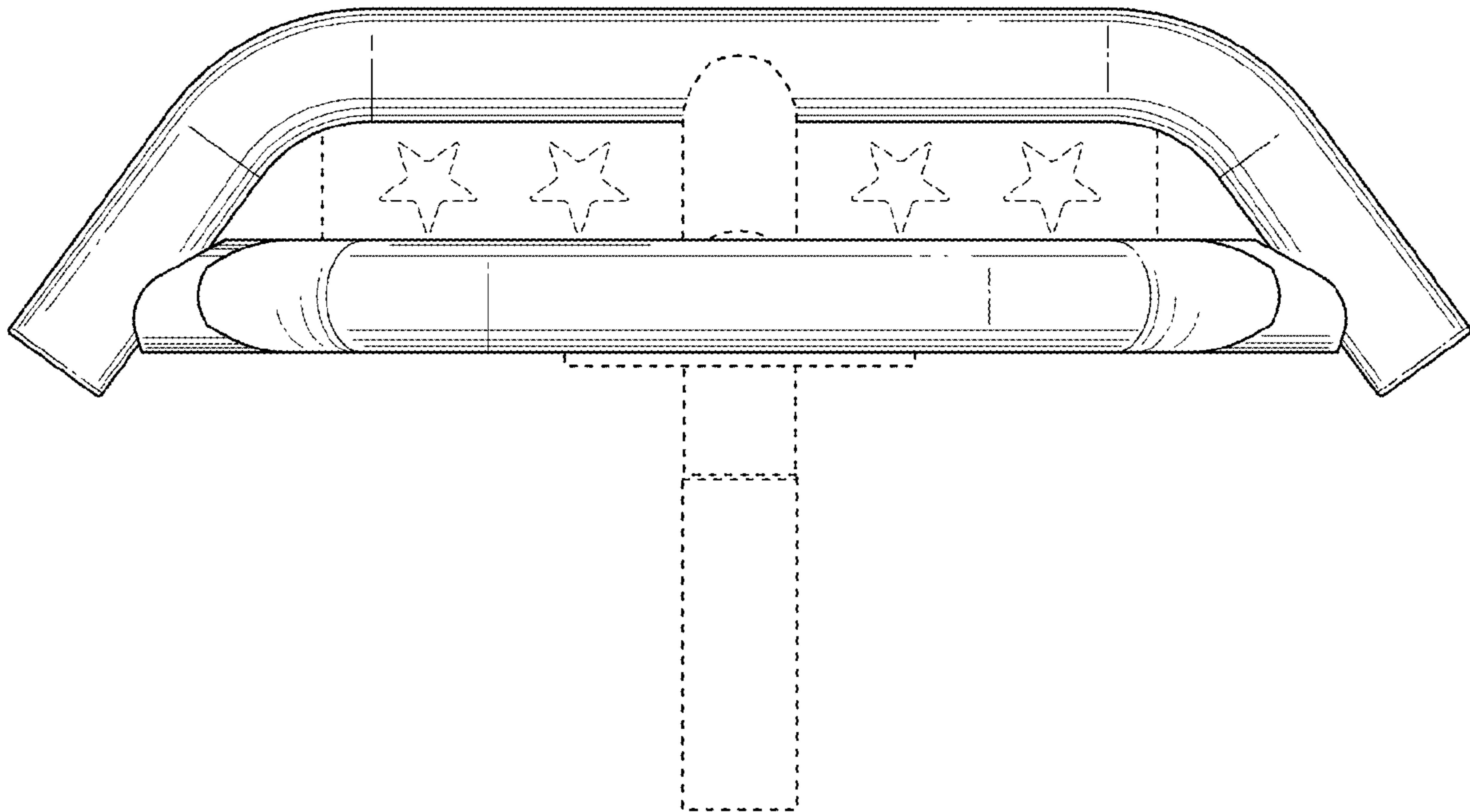


FIG. 7

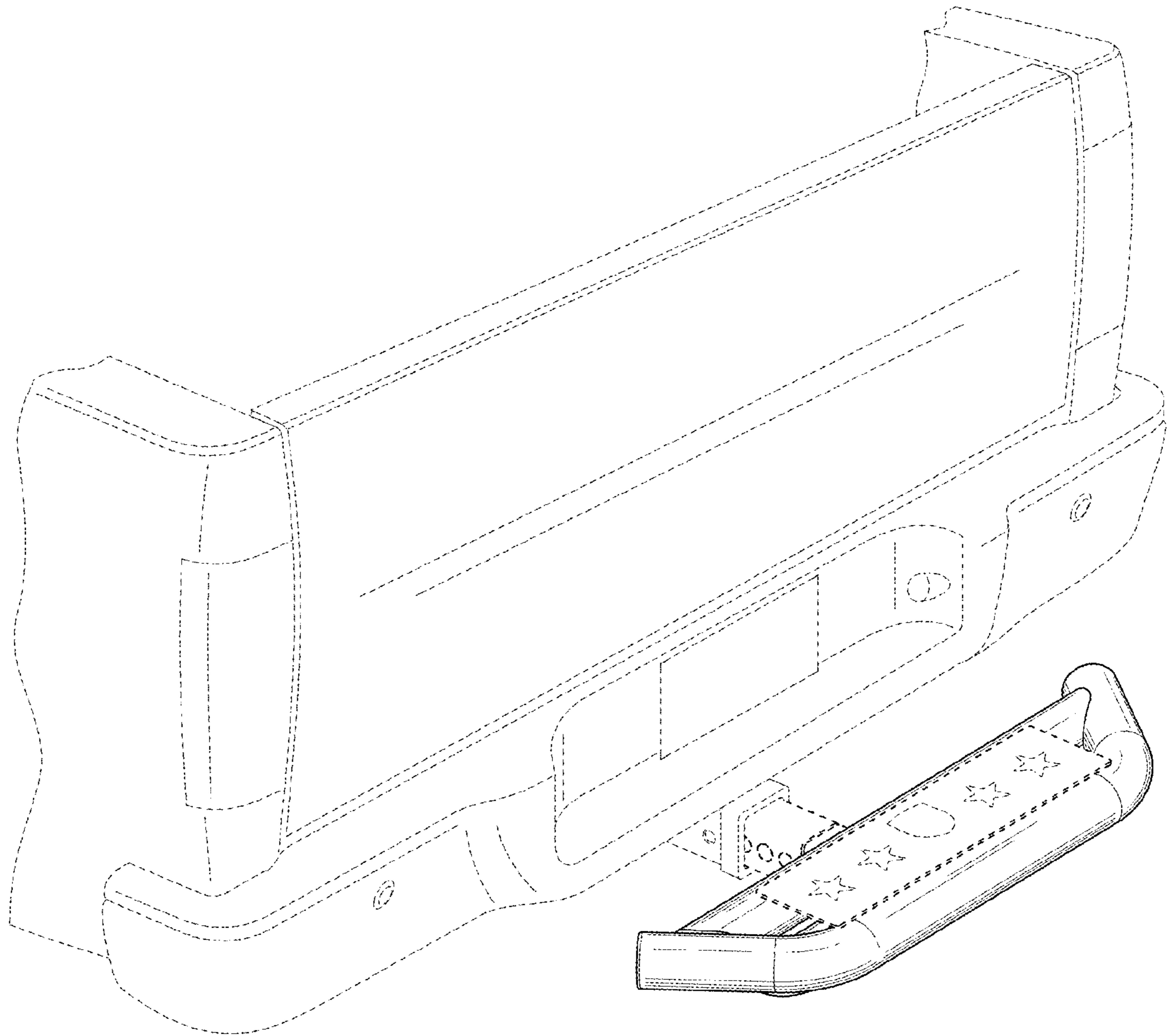


FIG. 8