



US00D899330S

(12) **United States Design Patent**  
**Zeng**

(10) **Patent No.:** **US D899,330 S**

(45) **Date of Patent:** **\*\* Oct. 20, 2020**

(54) **EXTERNAL VEHICLE SUN VISOR**

(71) Applicant: **Yanyu Zeng**, Shenzhen (CN)

(72) Inventor: **Yanyu Zeng**, Shenzhen (CN)

(\*\*) Term: **15 Years**

(21) Appl. No.: **29/704,412**

(22) Filed: **Sep. 4, 2019**

(51) **LOC (12) Cl.** ..... **12-16**

(52) **U.S. Cl.**  
USPC ..... **D12/181**

(58) **Field of Classification Search**  
USPC ..... D12/181, 182, 183, 184, 191, 400  
CPC ..... B32B 3/00; B60S 9/205  
See application file for complete search history.

(56) **References Cited**

**U.S. PATENT DOCUMENTS**

D784,877 S *	4/2017	Lee	.....	D12/181
D816,562 S *	5/2018	Whitla	.....	D12/169
D845,196 S *	4/2019	Kozub	.....	D12/172
D868,656 S *	12/2019	De Leon	.....	D12/181
D870,619 S *	12/2019	Gifford	.....	D12/181
D871,984 S *	1/2020	Munsell	.....	D12/181
D875,004 S *	2/2020	Chiang	.....	D12/181

D882,466 S *	4/2020	Yong	.....	D12/169
D886,011 S *	6/2020	Metros	.....	D12/181
D888,635 S *	6/2020	Zipfel	.....	D12/196
D889,327 S *	7/2020	Lu	.....	D12/169
D891,334 S *	7/2020	Woodhouse	.....	D12/181

\* cited by examiner

*Primary Examiner* — Katrina A Betton

(74) *Attorney, Agent, or Firm* — Law Offices of Steven W. Weinrieb

(57) **CLAIM**

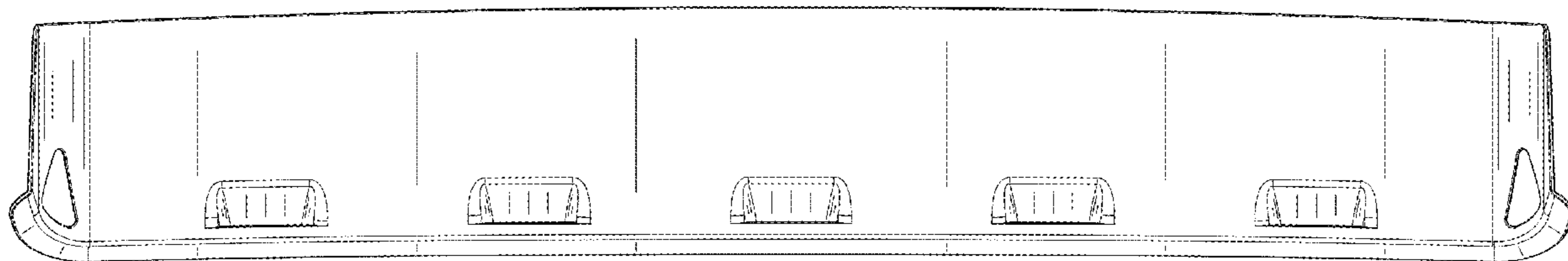
The ornamental design for an external vehicle sun visor, as shown and described.

**DESCRIPTION**

FIG. 1 is a front, right side, top perspective view of an external vehicle sun visor showing my new design; FIG. 2 is a front, left side, bottom perspective view thereof; FIG. 3 is a front elevational view thereof; FIG. 4 is a rear elevational view thereof; FIG. 5 is a left side elevational view thereof; FIG. 6 is a right side elevational view thereof; FIG. 7 is a top plan view thereof; and, FIG. 8 is a bottom plan view thereof.

The broken lines immediately adjacent to the claimed portions are boundaries, all other broken lines are environmental structures; all the broken lines form no part of the claimed design.

**1 Claim, 8 Drawing Sheets**



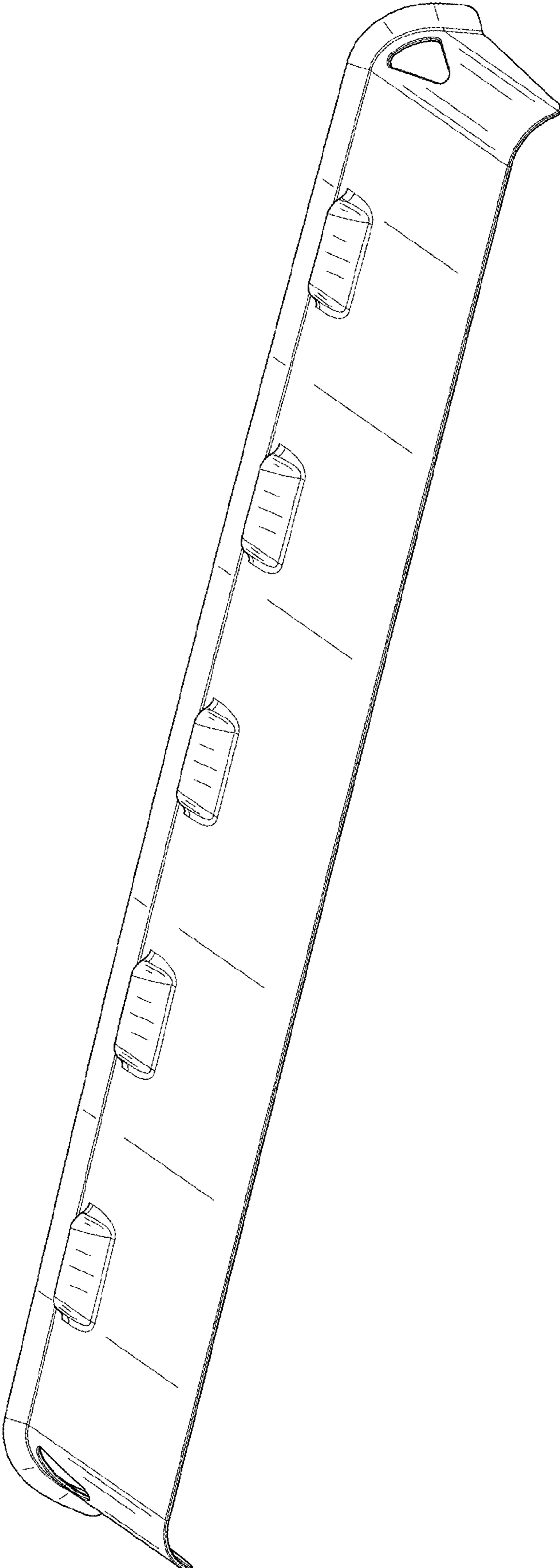


FIG.1

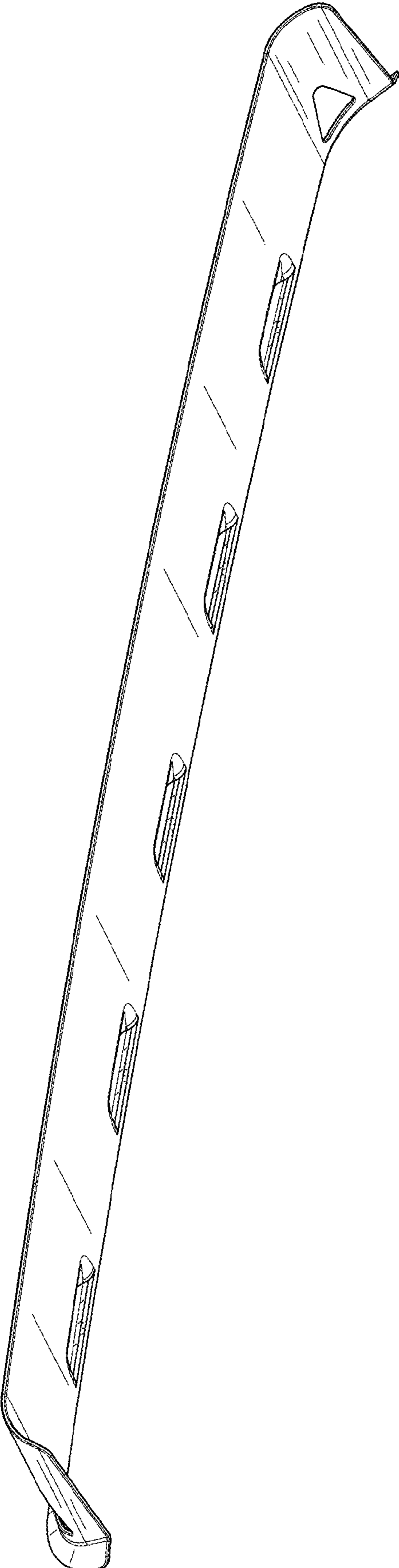


FIG.2

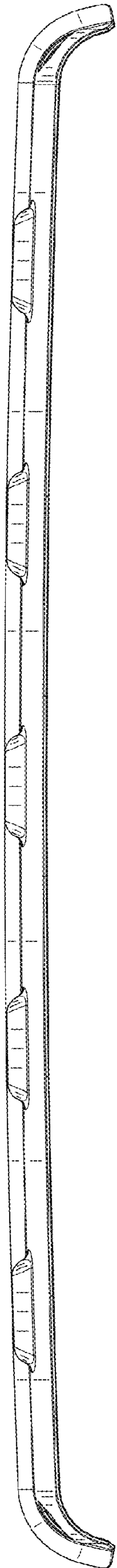


FIG.3

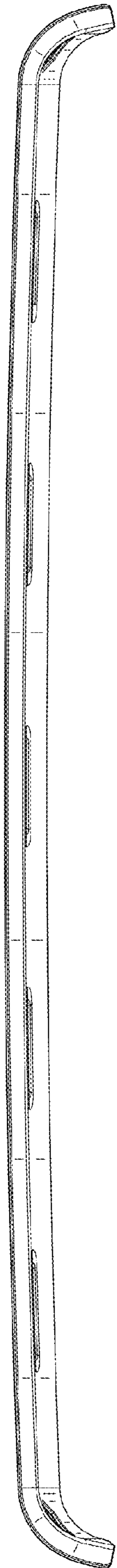


FIG.4

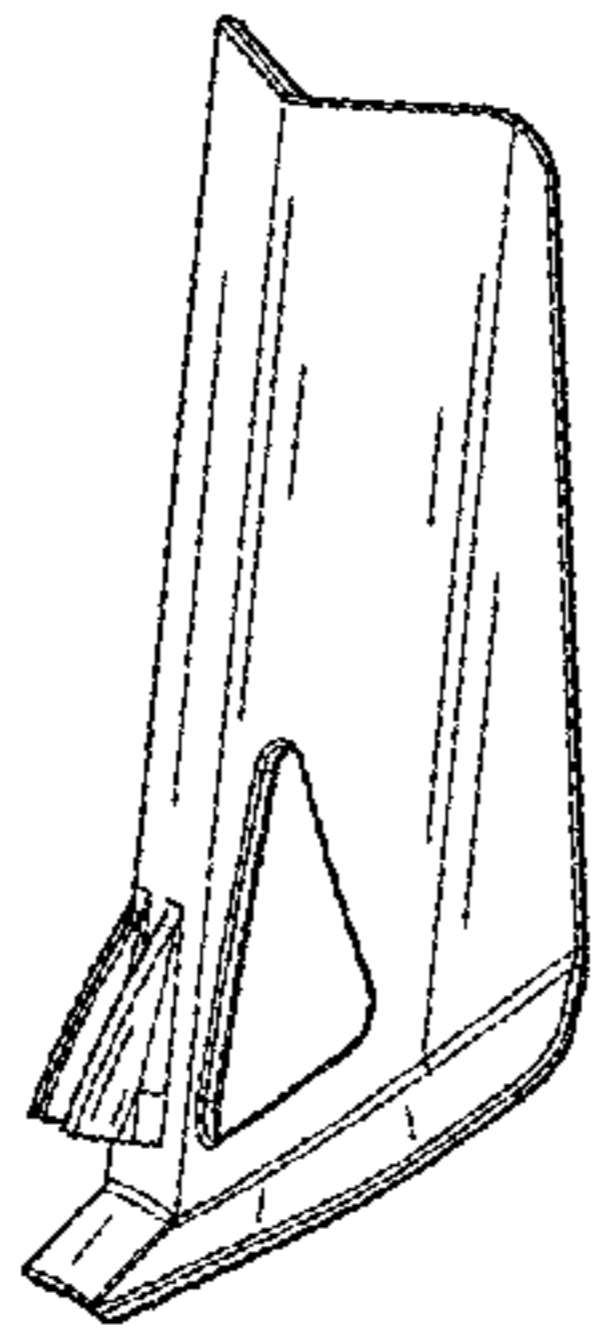


FIG. 5

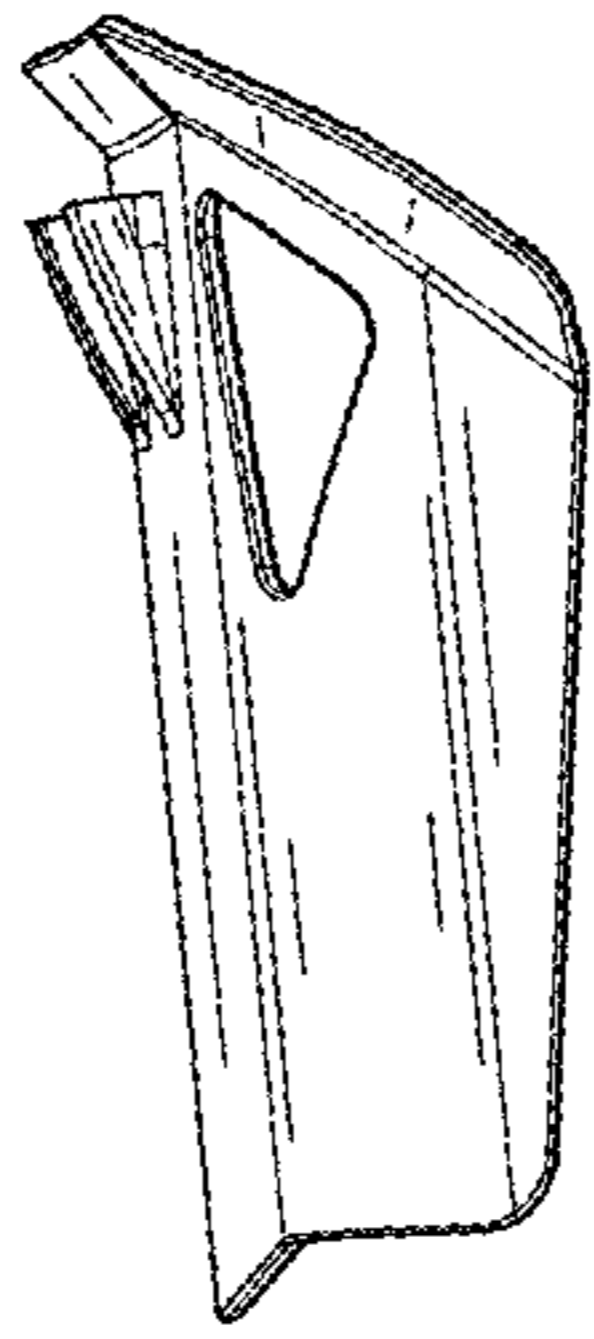


FIG.6

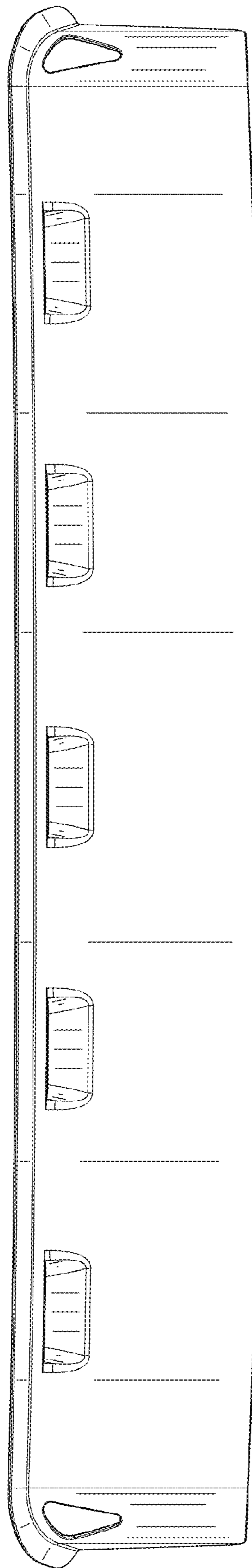


FIG. 7



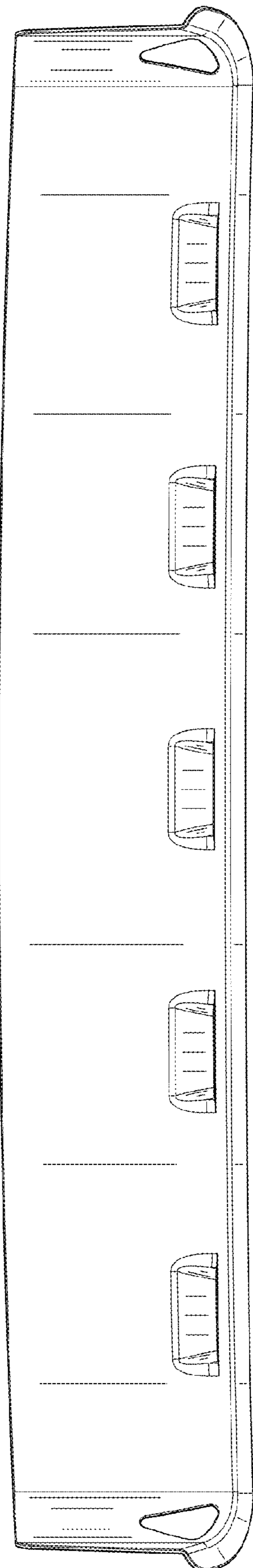


FIG.8