



US00D899328S

(12) **United States Design Patent** (10) **Patent No.:** **US D899,328 S**
Roo-Clefas et al. (45) **Date of Patent:** **** Oct. 20, 2020**

(54) **STEERING WHEEL**
(71) Applicant: **Byton Limited**, Hong Kong (HK)
(72) Inventors: **Felipe Roo-Clefas**, Munich (DE);
Sebastian Toddenroth, Munich (DE);
Benoit Jacob, Munich (DE)
(73) Assignee: **Byton Limited**, Hong Kong (HK)
(**) Term: **15 Years**
(21) Appl. No.: **29/616,359**
(22) Filed: **Sep. 5, 2017**
(51) **LOC (12) Cl.** **12-16**
(52) **U.S. Cl.**
USPC **D12/176**
(58) **Field of Classification Search**
USPC D12/175, 176; 74/552, 558, 558.5
CPC B60R 21/203; B60R 21/05; B62D 1/04
See application file for complete search history.

D716,203 S * 10/2014 Nakai D12/176
D727,231 S 4/2015 Narita et al.
D727,816 S 4/2015 Takagi et al.
D731,937 S 6/2015 Masakawa et al.
D733,722 S 7/2015 Ueda
9,090,282 B2 7/2015 Salvini
D749,106 S 2/2016 Lissemann
(Continued)

FOREIGN PATENT DOCUMENTS

DE 10145629 A1 4/2003
FR 2506690 A1 12/1982

OTHER PUBLICATIONS

The Tesla Model 3 has the most minimalistic interior I've ever seen, BusinessInsider.com, Matthew DeBord, Jul. 29, 2017, 12:14AM, [online], [site visited Feb. 20, 2019]. <URL: https://www.businessinsider.com/tesla-model-3-minimalistic-interior-2017-7> (Year: 2017).

Primary Examiner — Melody N Brown
(74) *Attorney, Agent, or Firm* — Womble Bond Dickinson (US) LLP

(56) **References Cited**
U.S. PATENT DOCUMENTS

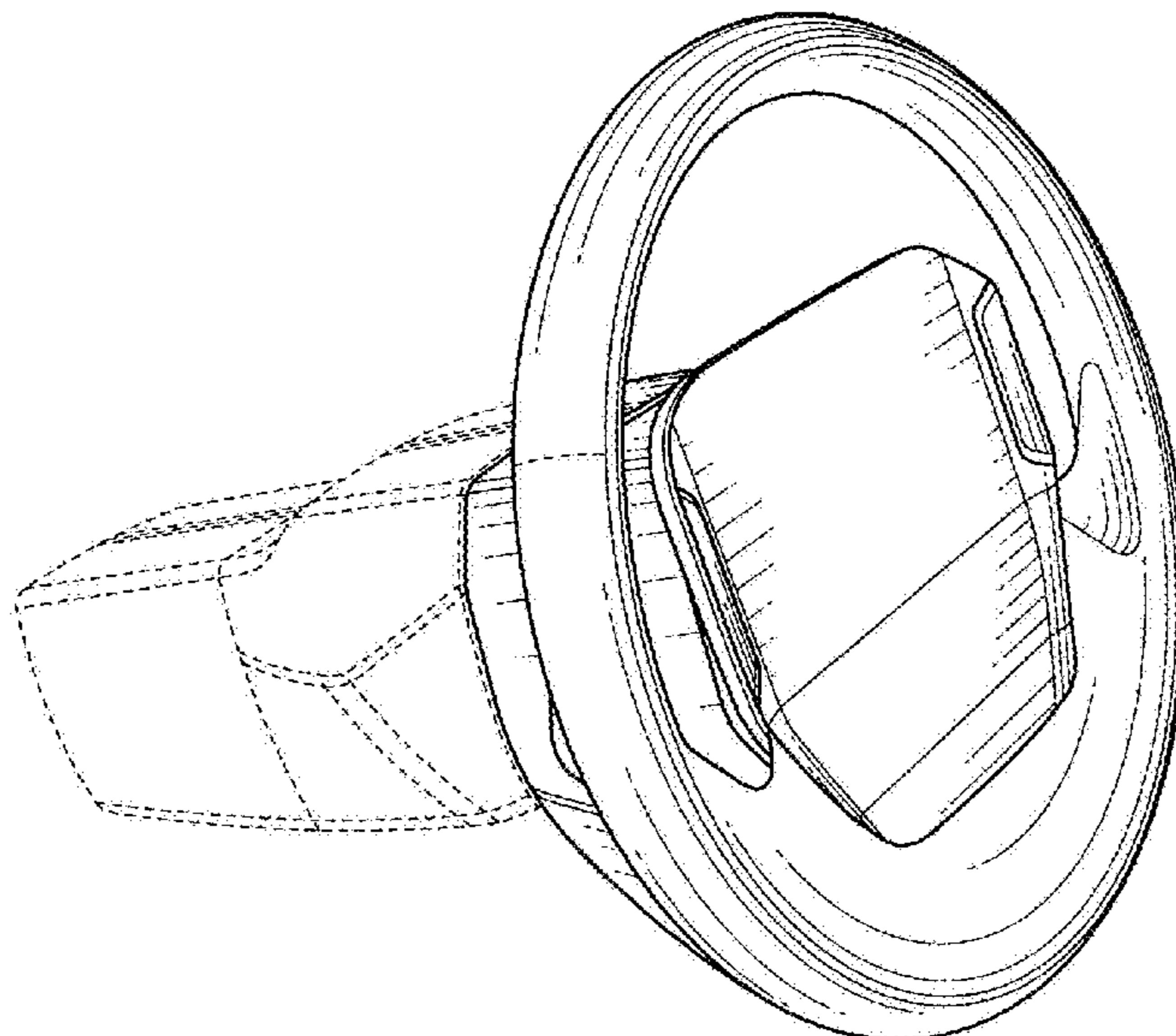
D346,997 S 5/1994 Kurtis
D356,766 S * 3/1995 Lai D12/176
D480,671 S 10/2003 Pfeiffer et al.
D564,952 S * 3/2008 Shinshima D12/176
D564,953 S * 3/2008 Tanaka D12/176
D571,697 S * 6/2008 Maeda D12/176
D592,114 S * 5/2009 Tombazis D12/176
D622,195 S 8/2010 Lester
D625,233 S 10/2010 Mizuhata et al.
D658,554 S 5/2012 Tasaki et al.
D670,628 S * 11/2012 Tasaki D12/176
D696,994 S 1/2014 Tanaka et al.
D696,997 S 1/2014 Higashikawa et al.
D705,142 S 5/2014 Yamamoto et al.
D705,144 S 5/2014 Ishikawa et al.
D705,145 S 5/2014 Mangan et al.
D713,307 S * 9/2014 Kanki D12/176

(57) **CLAIM**
The ornamental design for a steering wheel, as shown and described.

DESCRIPTION

FIG. 1 is a front perspective view of a steering wheel showing our new design;
FIG. 2 is a front view thereof;
FIG. 3 is a rear view thereof;
FIG. 4 is a left-side view thereof;
FIG. 5 is a right-side view thereof;
FIG. 6 is a top view thereof; and,
FIG. 7 is a bottom view thereof.
The broken lines show environmental structure and portions of the article and form no part of the claimed design.

1 Claim, 7 Drawing Sheets



(56)

References Cited

U.S. PATENT DOCUMENTS

D758,932 S *	6/2016	Schowalter	D12/176	D820,285 S	6/2018	Haverinen et al.
9,421,993 B2	8/2016	Spaggiari		D824,302 S	7/2018	Cadalora
D771,541 S	11/2016	Shouno et al.		D824,306 S	7/2018	Joyce
9,511,790 B2	12/2016	Spaggiari		D824,826 S	8/2018	Cadalora
D775,563 S	1/2017	Shan		D824,932 S	8/2018	Joensson et al.
D778,796 S	2/2017	Frye et al.		D825,418 S	8/2018	Cadalora
D786,758 S	5/2017	Chang et al.		D825,420 S	8/2018	Boyes
9,650,009 B2	5/2017	Bana Castro		D826,117 S	8/2018	Cadalora
D788,666 S	6/2017	Yamamoto et al.		D826,122 S	8/2018	Yamamoto
D791,664 S	7/2017	Igarashi		D828,259 S	9/2018	Takagi
D793,314 S	8/2017	Yoon et al.		D828,260 S	9/2018	Souta
D795,145 S	8/2017	Yoon et al.		D830,927 S	10/2018	Tanaka
D795,146 S	8/2017	Ogawa et al.		D836,510 S	12/2018	Nakai
D801,245 S	10/2017	Giolito		D839,882 S	2/2019	Han et al.
D803,249 S	11/2017	Masuda		D840,305 S	2/2019	Chang et al.
D808,874 S	1/2018	Gao		D847,176 S	4/2019	Zhong et al.
D809,443 S	2/2018	Walker et al.		D848,449 S	5/2019	Rettew et al.
D810,643 S	2/2018	Takamura et al.		D855,641 S	8/2019	Lewis et al.
D811,296 S	2/2018	Cadalora		D870,748 S	12/2019	Jostrand
D812,536 S	3/2018	Matsuda		D872,109 S	1/2020	Folken et al.
D813,127 S	3/2018	Yamamoto		D872,751 S	1/2020	Ziezold et al.
D813,769 S	3/2018	Yaguchi		D873,278 S	1/2020	Nakahara
D817,832 S	5/2018	Maezono		2008/0092061 A1	4/2008	Bankston et al.
D819,533 S	6/2018	Choi		2009/0187335 A1	7/2009	Muhlfelder et al.
				2010/0123737 A1	5/2010	Williamson et al.
				2013/0325481 A1	12/2013	Van Os et al.
				2013/0345980 A1	12/2013	Van Os et al.

* cited by examiner

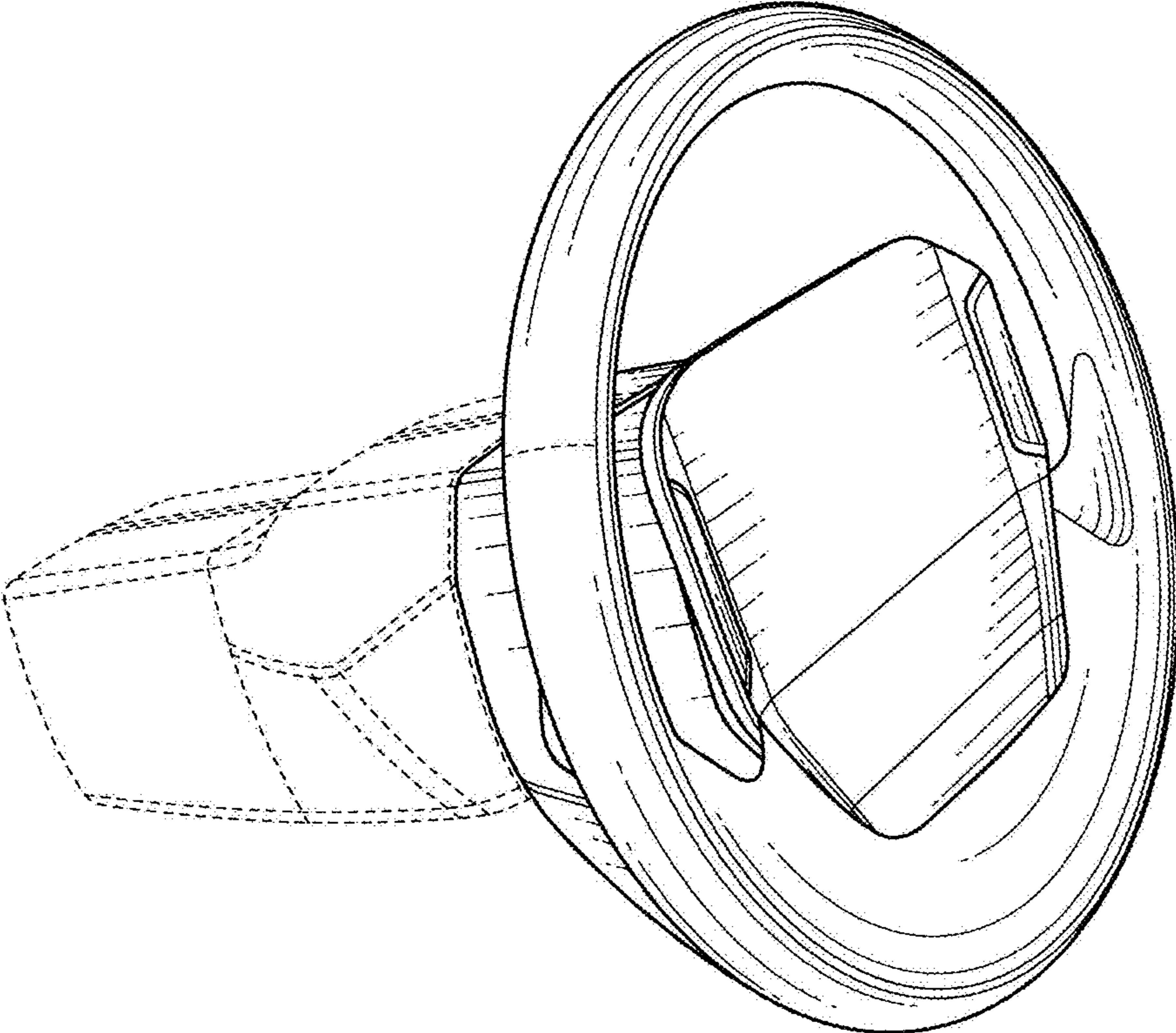


FIG. 1

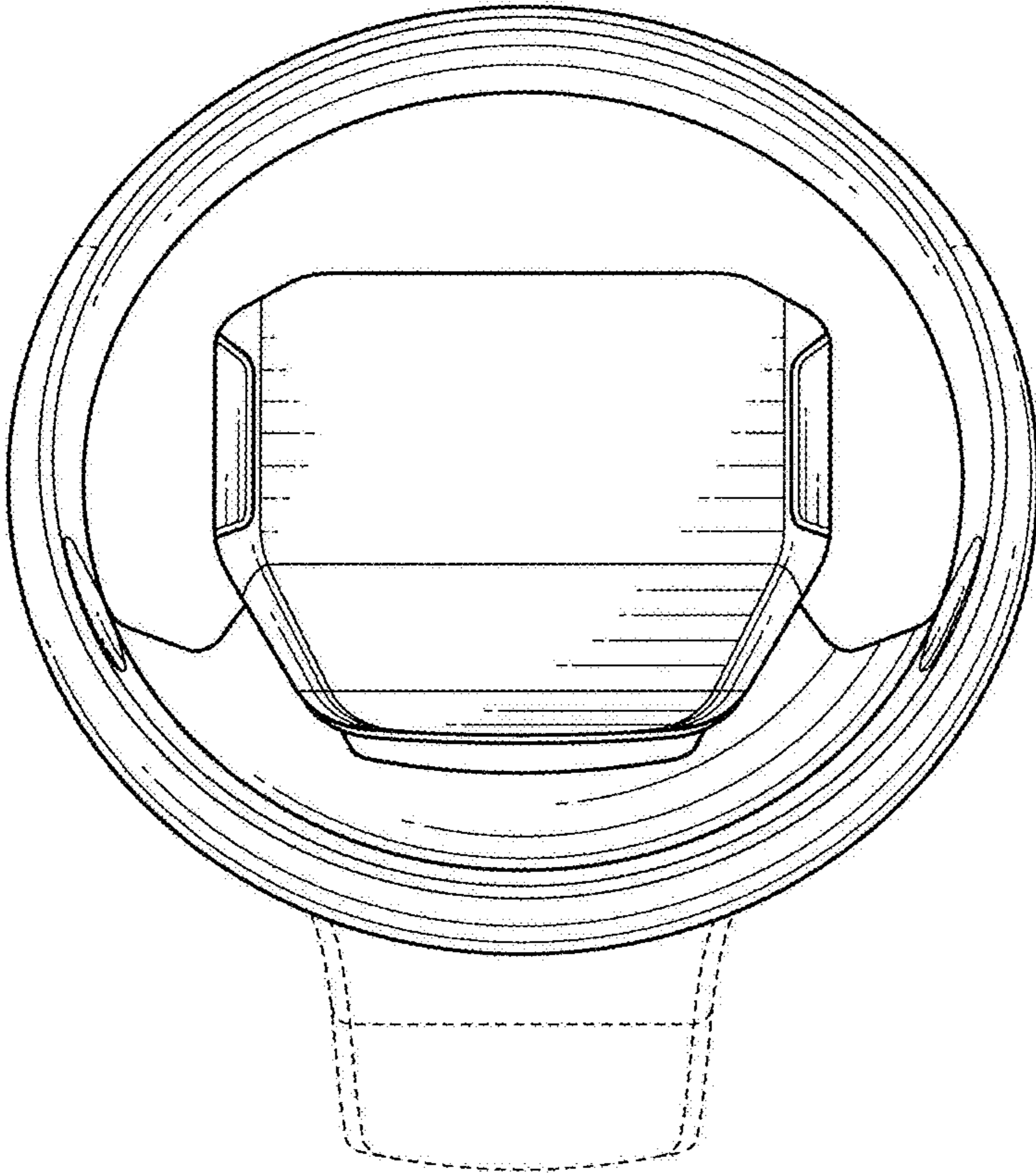


FIG. 2

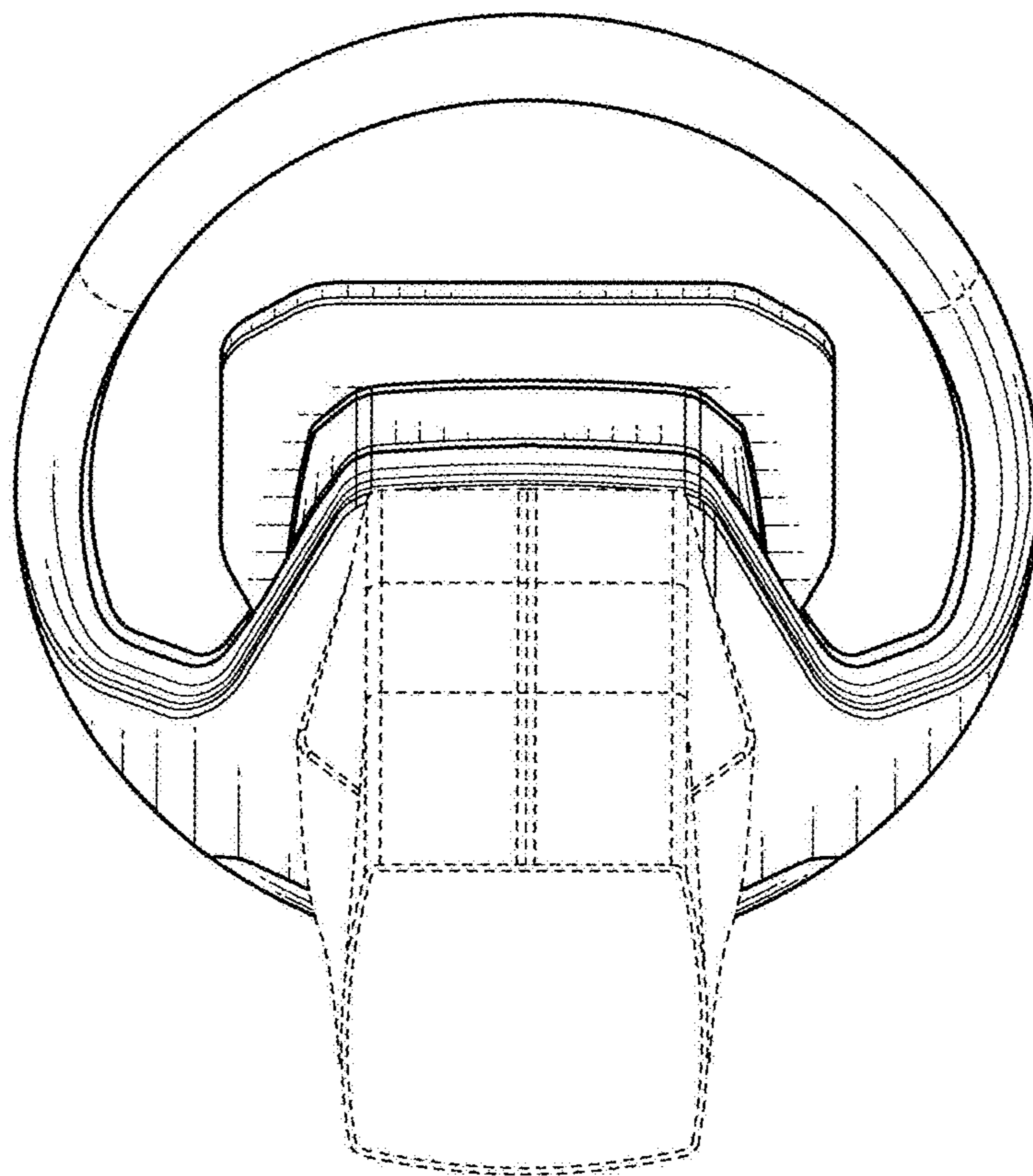


FIG. 3

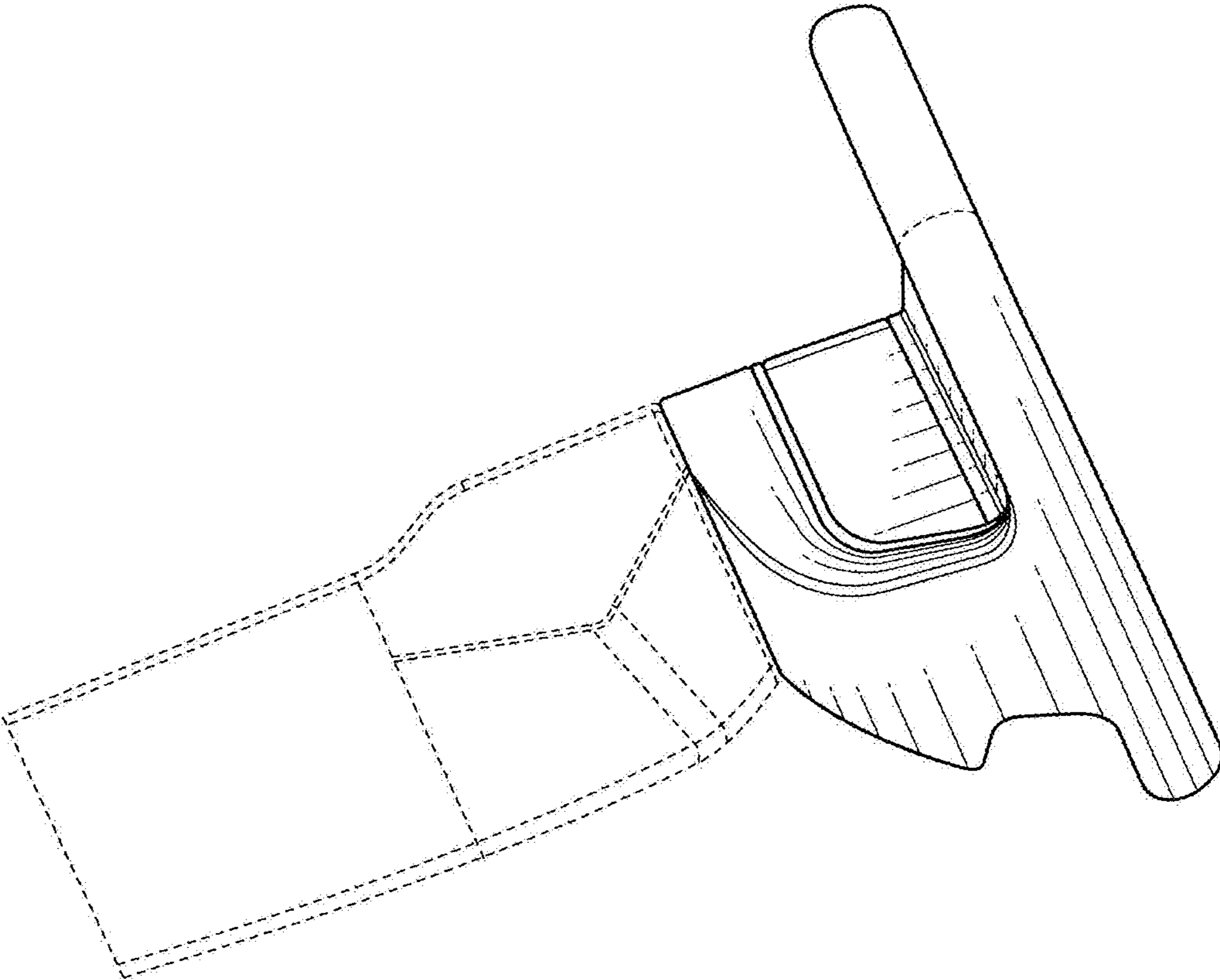


FIG. 4

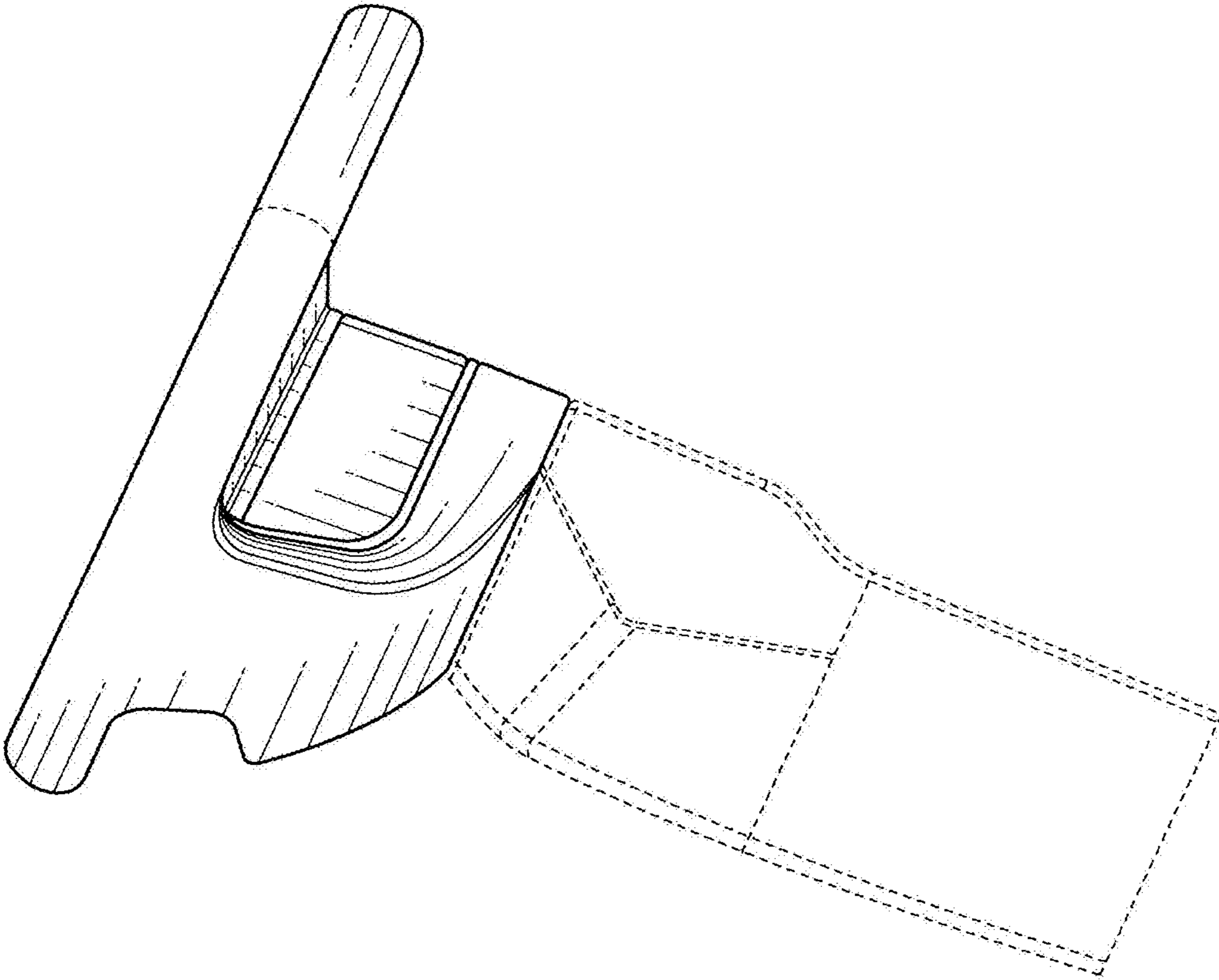


FIG. 5

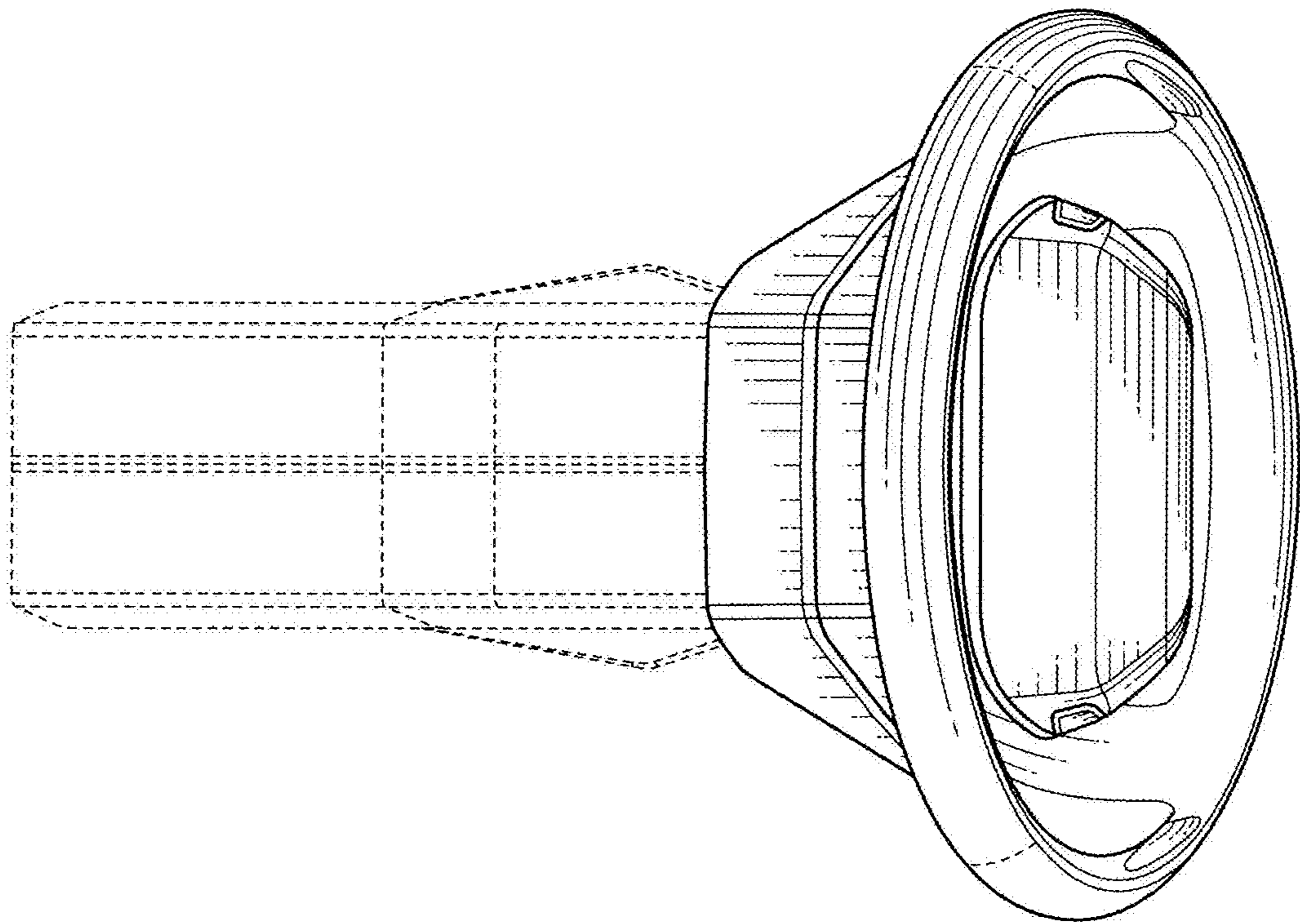


FIG. 6

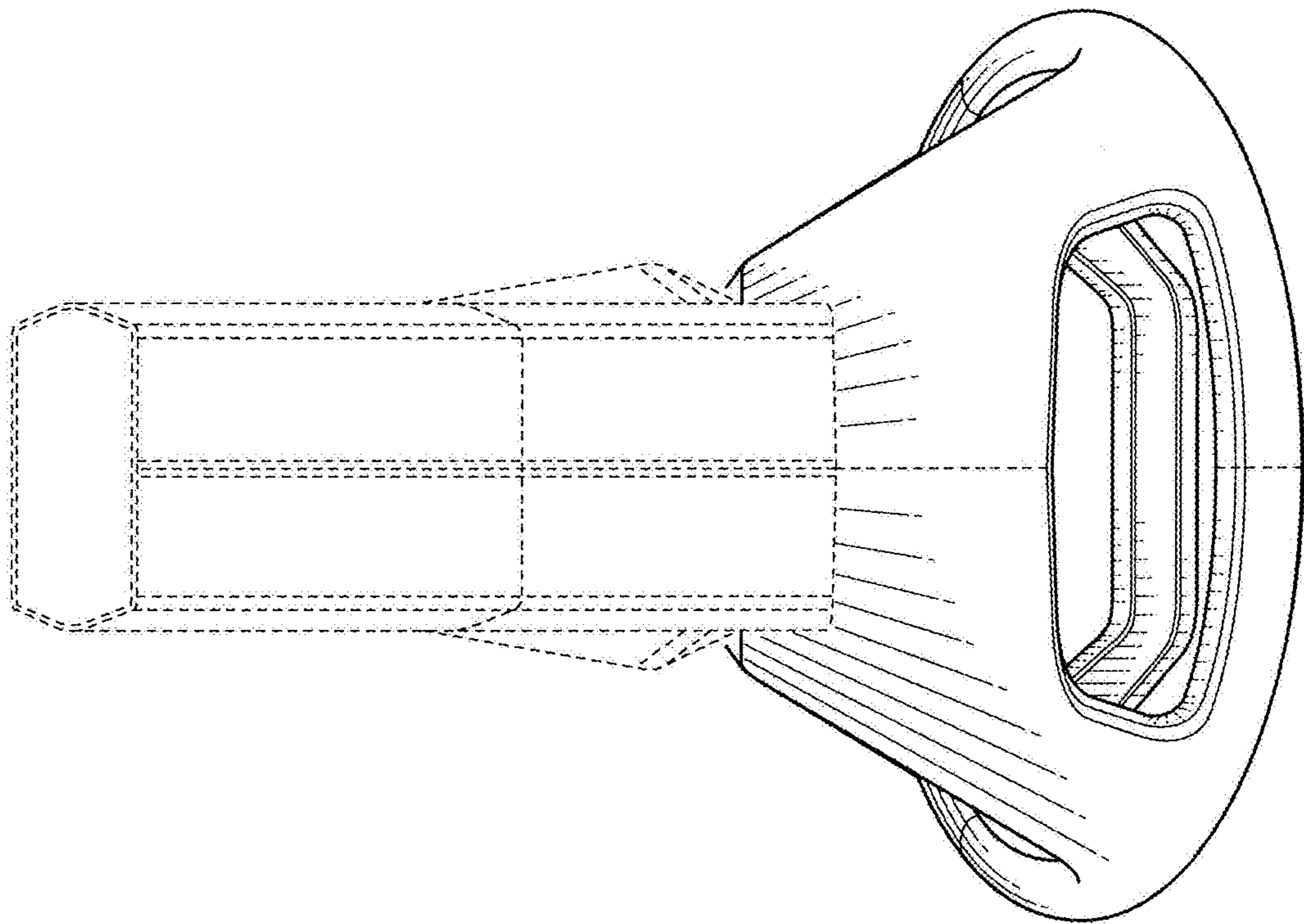


FIG. 7