



US00D899325S

(12) **United States Design Patent** (10) **Patent No.:** **US D899,325 S**  
**Metros et al.** (45) **Date of Patent:** **\*\* Oct. 20, 2020**

(54) **VEHICLE REAR LOWER BUMPER COVER**

(71) Applicant: **Ford Global Technologies, LLC**,  
Dearborn, MI (US)  
(72) Inventors: **Craig Metros**, Bloomfield, MI (US);  
**George Bucher**, Dearborn, MI (US);  
**James Grake**, Beverly Hills, MI (US);  
**Andrew Bazinski**, Amherstburg (CA)

(73) Assignee: **Ford Global Technologies, LLC**,  
Dearborn, MI (US)

(\*\*) Term: **15 Years**

(21) Appl. No.: **29/685,402**

(22) Filed: **Mar. 28, 2019**

(51) **LOC (12) Cl.** ..... **12-16**

(52) **U.S. Cl.**  
USPC ..... **D12/169**

(58) **Field of Classification Search**  
USPC ..... D12/169, 196, 86, 90-92, 163, 190, 98,  
D12/164; 293/102, 113, 115, 117, 120,  
293/193.11; 296/180.1, 180.2; 180/68.1,  
180/68.6

CPC ..... B60R 19/52; B60K 11/08; B62D 25/08;  
B62B 9/16

See application file for complete search history.

(56) **References Cited**

**U.S. PATENT DOCUMENTS**

|              |         |           |         |
|--------------|---------|-----------|---------|
| D644,578 S   | 9/2011  | Messale   |         |
| D663,660 S * | 7/2012  | Platto    | D12/169 |
| D678,146 S * | 3/2013  | Behmer    | D12/169 |
| D712,805 S * | 9/2014  | Murkett   | D12/169 |
| D743,853 S * | 11/2015 | Blanski   | D12/169 |
| D776,021 S * | 1/2017  | Kapitonov | D12/169 |

|              |         |          |         |
|--------------|---------|----------|---------|
| D793,294 S * | 8/2017  | Lee      | D12/169 |
| D793,300 S * | 8/2017  | Krieg    | D12/169 |
| D797,616 S * | 9/2017  | Lee      | D12/169 |
| D813,741 S * | 3/2018  | Perkins  | D12/169 |
| D813,742 S * | 3/2018  | McMahan  | D12/169 |
| D813,743 S * | 3/2018  | Lee      | D12/169 |
| D813,756 S * | 3/2018  | Loeb     | D12/169 |
| D816,563 S * | 5/2018  | McMahan  | D12/169 |
| D819,524 S * | 6/2018  | Behmer   | D12/169 |
| D822,554 S * | 7/2018  | Platto   | D12/169 |
| D822,555 S * | 7/2018  | Platto   | D12/169 |
| D822,556 S * | 7/2018  | Platto   | D12/169 |
| D824,301 S * | 7/2018  | Lim      | D12/169 |
| D825,413 S * | 8/2018  | Luk      | D12/169 |
| D825,415 S * | 8/2018  | De Bono  | D12/169 |
| D826,802 S * | 8/2018  | Platto   | D12/169 |
| D832,157 S * | 10/2018 | Svensson | D12/169 |
| D838,636 S * | 1/2019  | Behmer   | D12/169 |
| D870,002 S * | 12/2019 | Bucher   | D12/169 |
| D870,003 S * | 12/2019 | Bucher   | D12/169 |

\* cited by examiner

*Primary Examiner* — Melody N Brown

(74) *Attorney, Agent, or Firm* — Vichit Chea

(57) **CLAIM**

The ornamental design for a vehicle rear lower bumper cover, as shown and described.

**DESCRIPTION**

FIG. 1 is a front elevational view of a vehicle rear lower bumper cover, showing our new design;  
FIG. 2 is a left side elevational view thereof;  
FIG. 3 is a right side elevational view thereof;  
FIG. 4 is a top plan view thereof;  
FIG. 5 is a bottom plan view thereof;  
FIG. 6 is a bottom, front, and left side perspective view thereof; and,  
FIG. 7 is a top, front, and left side perspective view thereof.

**1 Claim, 7 Drawing Sheets**

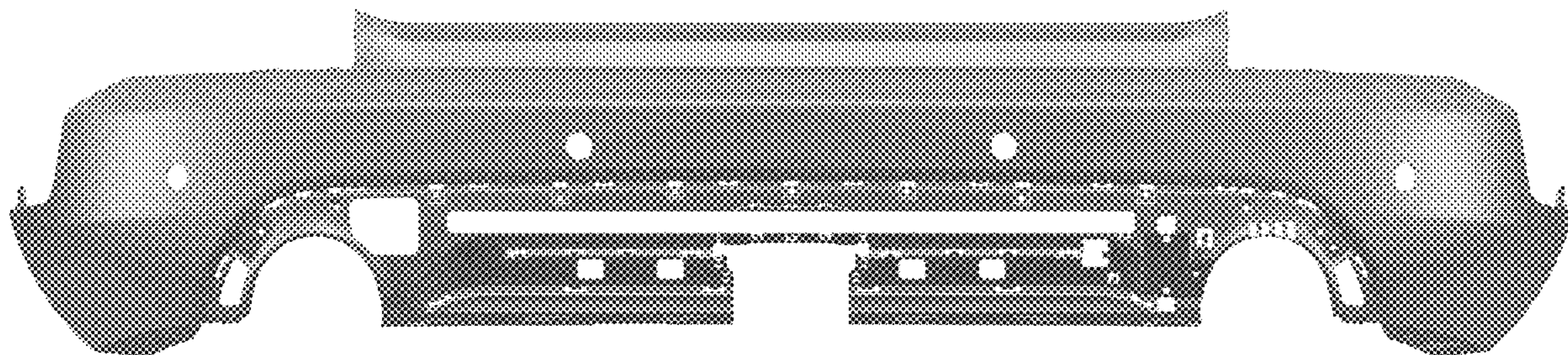




Fig. 1

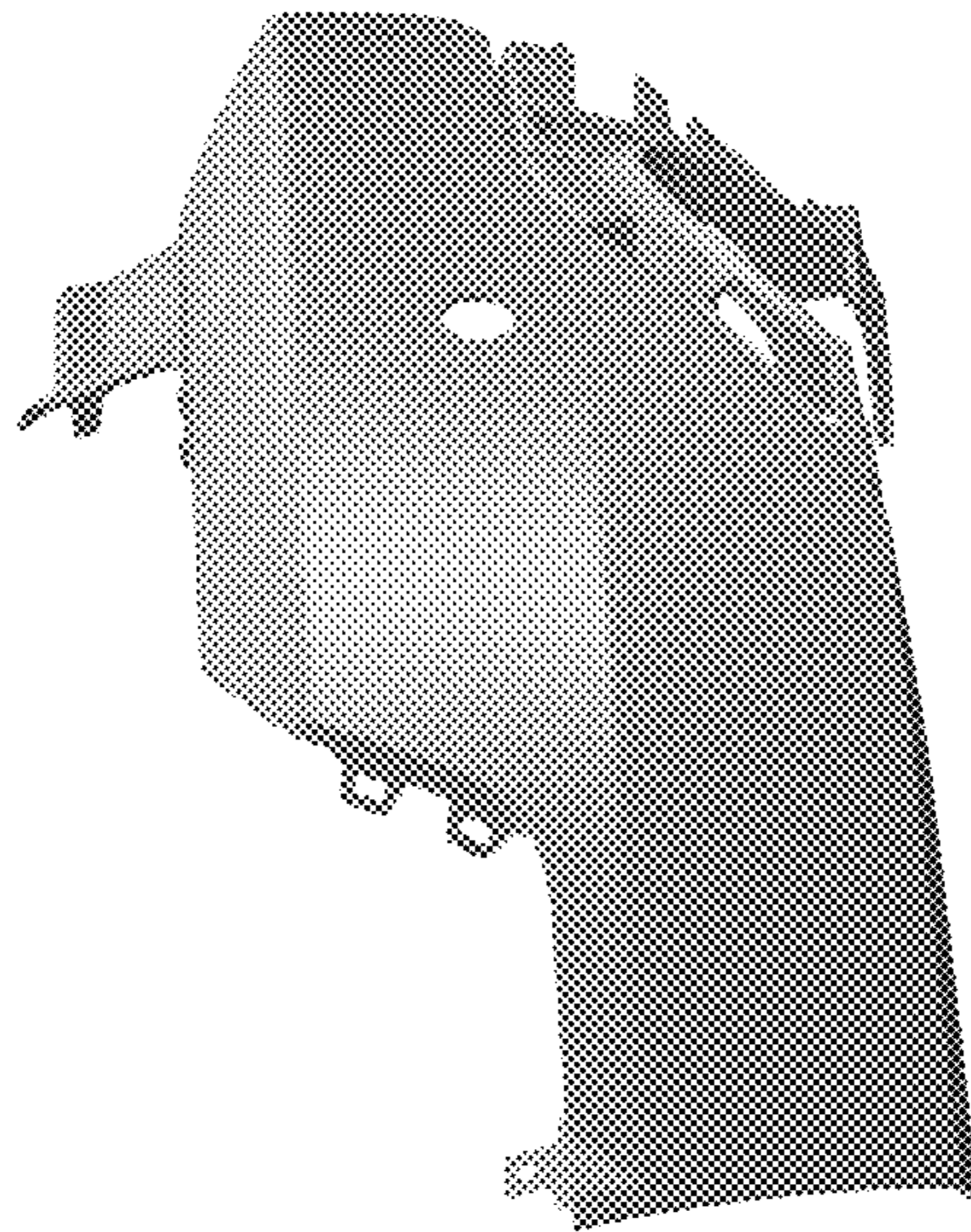


Fig. 2

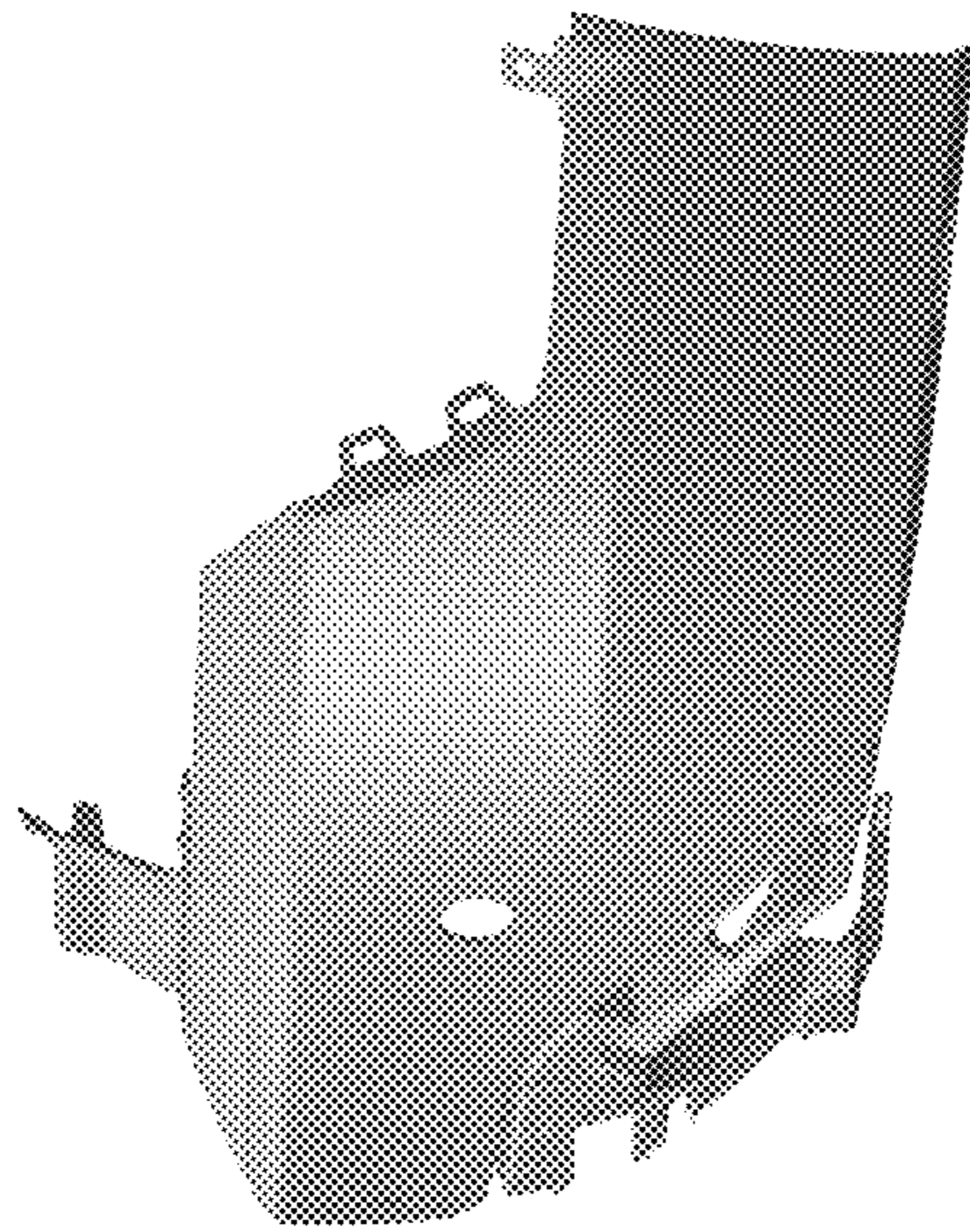


Fig. 3

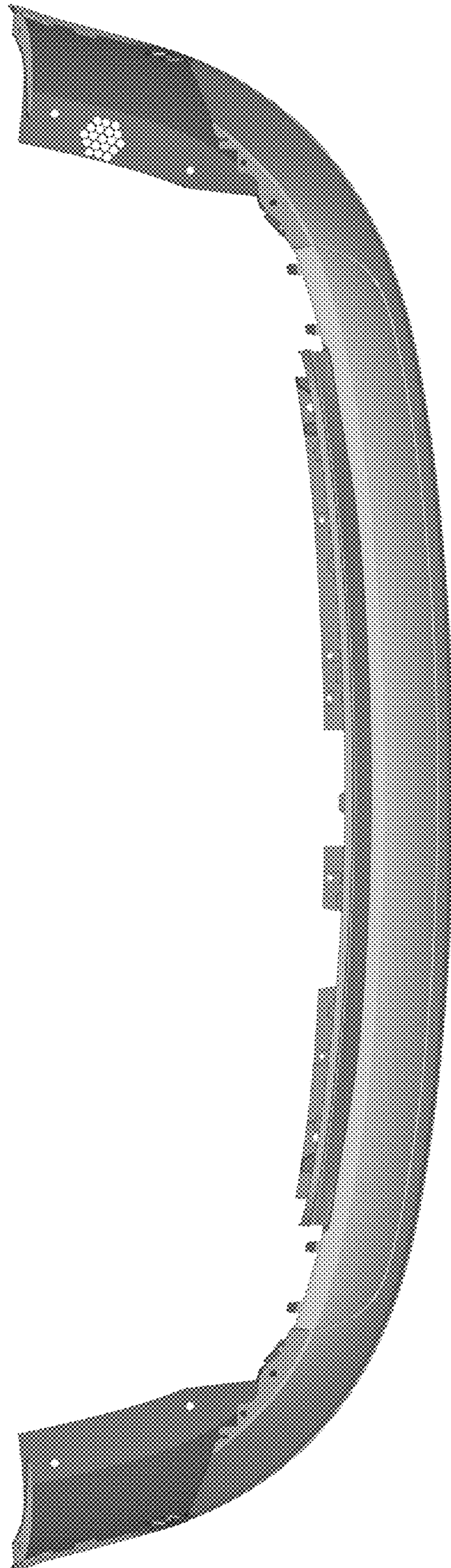


Fig.4

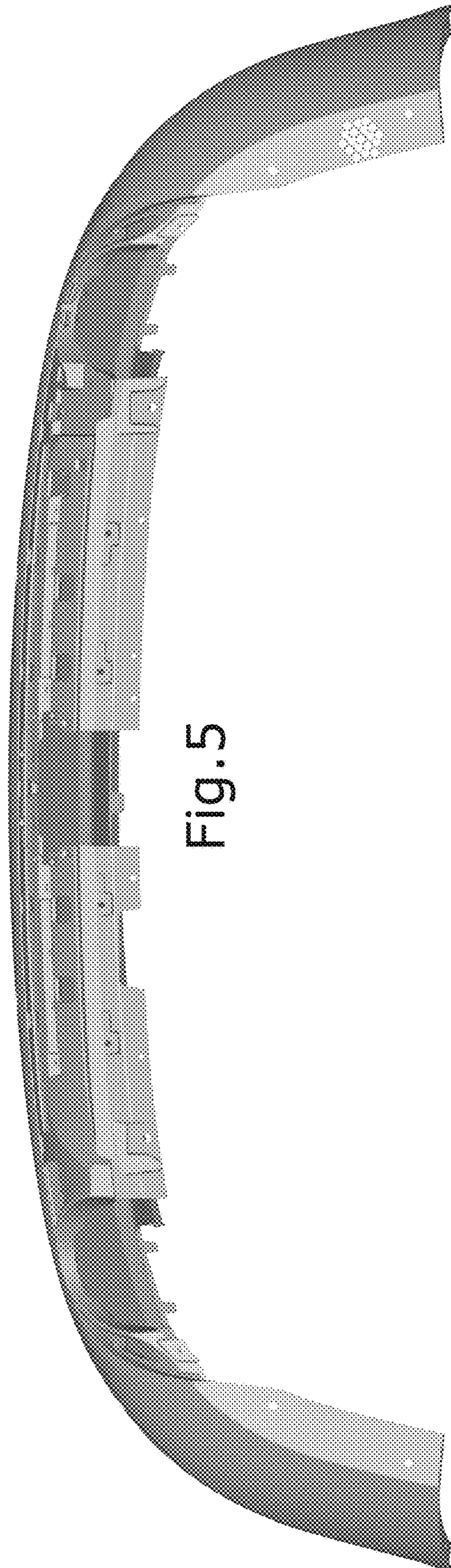


Fig. 5

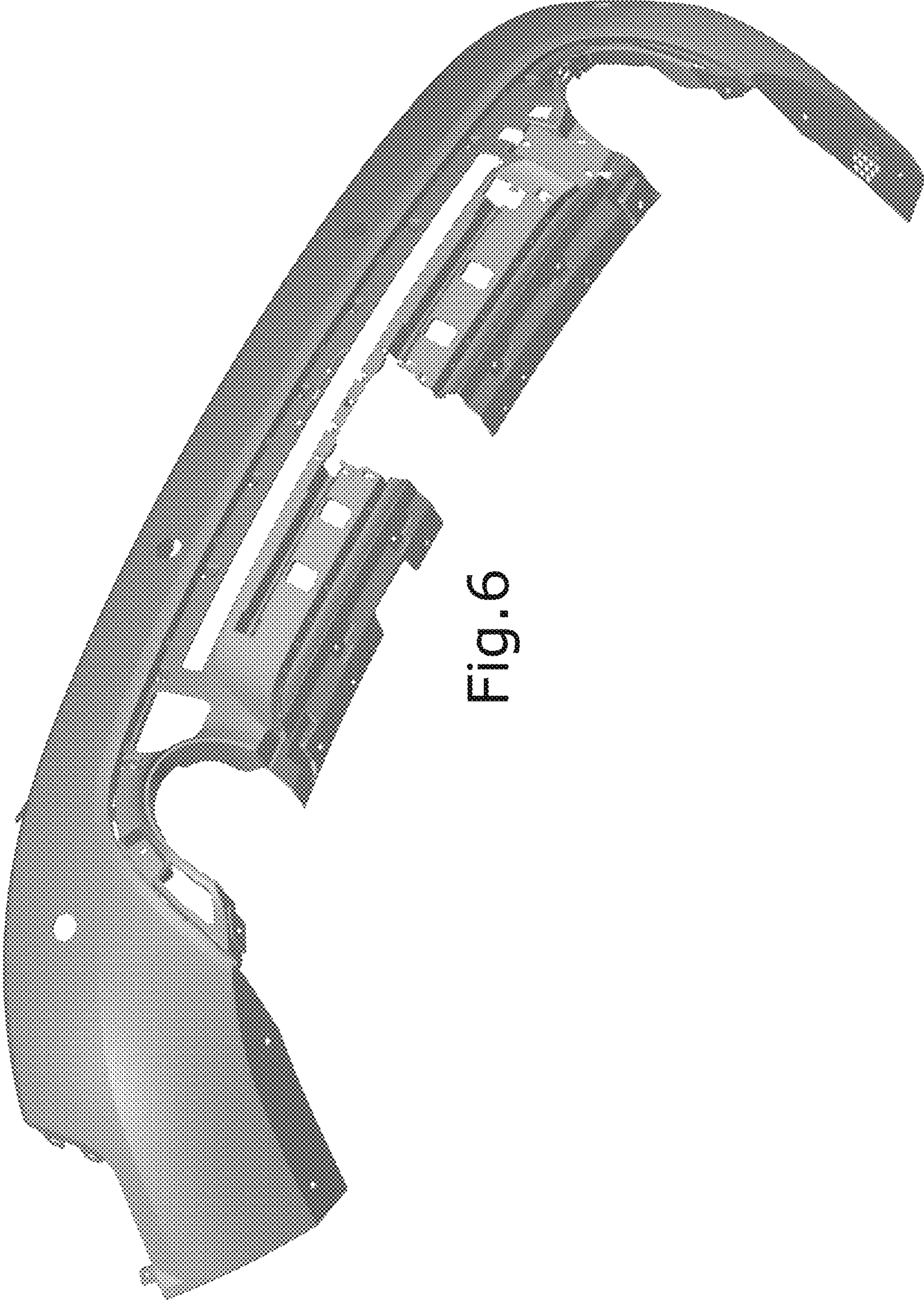


Fig. 6

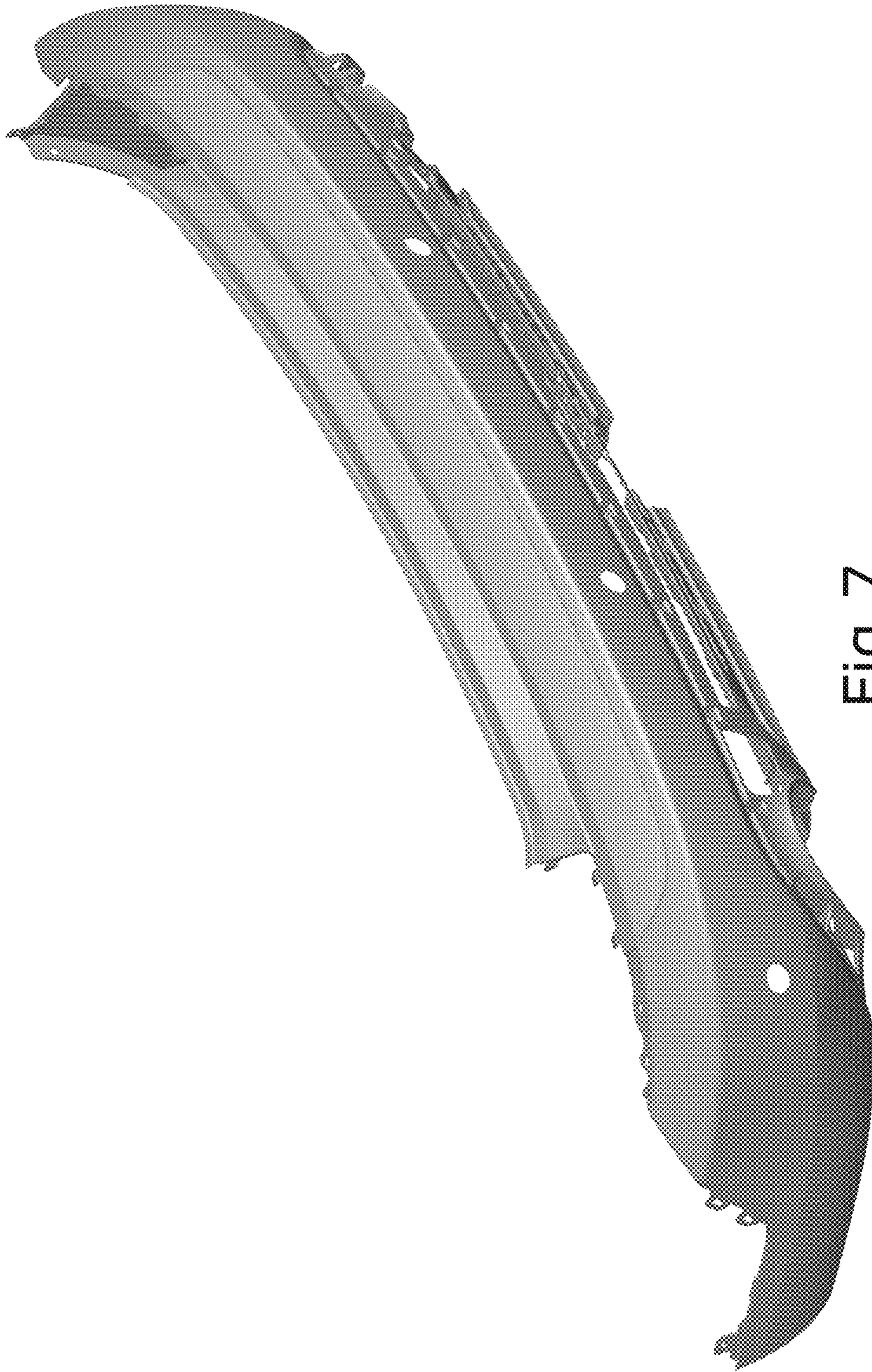


Fig. 7