



US00D899322S

(12) **United States Design Patent** (10) **Patent No.:** **US D899,322 S**  
**Carlini** (45) **Date of Patent:** **\*\* Oct. 20, 2020**

(54) **SHAFT**

- (71) Applicant: **Aircraft Gear Corporation**, Loves Park, IL (US)
- (72) Inventor: **Sean M. Carlini**, Rockford, IL (US)
- (73) Assignee: **Aircraft Gear Corporation**, Loves Park, IL (US)
- (\*\*) Term: **15 Years**
- (21) Appl. No.: **29/691,677**
- (22) Filed: **May 17, 2019**

**Related U.S. Application Data**

- (62) Division of application No. 29/594,490, filed on Feb. 18, 2017, now Pat. No. Des. 852,684.
- (51) **LOC (12) Cl.** ..... **12-16**
- (52) **U.S. Cl.**  
USPC ..... **D12/159**
- (58) **Field of Classification Search**  
USPC ..... D12/159-162, 223  
CPC ... F16C 11/06; F16C 11/0619; F16C 11/0642;  
F16C 11/0695; B62D 7/14; B62D 7/142;  
B62D 7/16; B62D 7/20; B62D 49/0621  
See application file for complete search history.

(56) **References Cited**

**U.S. PATENT DOCUMENTS**

- 2,525,695 A \* 10/1950 Lombard ..... F16D 3/185  
464/158
- D242,442 S \* 11/1976 Garrison ..... D12/114
- D250,465 S 12/1978 Morrison
- D294,219 S 2/1988 Hamatani
- 4,817,752 A 4/1989 Lobo et al.

(Continued)

**OTHER PUBLICATIONS**

RCV Ultimate CV Prop Shaft for Polaris XP Turbo, posted at RCV, posting date Jan. 13, 2017. [site visited Jul. 3, 2018] [Available from internet] U RL: <https://www.rcvperformance.com/rcv-ultimate-cv-prop-shaft-for-polaris-xpturbo-2-seat.html> (Year: 2017) 2017.

(Continued)

*Primary Examiner* — Kevin K Rudzinski

*Assistant Examiner* — Kathleen L Jones

(74) *Attorney, Agent, or Firm* — John V. Daniluck;  
Dentons Bingham Greenebaum LLP

(57) **CLAIM**

The ornamental design for a shaft, as shown and described.

**DESCRIPTION**

FIG. 1 is a top, right, frontal perspective view of a shaft showing my new design with portions being shown in cross-hatch to represent orange colored surfaces;

FIG. 2 shows portions of the shaft of FIG. 1 enlarged with center section excluded for clarity of illustration where portions thereof are shown in cross-hatch to represent orange colored surfaces;

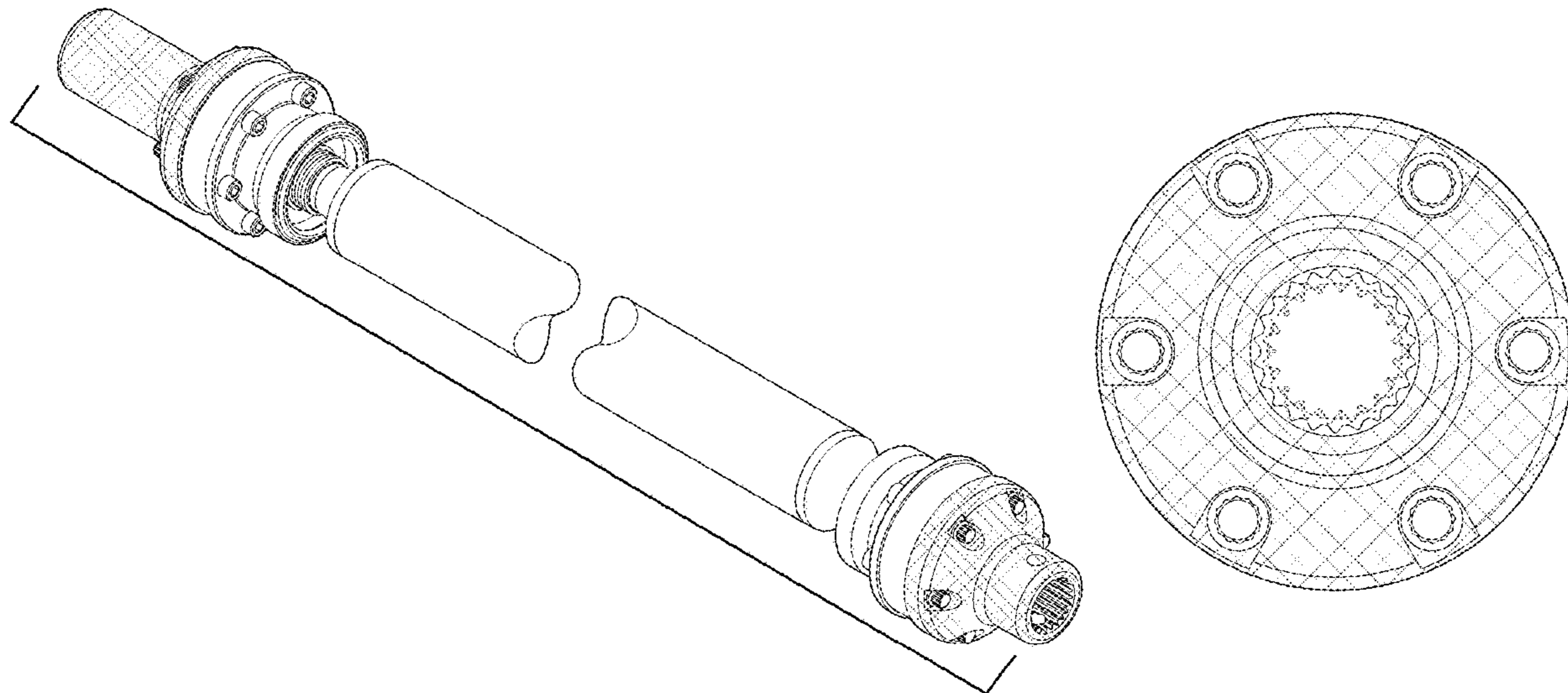
FIG. 3 is a top view of the shaft of FIG. 2 shown enlarged with center section excluded for clarity of illustration where portions thereof are shown in cross-hatch to represent orange colored surfaces the bottom view being identical;

FIG. 4 is a frontal view of the shaft of FIG. 2 shown enlarged with center section excluded for clarity of illustration where portions thereof are shown in cross-hatch to represent orange colored surfaces, the rear view being identical; and,

FIG. 5 is a right end view of the shaft of FIG. 2, the left end being identical, where portions thereof are shown in cross-hatch to represent orange colored surfaces.

The broken lines showing portions of the shaft are included for the purpose of illustrating portions of the article and form no part of the claimed design.

**1 Claim, 5 Drawing Sheets**



(56)

References Cited

U.S. PATENT DOCUMENTS

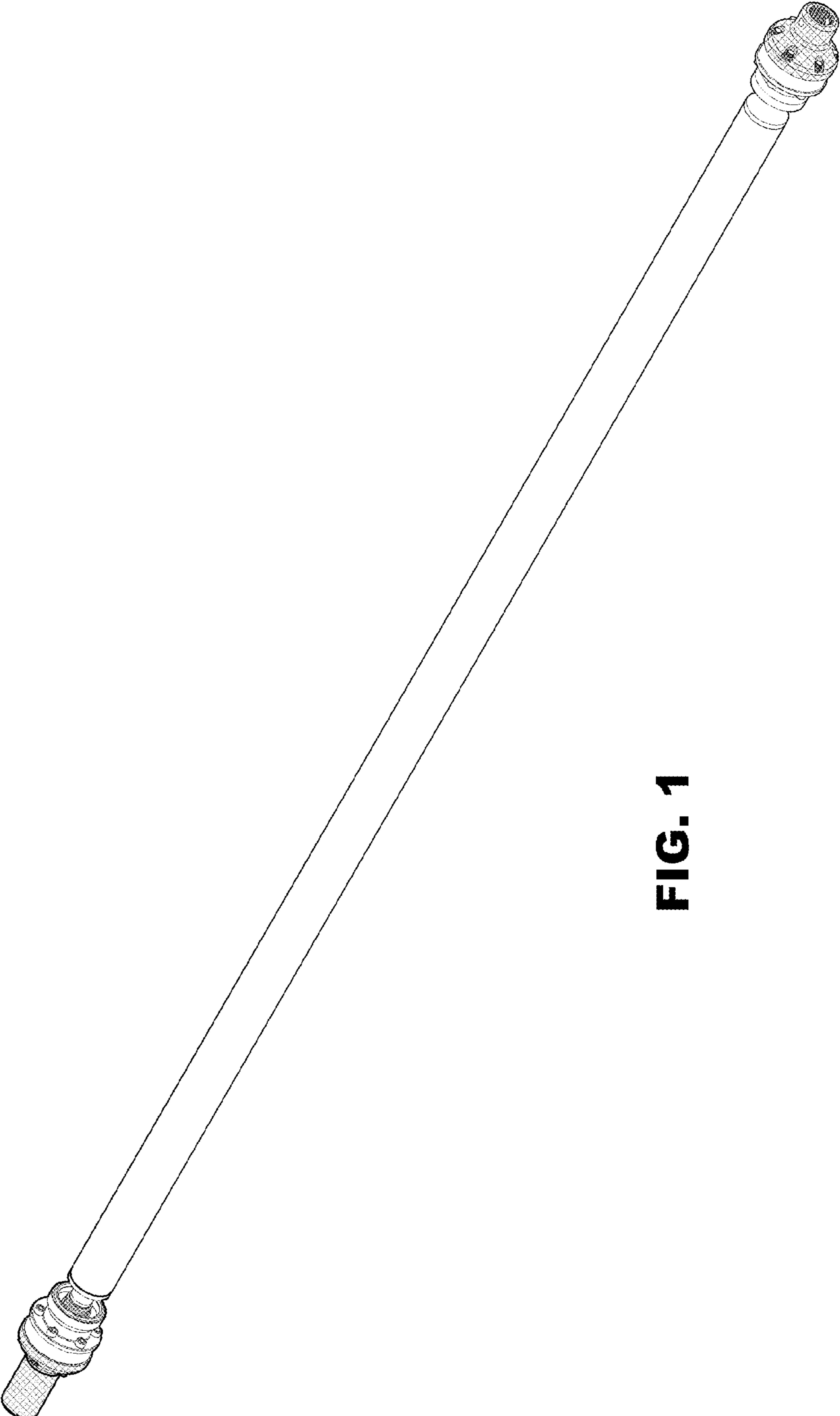
4,856,633 A 8/1989 Specht  
 5,105,517 A 4/1992 Barnow  
 D358,119 S 5/1995 Winter  
 5,429,204 A 7/1995 Tuholski  
 D462,256 S 9/2002 Jaynes  
 D569,313 S \* 5/2008 Korner ..... D12/159  
 7,913,782 B1 3/2011 Foss  
 D645,382 S 9/2011 Verbowski  
 D658,097 S \* 4/2012 Choquette ..... D12/162  
 D686,677 S 7/2013 Simonds  
 D719,493 S 12/2014 Mochinaga et al.  
 D772,661 S 11/2016 Norton  
 D809,437 S 2/2018 Sugiyama et al.  
 D814,979 S 4/2018 Cantuern et al.  
 D847,036 S \* 4/2019 Carlini ..... D12/159  
 10,328,788 B2 \* 6/2019 Idelevitch ..... B60L 50/00  
 D852,684 S \* 7/2019 Carlini ..... D12/159  
 D852,685 S \* 7/2019 Steinkamp ..... B60G 7/005  
 D12/160  
 D881,759 S \* 4/2020 Turner ..... D12/114  
 2004/0226368 A1 11/2004 Nieman  
 2006/0157948 A1 7/2006 Genz  
 2009/0166995 A1 7/2009 Sorquist  
 2009/0302672 A1 12/2009 Brooks  
 2010/0130291 A1 \* 5/2010 Ando ..... B60K 17/22  
 464/162

2014/0144023 A1 5/2014 Cerimeli et al.  
 2014/0256454 A1 9/2014 Shimshie  
 2015/0096825 A1 4/2015 Goethe  
 2015/0167744 A1 6/2015 Yoo et al.  
 2015/0174956 A1 6/2015 Malik et al.  
 2015/0367681 A1 12/2015 Pale  
 2016/0059328 A1 3/2016 Jacobson et al.  
 2016/0297278 A1 10/2016 Farjoud  
 2018/0273084 A1 9/2018 Dickson et al.  
 2019/0023072 A1 \* 1/2019 Lubben ..... F16H 48/08  
 2019/0275595 A1 \* 9/2019 Jacobson ..... B23D 17/00  
 2019/0276102 A1 \* 9/2019 Zuleger ..... B60B 35/02  
 2019/0291523 A1 \* 9/2019 Yoshida ..... B60G 3/20  
 2020/0148264 A1 \* 5/2020 Daikoku ..... B60G 3/20

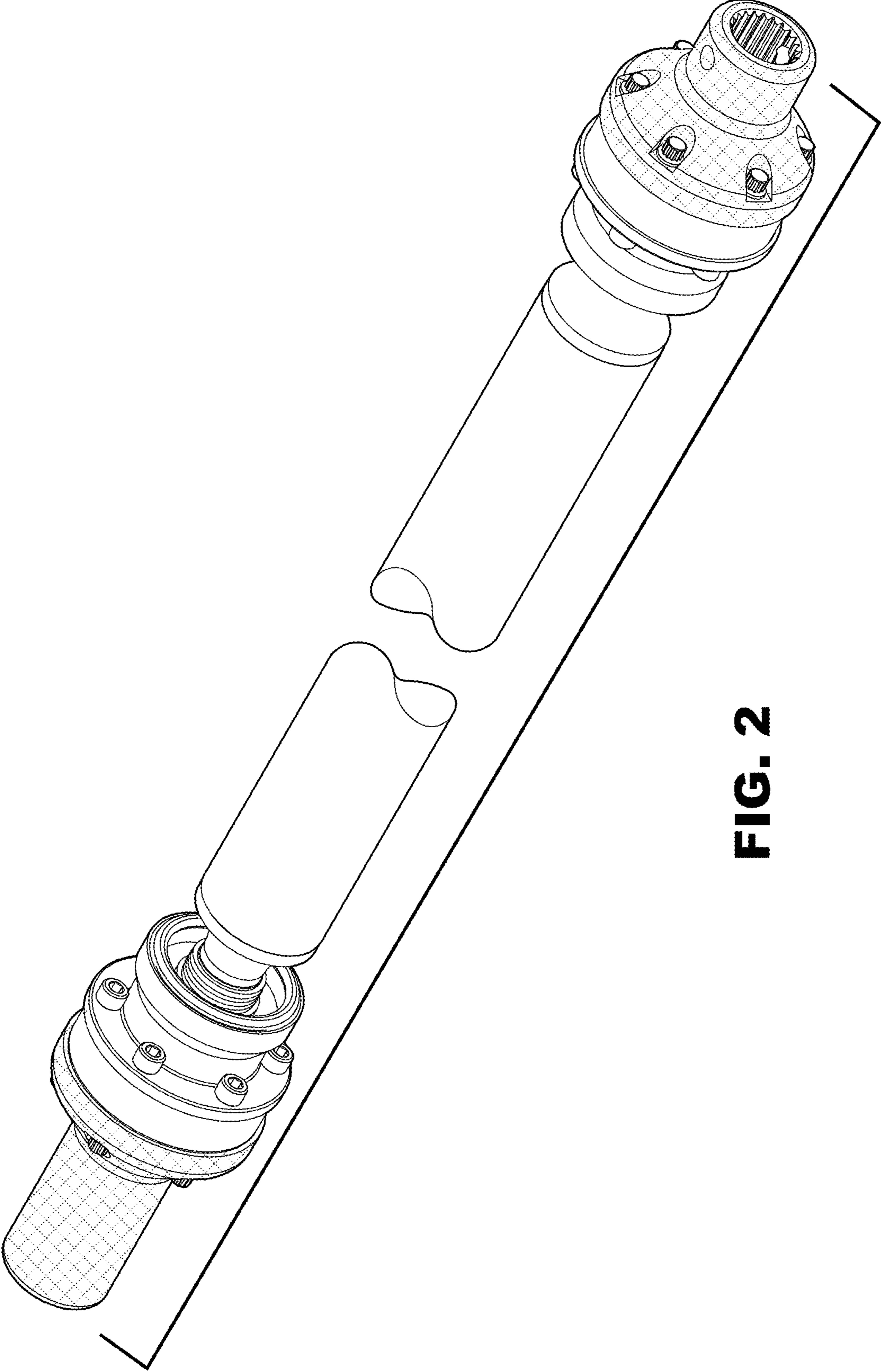
OTHER PUBLICATIONS

Axle Shaft Assembly, posted at Paragon, posting date Oct. 17, 2013. [site visited Jul. 3, 2018] [Available from internet] URL: <<https://www.paragon-products.com/Front-Axle-Shaft-Assembly-Left-Right-p/pp-996.349.038.11.htm>> (Year: 2013) Oct. 17, 2013.  
 1000 H P Extreme Duty Rear Axles, posted at Spohn, posting date Oct. 6, 2009. [site visited Jul. 3, 2018] URL: <<http://www.spohn.net/shop/2004-2006-Pontiac-GTO/Drivetrain/Rear-End-Axles-CV-Joints-Stub/1000-H-P-Extreme-Duty-Rear-Axles-CV-Joints-Stub-Package-2004-2006-Pontiac-GTO.html>> (Year: 2009) Oct. 6, 2009.

\* cited by examiner

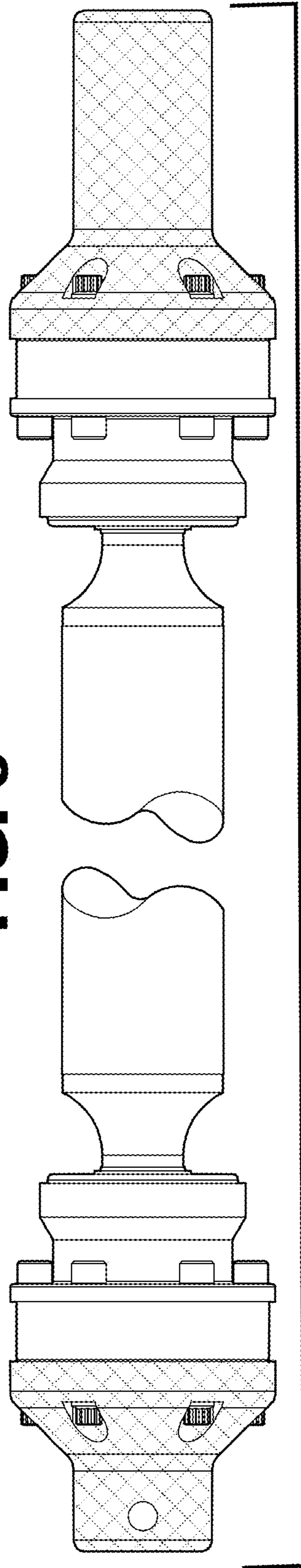


**FIG. 1**

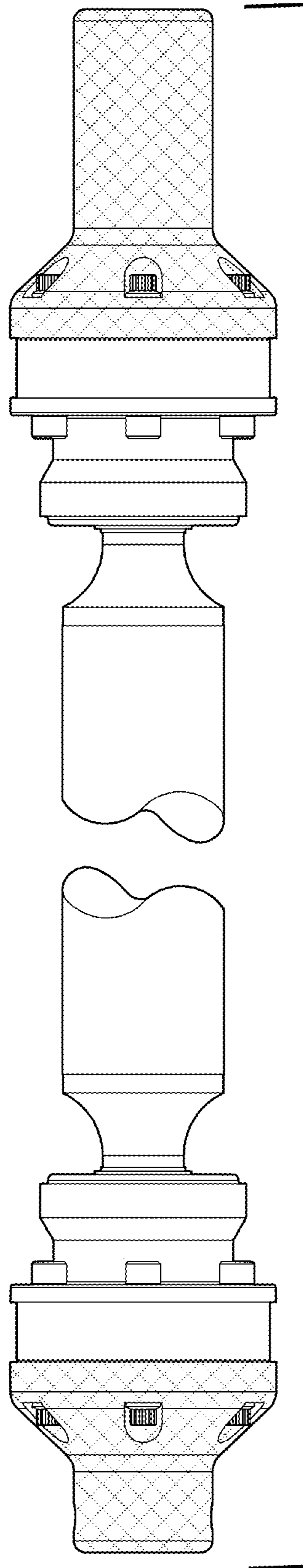


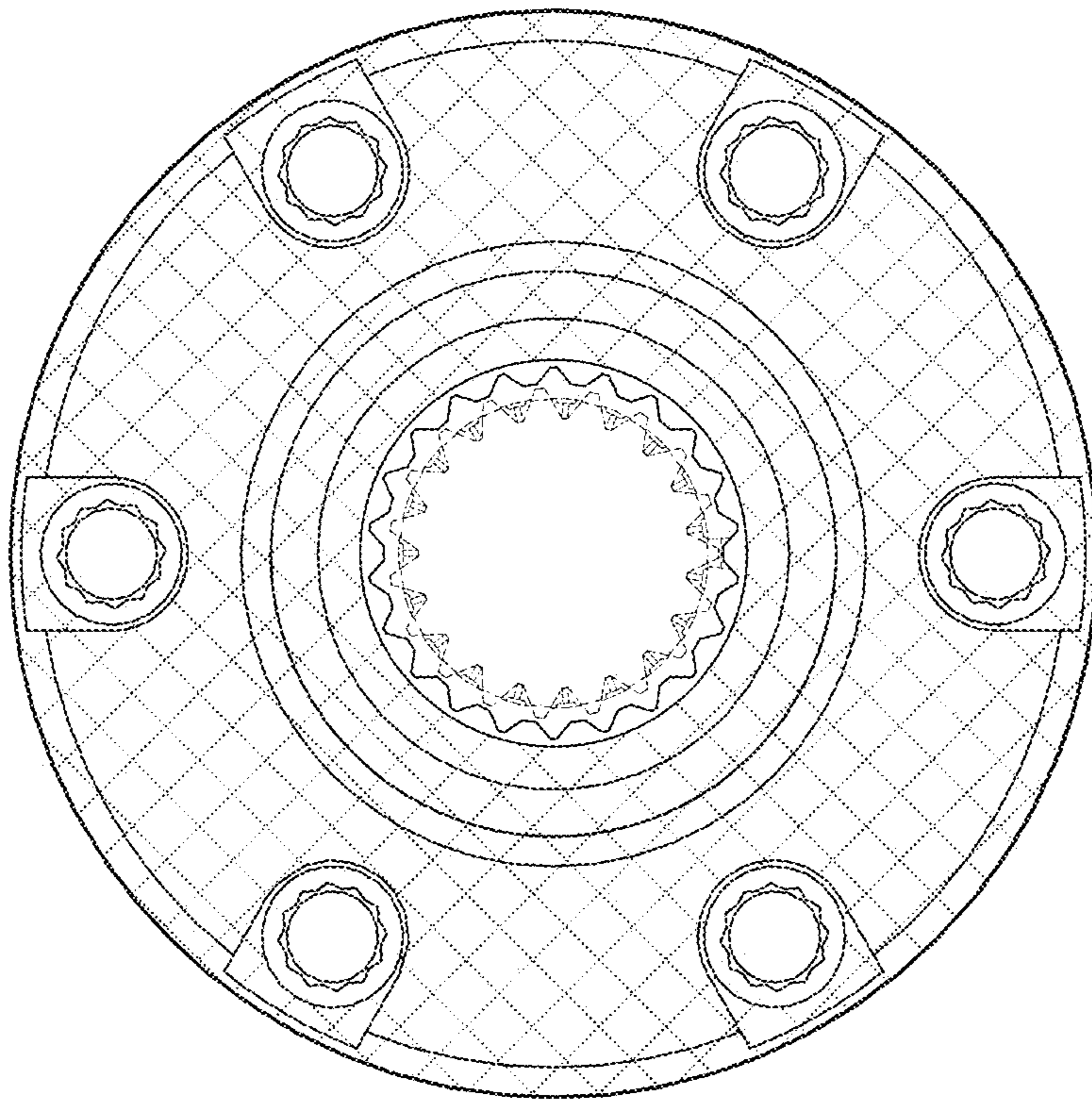
**FIG. 2**

**FIG. 3**



**FIG. 4**





**FIG. 5**