



US00D899319S

(12) **United States Design Patent** (10) **Patent No.:** **US D899,319 S**
Dewitt et al. (45) **Date of Patent:** **** Oct. 20, 2020**

(54) **MOTOR VEHICLE EXTERIOR BODY AND/OR OTHER REPLICA**

(71) Applicant: **Ford Global Technologies, LLC**, Dearborn, MI (US)

(72) Inventors: **David Dewitt**, Docklands (AU); **Todd Willing**, East Melbourne (AU); **Max Wolff**, Birmingham, MI (US); **Pedro Guarinon**, Melbourne (AU); **Mark Wright**, Nunawading (AU)

(73) Assignee: **Ford Global Technologies, LLC**, Dearborn, MI (US)

(**) Term: **15 Years**

(21) Appl. No.: **29/717,471**

(22) Filed: **Dec. 17, 2019**

Related U.S. Application Data

(62) Division of application No. 29/634,999, filed on Jan. 26, 2018, now Pat. No. Des. 869,992.

(51) **LOC (12) Cl.** **12-08**

(52) **U.S. Cl.**
USPC **D12/98**

(58) **Field of Classification Search**
USPC D12/86, 90-92, 164, 98; D21/424, 433, D21/434, 533; 296/181.1, 181.5, 181.3, 296/183.1, 37.6
CPC B60R 9/06; B62D 35/00
See application file for complete search history.

(56) **References Cited**

U.S. PATENT DOCUMENTS

D703,586 S * 4/2014 Platto D12/98
D718,190 S * 11/2014 Platto D12/98

D755,679 S * 5/2016 Sato D12/98
D759,545 S * 6/2016 Sato D12/98
D760,121 S * 6/2016 Sato D12/98
D763,738 S * 8/2016 Dewitt D12/98
D764,980 S * 8/2016 Platto D12/98
D775,551 S * 1/2017 Platto D12/98
D809,428 S * 2/2018 Platto D12/98
D809,429 S * 2/2018 Platto D12/98
D811,274 S * 2/2018 Platto D12/98
D869,991 S * 12/2019 Dewitt D12/98
D869,992 S * 12/2019 Dewitt D12/98

* cited by examiner

Primary Examiner — Melody N Brown

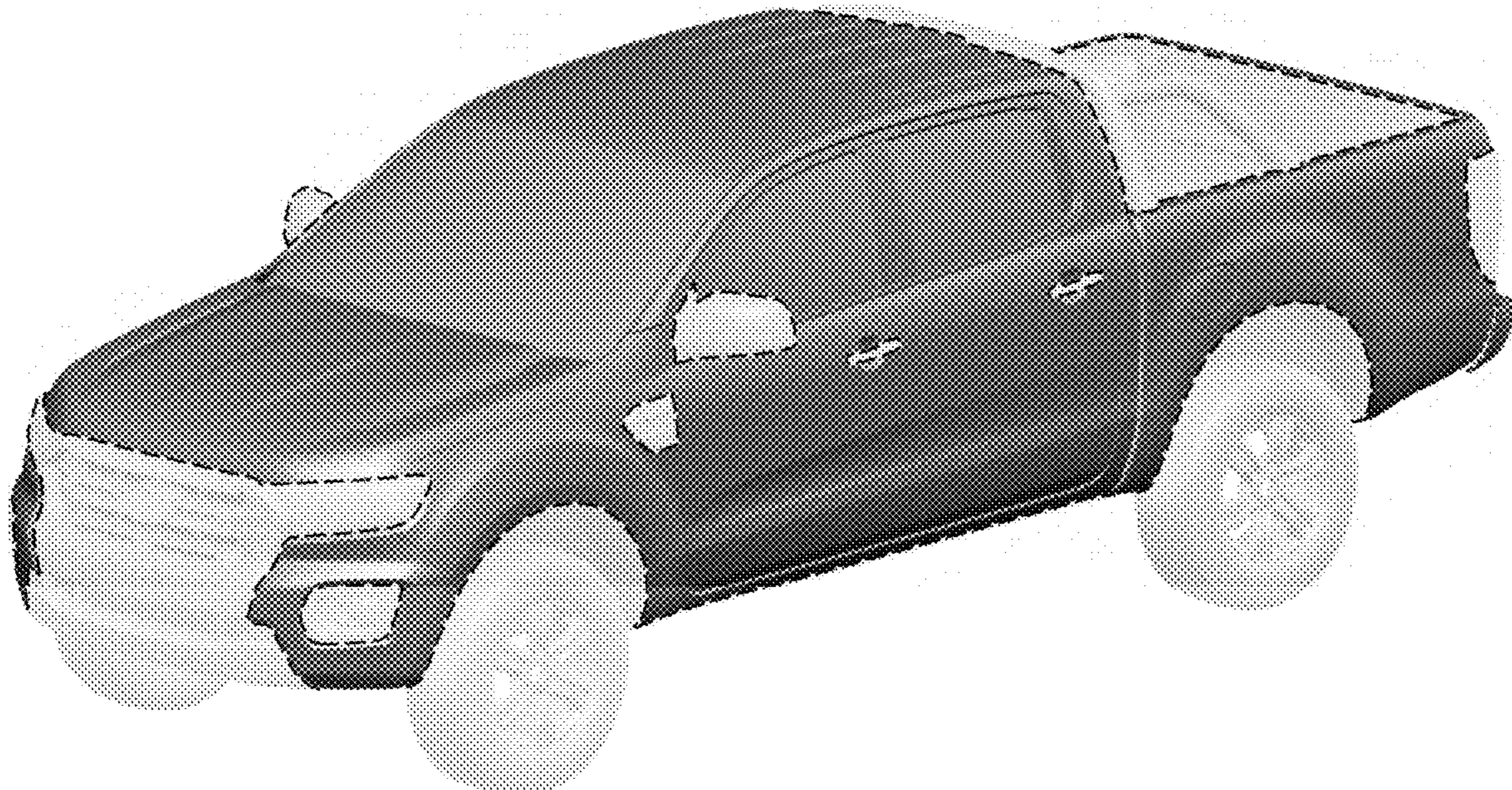
(57) **CLAIM**

The ornamental design for a motor vehicle exterior body and/or other replica, as shown and described.

DESCRIPTION

FIG. 1 is a front elevational view of a motor vehicle exterior body and/or other replica showing our new design; FIG. 2 is a rear elevational view thereof; FIG. 3 is a left side elevational view thereof; FIG. 4 is a right side elevational view thereof; FIG. 5 is a top plan view thereof; FIG. 6 is a top, front, and left side perspective view thereof; and, FIG. 7 is a top, rear, and left side perspective view thereof. The portions of the vehicle shown throughout the drawing views and deemphasized in half-tone portions outside the broken lines and the broken lines representing the boundary and configuration of what is claimed as the design are for environmental and illustrative purposes that form no part of the claimed design.

1 Claim, 7 Drawing Sheets



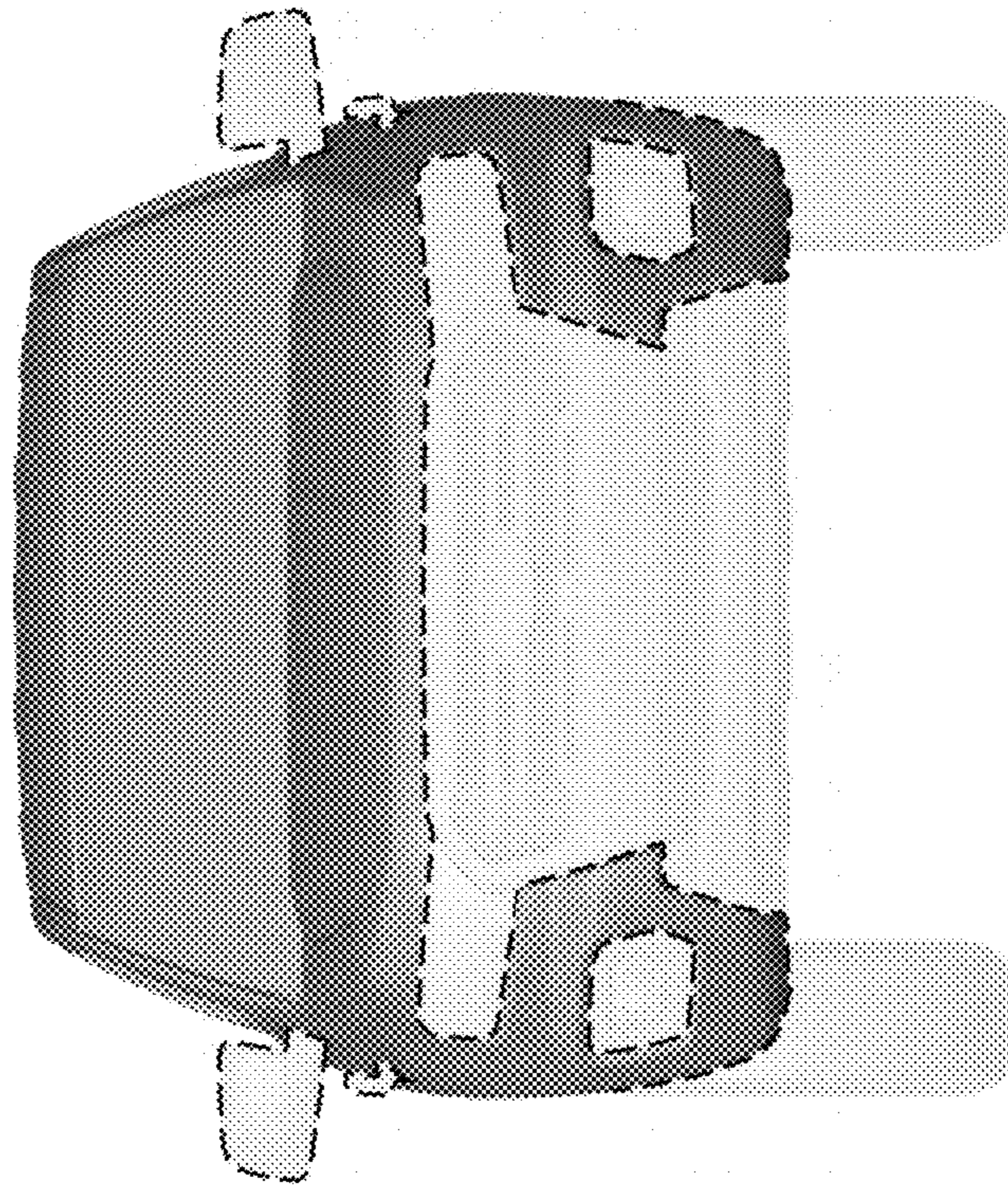


Fig. 1

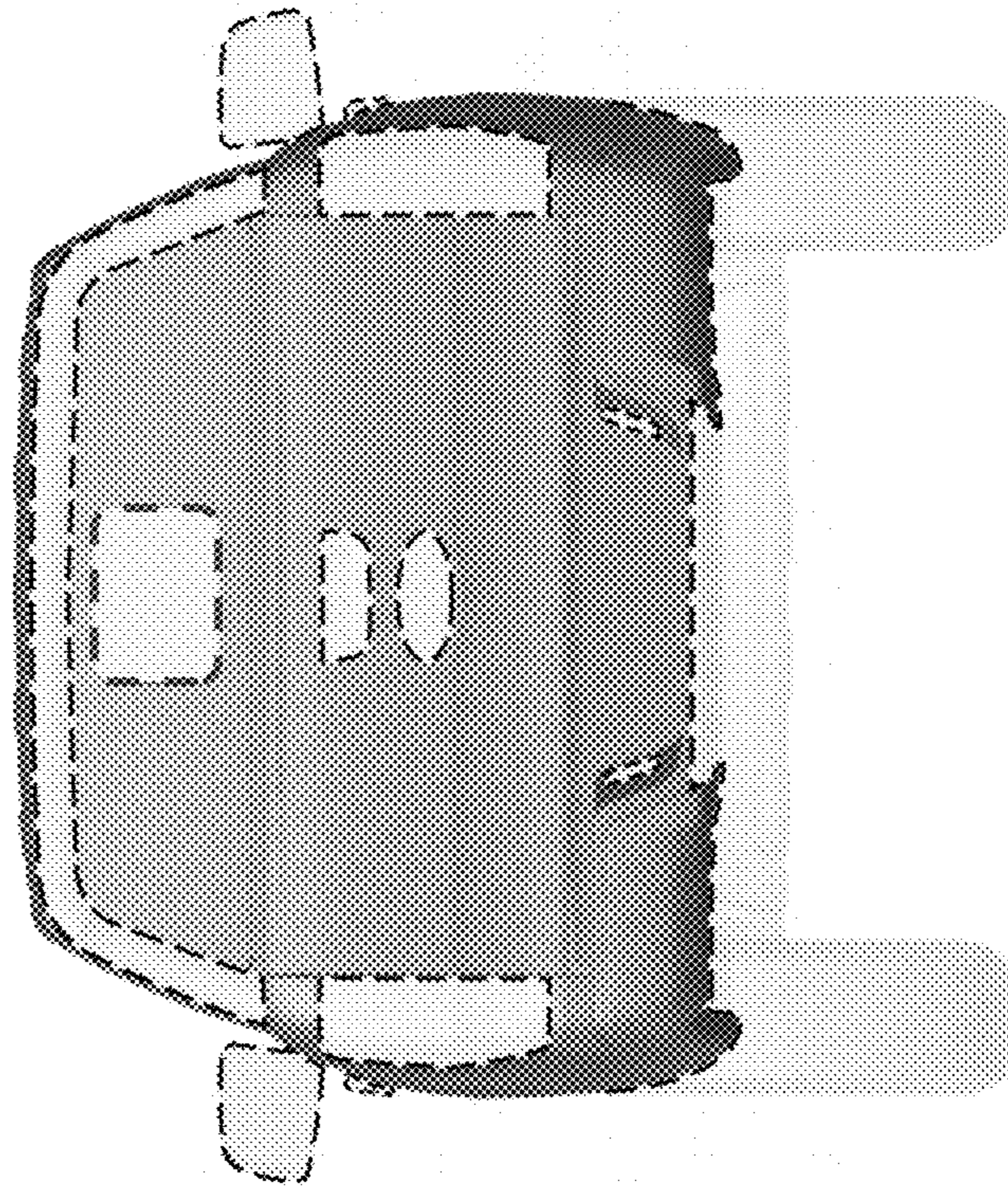


Fig. 2

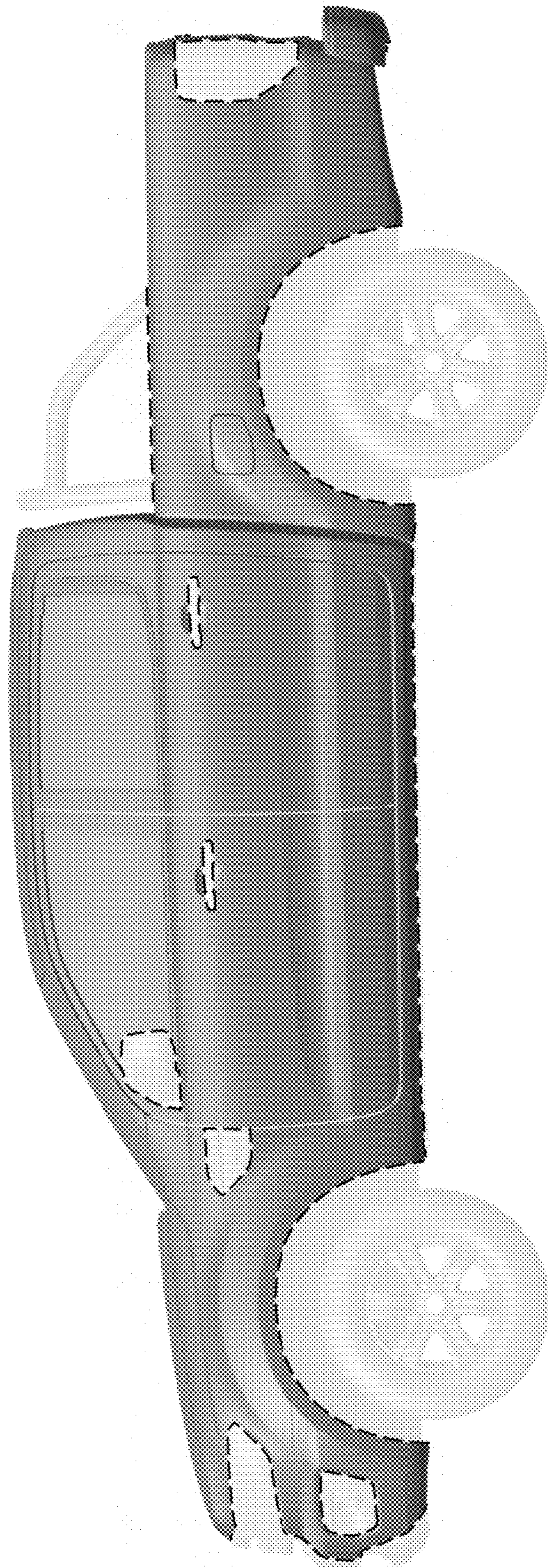


Fig. 3



Fig. 4

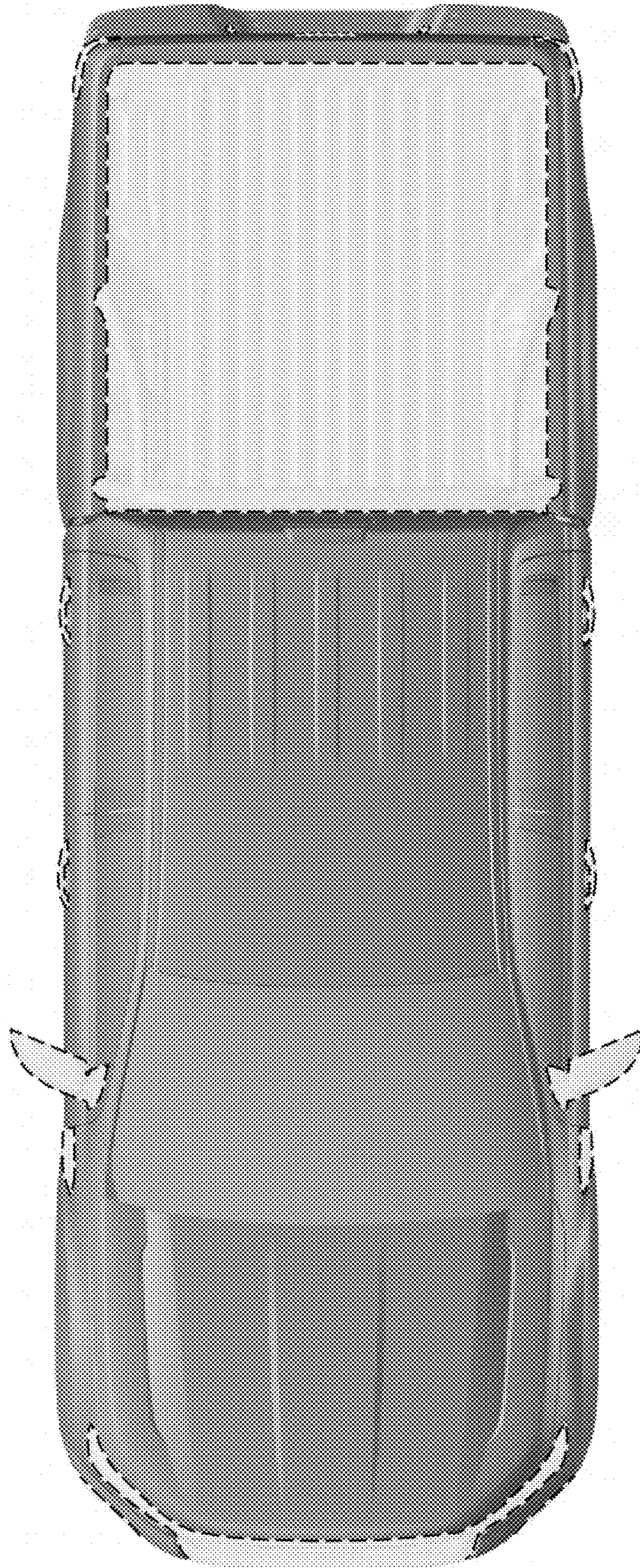


Fig. 5

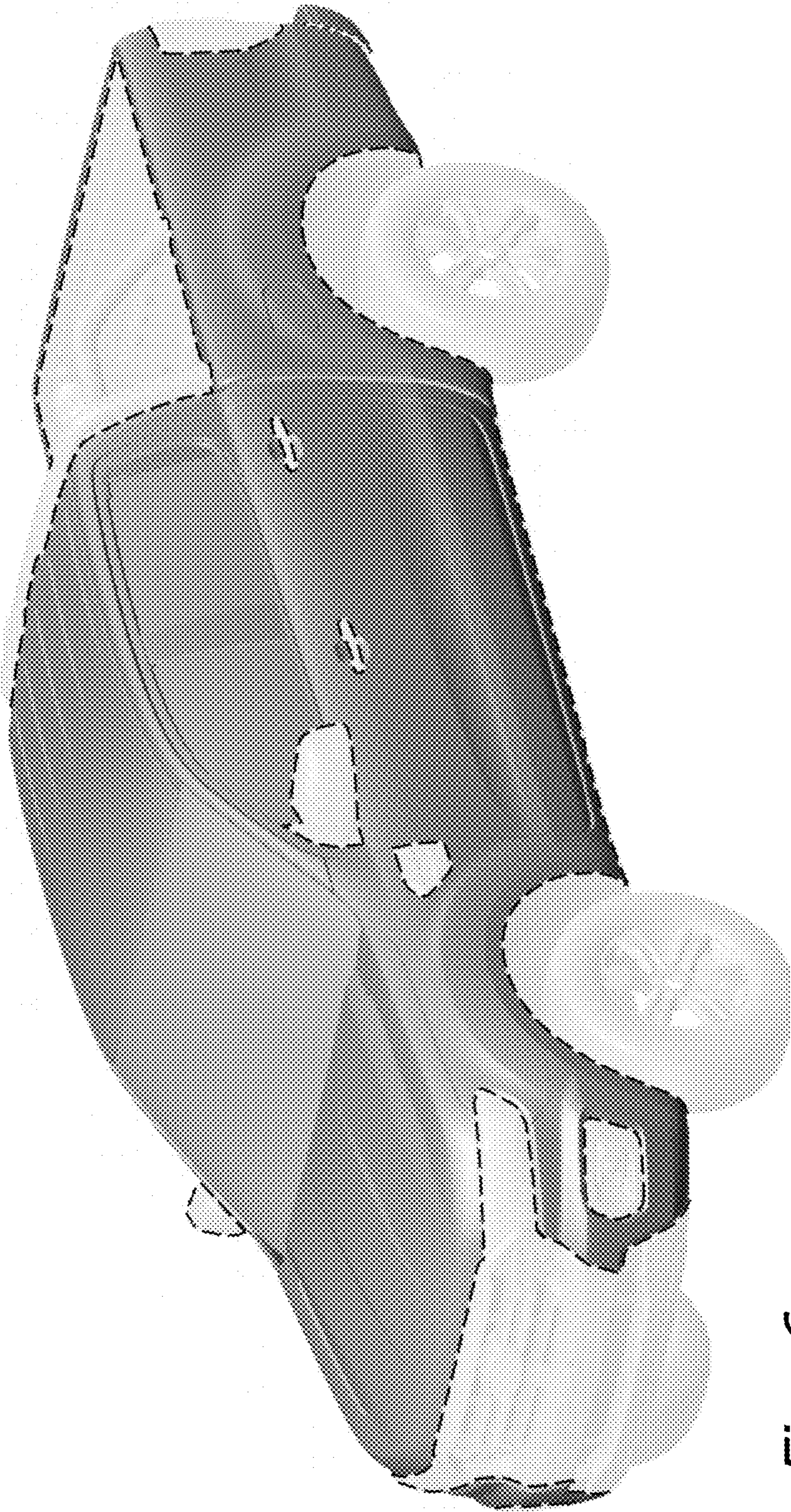


Fig. 6

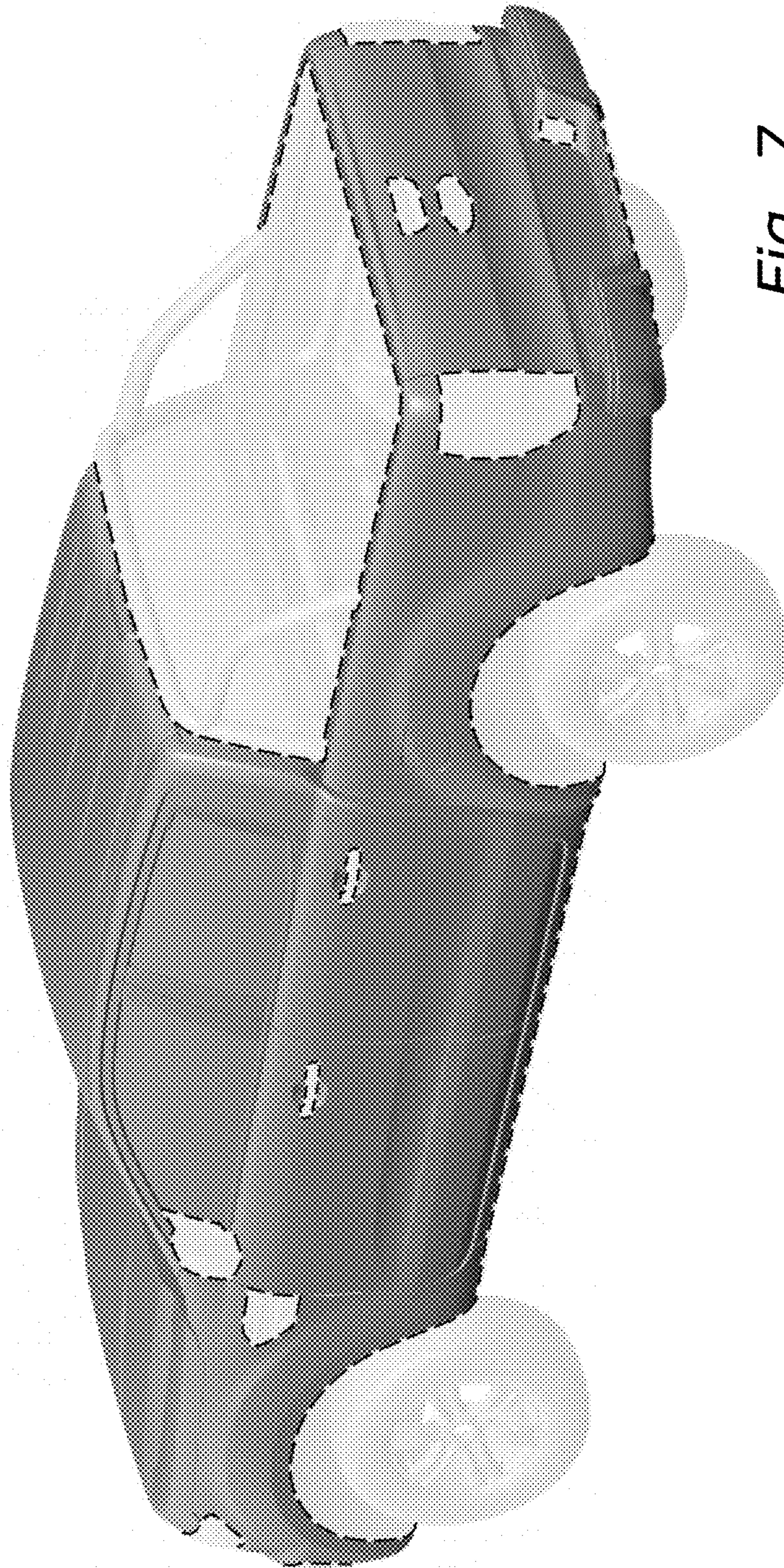


Fig. 7