



US00D899315S

(12) **United States Design Patent** (10) **Patent No.:** **US D899,315 S**
Dewitt et al. (45) **Date of Patent:** **** Oct. 20, 2020**

(54) **MOTOR VEHICLE EXTERIOR AND/OR OTHER REPLICA**

(56) **References Cited**

U.S. PATENT DOCUMENTS

- (71) Applicant: **Ford Global Technologies, LLC**, Dearborn, MI (US)
- (72) Inventors: **David Dewitt**, Docklands (AU); **Todd Willing**, East Melbourne (AU); **Max Wolff**, Birmingham, MI (US)
- (73) Assignee: **Ford Global Technologies, LLC**, Dearborn, MI (US)
- (**) Term: **15 Years**
- (21) Appl. No.: **29/717,460**
- (22) Filed: **Dec. 17, 2019**

D703,586 S *	4/2014	Platto	D12/98
D718,190 S *	11/2014	Platto	D12/98
D755,679 S *	5/2016	Sato	D12/98
D759,545 S *	6/2016	Sato	D12/98
D760,121 S *	6/2016	Sato	D12/98
D763,738 S *	8/2016	Dewitt	D12/98
D764,980 S *	8/2016	Platto	D12/98
D775,551 S *	1/2017	Platto	D12/98
D809,428 S *	2/2018	Platto	D12/98
D809,429 S *	2/2018	Platto	D12/98
D811,274 S *	2/2018	Platto	D12/98
D869,991 S *	12/2019	Dewitt	D12/98
D869,992 S *	12/2019	Dewitt	D12/98

* cited by examiner

Primary Examiner — Melody N Brown

(57) **CLAIM**

The ornamental design for a motor vehicle exterior and/or other replica, as shown and described.

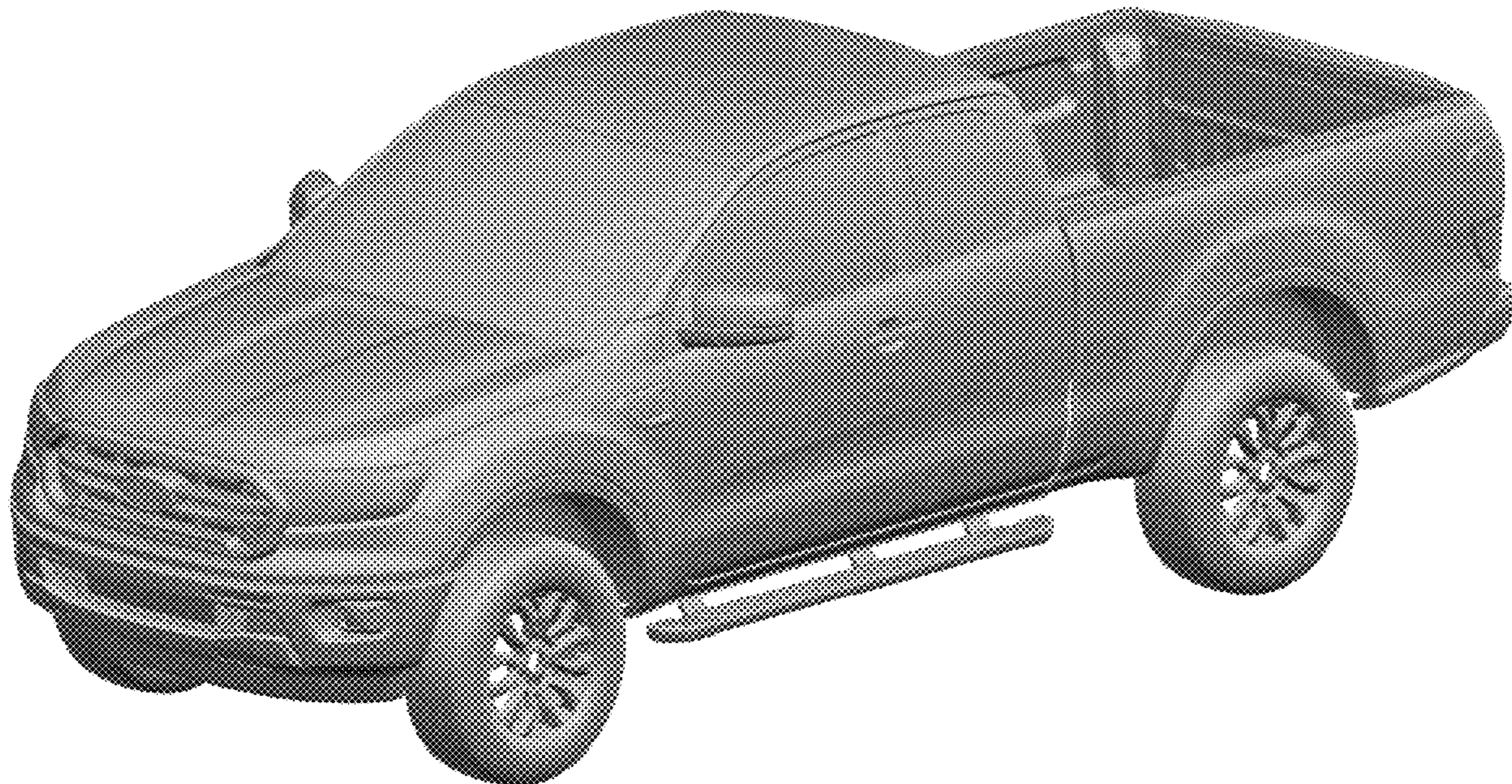
DESCRIPTION

FIG. 1 is a front elevational view of a motor vehicle exterior and/or other replica, showing our new design;
 FIG. 2 is a rear elevational view thereof;
 FIG. 3 is a left side elevational view thereof;
 FIG. 4 is a right side elevational view thereof;
 FIG. 5 is a top plan view thereof;
 FIG. 6 is a top, front, and left side perspective view thereof;
 and,
 FIG. 7 is a top, rear, and left side perspective view thereof.

1 Claim, 7 Drawing Sheets

Related U.S. Application Data

- (62) Division of application No. 29/632,616, filed on Jan. 9, 2018, now Pat. No. Des. 869,991.
- (51) **LOC (12) Cl.** **12-08**
- (52) **U.S. Cl.**
USPC **D12/98**
- (58) **Field of Classification Search**
USPC D12/86, 90-92, 164, 98; D21/424, 433,
D21/434, 533; 296/181.1, 181.5, 181.3,
296/183.1, 37.6
CPC B60R 9/06; B62D 35/00
See application file for complete search history.



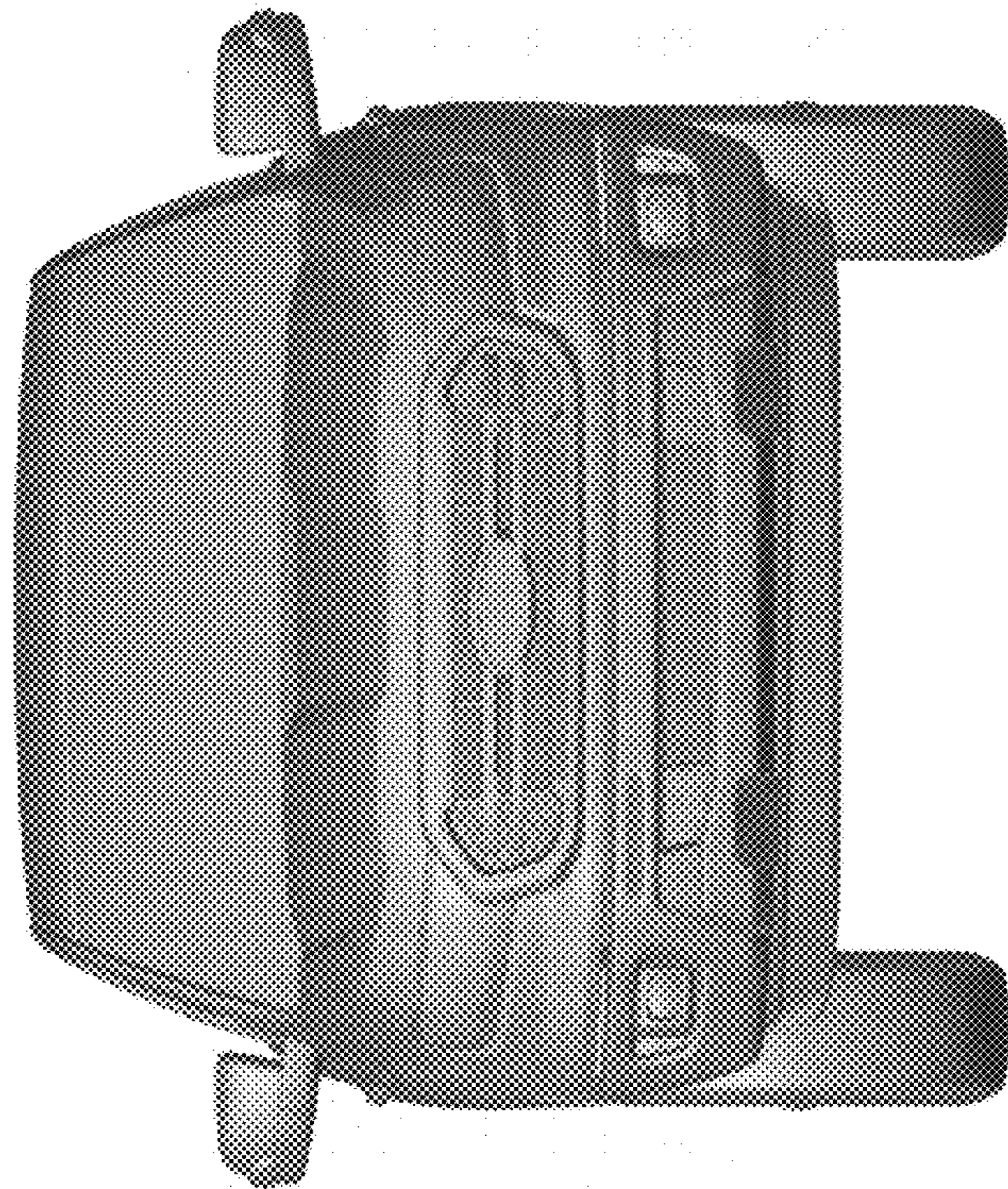


Fig. 1

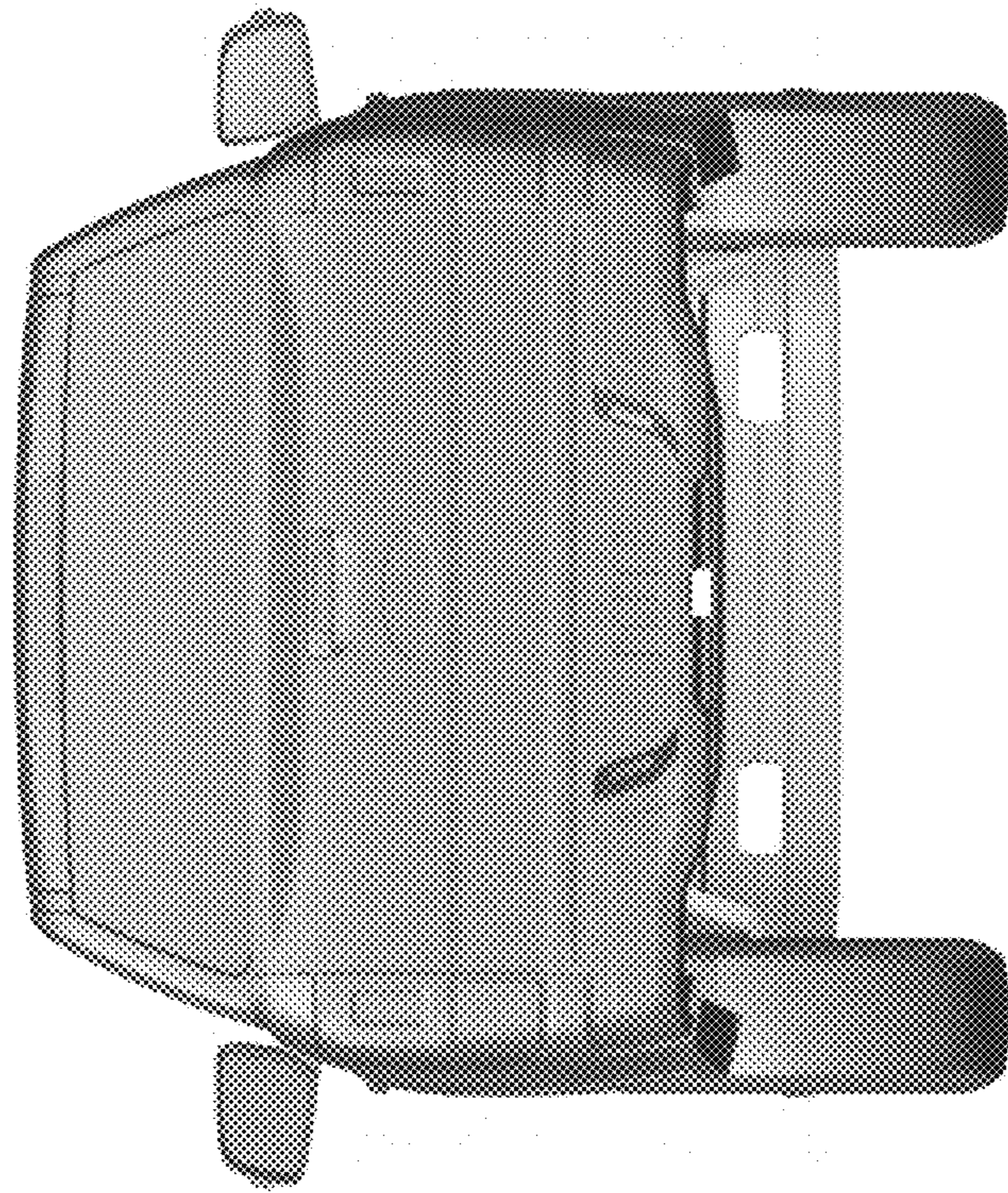


Fig. 2

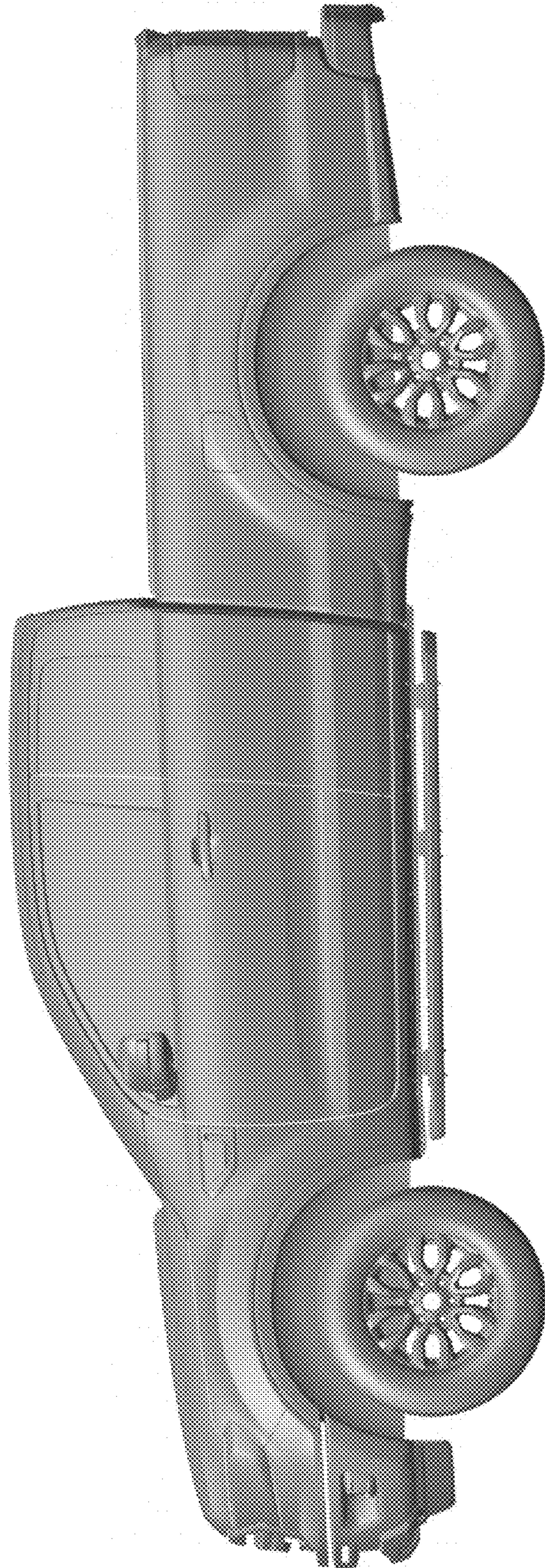


Fig. 3

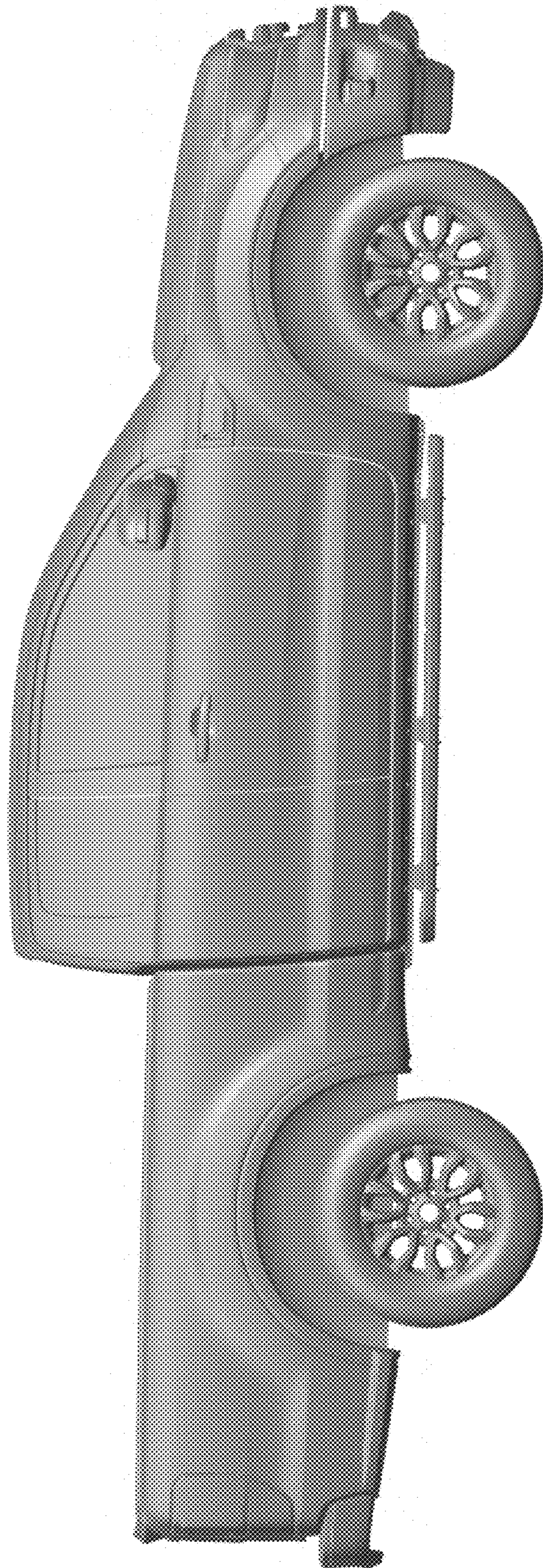


Fig. 4



Fig. 5



Fig. 6



Fig. 7