

US00D899313S

(12) **United States Design Patent** (10) **Patent No.:** **US D899,313 S**
Dewitt et al. (45) **Date of Patent:** **** Oct. 20, 2020**

(54) **MOTOR VEHICLE EXTERIOR AND/OR OTHER REPLICA**

(71) Applicant: **Ford Global Technologies, LLC**, Dearborn, MI (US)

(72) Inventors: **David Dewitt**, Docklands (AU); **Todd Willing**, East Melbourne (AU); **Max Wolff**, Birmingham, MI (US)

(73) Assignee: **Ford Global Technologies, LLC**, Dearborn, MI (US)

(**) Term: **15 Years**

(21) Appl. No.: **29/717,458**

(22) Filed: **Dec. 17, 2019**

Related U.S. Application Data

(62) Division of application No. 29/632,616, filed on Jan. 9, 2018, now Pat. No. Des. 869,991.

(51) **LOC (12) Cl.** **12-08**

(52) **U.S. Cl.**
USPC **D12/98**

(58) **Field of Classification Search**
USPC D12/86, 90-92, 164, 98; D21/424, 433, D21/434, 533; 296/181.1, 181.5, 181.3, 296/183.1, 37.6
CPC B60R 9/06; B62D 35/00
See application file for complete search history.

(56) **References Cited**

U.S. PATENT DOCUMENTS

D703,586 S * 4/2014 Platto D12/98
D718,190 S * 11/2014 Platto D12/98

D755,679 S * 5/2016 Sato D12/98
D759,545 S * 6/2016 Sato D12/98
D760,121 S * 6/2016 Sato D12/98
D763,738 S * 8/2016 Dewitt D12/98
D764,980 S * 8/2016 Platto D12/98
D775,551 S * 1/2017 Platto D12/98
D809,428 S * 2/2018 Platto D12/98
D809,429 S * 2/2018 Platto D12/98
D811,274 S * 2/2018 Platto D12/98
D869,991 S * 12/2019 Dewitt D12/98
D869,992 S * 12/2019 Dewitt D12/98

* cited by examiner

Primary Examiner — Melody N Brown

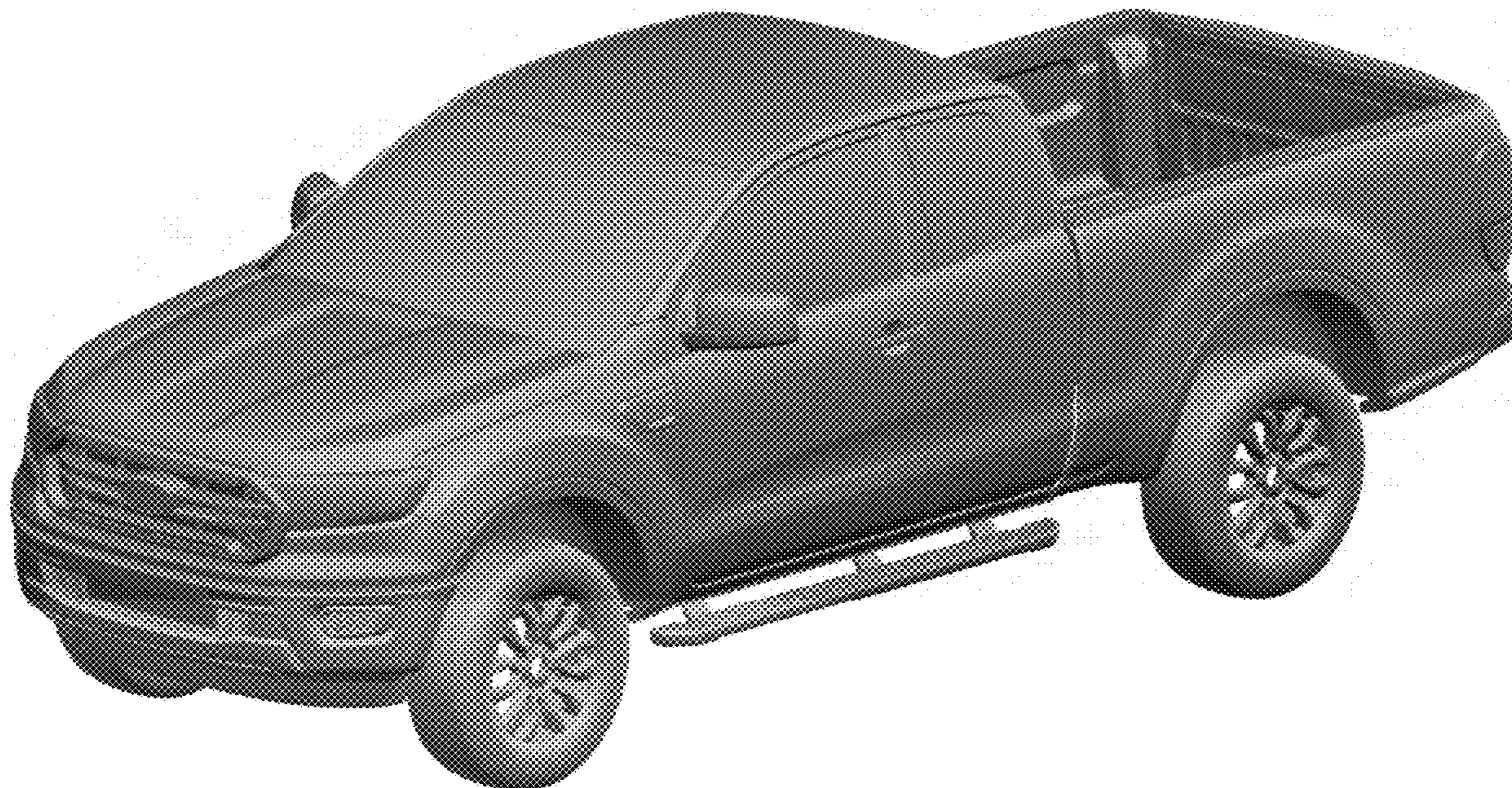
(57) **CLAIM**

The ornamental design for a motor vehicle exterior and/or other replica, as shown and described.

DESCRIPTION

FIG. 1 is a front elevational view of a motor vehicle exterior and/or other replica, showing our new design;
FIG. 2 is a rear elevational view thereof;
FIG. 3 is a left side elevational view thereof;
FIG. 4 is a right side elevational view thereof;
FIG. 5 is a top plan view thereof;
FIG. 6 is a top, front, and left side perspective view thereof; and,
FIG. 7 is a top, rear, and left side perspective view thereof. Any broken lines represent an internal boundary of the design; the line itself and the area within form no part of the claim.

1 Claim, 7 Drawing Sheets



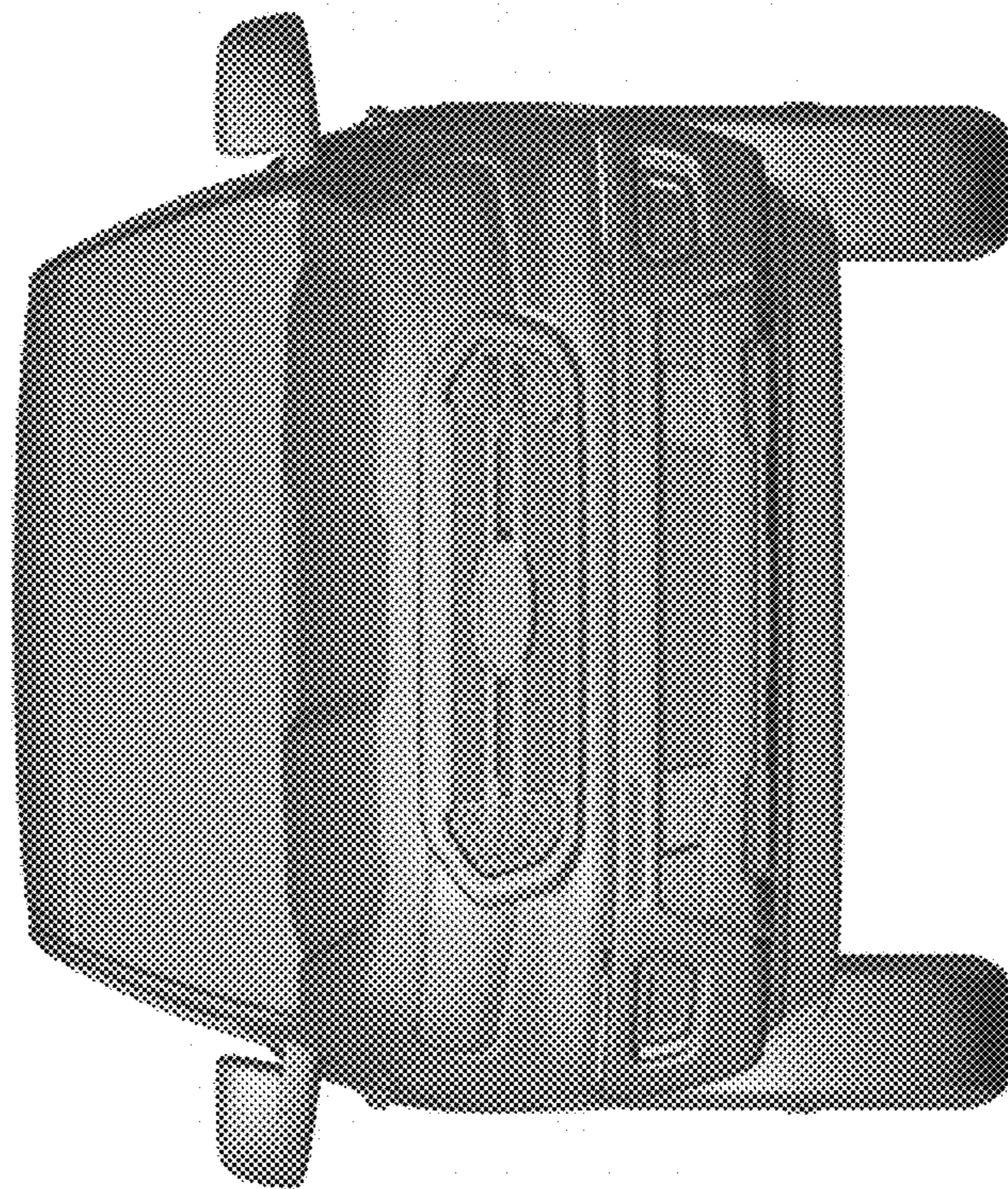


Fig. 1

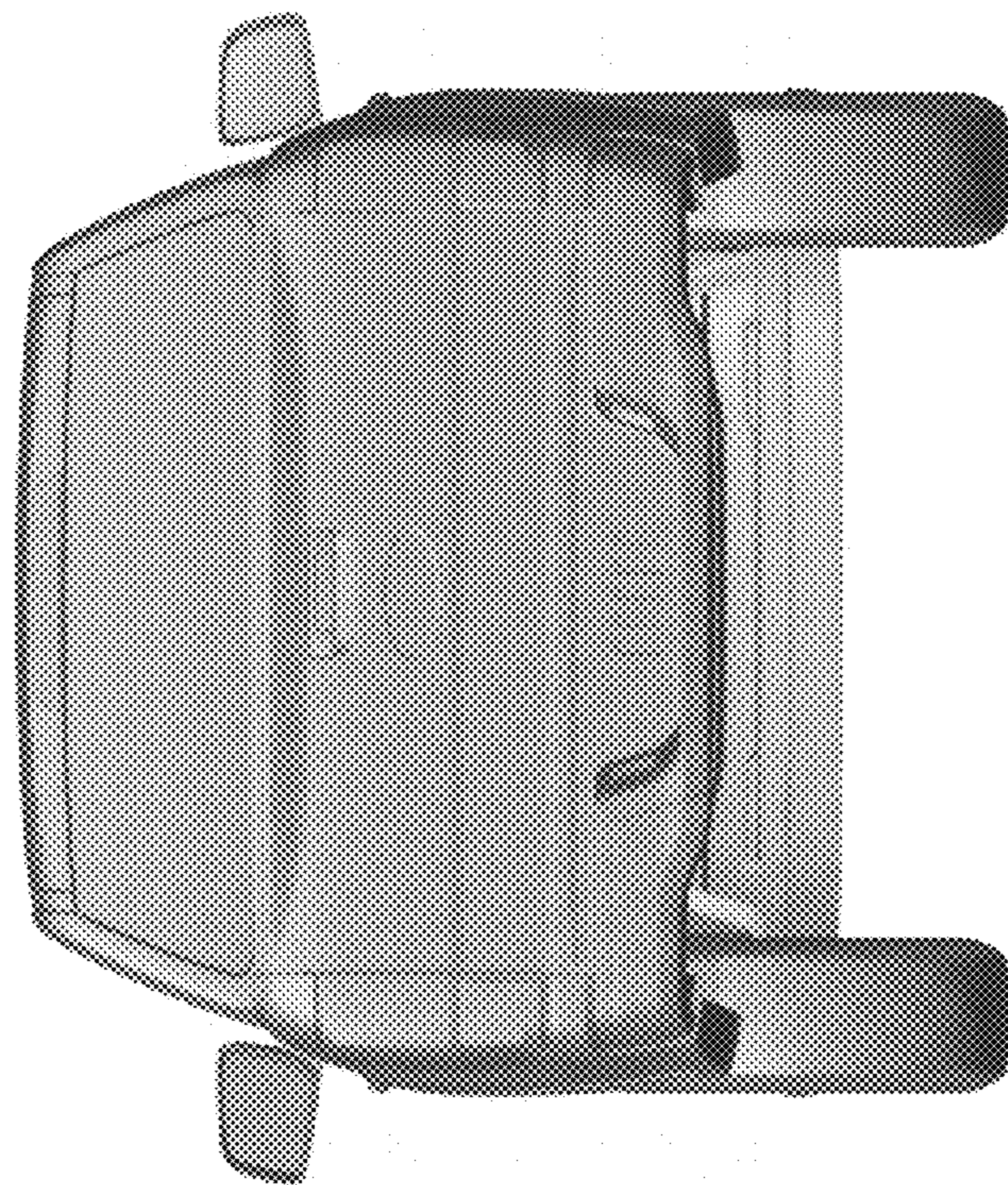


Fig. 2

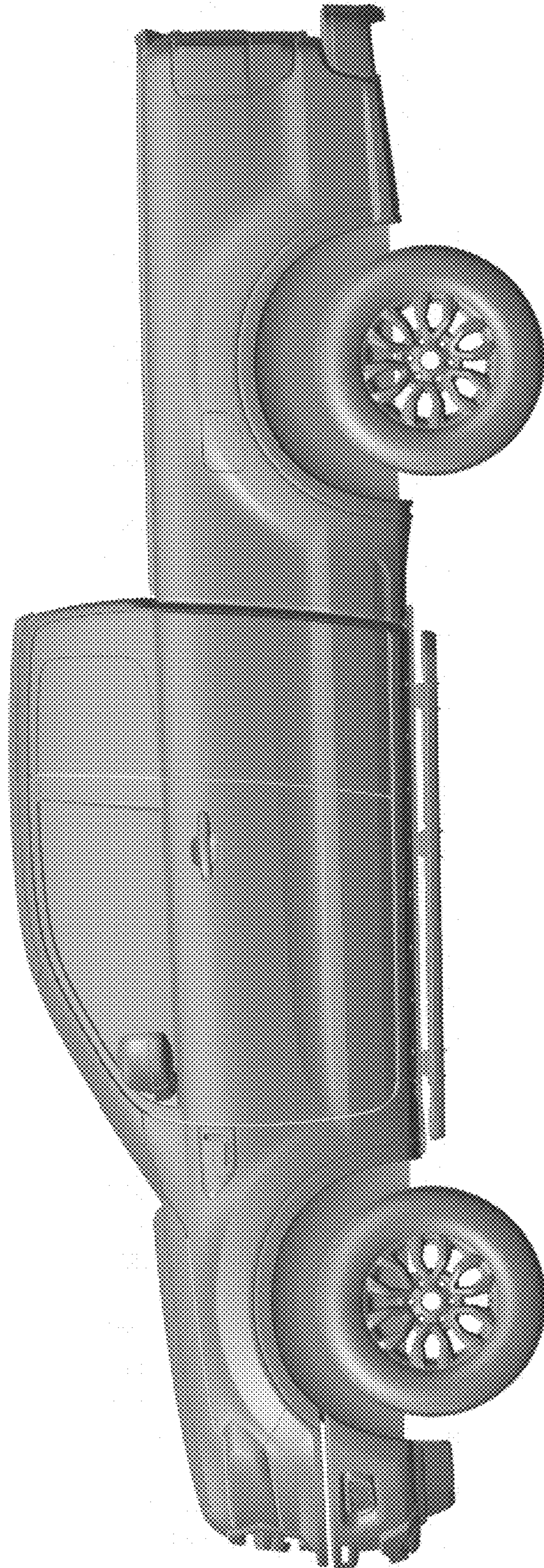


Fig. 3



Fig. 4



Fig. 5

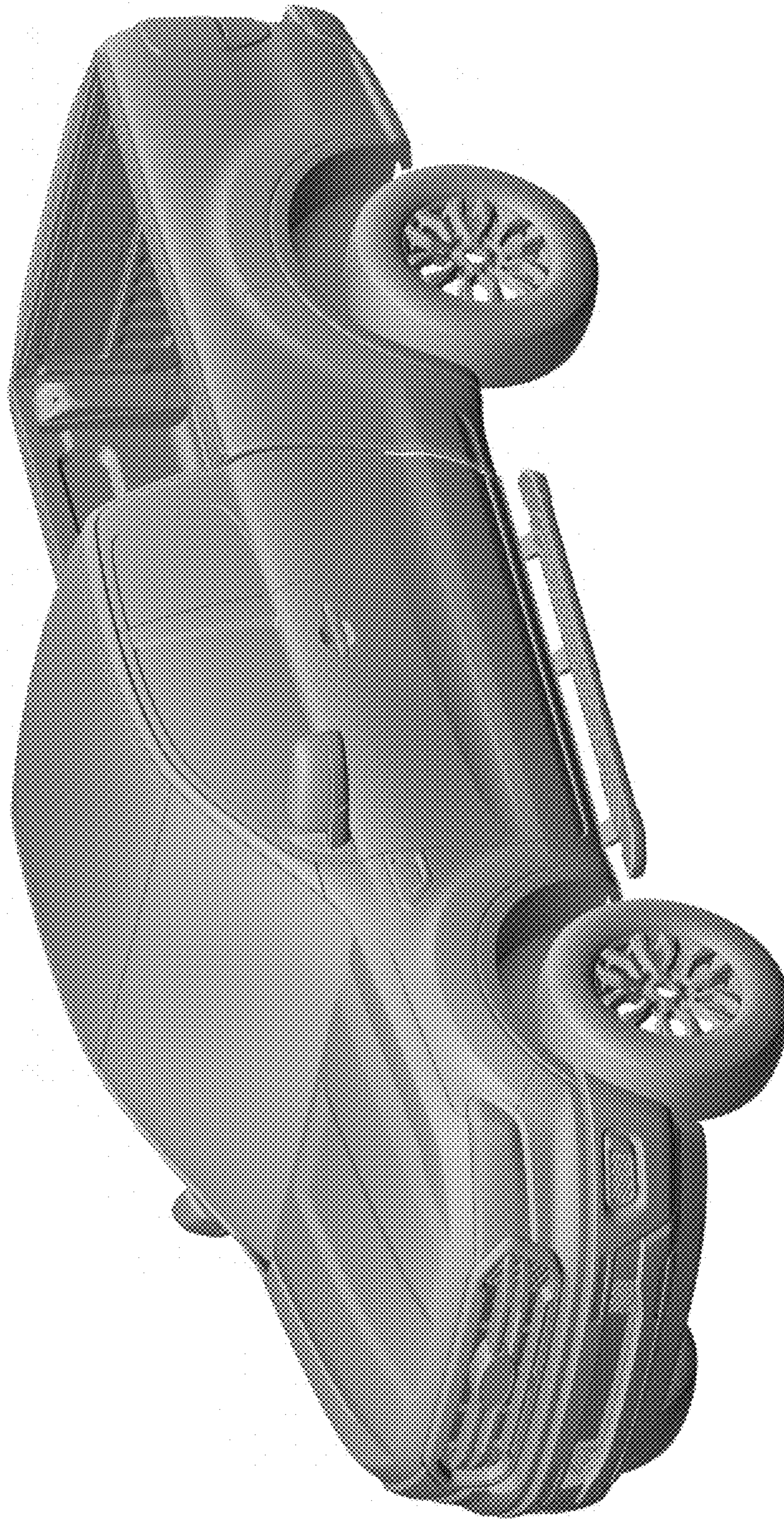


Fig. 6



Fig. 7