



US00D899301S

(12) **United States Design Patent** (10) **Patent No.:** **US D899,301 S**
Samokhvalov et al. (45) **Date of Patent:** **** Oct. 20, 2020**

(54) **ALL-TERRAIN VEHICLE**

(56) **References Cited**

(71) Applicant: **Ensenor Enterprises Limited**, Nicosia (CY)

U.S. PATENT DOCUMENTS

(72) Inventors: **Sergei Samokhvalov**, Kozyn (UA);
Volodymyr Shkolnik, Kyiv (UA)

D223,817 S *	6/1972	Halopoff	D12/92
D590,743 S *	4/2009	Waters	D12/1
D632,613 S *	2/2011	Allaire	D12/12
D661,224 S *	6/2012	Allaire	D12/12
D853,887 S *	7/2019	Samokhvalov	D12/12
D880,357 S *	4/2020	Samokhvalov	D12/1

(**) Term: **15 Years**

(21) Appl. No.: **35/507,334**

OTHER PUBLICATIONS

(22) Filed: **Feb. 27, 2019**

Wikipedia.com entry SHERP All-Terrain Vehicle.*

(80) **Hague Agreement Data**

Int. Filing Date: **Feb. 27, 2019**
 Int. Reg. No.: **DM/202425**
 Int. Reg. Date: **Feb. 27, 2019**
 Int. Reg. Pub. Date: **Aug. 30, 2019**

* cited by examiner

Primary Examiner — George D. Kirschbaum

(30) **Foreign Application Priority Data**

Sep. 4, 2018 (UA) S201802229

(51) **LOC (12) Cl.** **12-13**

(52) **U.S. Cl.**
USPC **D12/12**

(58) **Field of Classification Search**
USPC D12/12, 1, 92
See application file for complete search history.

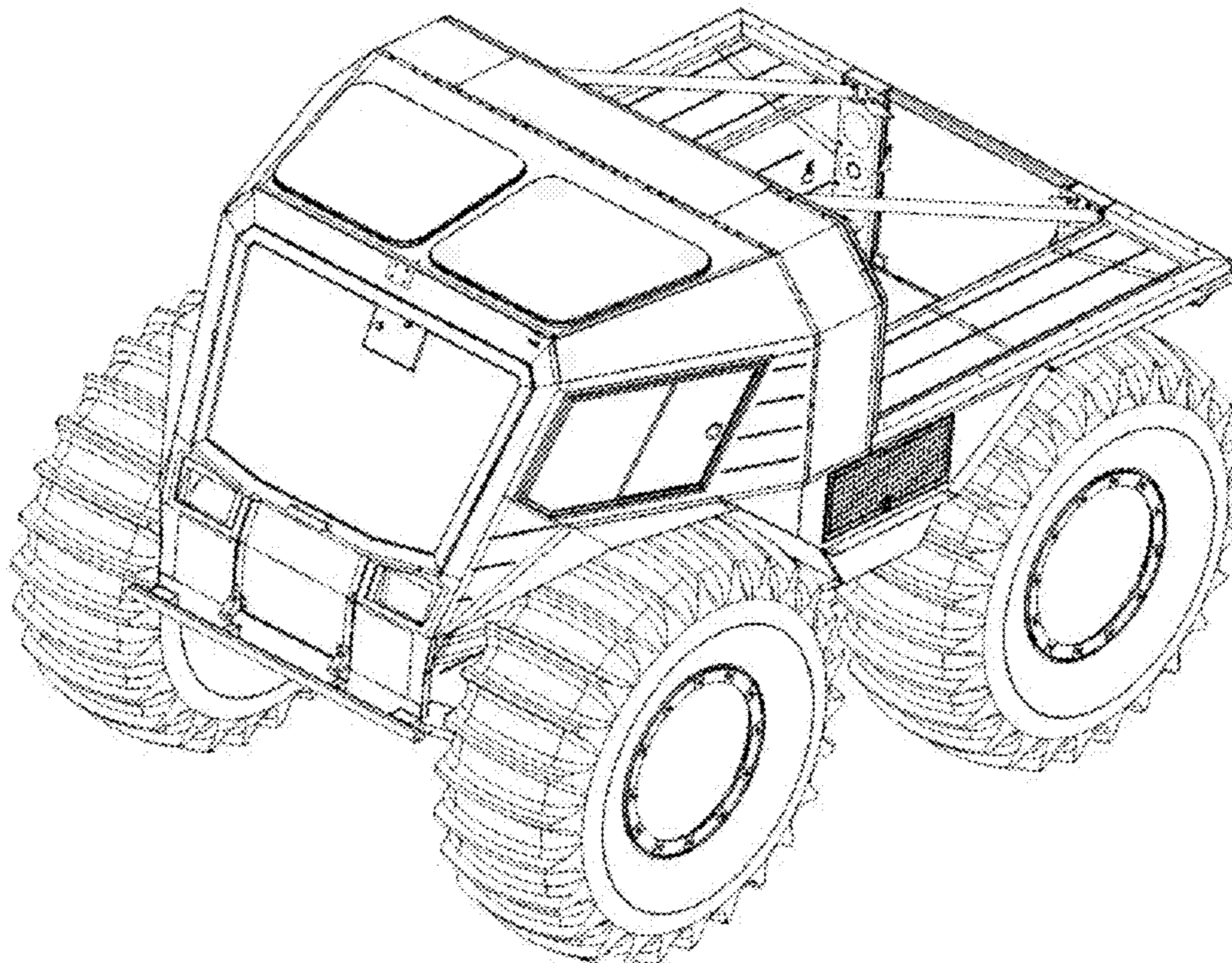
(57) **CLAIM**

The ornamental design for an all-terrain vehicle, as shown and described.

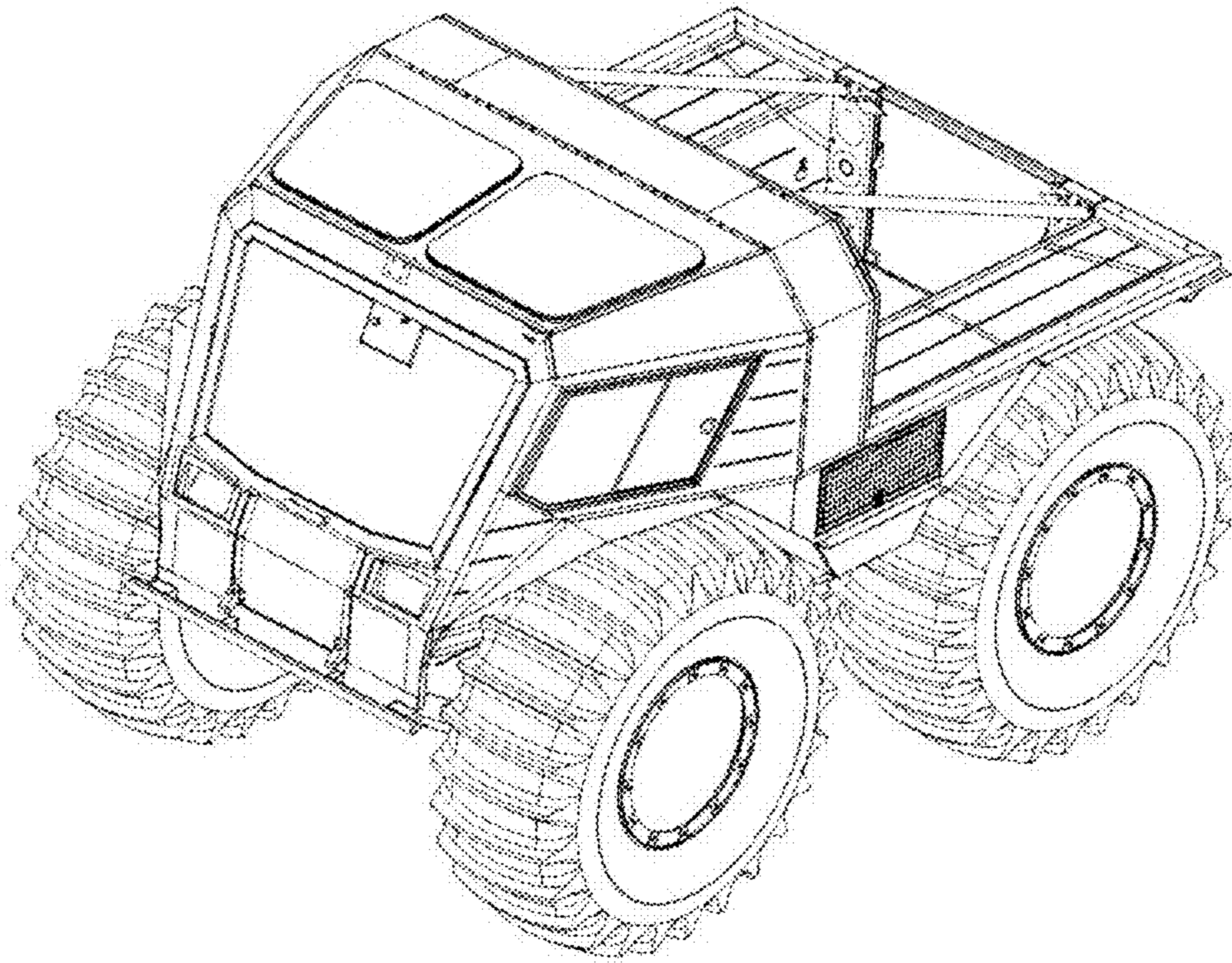
DESCRIPTION

- 1. All-terrain vehicle
- 1.1 : Perspective
- 1.2 : Front
- 1.3 : Back
- 1.4 : Top
- 1.5 : Right
- 1.6 : Left
- 1.7 : Bottom

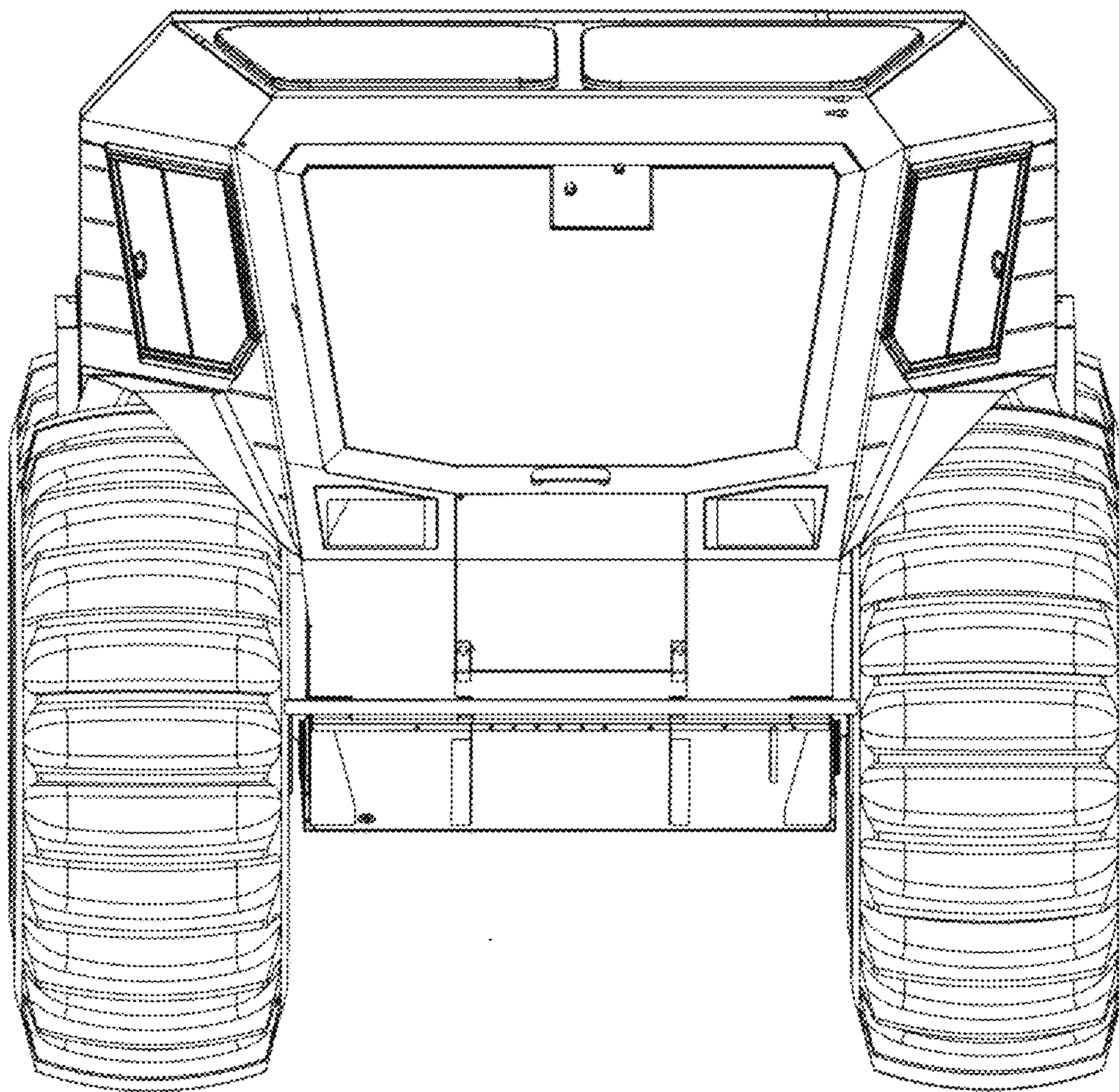
1 Claim, 7 Drawing Sheets



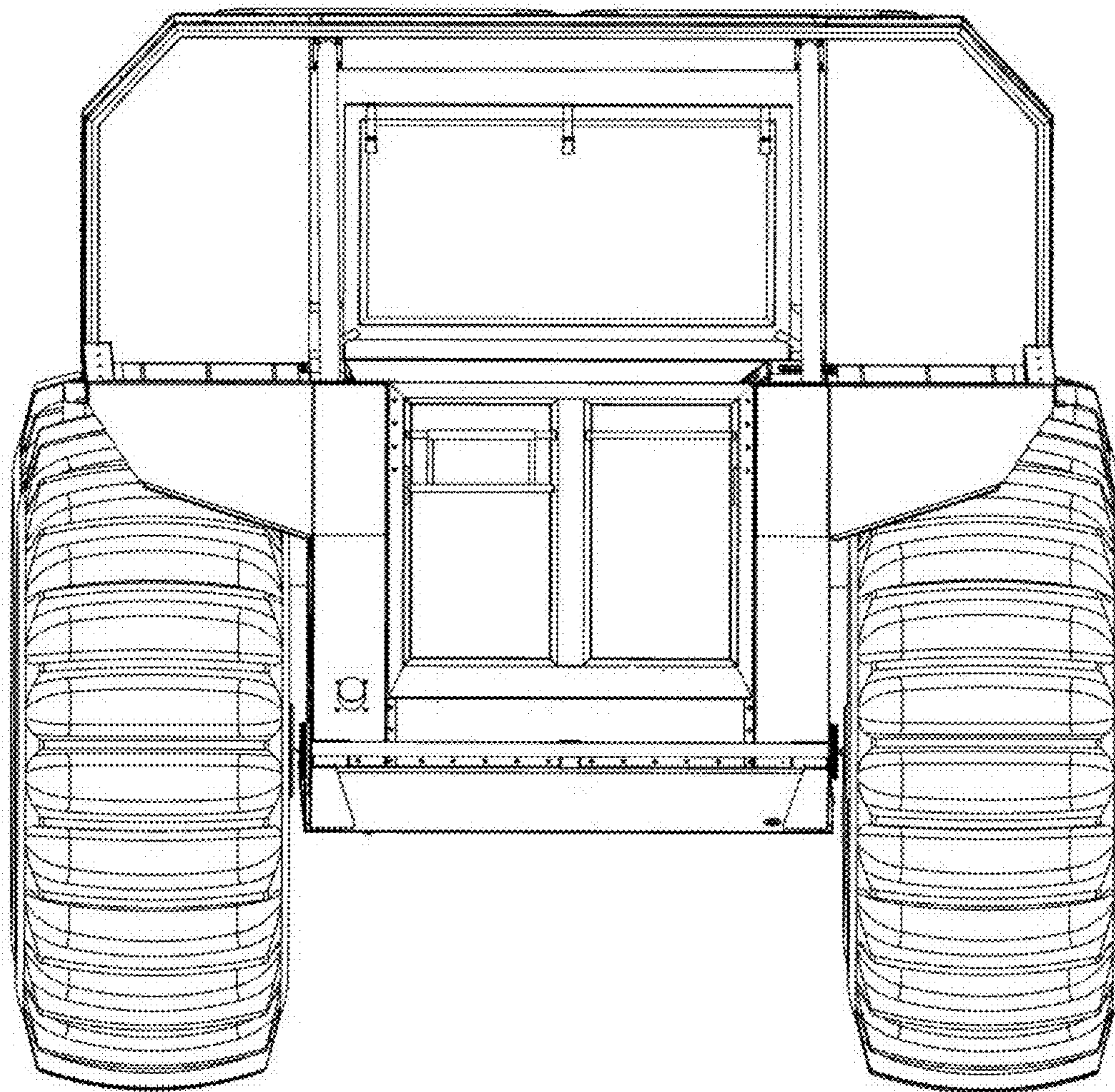
1.1



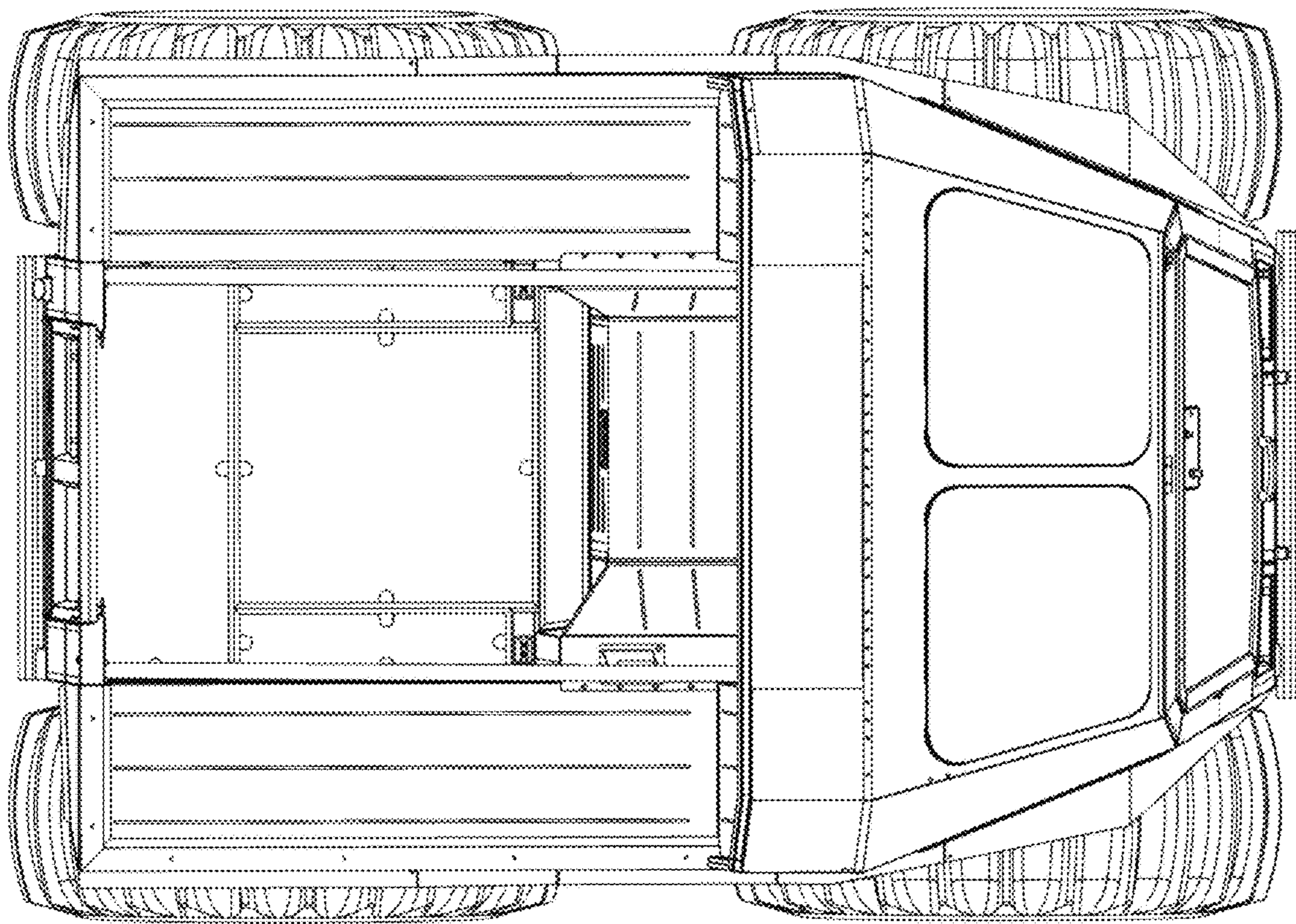
1.2



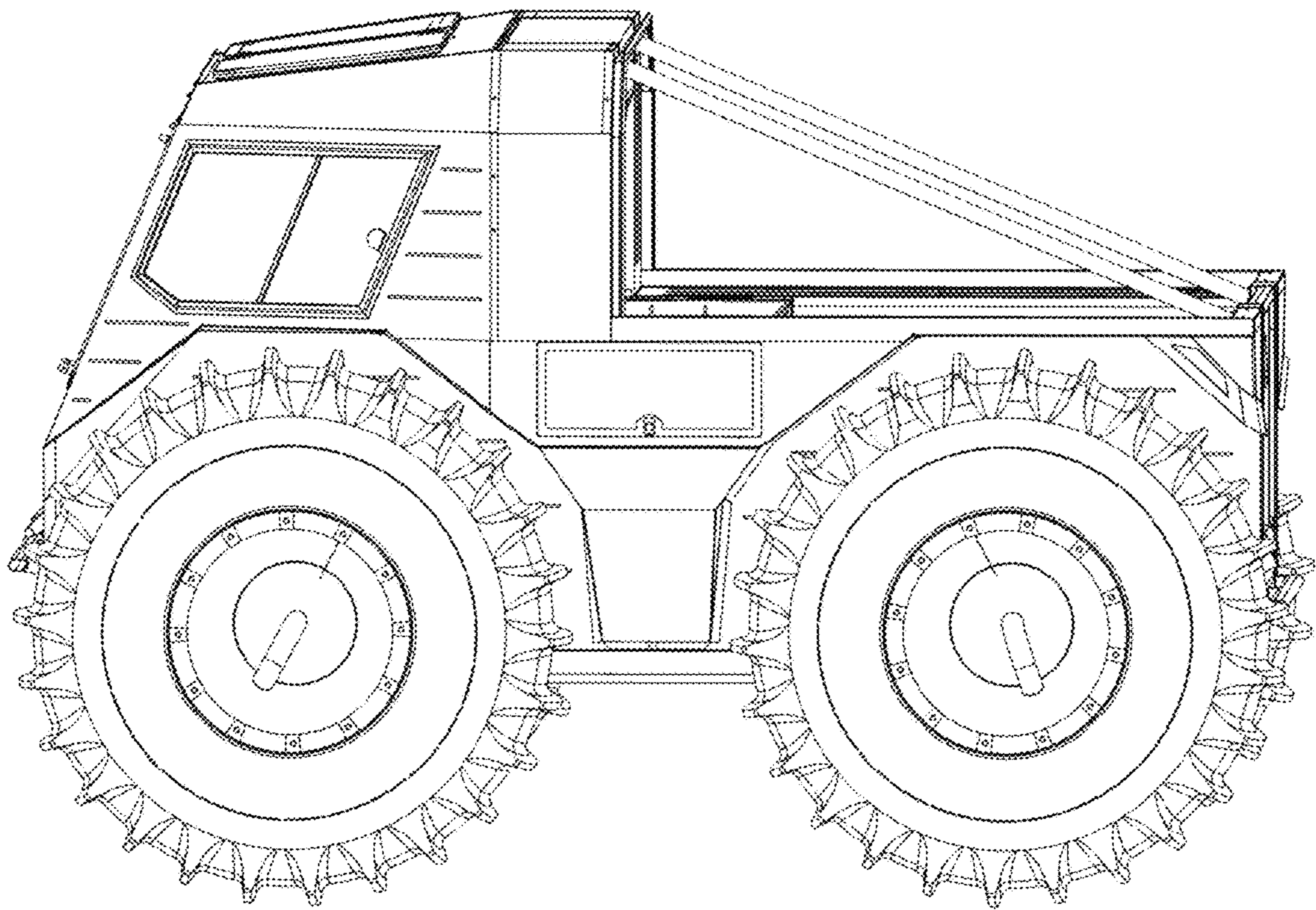
1.3



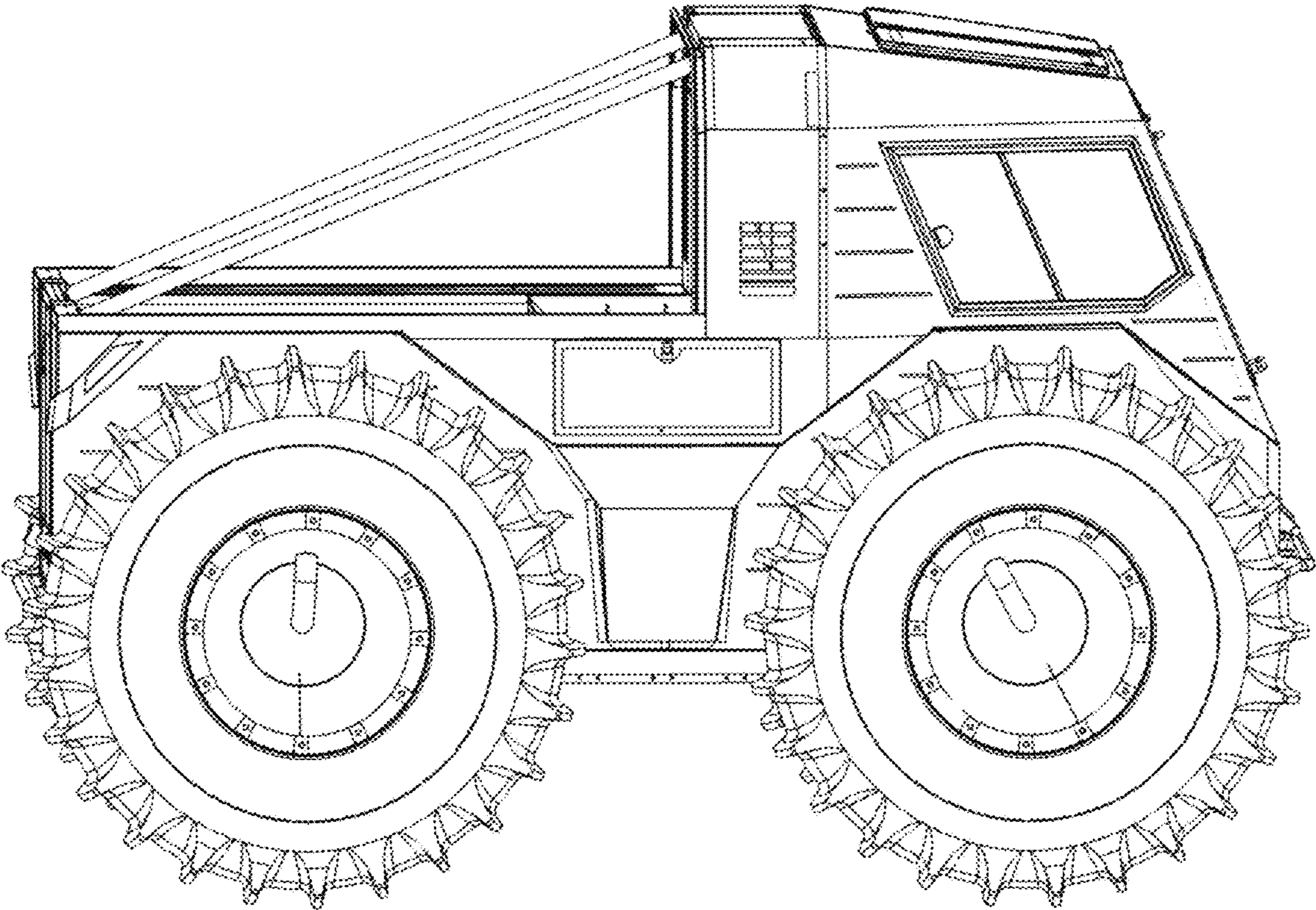
1.4



1.5



1.6



1.7

