



US00D899300S

(12) **United States Design Patent**
Oakley et al.

(10) **Patent No.:** **US D899,300 S**

(45) **Date of Patent:** **** Oct. 20, 2020**

- (54) **SNAP BUTTON**
- (71) Applicant: **ZAMBRINI, LLC**, Chicago, IL (US)
- (72) Inventors: **Annalee Oakley**, Chicago, IL (US);
Gloria Alicia Schwartz, Chicago, IL (US)
- (73) Assignee: **ZAMBRINI, LLC**, Chicago, IL (US)
- (**) Term: **15 Years**
- (21) Appl. No.: **29/700,131**
- (22) Filed: **Jul. 31, 2019**

4,662,033 A	5/1987	Wieland, Jr. et al.
4,875,257 A	10/1989	Anderson et al.
4,969,241 A	11/1990	Griffin
5,014,400 A	5/1991	Ban
D319,201 S	8/1991	Aoki
5,093,965 A	3/1992	Mauras et al.
5,212,851 A	5/1993	Wantanabe
5,926,920 A	7/1999	Denison
6,012,203 A	1/2000	Baron Pearson
D517,947 S *	3/2006	Hollingworth D11/220
7,157,152 B2	1/2007	Urata
7,490,386 B2	2/2009	Raccosta
7,698,836 B2	4/2010	Schmelzer et al.
7,867,625 B2	1/2011	Urata
D642,089 S *	7/2011	Chan D11/220
8,069,538 B2	12/2011	Wilcox

(Continued)

Related U.S. Application Data

- (63) Continuation of application No. 29/569,346, filed on Jun. 27, 2016, now Pat. No. Des. 860,045, which is a continuation of application No. 14/120,435, filed on Mar. 14, 2014, now Pat. No. 9,375,057.
- (51) **LOC (12) Cl.** **02-97**
- (52) **U.S. Cl.**
USPC **D11/220**
- (58) **Field of Classification Search**
USPC D11/220, 222, 226, 218; D8/382
CPC A44B 1/08; A44B 17/0088
See application file for complete search history.

References Cited

U.S. PATENT DOCUMENTS

488,219 A	12/1892	Platt
1,410,916 A	3/1922	Hendrix
3,141,211 A	7/1964	Blake
3,534,446 A	10/1970	Silver
4,099,303 A *	7/1978	Parera A44B 17/0011 24/640
4,344,240 A	8/1982	Schiller
4,481,696 A	11/1984	Kanzaka
4,607,415 A	8/1986	Fukuroi

Primary Examiner — Zenia I Bennett

(74) *Attorney, Agent, or Firm* — AP Patents

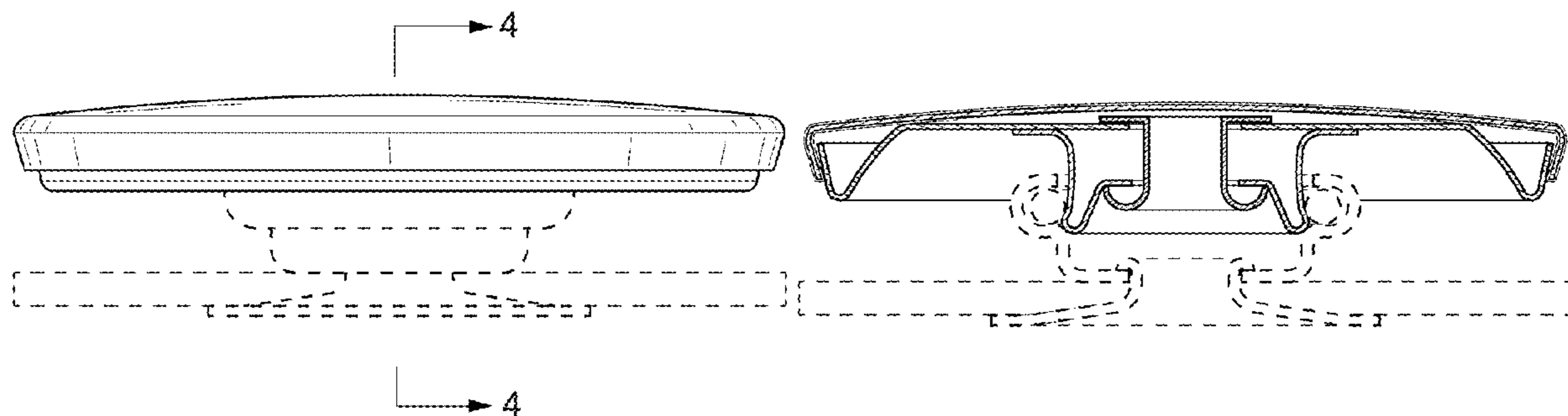
(57) **CLAIM**

The ornamental design for a snap button, as shown and described.

DESCRIPTION

FIG. 1 illustrates a top view of a snap button showing our new design;
 FIG. 2 illustrates a bottom view of the snap button of FIG. 1;
 FIG. 3 illustrates a right side elevation view of the snap button of FIG. 1;
 Left side, front and rear views are identical;
 FIG. 4 illustrates a cross-sectional view of the snap button of FIG. 1 along lines 4-4 of FIG. 3; and,
 FIG. 5 illustrates a rear 3-dimensional view of the snap button of FIG. 1.
 The broken lines showing indicia and substrate and/or the mating portion that the button is attached to are for environmental purposes only and form no part of the claimed design.

1 Claim, 2 Drawing Sheets



(56)

References Cited

U.S. PATENT DOCUMENTS

8,122,519	B2	2/2012	Schmelzer et al.	
8,122,574	B2	2/2012	Dammermann	
D664,891	S *	8/2012	Takeda	D11/220
D665,304	S	8/2012	Takeda	
D678,816	S *	3/2013	Chan	D11/220
8,561,264	B2	10/2013	Hasegawa et al.	
9,375,057	B2	6/2016	Oakley	
D806,393	S	1/2018	Morris	
2009/0229030	A1	9/2009	Devisch et al.	
2012/0199505	A1	8/2012	Black et al.	
2012/0317760	A1	12/2012	Kamiya et al.	

* cited by examiner

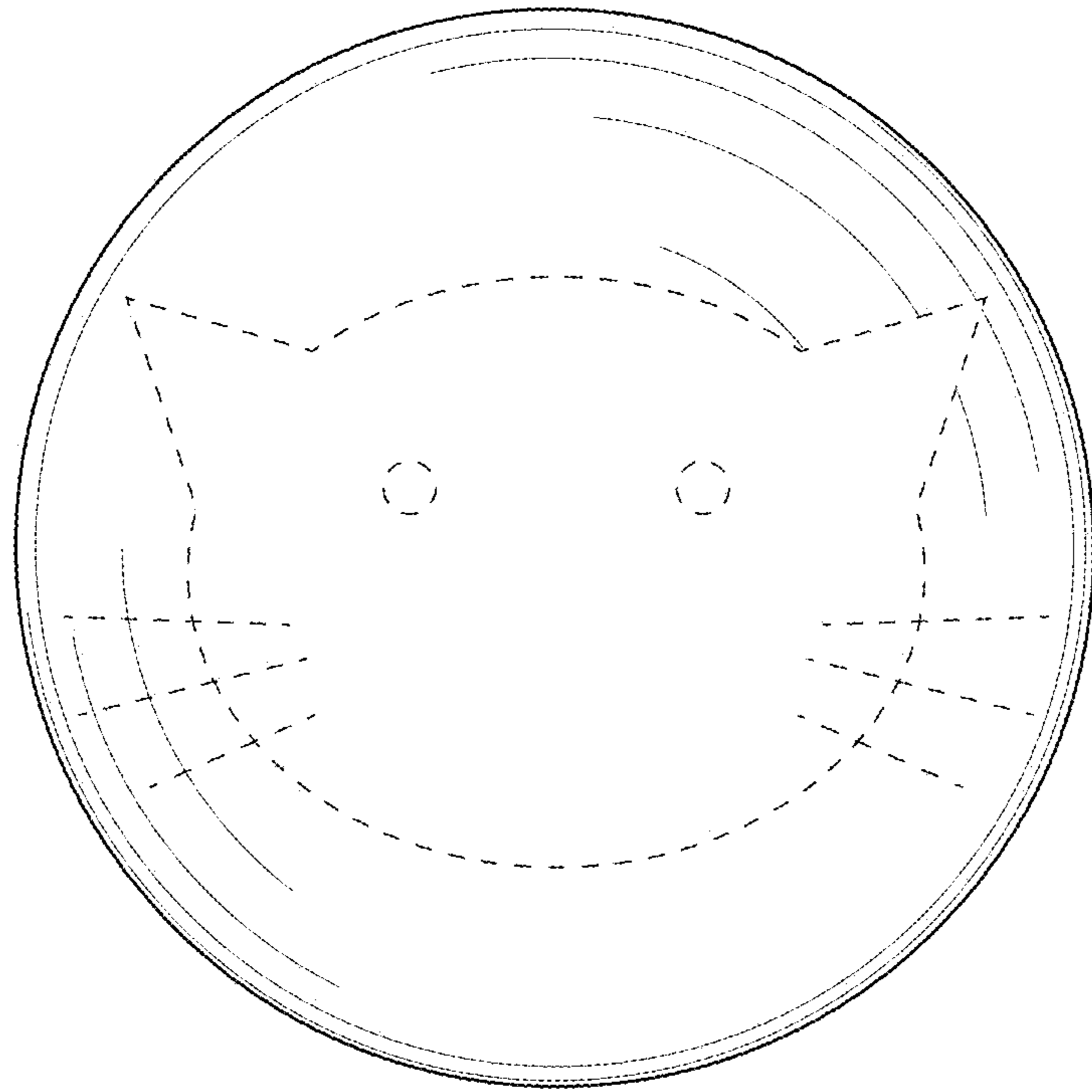


FIG. 1



FIG. 2

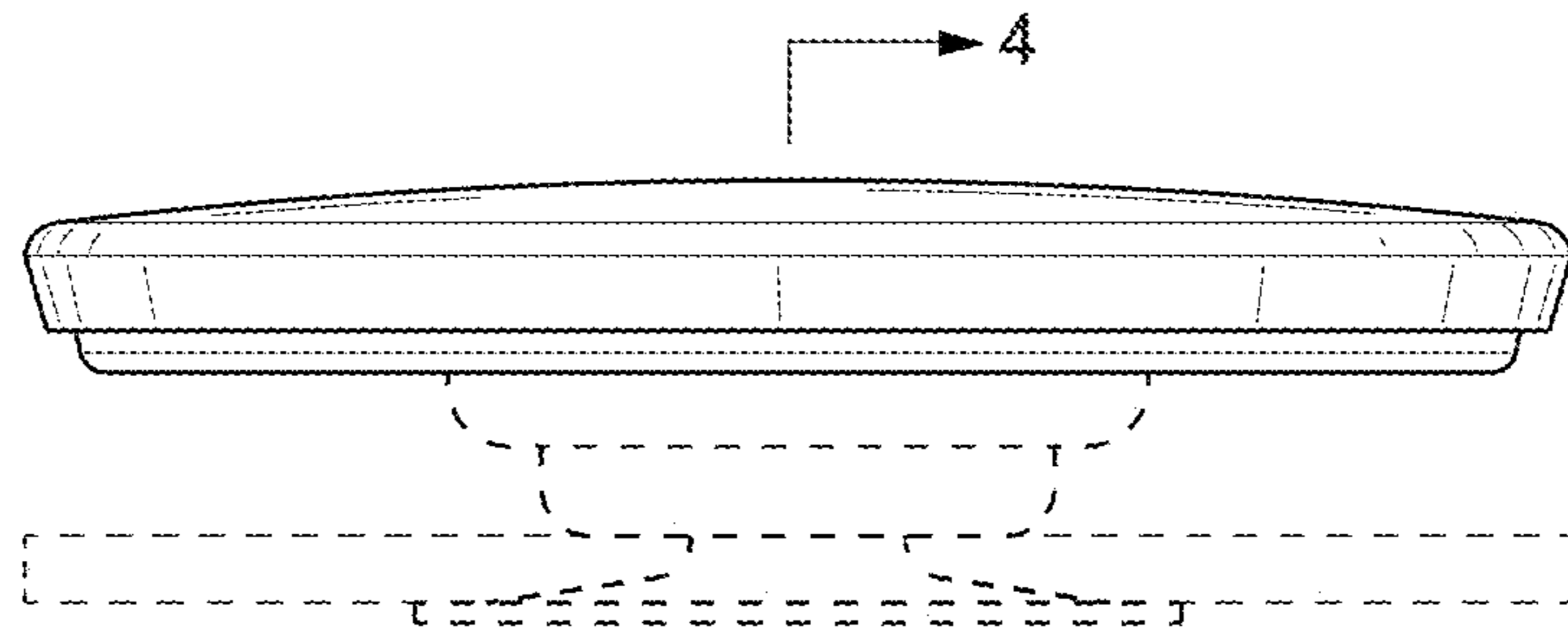


FIG. 3

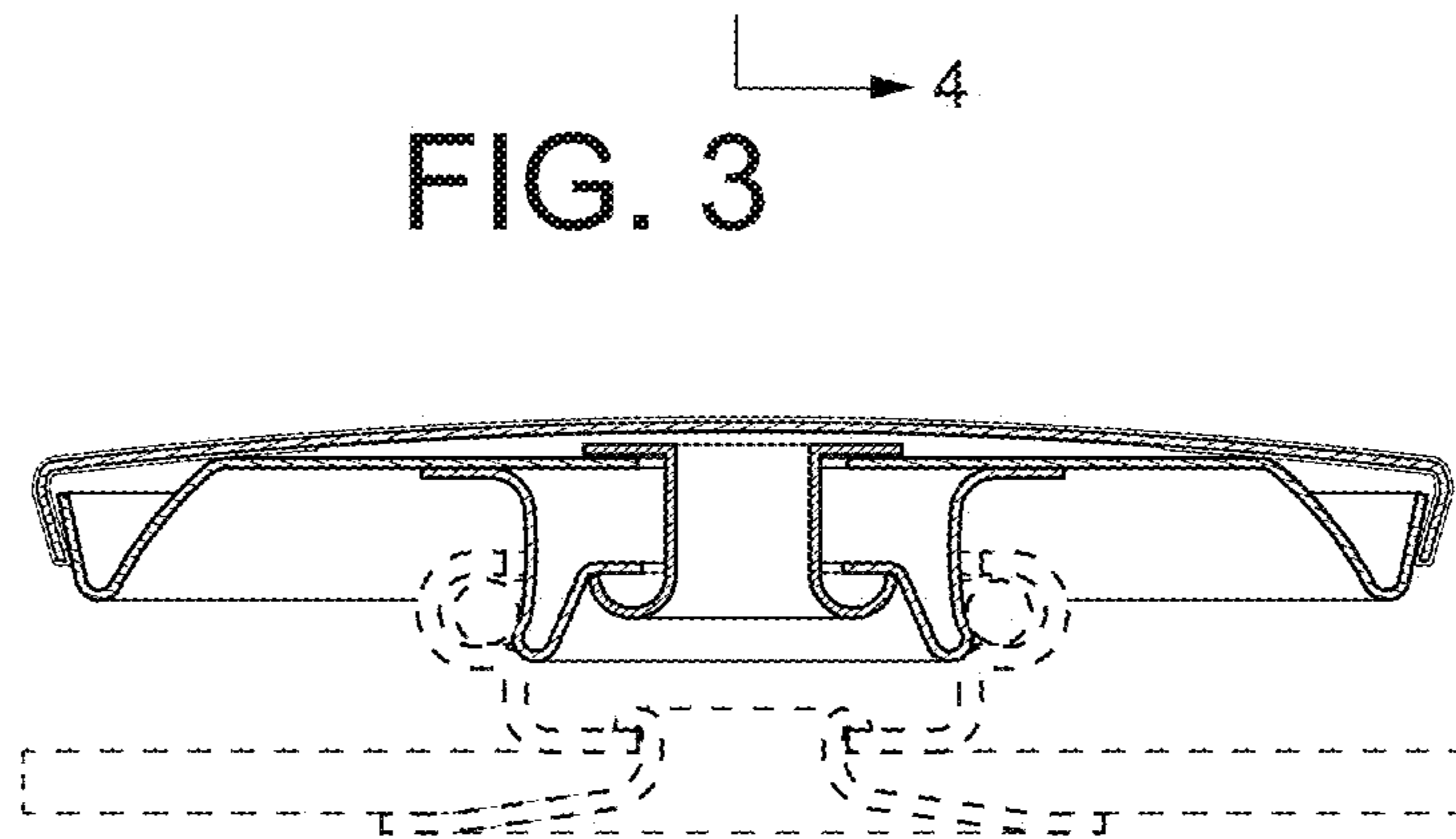


FIG. 4

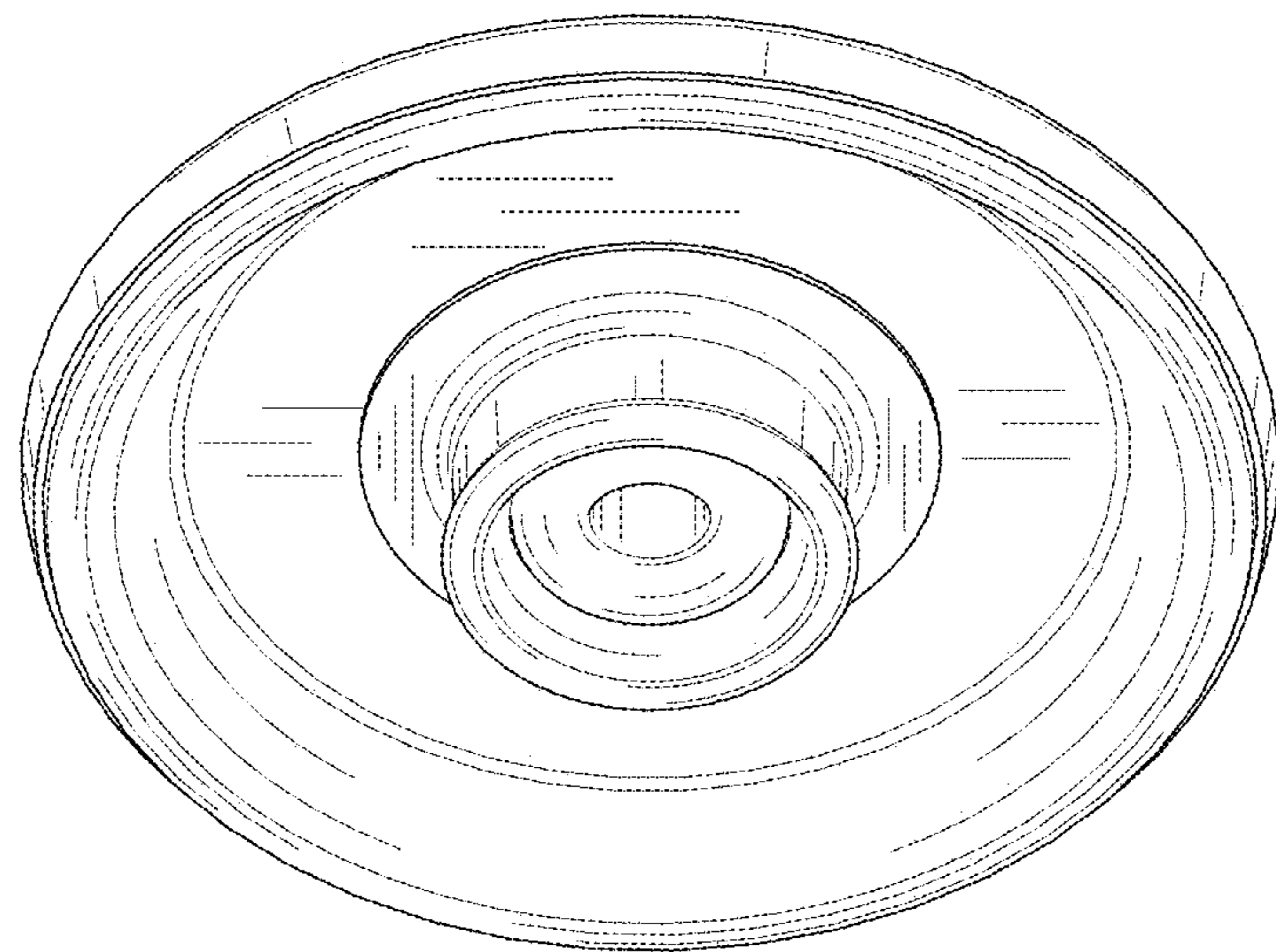


FIG. 5