



US00D899299S

(12) **United States Design Patent** (10) **Patent No.:** **US D899,299 S**  
**Craig et al.** (45) **Date of Patent:** **\*\* Oct. 20, 2020**

(54) **HYDROPONIC SYSTEM**

(71) Applicants: **Joseph Craig**, Marysville, OH (US);  
**Bradley Schultz**, Powell, OH (US);  
**Angie Gray**, Marysville, OH (US);  
**Whitney Maiden**, Marysville, OH  
(US); **Ryan Berger**, Columbus, OH  
(US); **Sean Montag**, Columbus, OH  
(US)

(72) Inventors: **Joseph Craig**, Marysville, OH (US);  
**Bradley Schultz**, Powell, OH (US);  
**Angie Gray**, Marysville, OH (US);  
**Whitney Maiden**, Marysville, OH  
(US); **Ryan Berger**, Columbus, OH  
(US); **Sean Montag**, Columbus, OH  
(US)

(73) Assignee: **OMS Investments, Inc.**, Los Angeles,  
CA (US)

(\*\*) Term: **15 Years**

(21) Appl. No.: **29/670,949**

(22) Filed: **Nov. 21, 2018**

(51) **LOC (12) Cl.** ..... **11-02**

(52) **U.S. Cl.**  
USPC ..... **D11/155**

(58) **Field of Classification Search**  
USPC ..... D11/143-156, 164; D3/304, 307, 315;  
D6/691.6, 692.4, 403-405, 556-558;  
D7/509, 554.3; D34/5

(Continued)

(56) **References Cited**

U.S. PATENT DOCUMENTS

3,106,801 A \* 10/1963 Risacher ..... A01G 9/16  
47/17  
4,236,353 A \* 12/1980 Sorenson ..... A01G 27/04  
47/39

(Continued)

Primary Examiner — Elizabeth A. Albert

(74) *Attorney, Agent, or Firm* — Ulmer & Berne LLP

(57) **CLAIM**

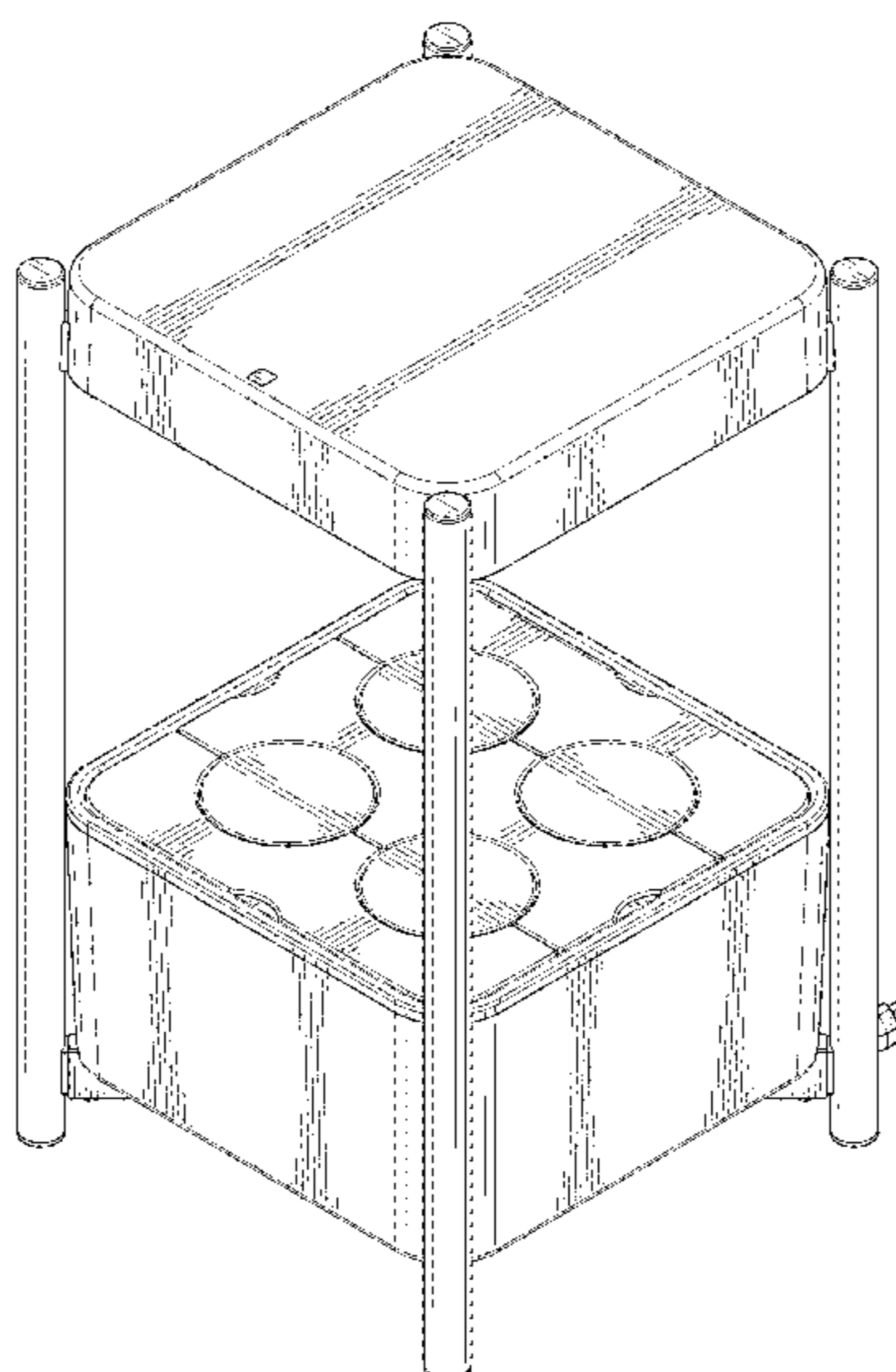
The ornamental design for a hydroponic system, as shown and described.

**DESCRIPTION**

FIG. 1 is a top isometric view of an embodiment of a hydroponic system illustrating the new design; FIG. 2 is a front elevational view thereof; FIG. 3 is a back elevational view thereof; FIG. 4 is a right side elevational view thereof; FIG. 5 is a left side elevational view thereof; FIG. 6 is a top planar view thereof; FIG. 7 is a bottom planar view thereof; FIG. 8 is a bottom isometric view thereof; FIG. 9 is a top isometric view of another embodiment of a hydroponic system illustrating the new design; FIG. 10 is a front elevational view thereof; FIG. 11 is a back elevational view thereof; FIG. 12 is a right side elevational view thereof; FIG. 13 is a left side elevational view thereof; FIG. 14 is a top planar view thereof; FIG. 15 is a bottom planar view thereof; FIG. 16 is a bottom isometric view thereof; FIG. 17 is a top isometric view of another embodiment of a hydroponic system illustrating the new design; FIG. 18 is a front elevational view thereof; FIG. 19 is a back elevational view thereof; FIG. 20 is a right side elevational view thereof; FIG. 21 is a left side elevational view thereof; FIG. 22 is a top planar view thereof; FIG. 23 is a bottom planar view thereof; and, FIG. 24 is a bottom isometric view thereof.

The broken lines in the drawings are included for the purpose of illustrating portions of the hydroponic system that form no part of the claimed design.

**1 Claim, 24 Drawing Sheets**



# US D899,299 S

(58) **Field of Classification Search**

CPC . A47G 7/02; A47G 7/04; A47G 7/041; A47G 7/042; A47G 7/044; A47G 7/045; A47G 7/047; A47G 7/06; A47G 7/063; A47G 7/08; A47G 2007/048; A01G 2009/003; A01G 9/02; A01G 9/021; A01G 9/022; A01G 9/026; A01G 9/028; A01G 9/029; A01G 9/0293; A01G 9/0299; A01G 9/033; A01G 9/04; A01G 9/045; A01G 9/047

See application file for complete search history.

(56) **References Cited**

U.S. PATENT DOCUMENTS

RE30,657 E \* 6/1981 Mason, Jr. .... A01G 9/16  
47/79  
4,850,134 A \* 7/1989 Sneekenes ..... A01G 9/1423  
47/18  
5,067,275 A \* 11/1991 Constance ..... A01G 31/02  
47/59 R  
5,117,581 A \* 6/1992 Green ..... A01G 27/04  
47/18

5,673,511 A \* 10/1997 Holtkamp, Jr. .... A01G 9/028  
47/18  
D606,773 S \* 12/2009 Copp ..... D6/403  
D625,145 S \* 10/2010 King ..... D7/388  
8,701,651 B2 \* 4/2014 King ..... A47J 36/34  
126/152 R  
D704,011 S \* 5/2014 Velez ..... D8/1  
9,003,700 B2 \* 4/2015 Kumar ..... A47B 85/06  
47/39  
9,173,352 B1 \* 11/2015 Moreland ..... A01K 1/00  
D771,520 S \* 11/2016 Bryan, III ..... D11/155  
9,655,307 B2 \* 5/2017 Burmann ..... B62B 3/002  
9,974,250 B1 \* 5/2018 Creekmore ..... A01G 31/00  
D836,936 S \* 1/2019 Jeppson ..... D6/403  
10,383,292 B2 \* 8/2019 Jollie ..... A01G 31/02  
2012/0000128 A1 \* 1/2012 Rochefort ..... A01G 31/02  
47/62 R  
2014/0026474 A1 \* 1/2014 Kulas ..... A01G 22/00  
47/1.7  
2015/0201563 A1 \* 7/2015 Chiang ..... A01G 9/028  
47/86  
2018/0064048 A1 \* 3/2018 Joseph ..... A01G 9/022  
2019/0082626 A1 \* 3/2019 Zeldes ..... A01G 31/02  
2019/0191643 A1 \* 6/2019 Chan ..... H05B 37/0218

\* cited by examiner



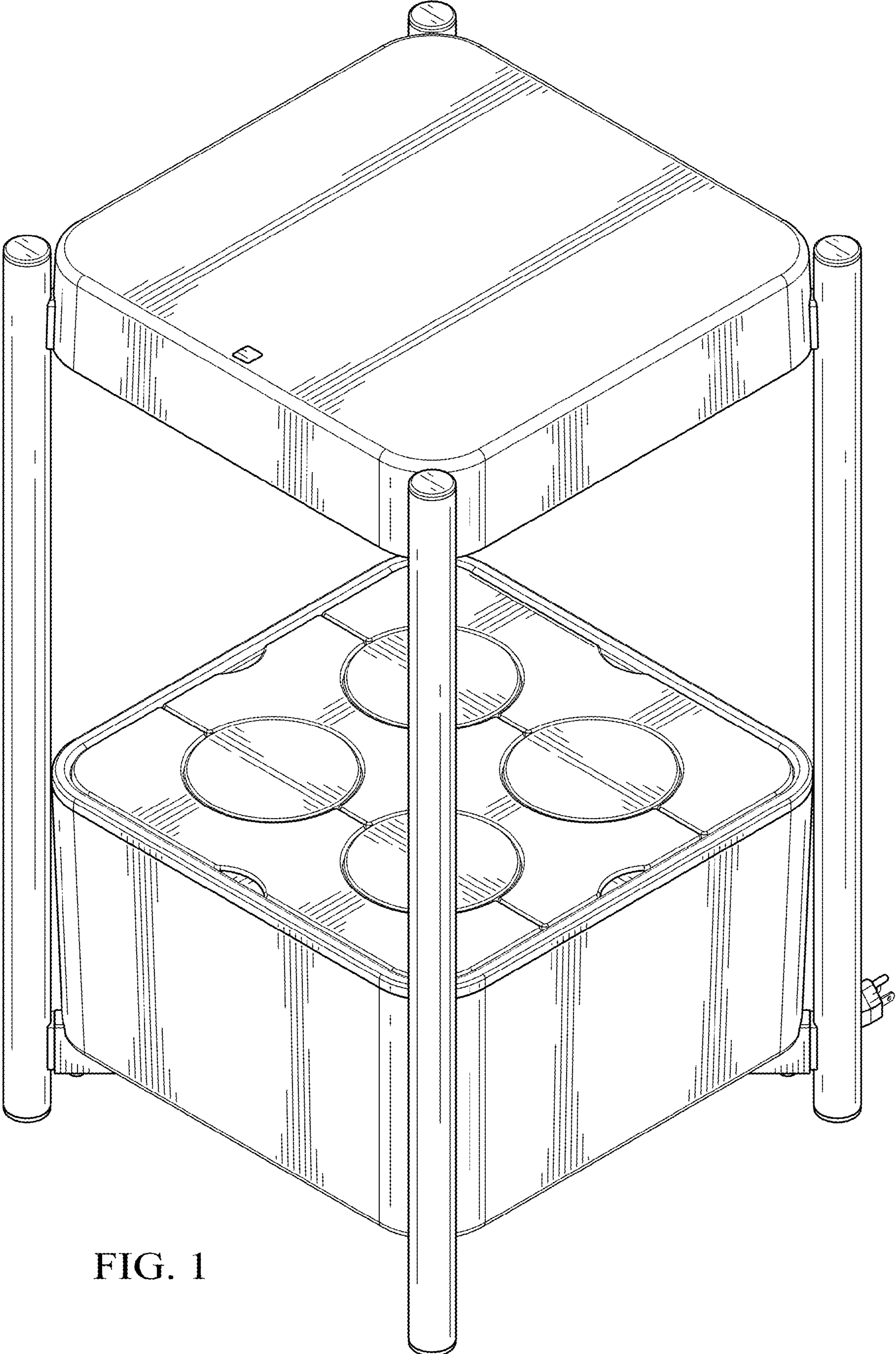


FIG. 1

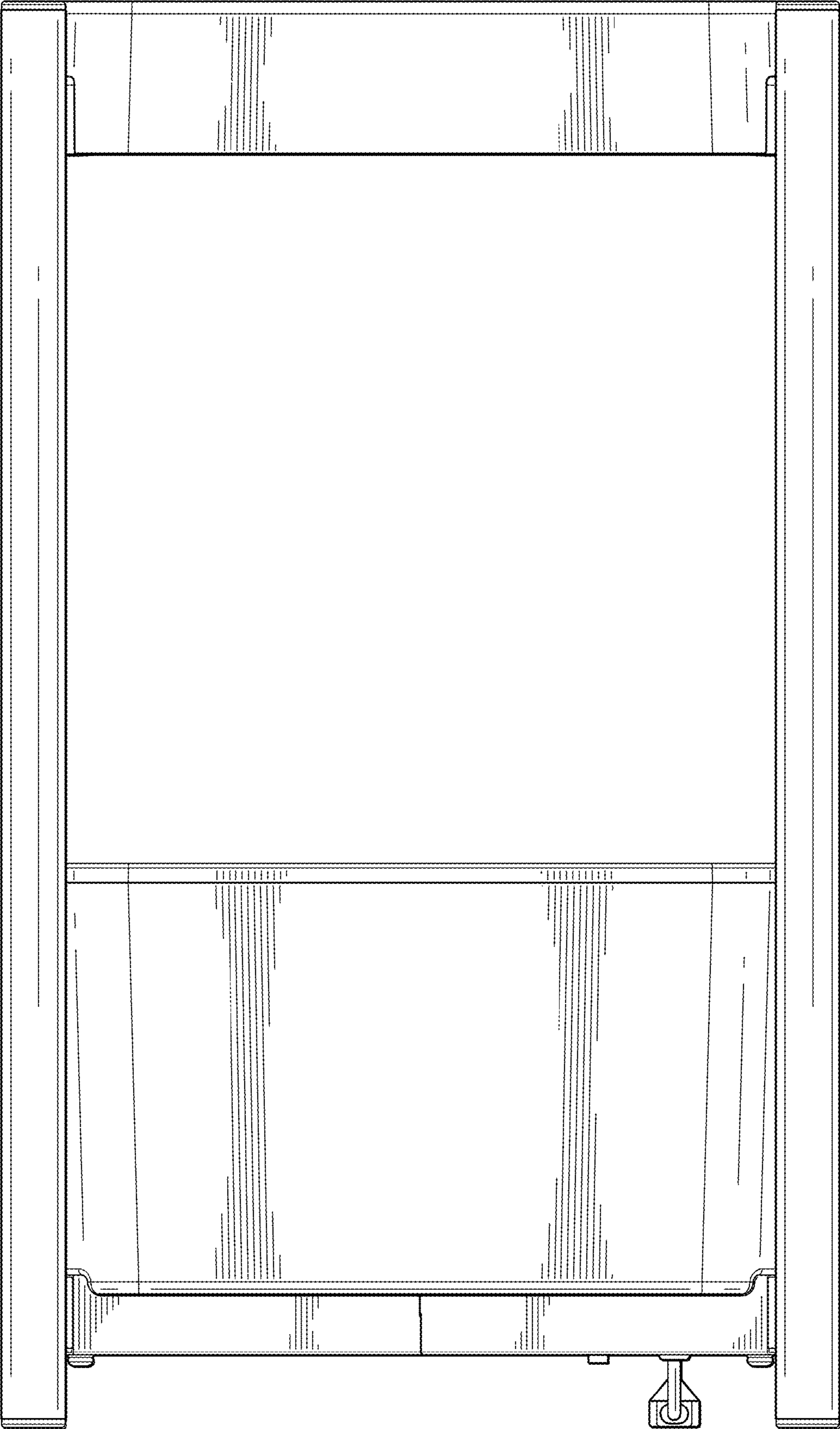


FIG. 2

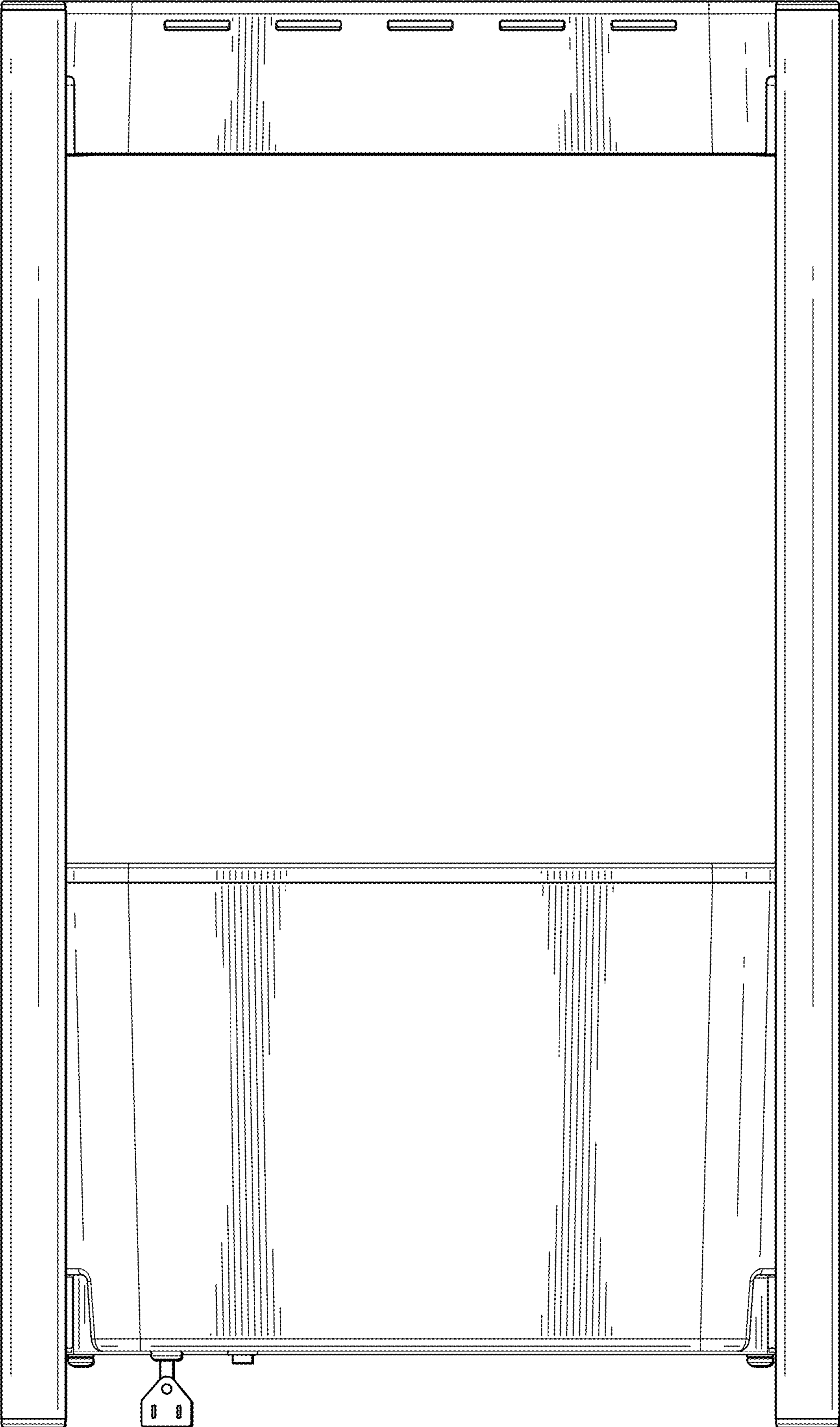


FIG. 3

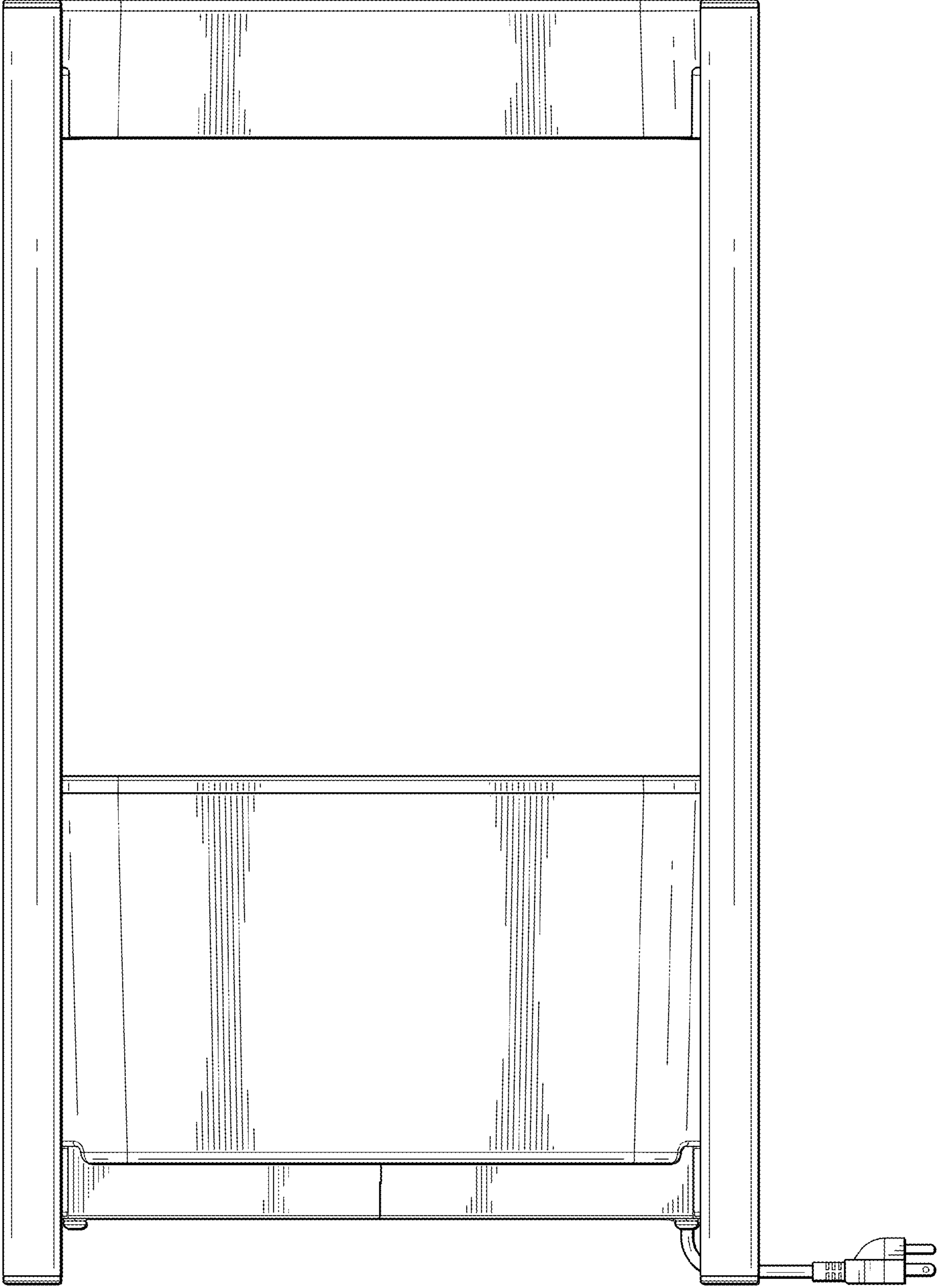


FIG. 4



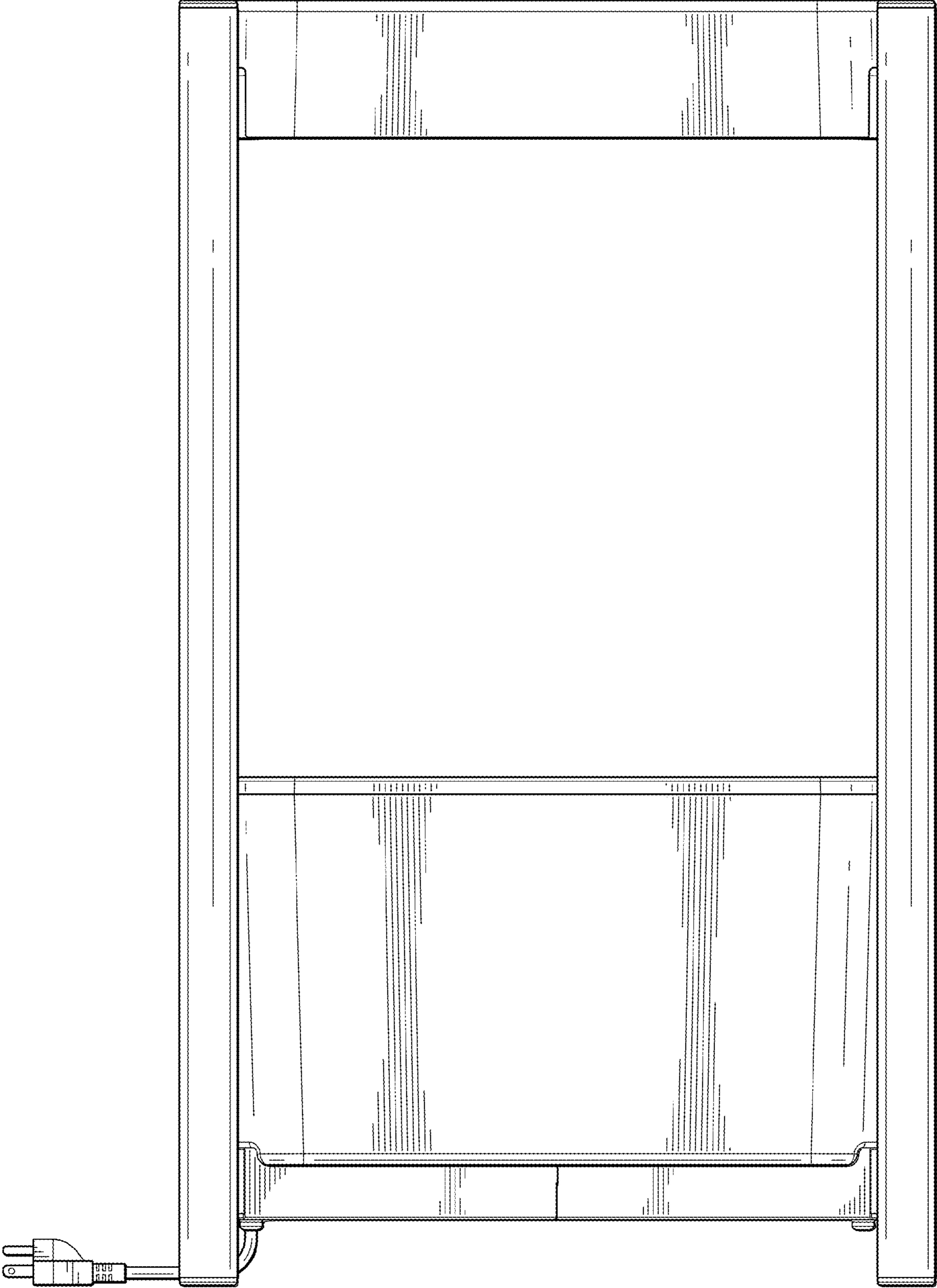


FIG. 5

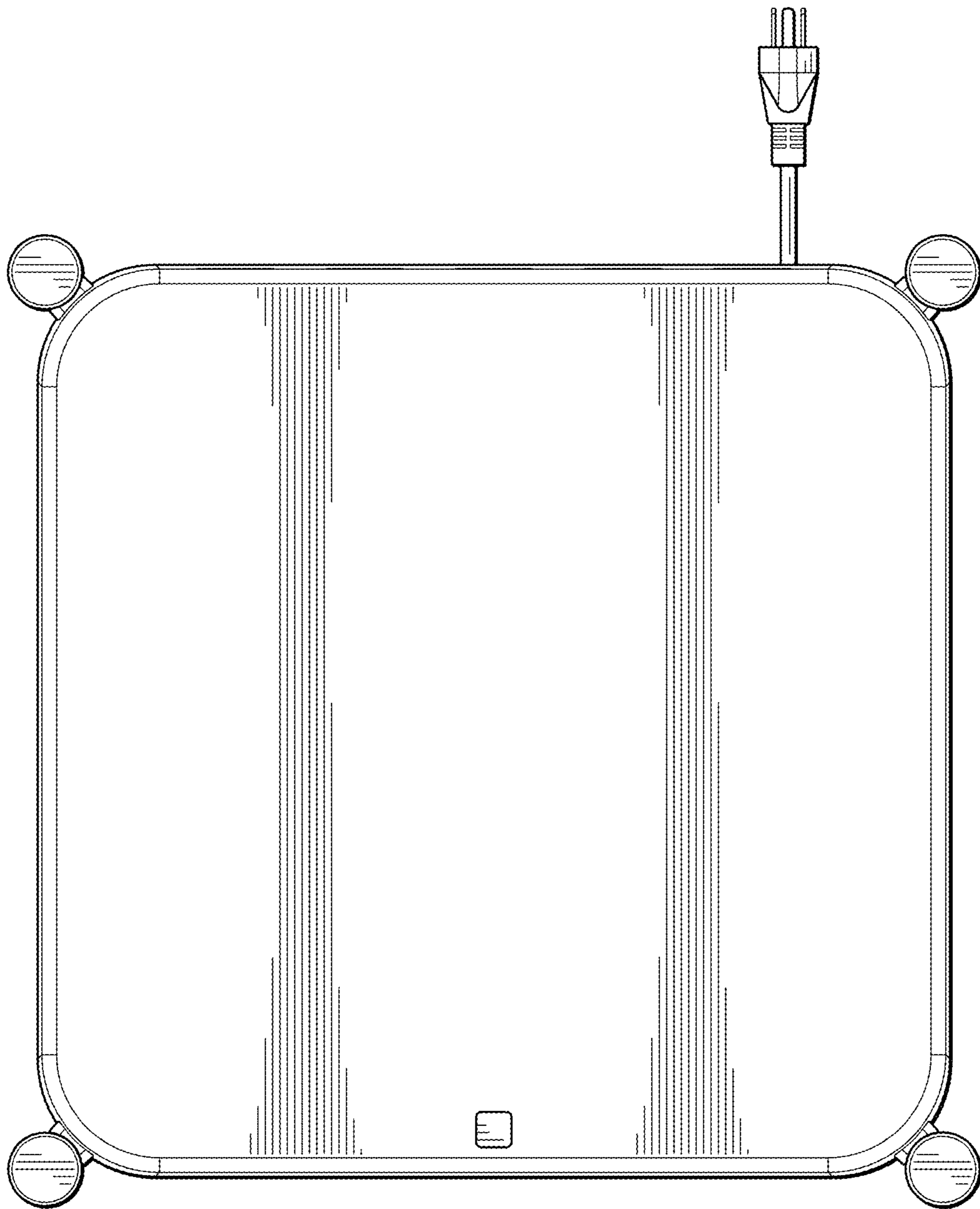


FIG. 6



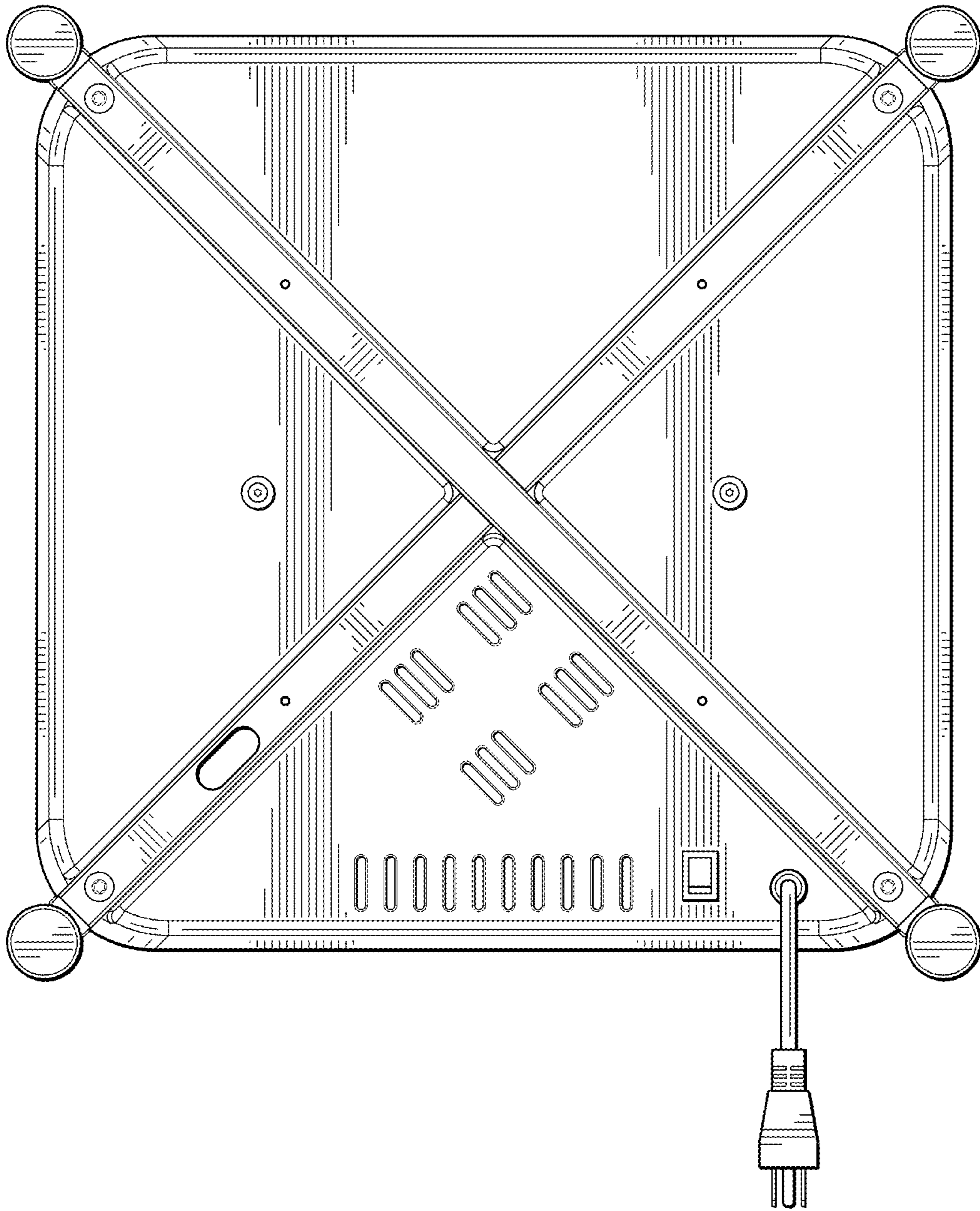


FIG. 7

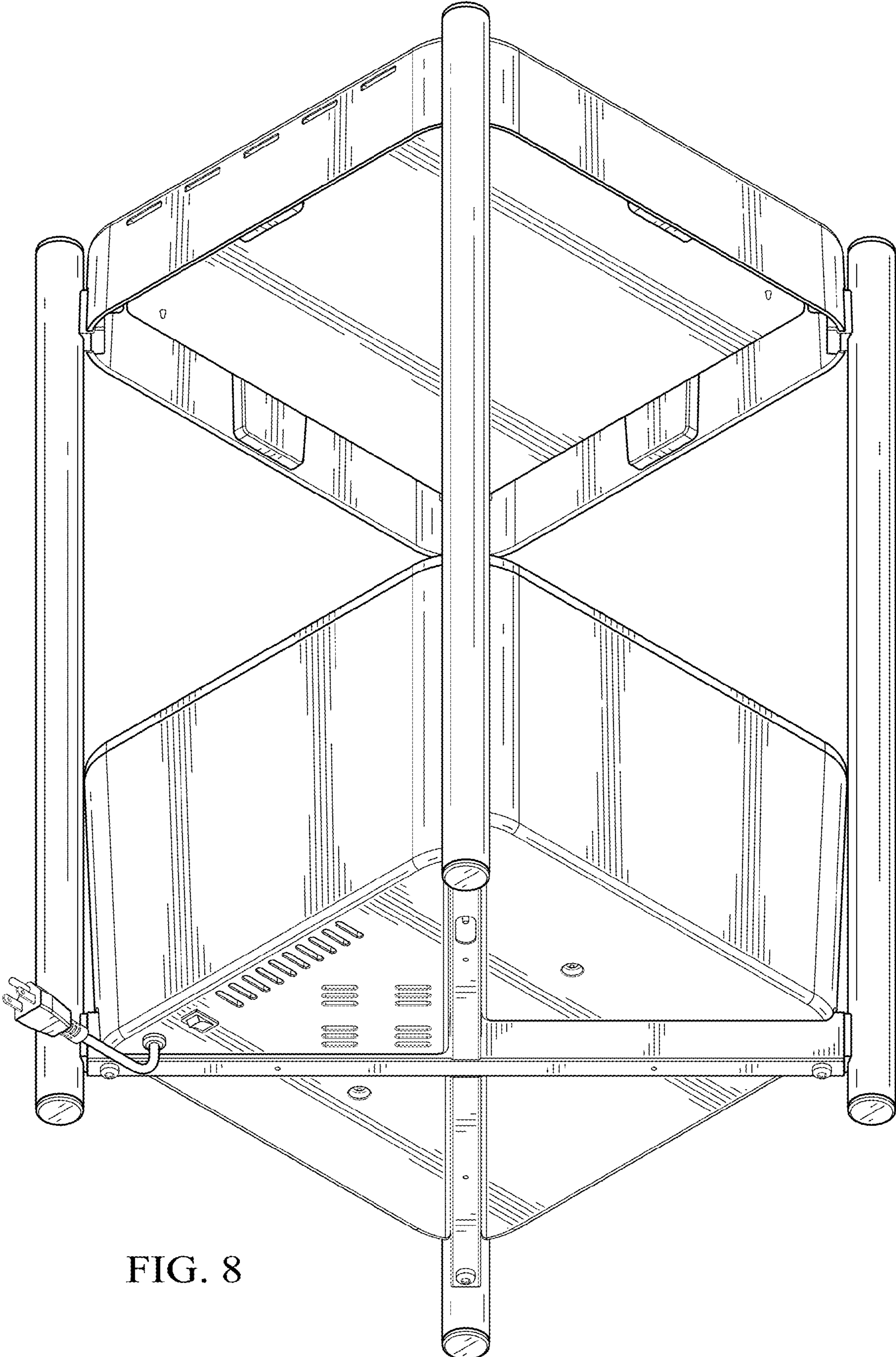


FIG. 8



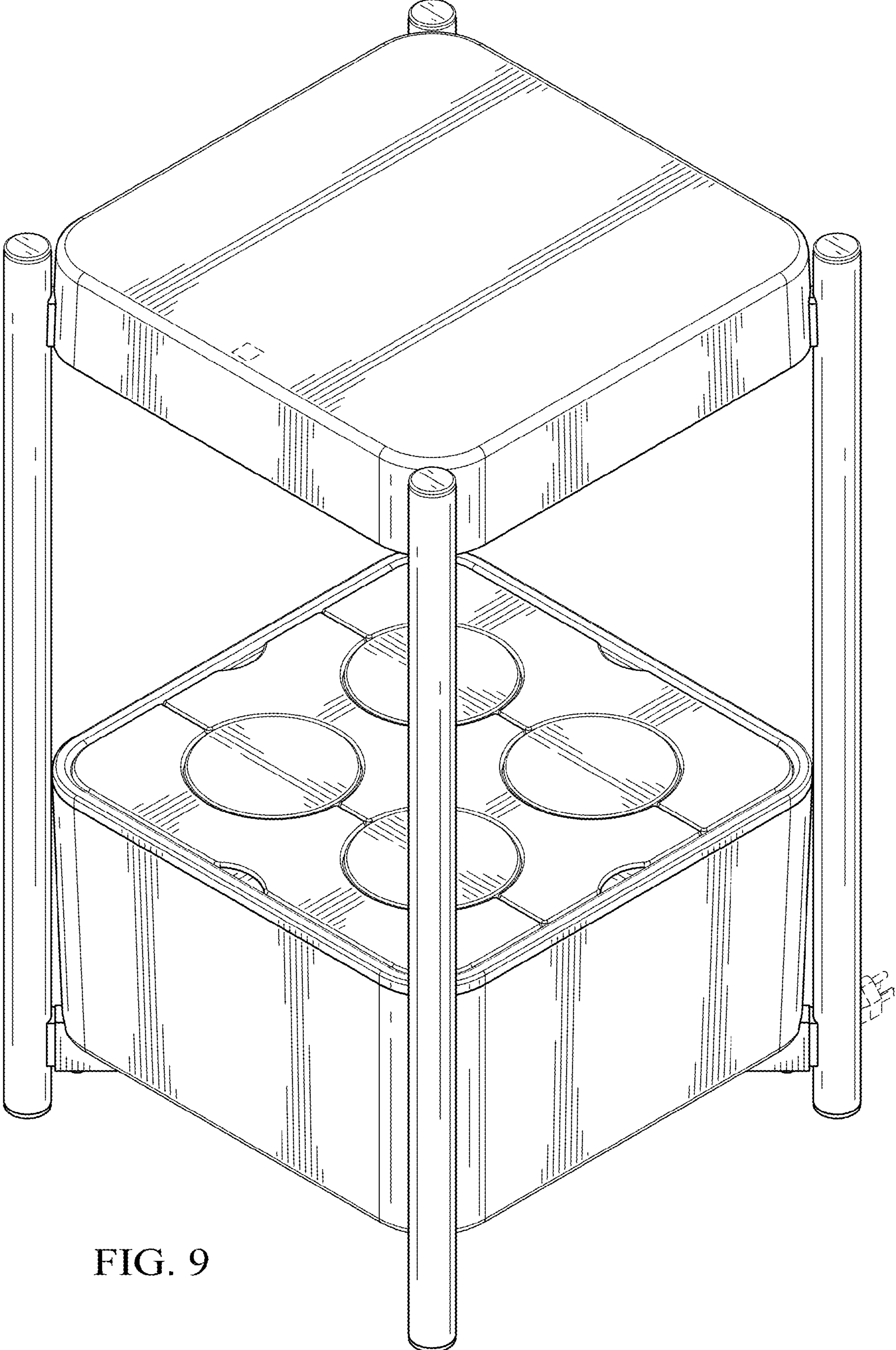


FIG. 9

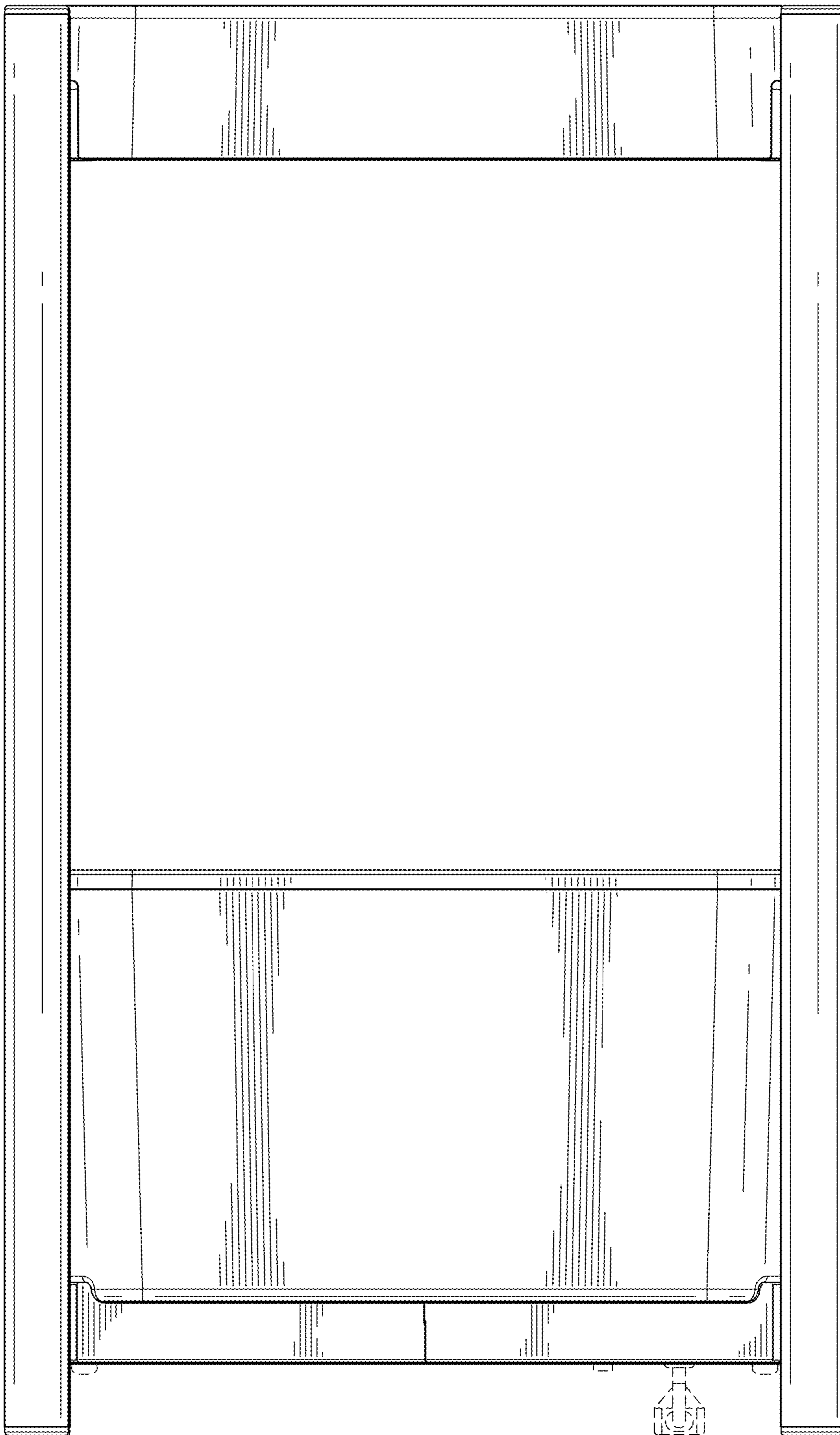


FIG. 10



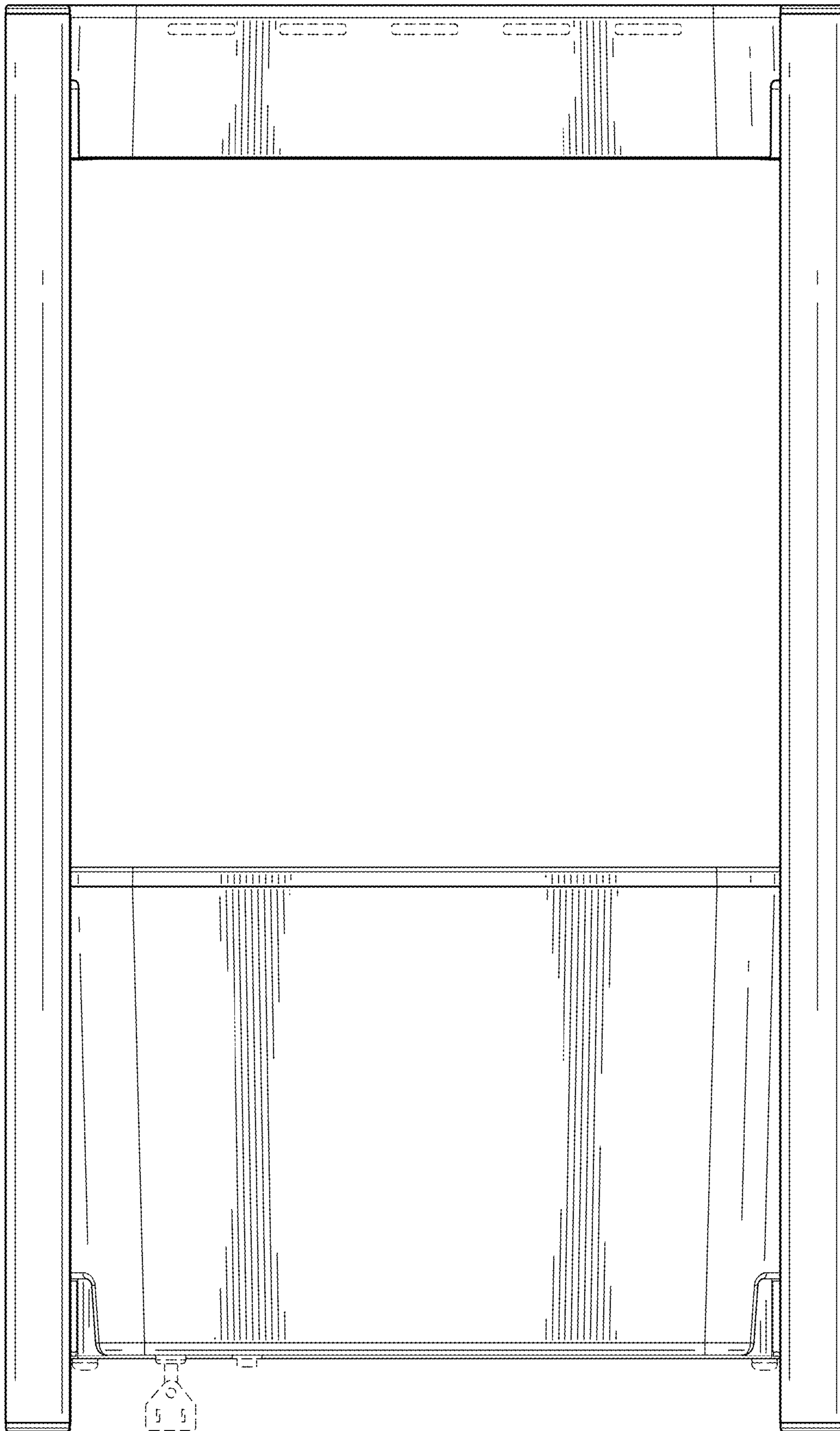


FIG. 11

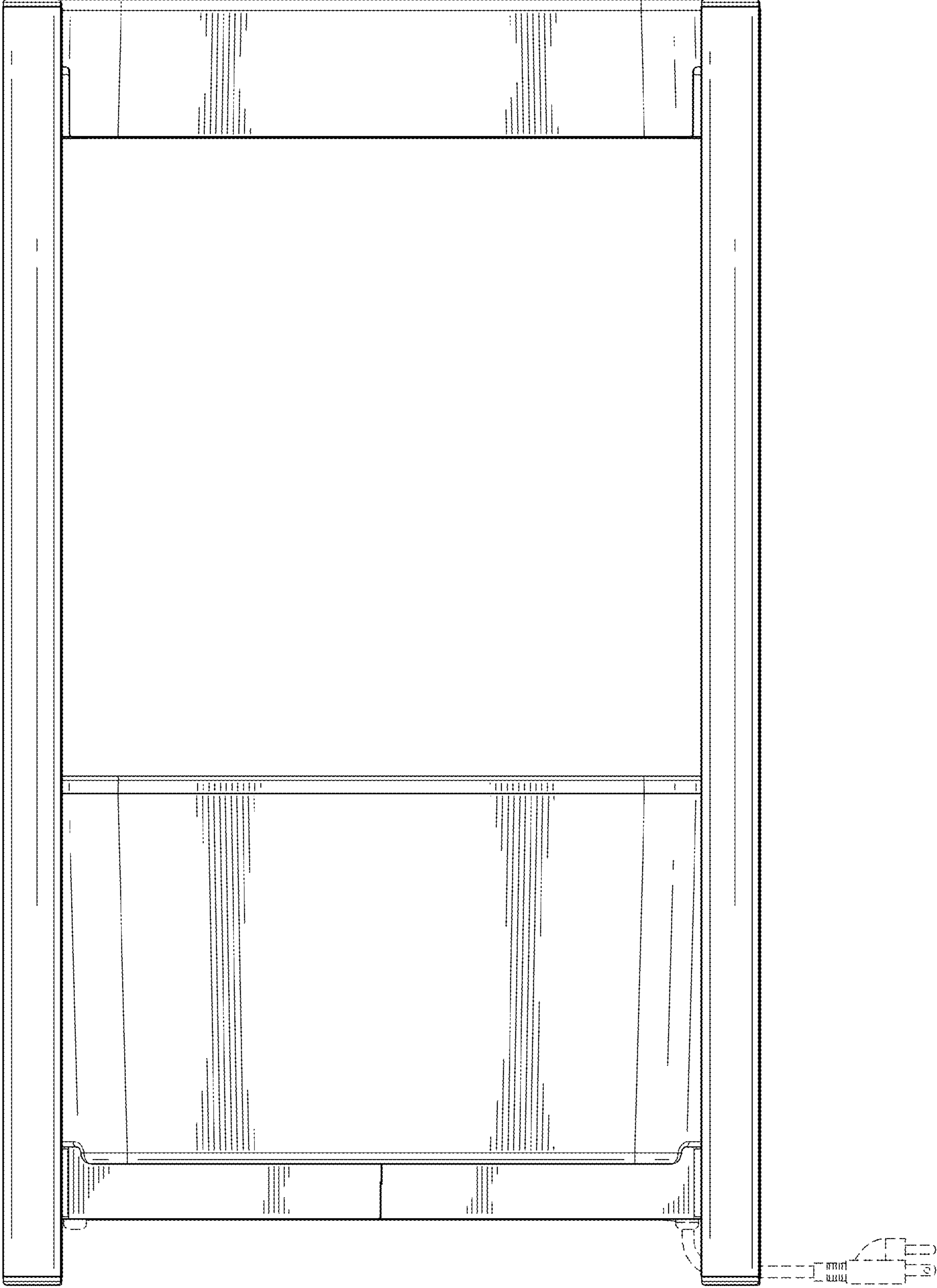


FIG. 12

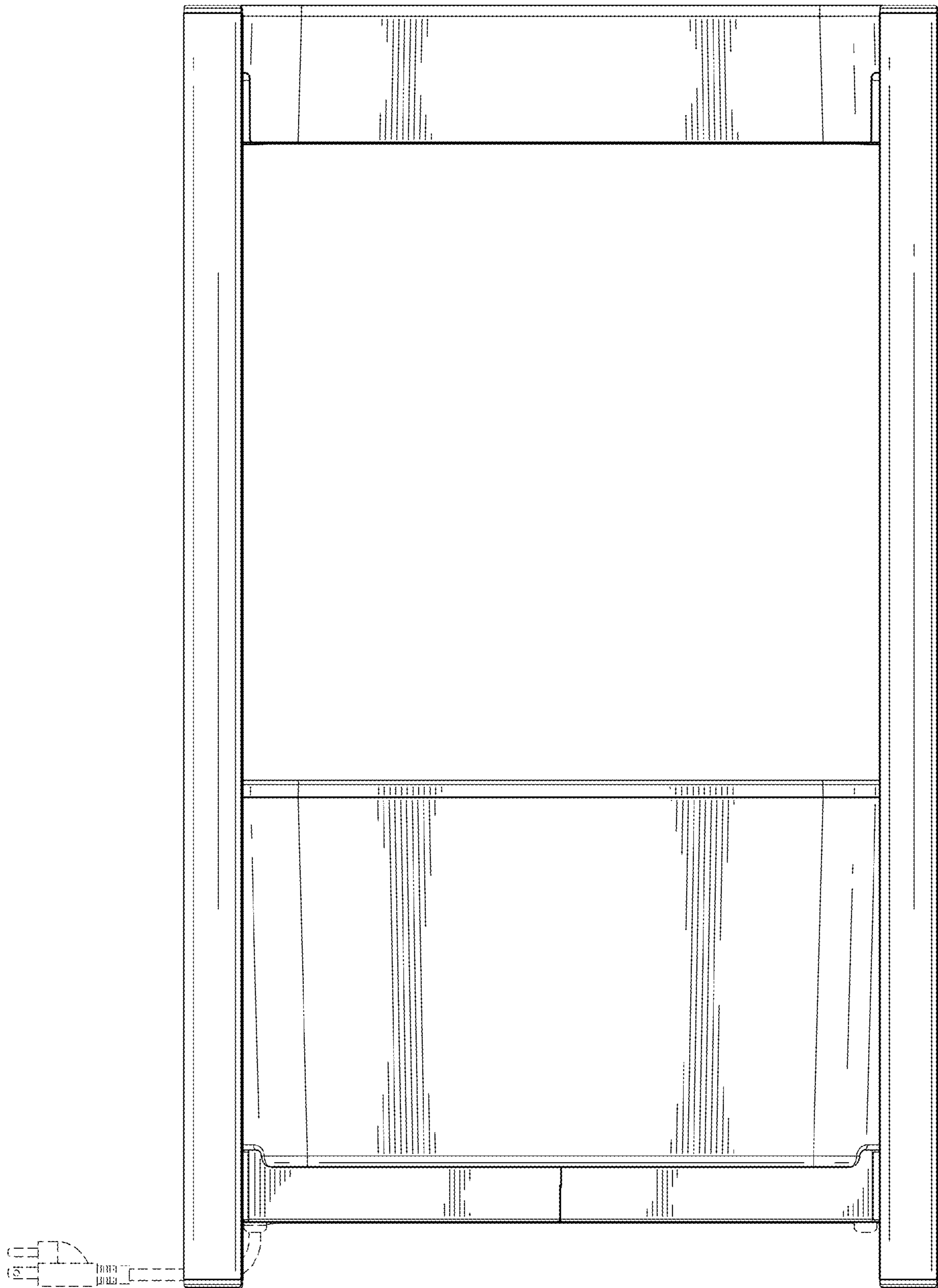


FIG. 13

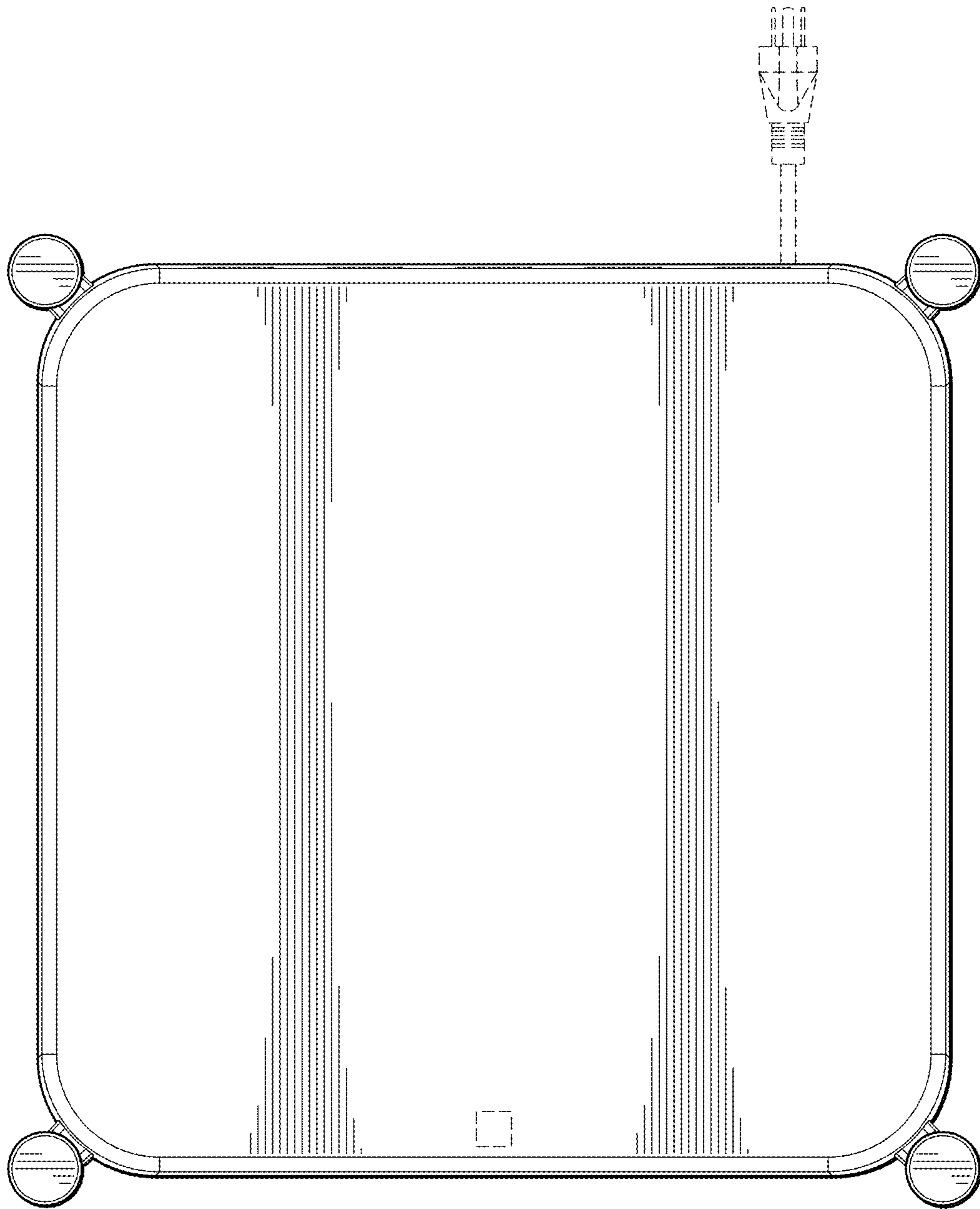


FIG. 14



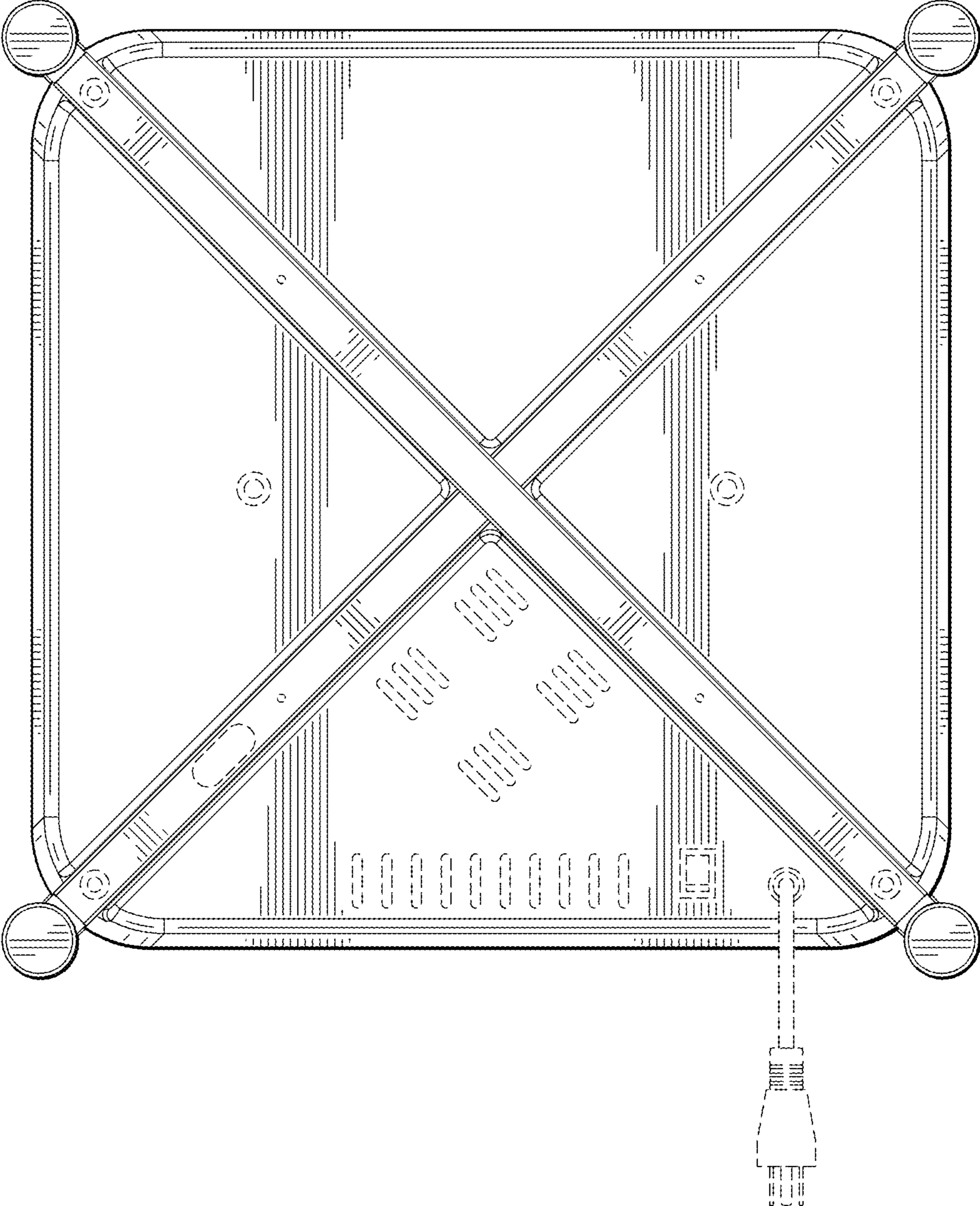


FIG. 15

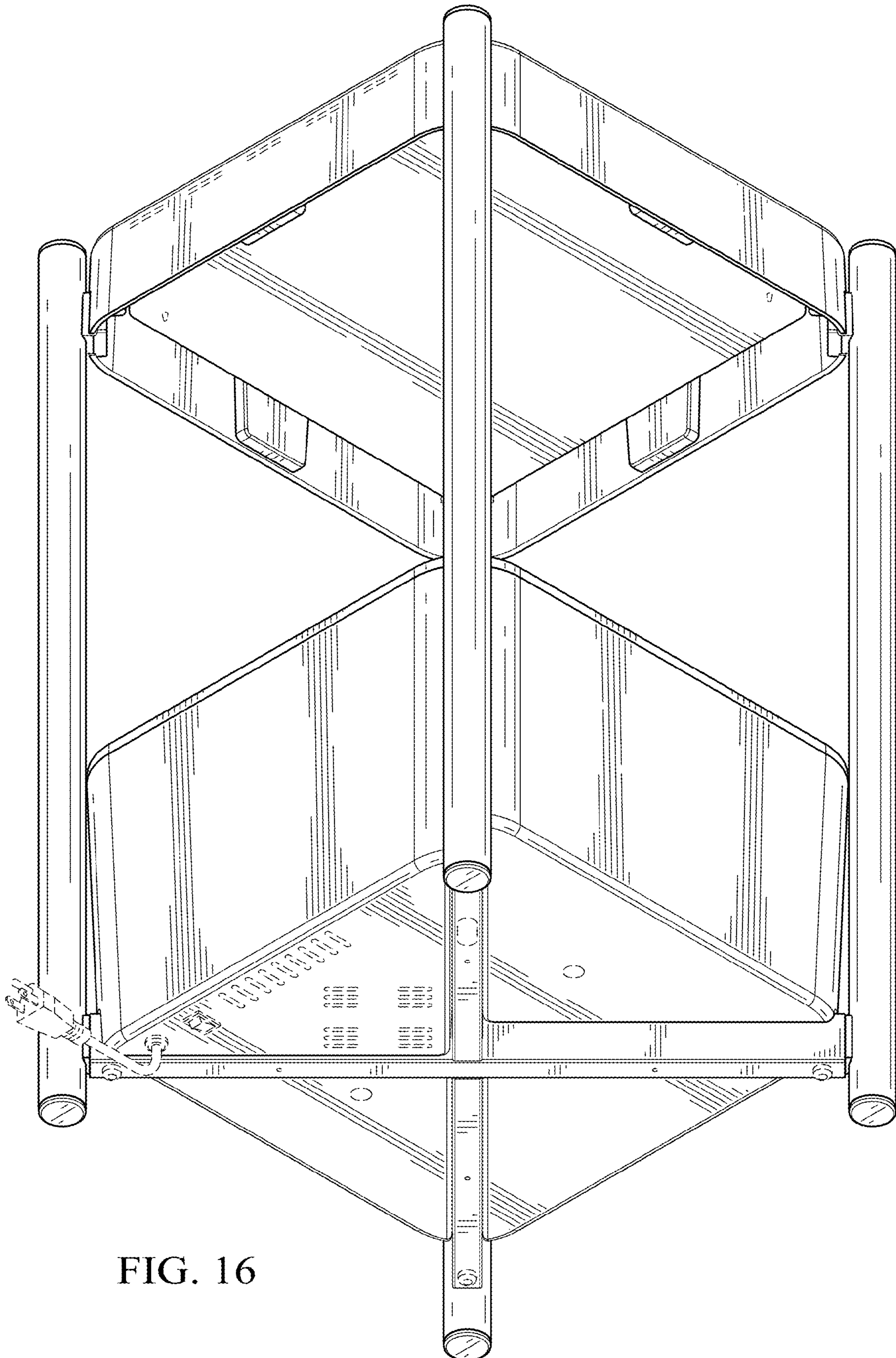


FIG. 16



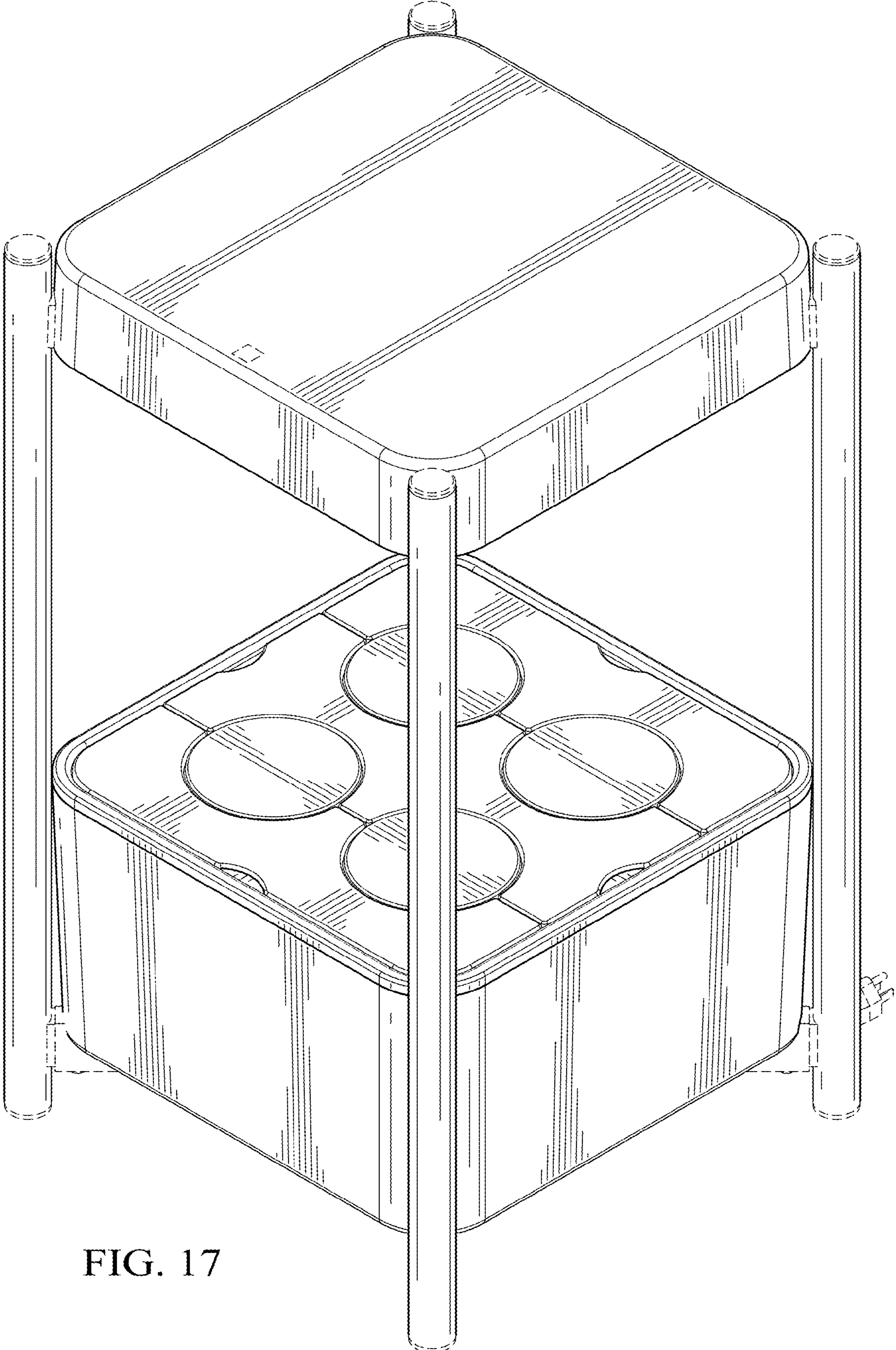


FIG. 17

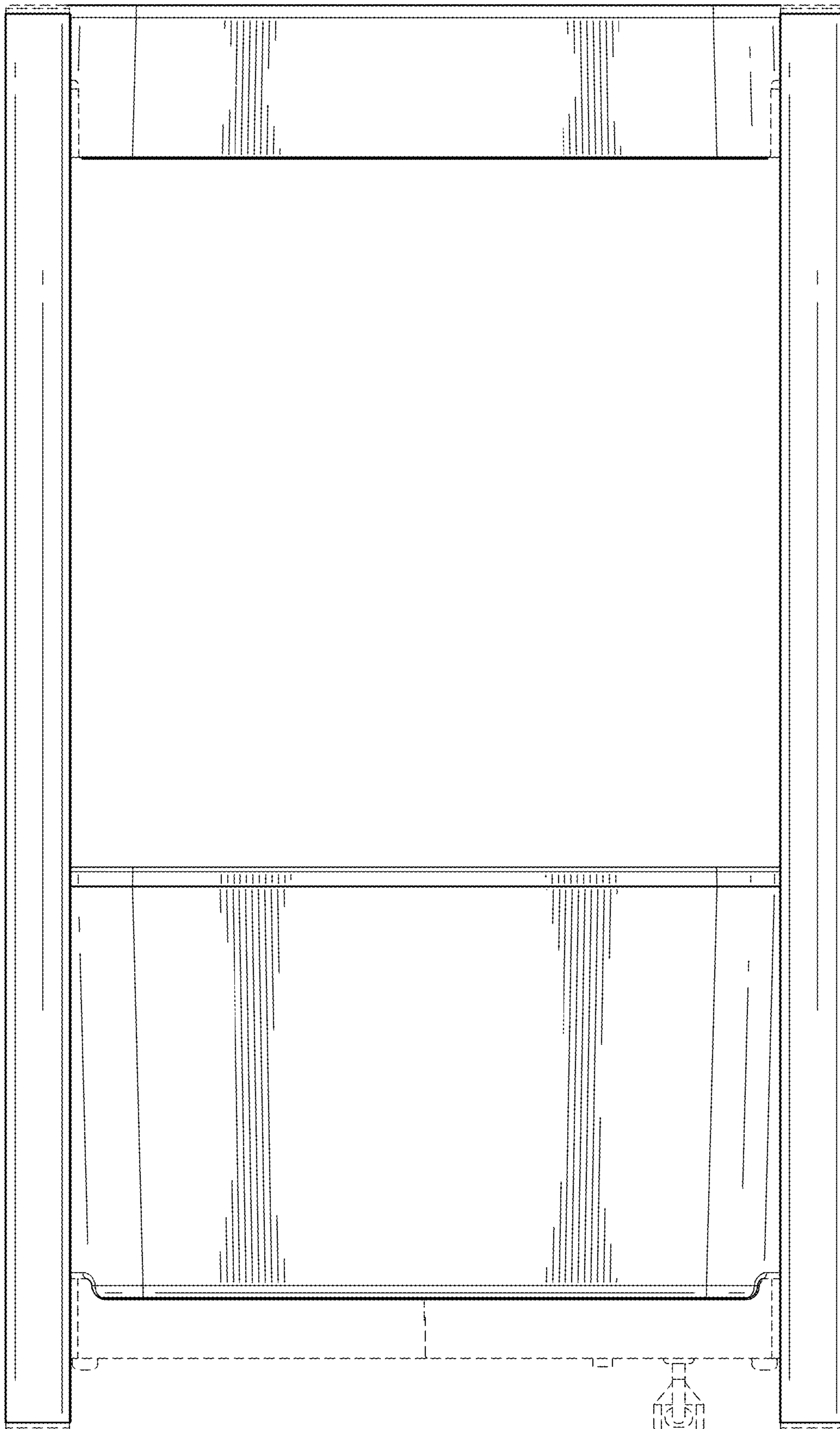


FIG. 18



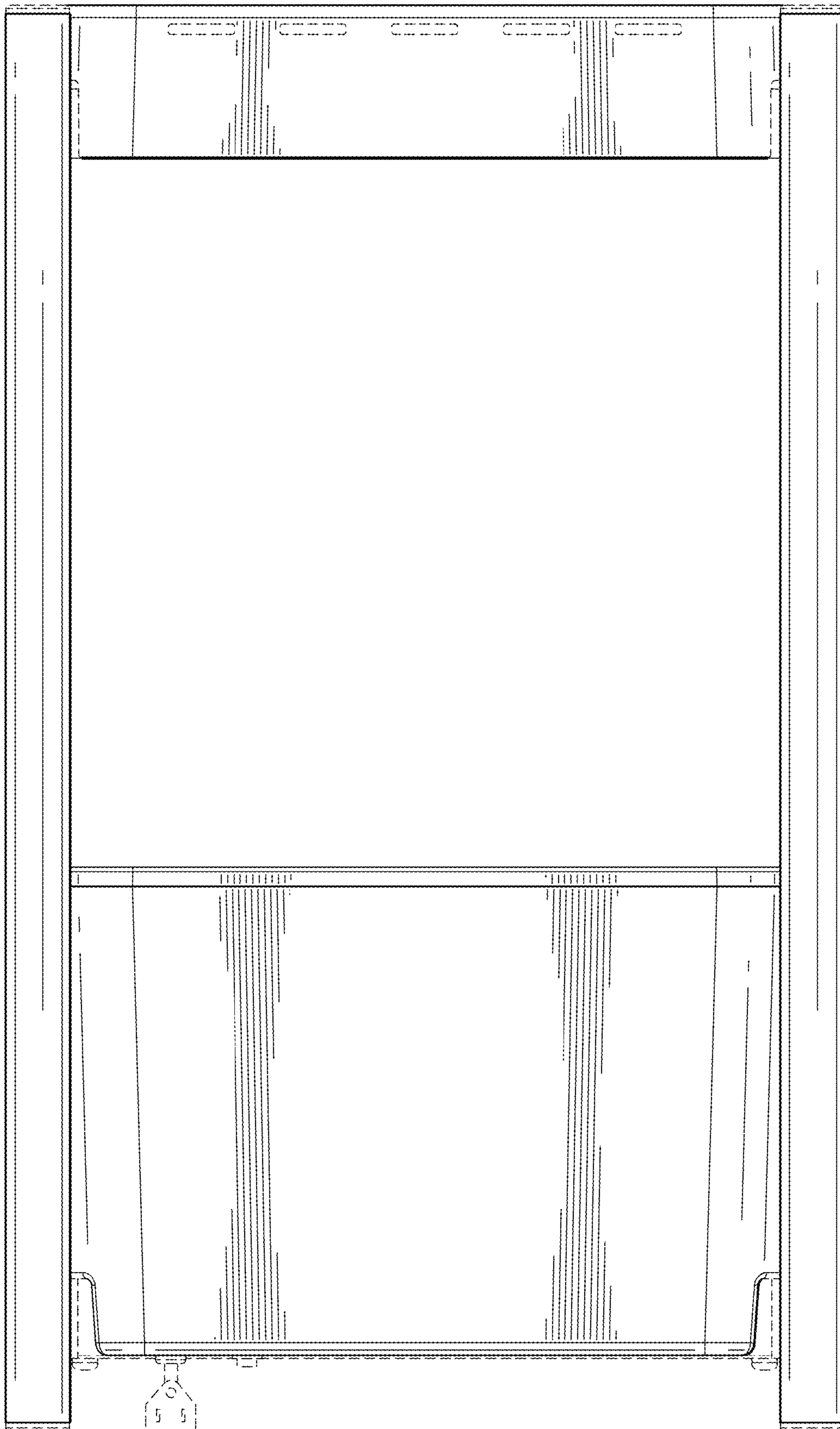


FIG. 19

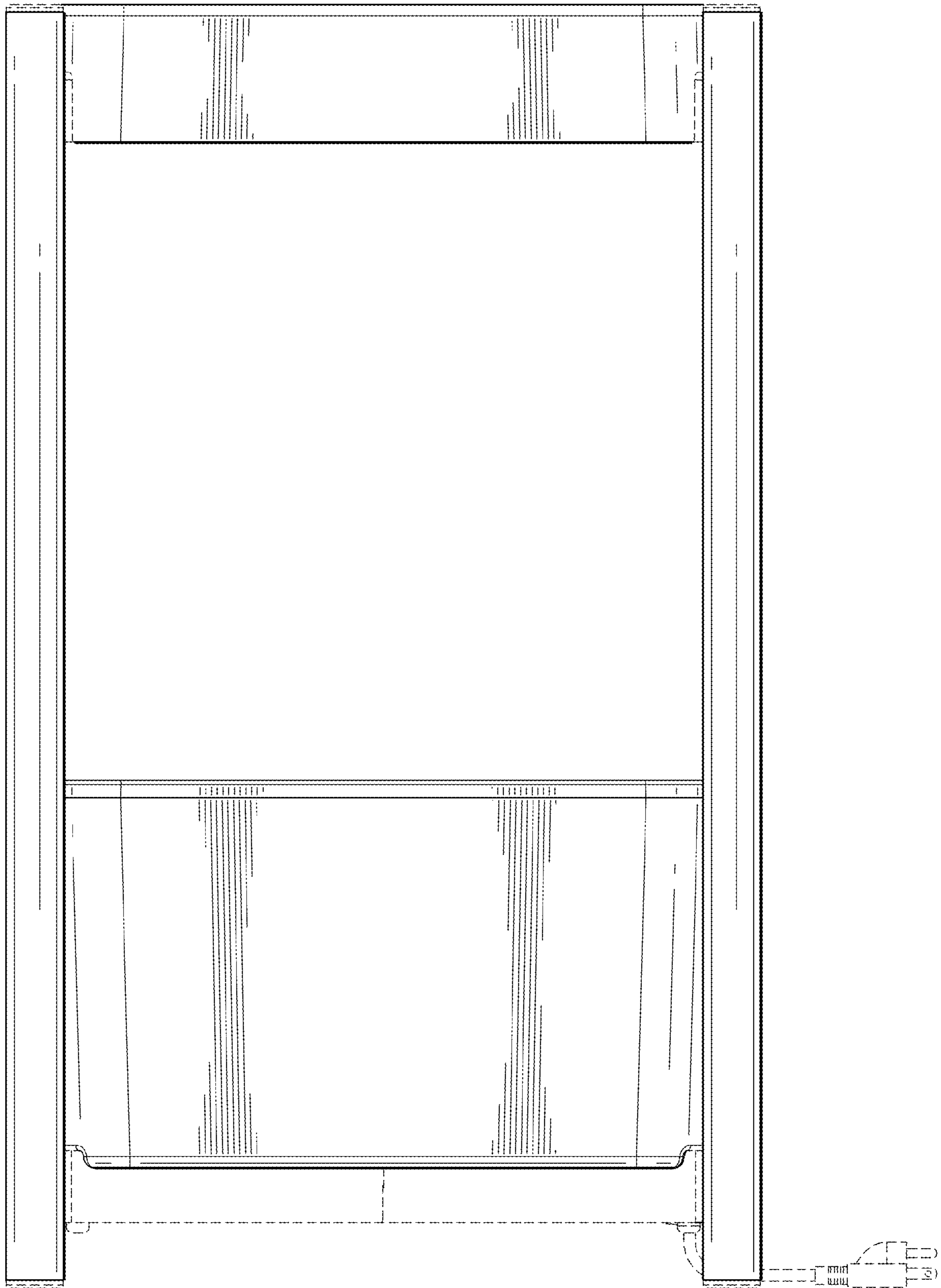


FIG. 20

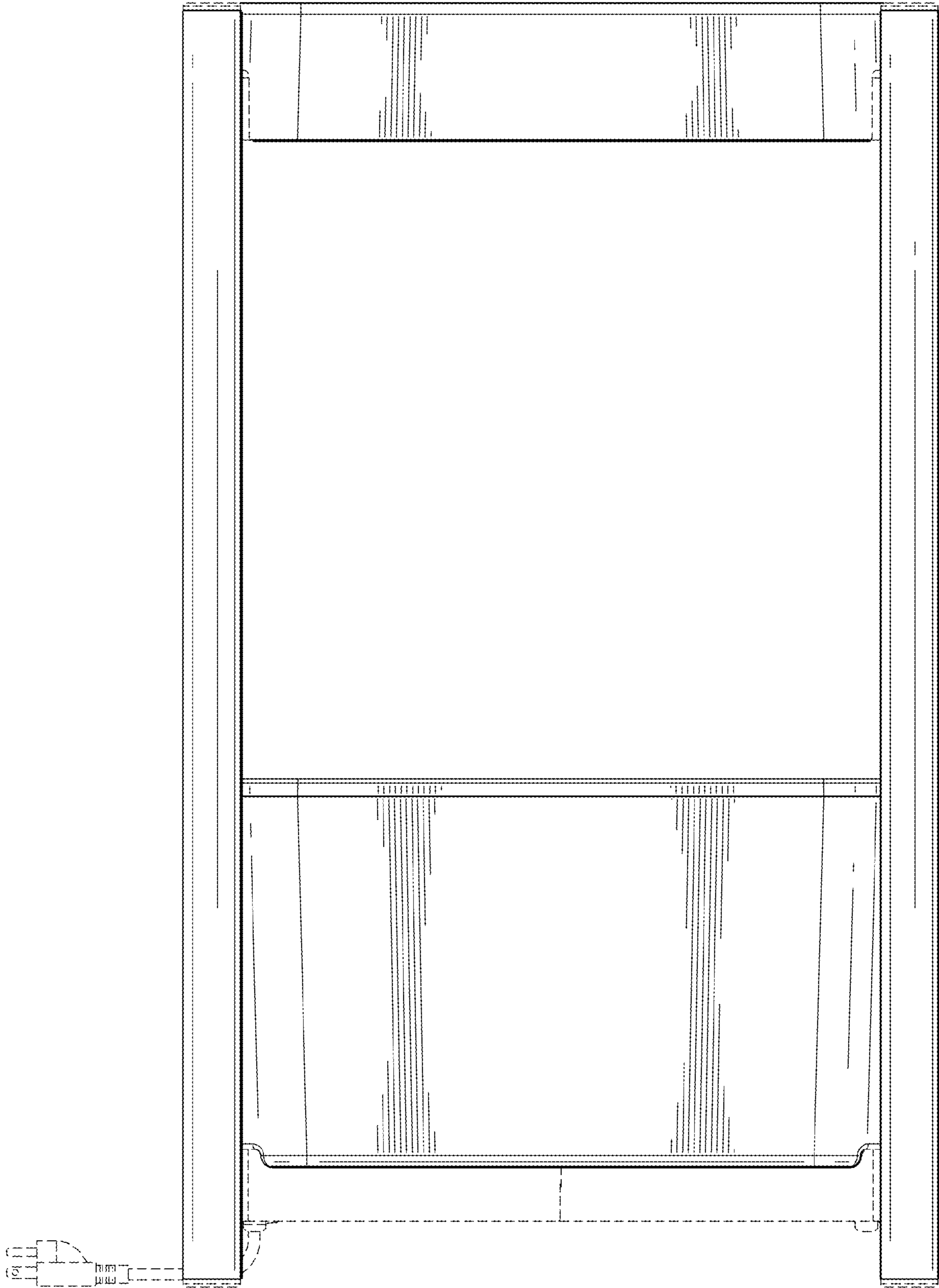


FIG. 21

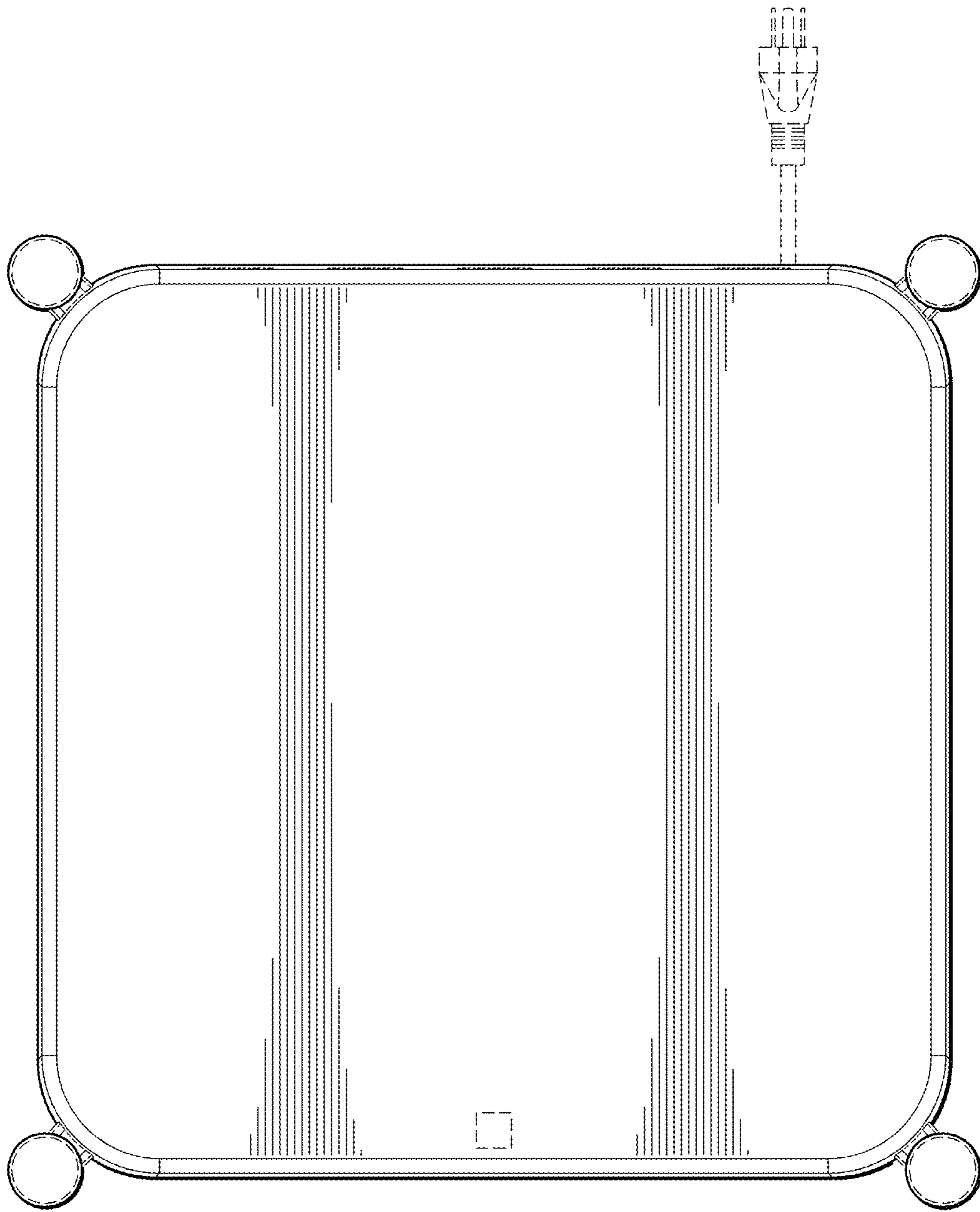


FIG. 22



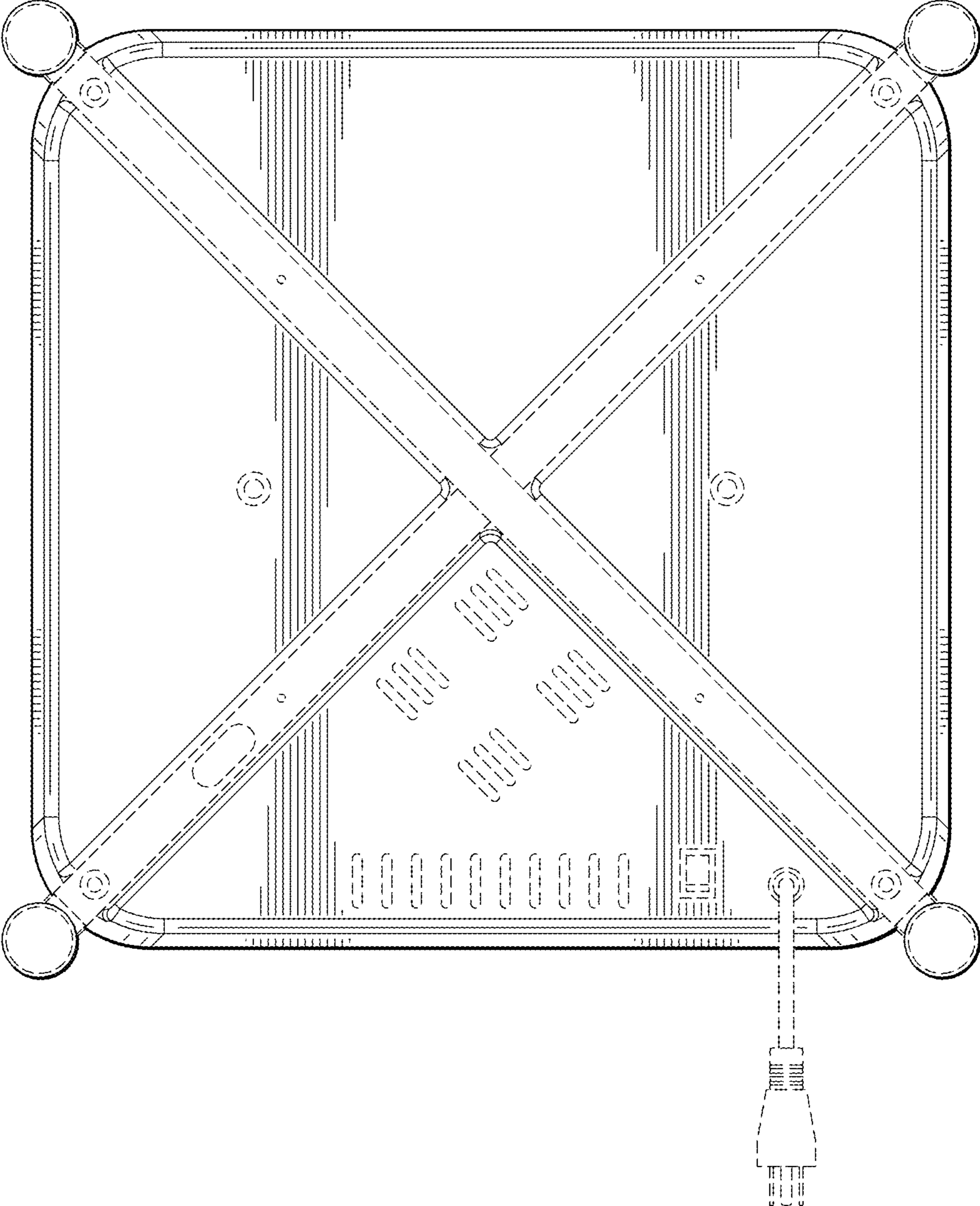


FIG. 23

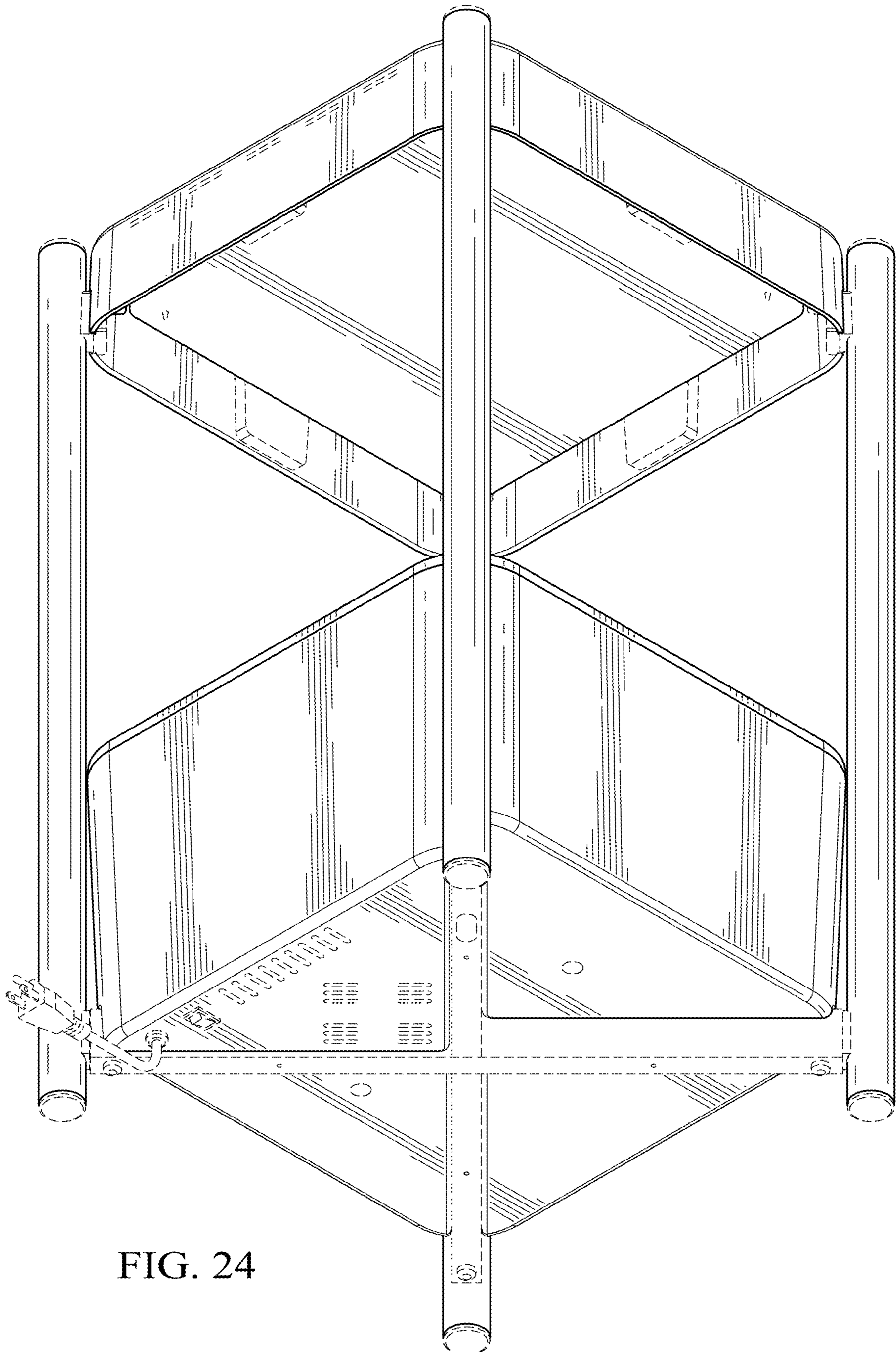


FIG. 24