



US00D899298S

(12) **United States Design Patent**
Fishman

(10) **Patent No.:** **US D899,298 S**
(45) **Date of Patent:** **** Oct. 20, 2020**

- (54) **PLANTER**
- (71) Applicant: **Nosson Fishman**, Lakewood, NJ (US)
- (72) Inventor: **Nosson Fishman**, Lakewood, NJ (US)
- (**) Term: **15 Years**
- (21) Appl. No.: **29/702,558**
- (22) Filed: **Aug. 20, 2019**

Related U.S. Application Data

- (63) Continuation-in-part of application No. 29/656,445, filed on Jul. 12, 2018, now Pat. No. Des. 864,017.
- (51) **LOC (12) Cl.** **11-02**
- (52) **U.S. Cl.**
USPC **D11/148**
- (58) **Field of Classification Search**
USPC D11/143-156, 164; D3/304, 313, 314;
D6/403, 404, 405, 556, 557, 558;
D7/357, 553.2, 553.3, 554.3, 554.4;
D9/433, 454, 455
CPC . A01G 5/04; A01G 9/02; A01G 9/021; A01G
9/022; A01G 9/027; A01G 9/028; A01G
9/029; A01G 9/0293; A01G 9/0295;
A01G 9/0297; A01G 9/0299; A01G 9/04;
A01G 9/042; A01G 9/045; A47G 7/00;
A47G 7/02; A47G 7/04; A47G 7/06;
A47G 7/08
See application file for complete search history.

(56) **References Cited**

U.S. PATENT DOCUMENTS

- 1,923,677 A * 8/1933 Lovett, Jr. A01G 23/04
47/74
- 2,079,177 A * 5/1937 Membrino B65D 3/12
229/93
- 2,580,879 A * 1/1952 Belokin, Jr. A47J 47/18
383/3
- D182,369 S * 3/1958 Marchesini et al. D32/53

- D277,646 S * 2/1985 Jorgensen D9/454
- D284,360 S * 6/1986 Pollitz D11/143
- D320,413 S * 10/1991 Dietterich D19/85
- 6,422,455 B1 * 7/2002 Cahill B31C 3/04
206/524.8
- D484,404 S * 12/2003 Porzio D9/723
- D484,435 S * 12/2003 Kimball D11/164
- D536,172 S * 2/2007 Baez D3/304
- D602,694 S * 10/2009 Alvarez D3/315
- D641,655 S * 7/2011 Hawkinson D11/144
- 8,167,165 B1 * 5/2012 Peterson A47J 41/0061
220/739
- D663,217 S * 7/2012 Bodkin D9/617
- D693,686 S * 11/2013 Rosenberg D9/503
- D694,472 S * 11/2013 Farrell D28/76
- D698,641 S * 2/2014 Theisen D9/418
- D702,590 S * 4/2014 Moniz D11/144
- D722,113 S * 2/2015 Knight D20/8

(Continued)

Primary Examiner — Elizabeth A. Albert
(74) *Attorney, Agent, or Firm* — William G. Heedy; The
Van Winkle Law Firm

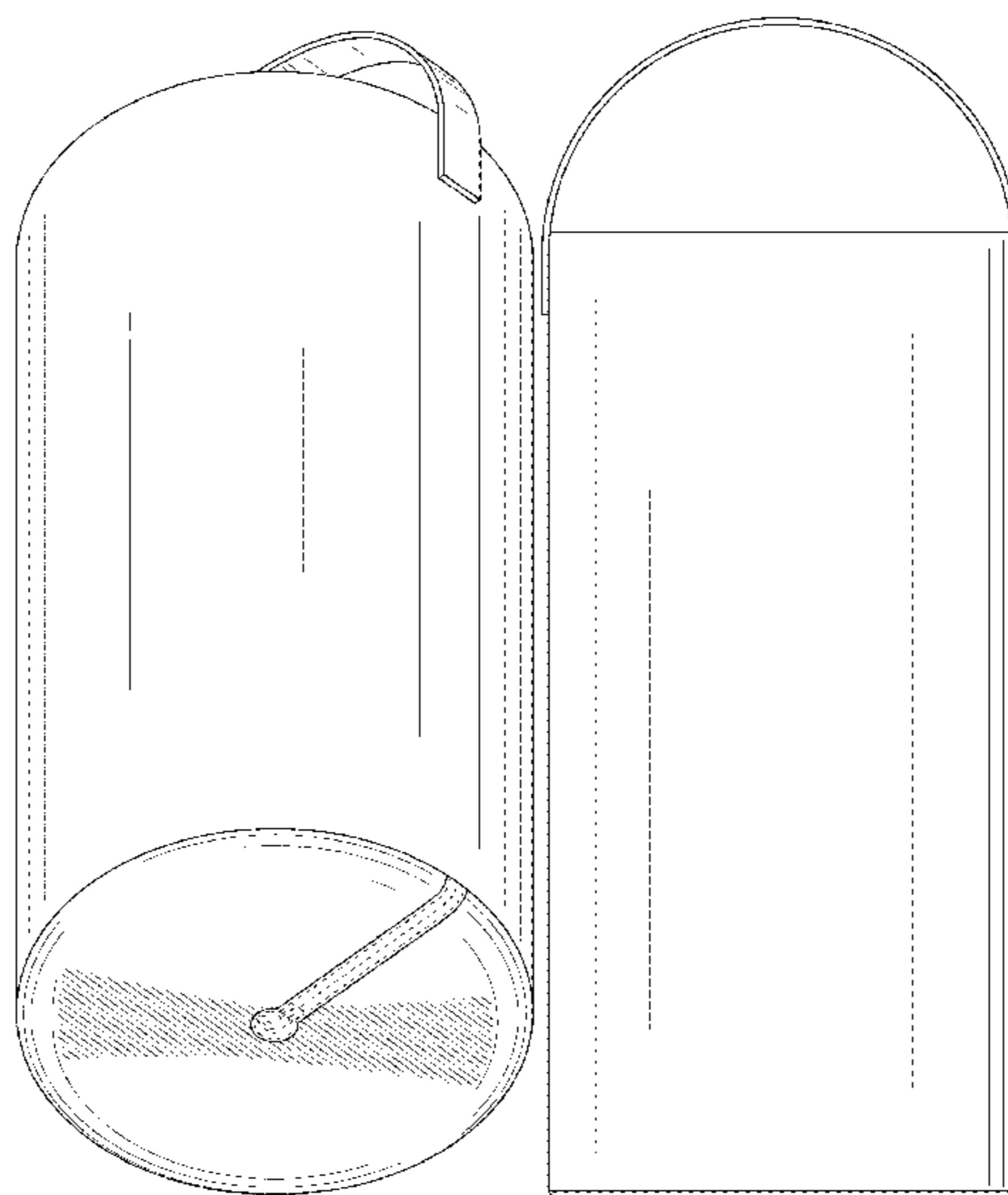
(57) **CLAIM**

The ornamental design for a planter, as shown and described.

DESCRIPTION

FIG. 1 is a perspective view of a planter showing my new design;
FIG. 2 is a perspective view thereof;
FIG. 3 is a front elevational view thereof, which is identical to the rear elevational view;
FIG. 4 is a right side elevational view thereof;
FIG. 5 is a left side elevational view thereof;
FIG. 6 is a top plan view thereof; and,
FIG. 7 is a bottom plan view thereof.
The broken lines are included to show portions of the planter that form no part of the claimed design.

1 Claim, 7 Drawing Sheets



(56)

References Cited

U.S. PATENT DOCUMENTS

9,198,529 B2 * 12/2015 Kramer A47G 7/08
D761,509 S * 7/2016 Cohen D32/37
10,231,384 B2 * 3/2019 Edwards A47G 7/063
D853,725 S * 7/2019 Soto-Camacho D3/304
D855,055 S * 7/2019 Chou D14/433
D864,018 S * 10/2019 Fishman D11/148
2002/0074256 A1 * 6/2002 Koeman B65D 85/505
206/423
2003/0041514 A1 * 3/2003 Hazeltine A01M 7/0089
47/58.1 SC
2005/0150162 A1 * 7/2005 Usherovich F25B 21/02
47/66.6
2011/0126454 A1 * 6/2011 Sperzel A01G 9/024
47/65.8
2017/0172071 A1 * 6/2017 Shaffer A01G 13/0243

* cited by examiner

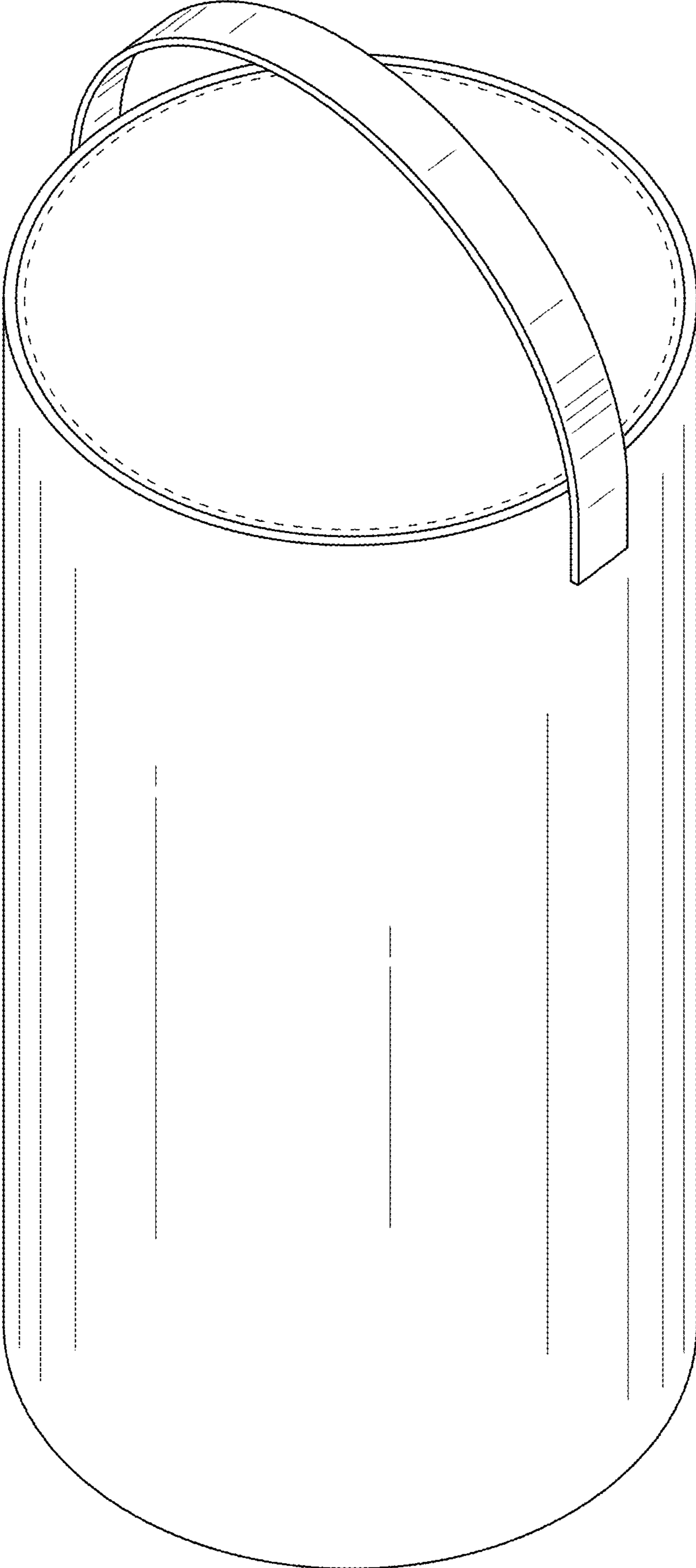


FIG. 1

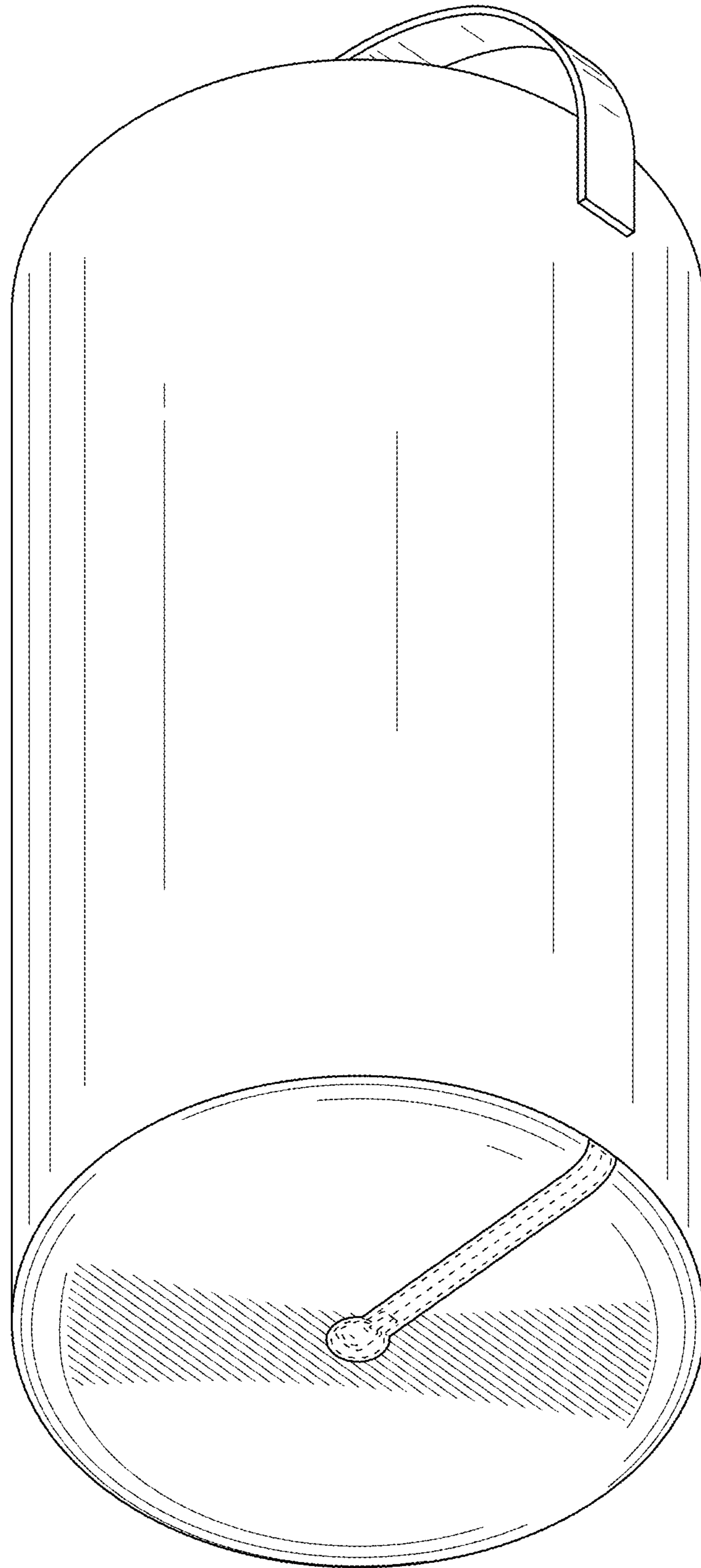


FIG. 2

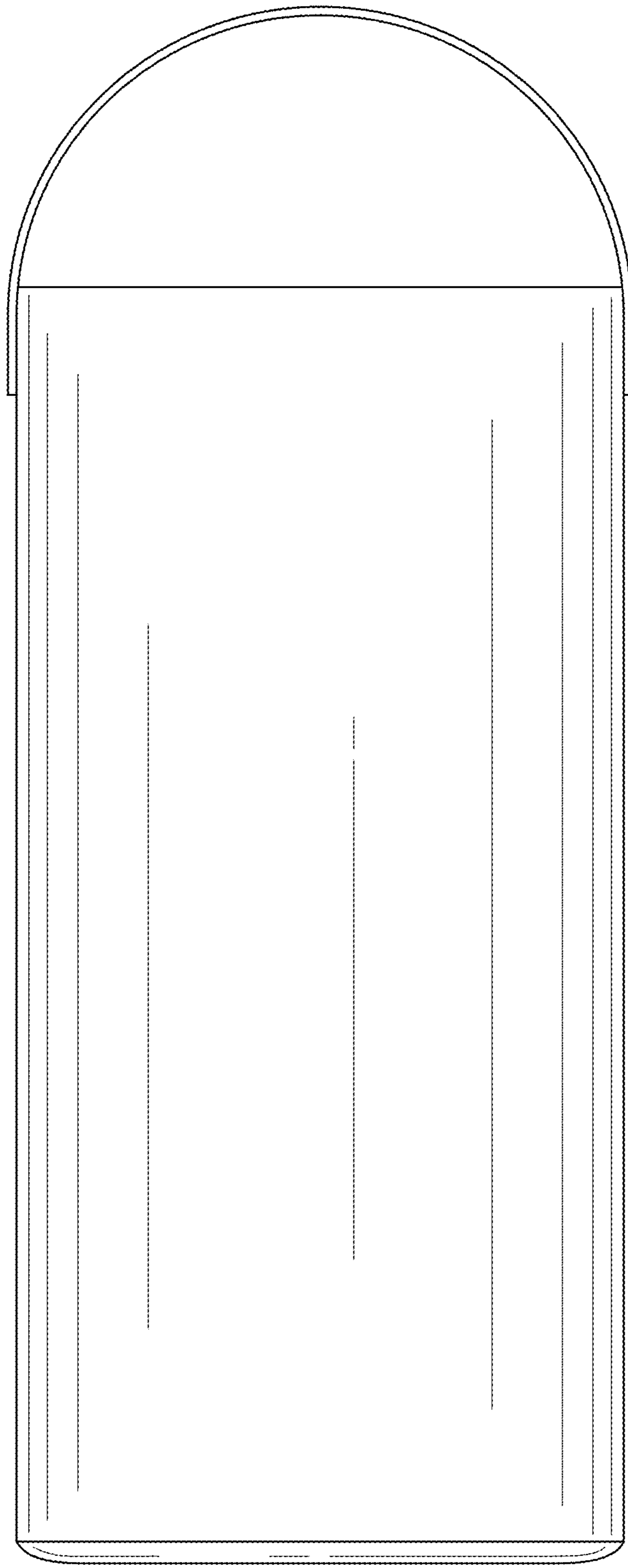


FIG. 3

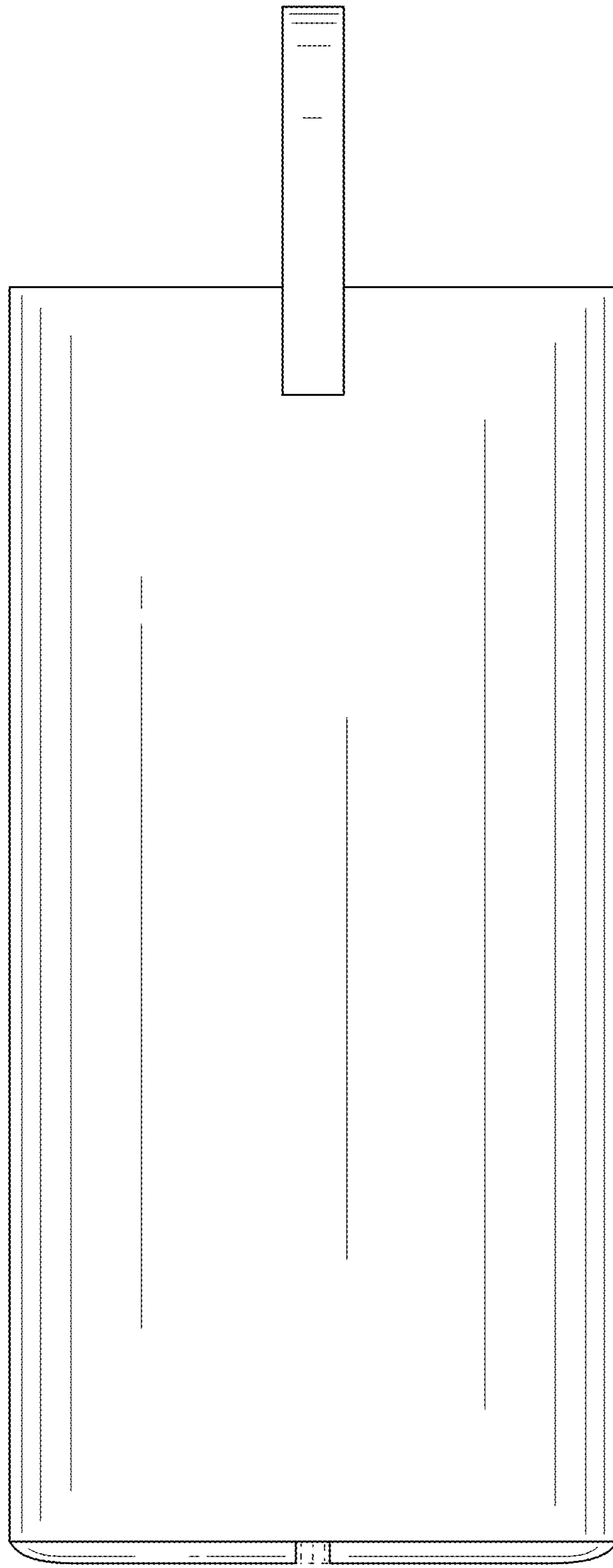


FIG. 4

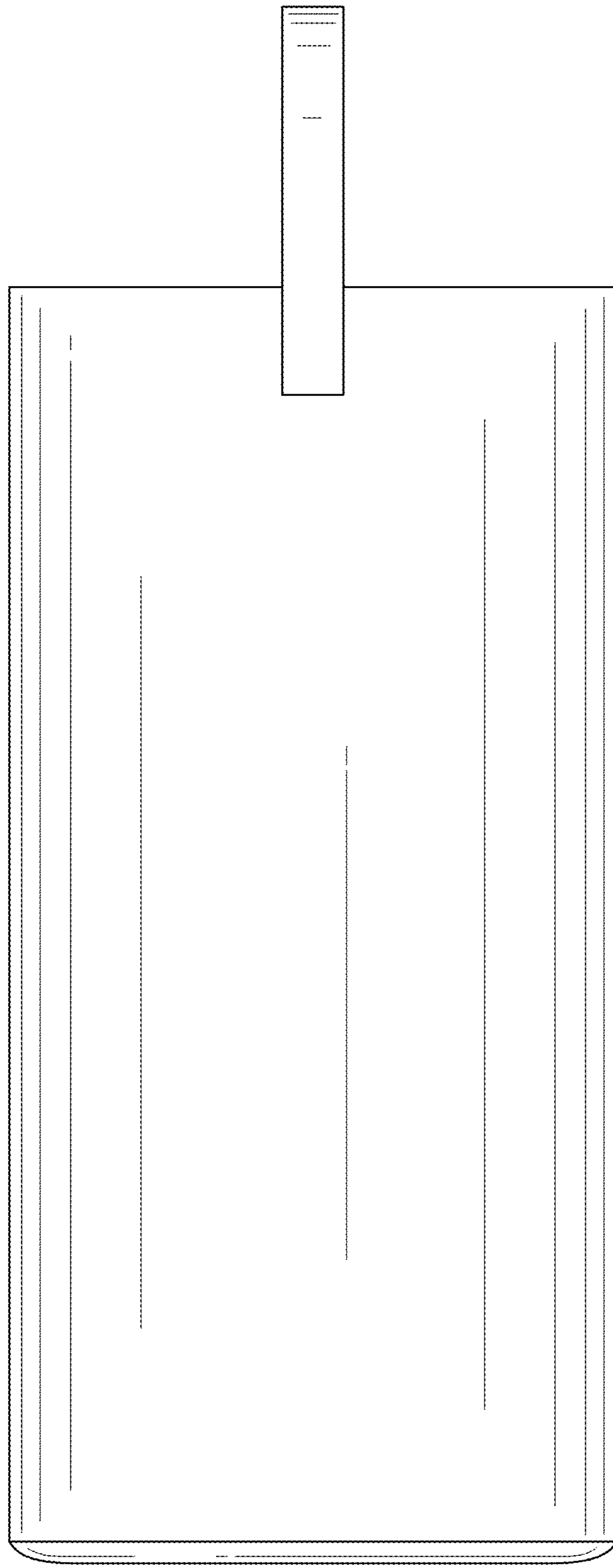


FIG. 5

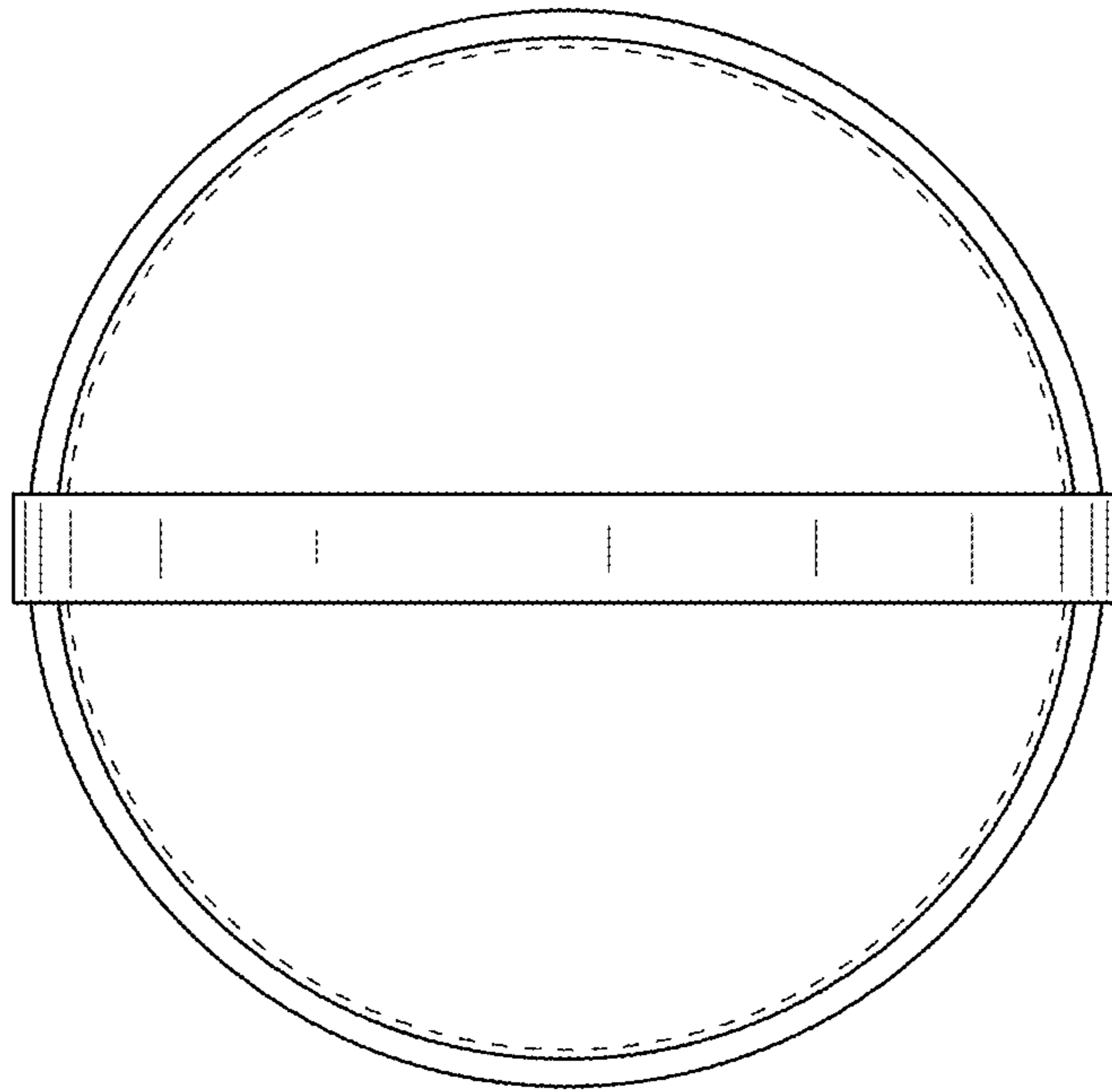


FIG. 6

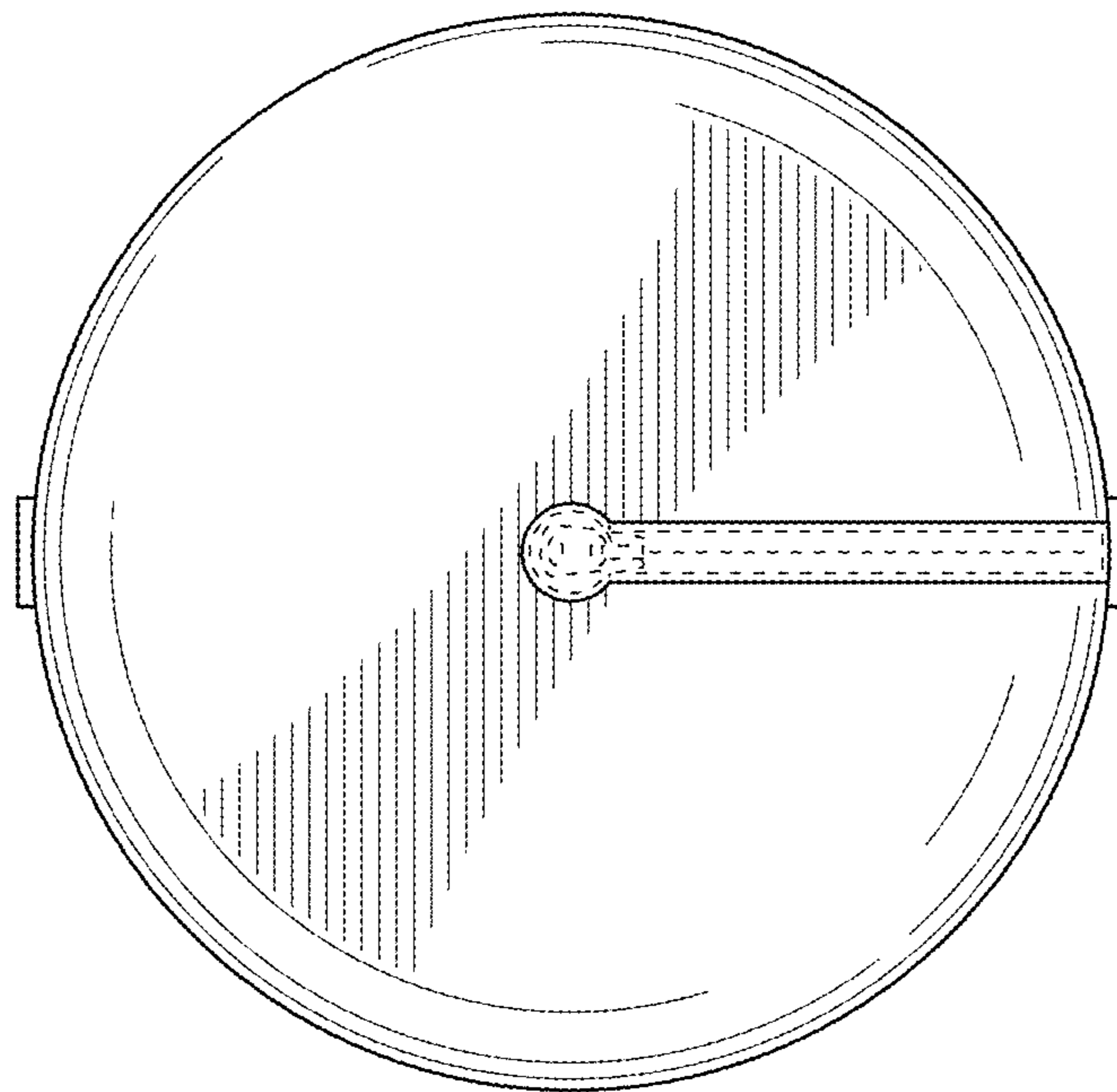


FIG. 7