



US00D899293S

(12) **United States Design Patent**
Sivriere

(10) **Patent No.:** **US D899,293 S**

(45) **Date of Patent:** **** Oct. 20, 2020**

(54) **DECORATIVE ELEMENT FOR JEWELRY**

(71) Applicant: **Richemont International SA,**
Villars-sur-Glane (CH)

(72) Inventor: **Stephanie Sivriere,** Geneva (CH)

(73) Assignee: **Richemont International SA,**
Villars-sur-Glane (CH)

(**) Term: **15 Years**

(21) Appl. No.: **29/692,114**

(22) Filed: **May 22, 2019**

(51) **LOC (12) Cl.** **11-01**

(52) **U.S. Cl.**
USPC **D11/86**

(58) **Field of Classification Search**
USPC D11/1-2, 7, 40-44, 46-49, 53, 56, 57,
D11/59-61, 63, 65, 79-83, 86-87, 89-90,
D11/91-92, 99, 101, 106, 114-116,
D11/200-201

CPC A44C 5/102; A44C 27/006; A44C 15/003;
A44C 15/0045; A44C 7/003; A44C
17/02; A44C 17/04

See application file for complete search history.

(56) **References Cited**

U.S. PATENT DOCUMENTS

D257,023 S * 9/1980 Barr D11/43
D273,473 S * 4/1984 Carroll D11/76
4,551,993 A * 11/1985 Nagahori A44C 11/007
63/23

D337,741 S * 7/1993 Garfalo D11/40
D489,640 S * 5/2004 Chia D11/93
D501,424 S * 2/2005 Chia D11/93
D505,645 S * 5/2005 Pacheco D11/86
D510,712 S * 10/2005 Chia D11/93
7,552,600 B2 * 6/2009 Fields A44C 15/005
63/3
D723,410 S * 3/2015 Kwon D11/3
D753,534 S * 4/2016 Worrall-Poole D11/86
D867,920 S * 11/2019 O'Connell D11/86
10,595,598 B2 * 3/2020 De Los Santos A44C 5/00

* cited by examiner

Primary Examiner — Zenia I Bennett

(74) *Attorney, Agent, or Firm* — Taft Stettinius &
Hollister LLP

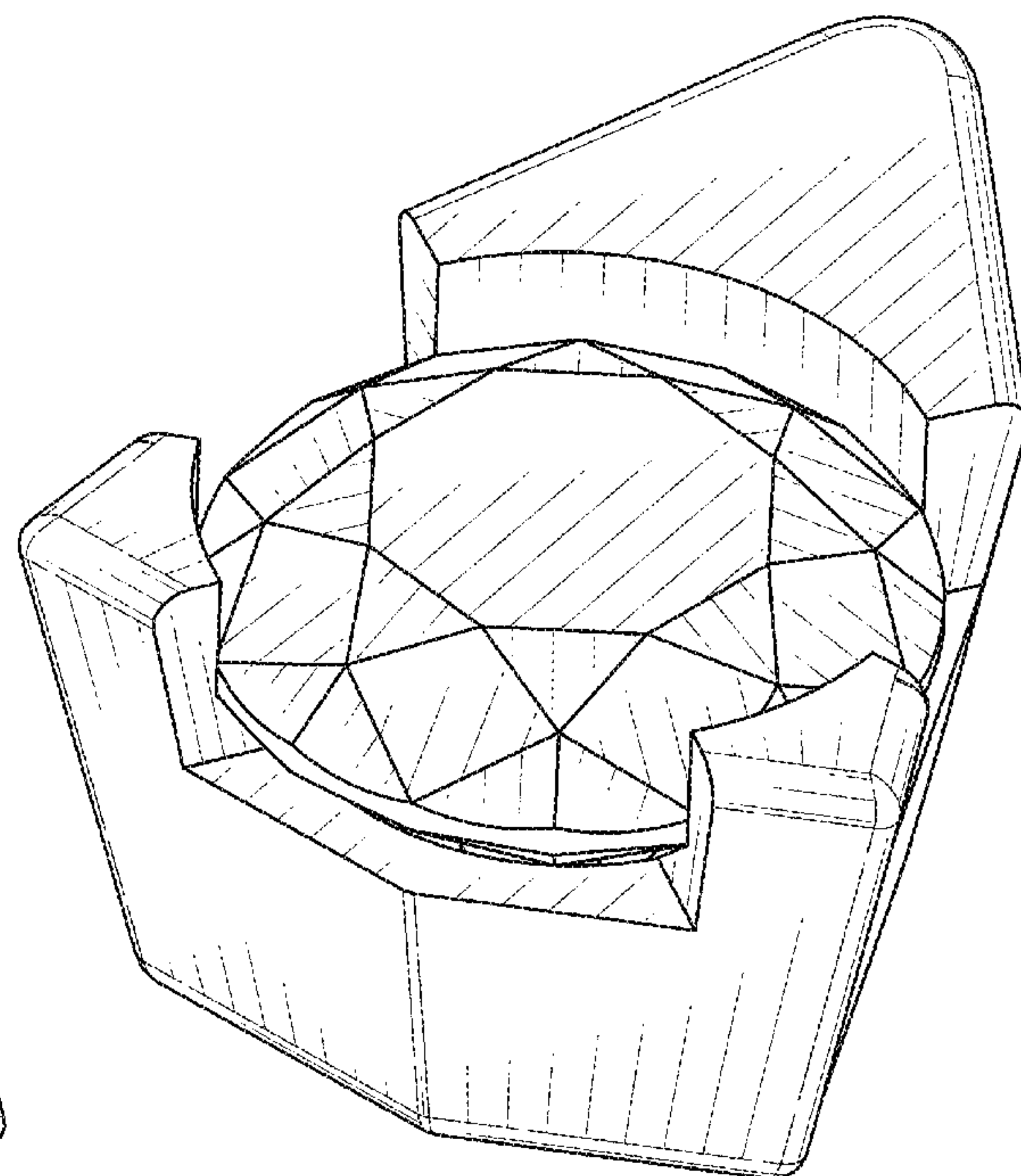
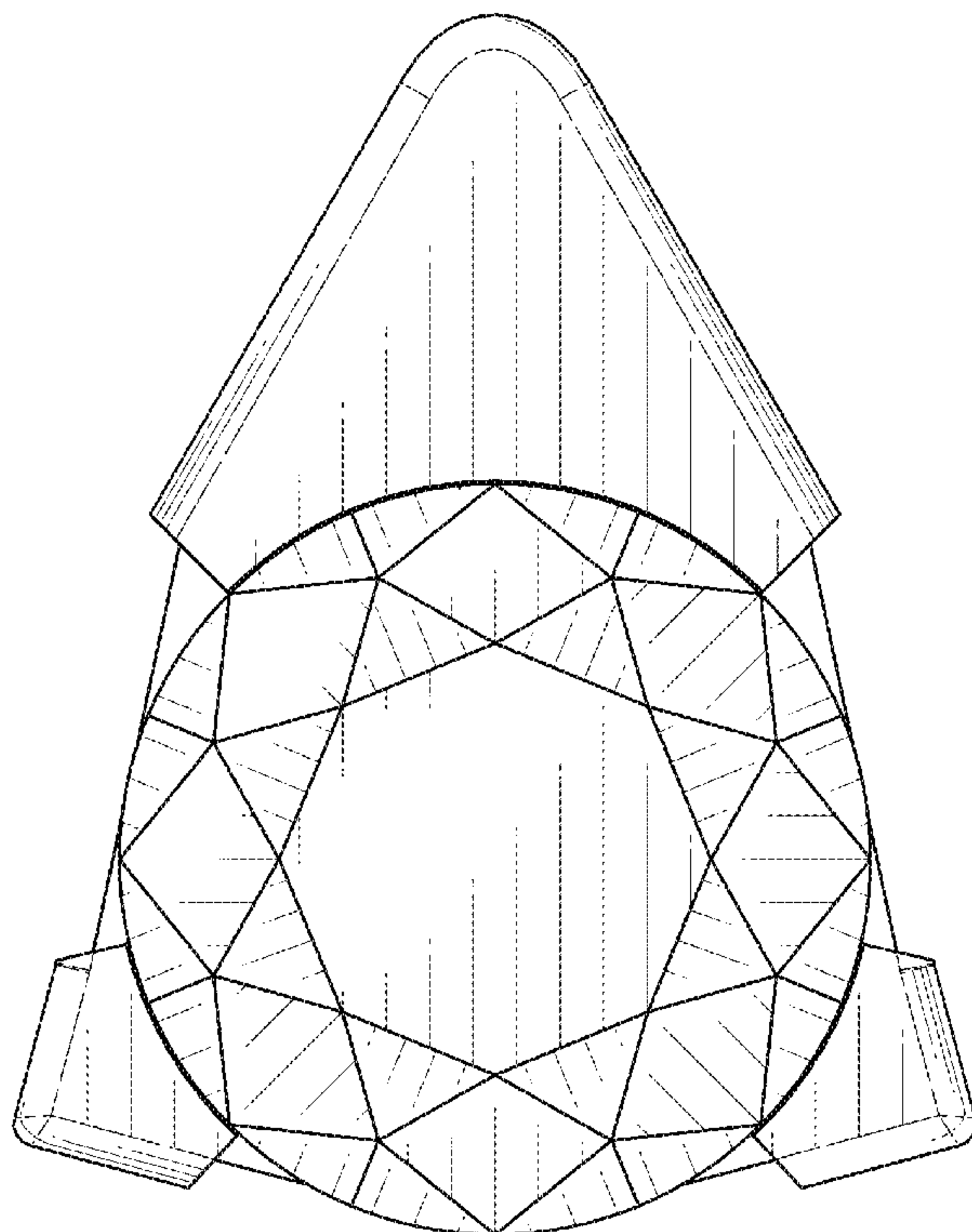
(57) **CLAIM**

The ornamental design for a decorative element for jewelry,
as shown and described.

DESCRIPTION

FIG. 1 is a front elevational view of a decorative element for jewelry showing my new design;
FIG. 2 is a back elevational view thereof;
FIG. 3 is a top plan view thereof;
FIG. 4 is a bottom plan view thereof;
FIG. 5 is a left side elevational view thereof;
FIG. 6 is a right side elevational view thereof;
FIG. 7 is a front, bottom, right side perspective view thereof;
and,
FIG. 8 is a back, bottom, left side perspective view thereof.

1 Claim, 8 Drawing Sheets



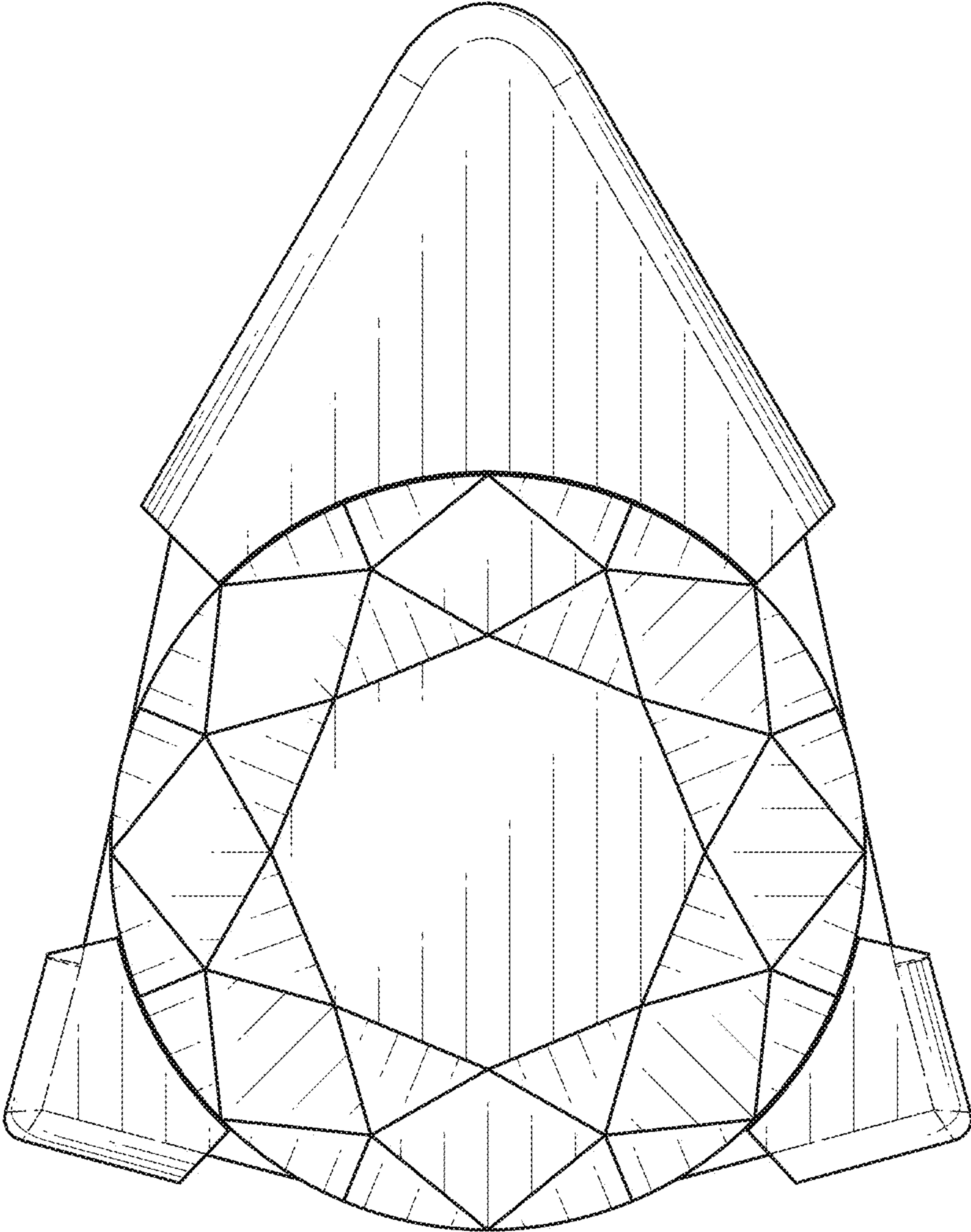


Fig. 1

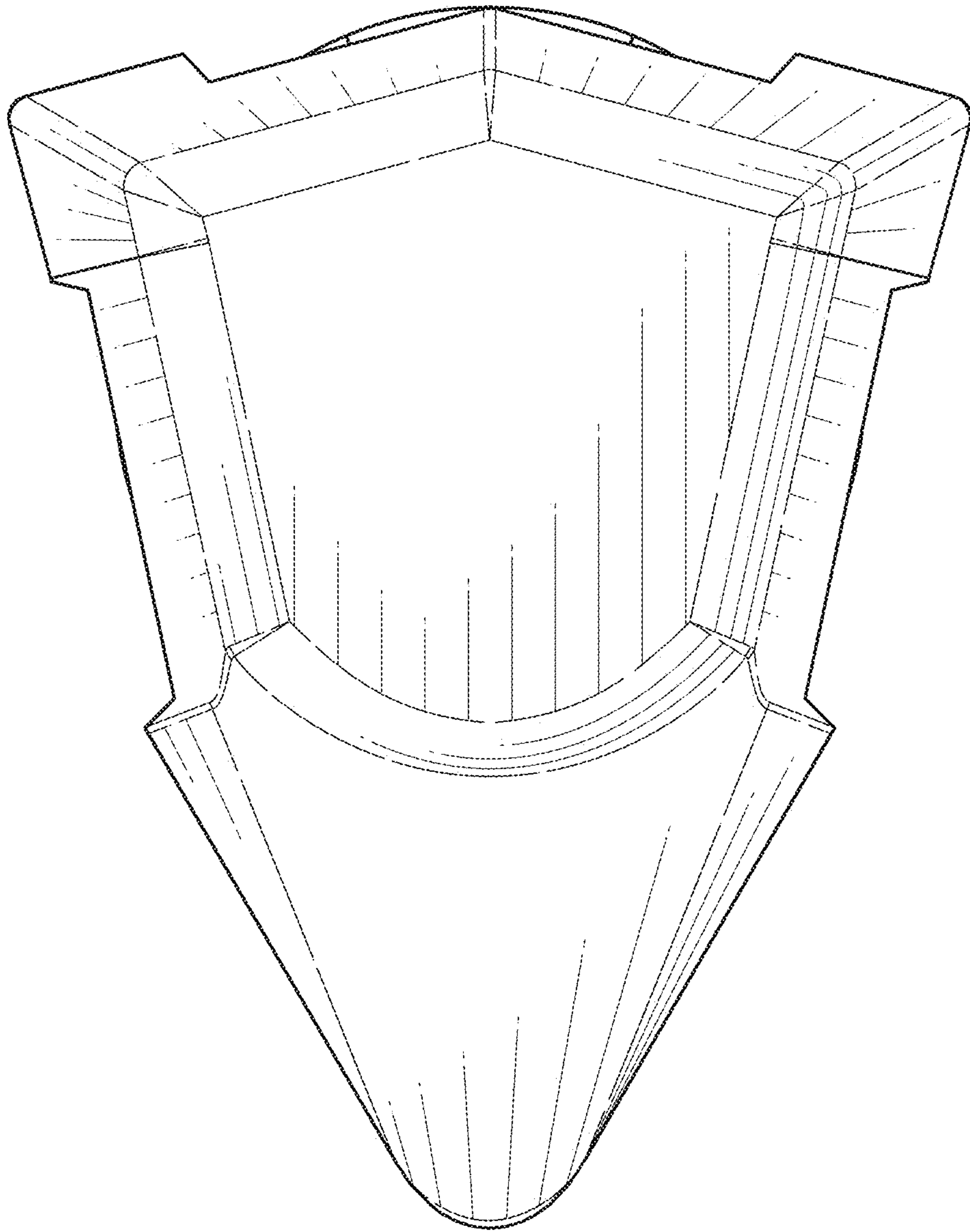


Fig. 2

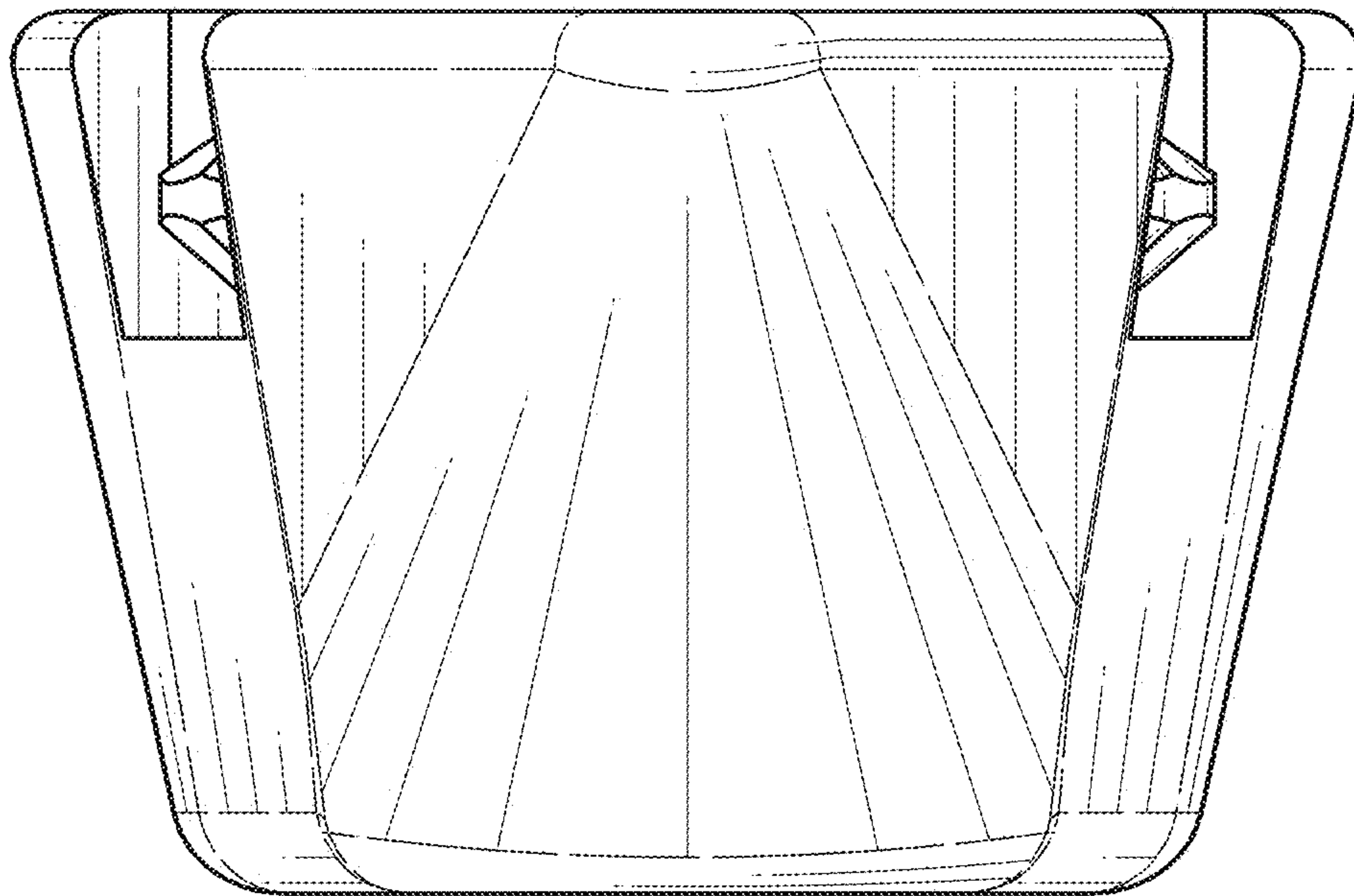


Fig. 3

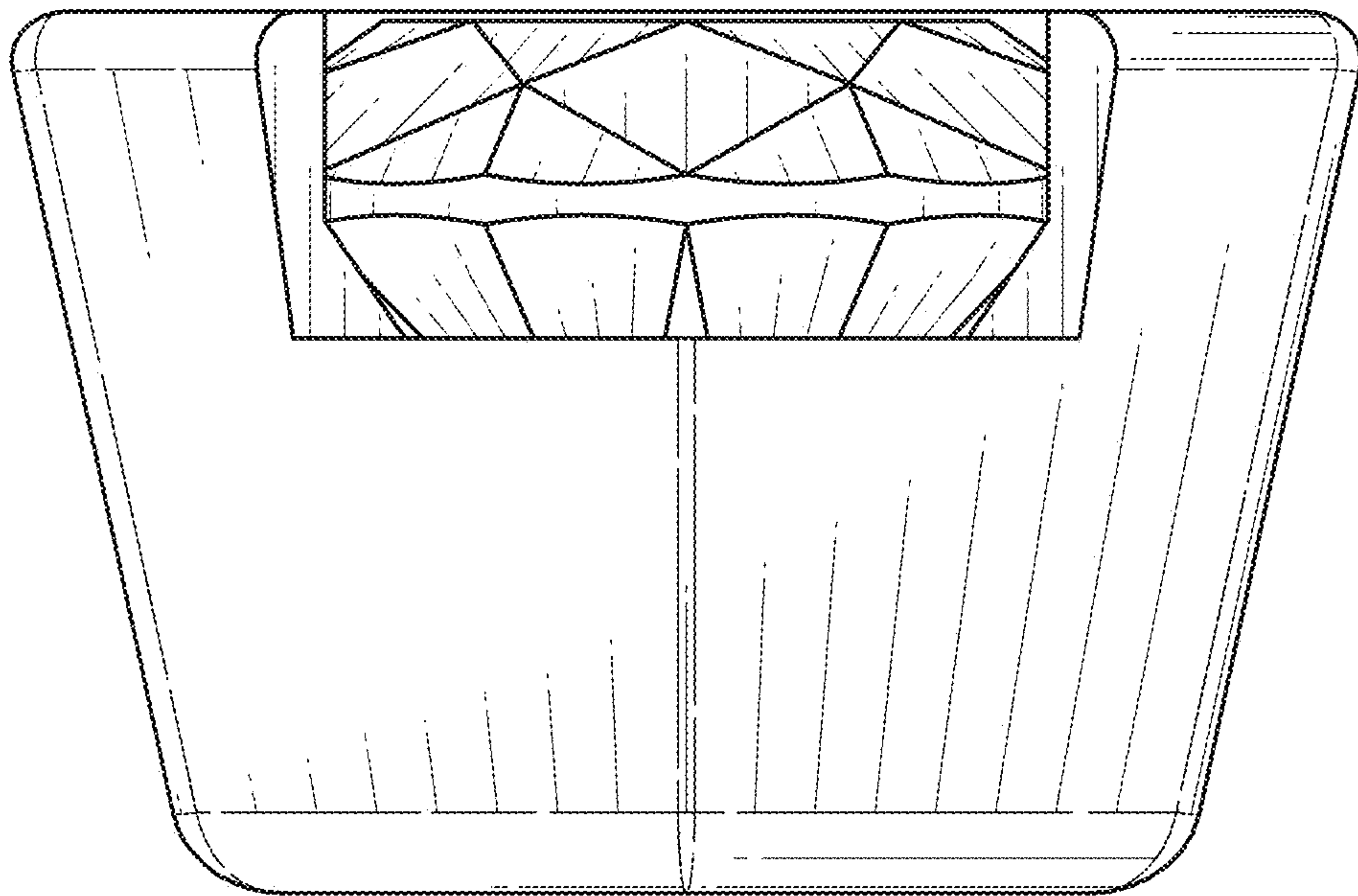


Fig. 4

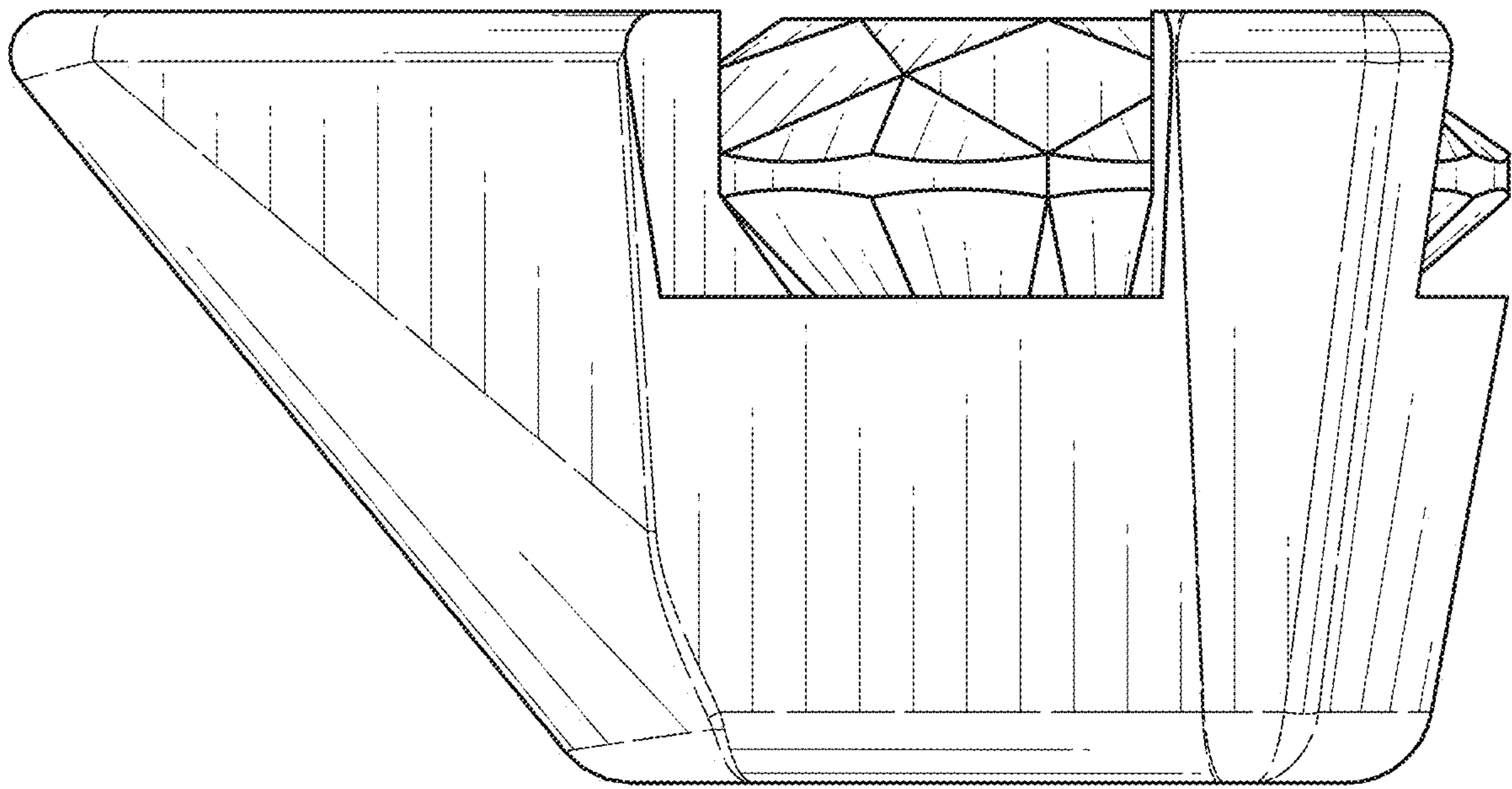


Fig. 5

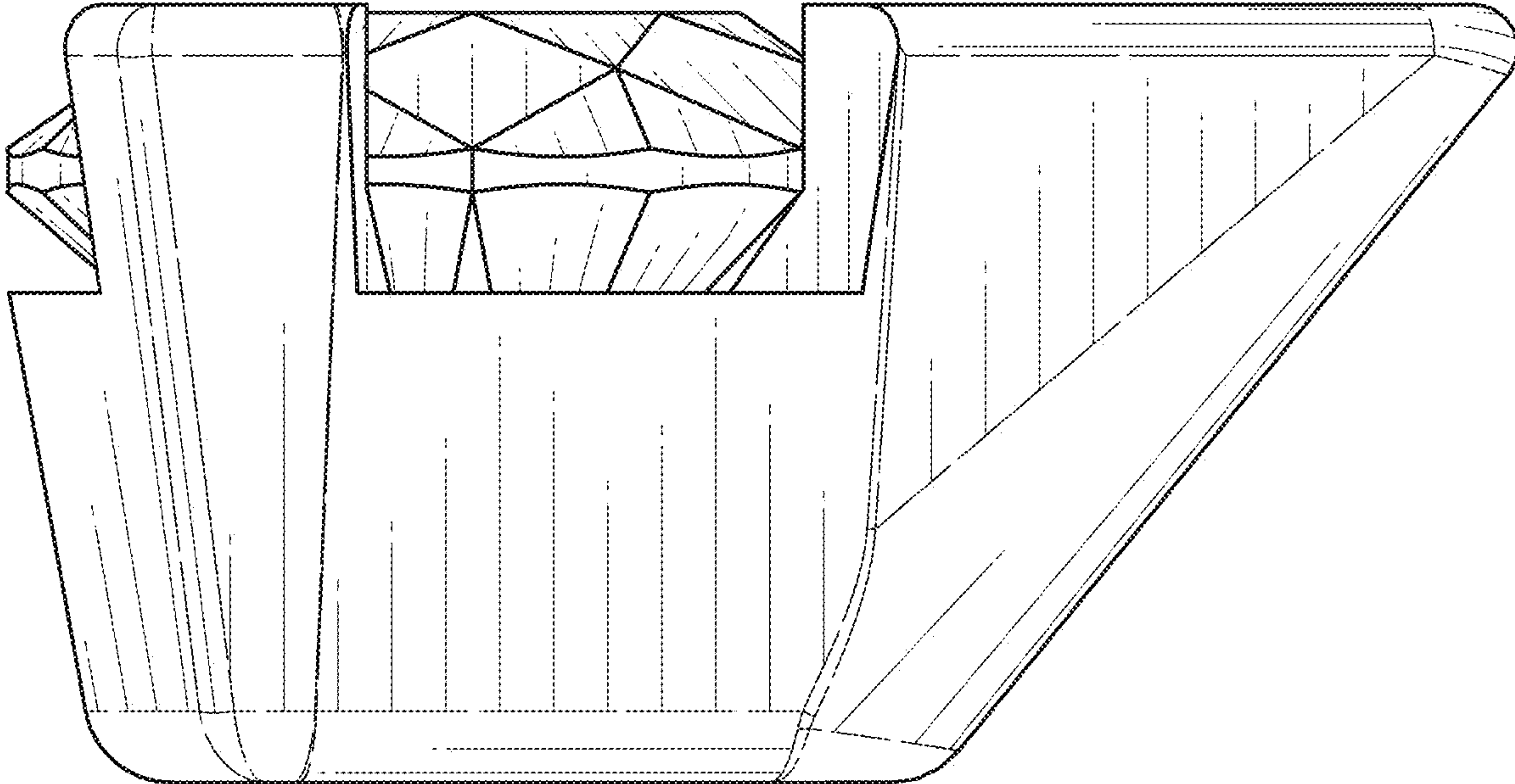


Fig. 6

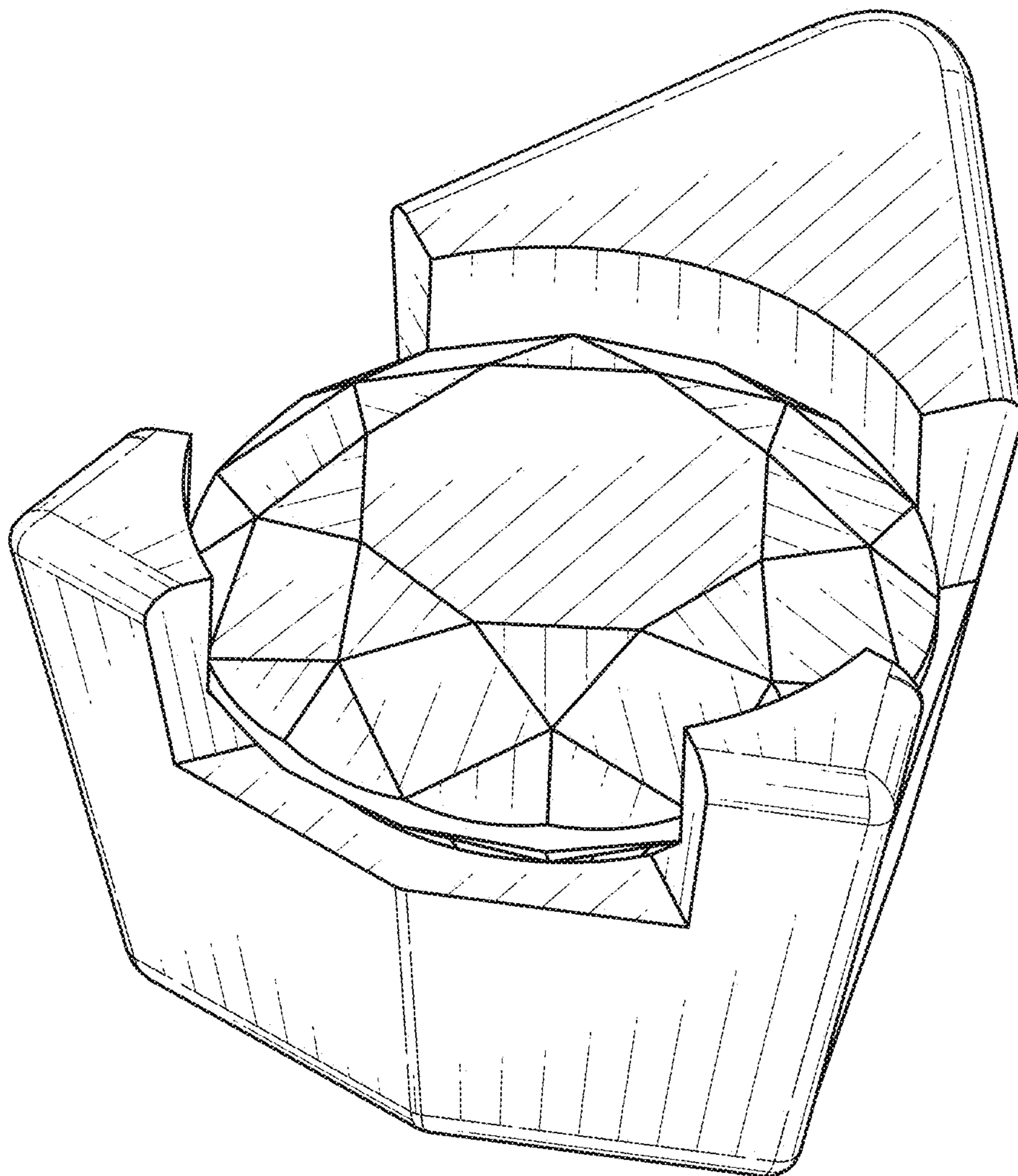


Fig. 7

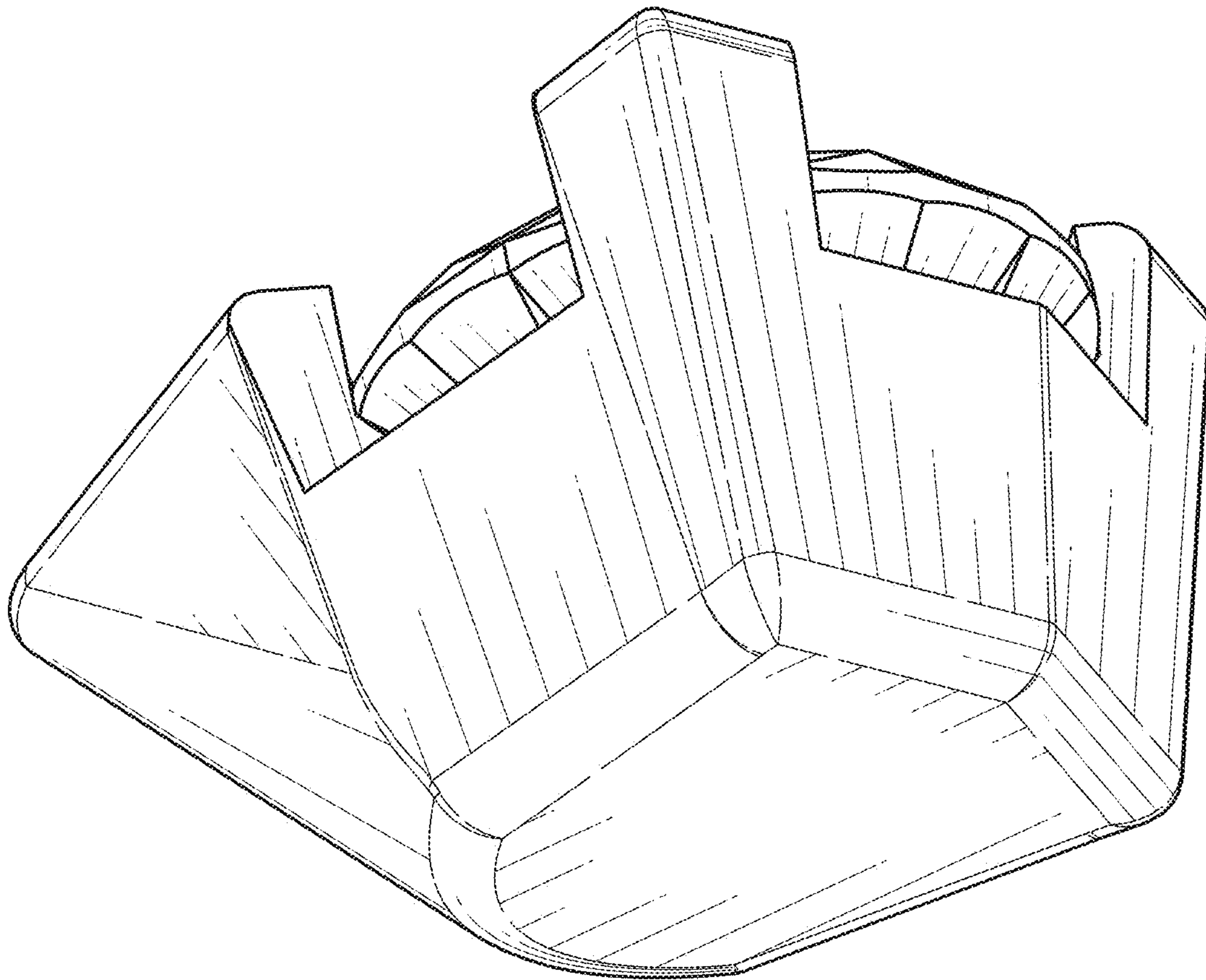


Fig. 8