



US00D899285S

(12) **United States Design Patent** (10) **Patent No.:** **US D899,285 S**
Peterson et al. (45) **Date of Patent:** **** Oct. 20, 2020**

(54) **VAPE DETECTOR HOUSING**
(71) Applicant: **Soter Technologies, LLC**,
Ronkonkoma, NY (US)
(72) Inventors: **Derek Peterson**, South Setauket, NY
(US); **Jason Legoff**, Miller Place, NY
(US)
(73) Assignee: **SOTER TECHNOLOGIES, LLC**,
Ronkonkoma, NY (US)

D314,719 S 2/1991 Gardner
D316,828 S 5/1991 Amemiya et al.
D319,798 S 9/1991 Hatano
D339,756 S 9/1993 Igarashi et al.
D339,998 S 10/1993 Igarashi et al.
D346,981 S 5/1994 Ratzlaff
D355,862 S 2/1995 Tice et al.
D360,373 S 7/1995 Tice et al.
5,486,816 A 1/1996 Ariga et al.
D367,622 S 3/1996 DeWitt
D391,185 S 2/1998 Tomizawa

(Continued)

(**) Term: **15 Years**

FOREIGN PATENT DOCUMENTS

(21) Appl. No.: **29/709,966**

CA 2740454 C 12/2011
KR 101778681 B1 9/2017

(22) Filed: **Oct. 18, 2019**

OTHER PUBLICATIONS

(51) **LOC (12) Cl.** **10-05**

International Search Report and Written Opinion issued by United States Patent Office acting as the International Searching Authority in relation to PCT/US18/00223 dated Nov. 15, 2018.

(52) **U.S. Cl.**

USPC **D10/106.2**

(58) **Field of Classification Search**

USPC D10/46, 52-56, 60, 70, 74, 80, 83, 84,
D10/94, 97, 103, 104.1, 104.2,
D10/106.1-106.95, 108, 121, 123-125,
D10/132

CPC G08B 17/00; G08B 17/06; G08B 17/10;
G08B 17/11; G08B 17/12; G08B 17/103;
G08B 17/107; G08B 21/02; G08B
21/0202; G08B 21/0205; G08B 21/182;
G08B 21/0438; G08B 21/0431; G08B
21/0469; G08B 21/0492

See application file for complete search history.

Primary Examiner — George D. Kirschbaum

Assistant Examiner — Joseph J Kukella

(74) *Attorney, Agent, or Firm* — Carter, DeLuca & Farrell
LLP; George Likourezos

(57) **CLAIM**

The ornamental design for a vape detector housing, as shown and described.

DESCRIPTION

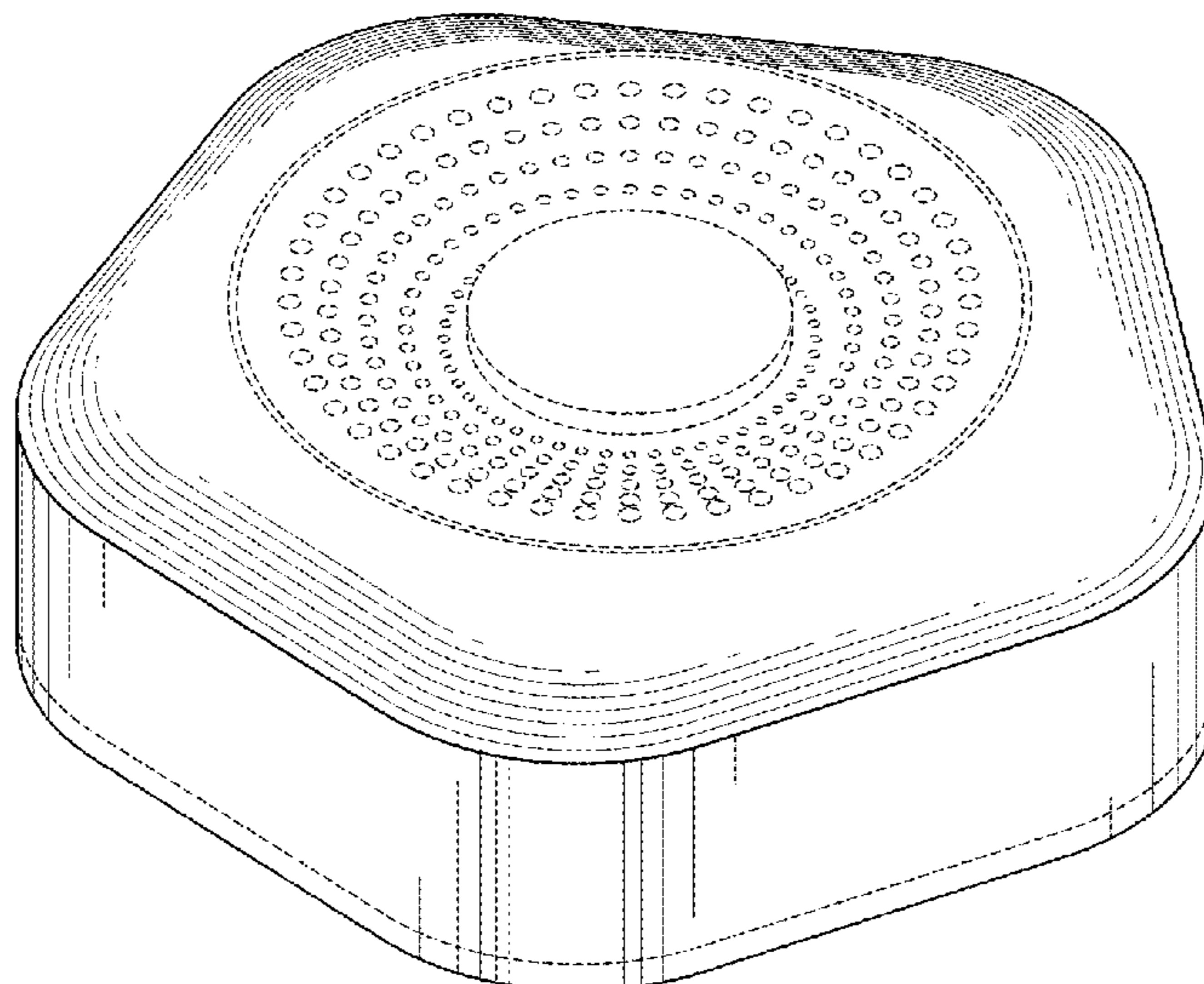
FIG. 1 is a top perspective view of a vape detector housing in accordance with the present design; FIGS. 2-5 are side views; FIG. 6 is a top plan view thereof; and, FIG. 7 is a bottom plan view thereof. The broken lines shown in the drawings illustrate portions of the vape detector housing that form no part of the claimed design.

(56) **References Cited**

U.S. PATENT DOCUMENTS

D252,862 S 9/1979 Mackay
4,236,822 A 12/1980 Jaretsky et al.
D258,943 S 4/1981 Ng
D276,417 S 11/1984 Fenne
D279,872 S 7/1985 Thornton, Jr. et al.
D308,836 S 6/1990 Fenne
D308,947 S 7/1990 Downing

1 Claim, 3 Drawing Sheets



(56)

References Cited

U.S. PATENT DOCUMENTS

D422,521 S	4/2000	Morrow		8,970,387 B2	3/2015	Brigham et al.	
D446,741 S	8/2001	Johnson et al.		9,013,317 B2	4/2015	Brigham et al.	
D485,200 S	1/2004	Berthold et al.		9,057,631 B2	6/2015	Newton	
6,998,991 B1	2/2006	Goldstein et al.		D756,828 S	5/2016	Wettre	
D533,799 S	12/2006	Thalhammer et al.		D757,584 S *	5/2016	Pusey	D10/106.5
D567,691 S *	4/2008	Priestly	D10/106.4	D766,844 S	9/2016	Turksu et al.	
D589,389 S *	3/2009	Lax	D10/106.2	D771,512 S *	11/2016	Kalyan	D10/106.5
D600,151 S	9/2009	Steffensen		D773,332 S	12/2016	Kalyan et al.	
D608,671 S	1/2010	Treharne		D781,170 S	3/2017	Wang	
D622,170 S	8/2010	Cargile		D808,389 S *	1/2018	Judge	D14/240
D627,670 S	11/2010	Gonzales		D809,951 S	2/2018	Yang et al.	
D627,671 S	11/2010	Gonzales		D811,917 S	3/2018	Kalyan et al.	
D631,379 S	1/2011	Sutton		D812,577 S	3/2018	Turksu et al.	
D653,575 S	2/2012	Treharne et al.		D813,072 S	3/2018	Kalyan	
8,175,297 B1	5/2012	Ho et al.		D814,955 S	4/2018	Bolger et al.	
D665,288 S	8/2012	Sun et al.		D833,897 S *	11/2018	Simpson	D10/70
D678,097 S	3/2013	Elwell et al.		D853,874 S	7/2019	Pare et al.	
D703,565 S	4/2014	Chen et al.		D867,911 S *	11/2019	Alabdin	D10/78
D703,566 S	4/2014	Chen et al.		D868,608 S *	12/2019	Ou	D10/106.6
D715,170 S	10/2014	Brigham et al.		D888,595 S *	6/2020	Desjardins	D10/106.2
D715,171 S	10/2014	Brigham et al.		2010/0127865 A1	5/2010	Marriam et al.	
D716,674 S *	11/2014	Herzl	D10/53	2015/0030375 A1	1/2015	Kawaguchi et al.	
D717,182 S *	11/2014	Herzl	D10/53	2015/0323427 A1	11/2015	Sharp	
				2016/0163168 A1	6/2016	Brav et al.	
				2016/0212828 A1	7/2016	Leinen et al.	
				2016/0240059 A1	8/2016	Stowell et al.	

* cited by examiner

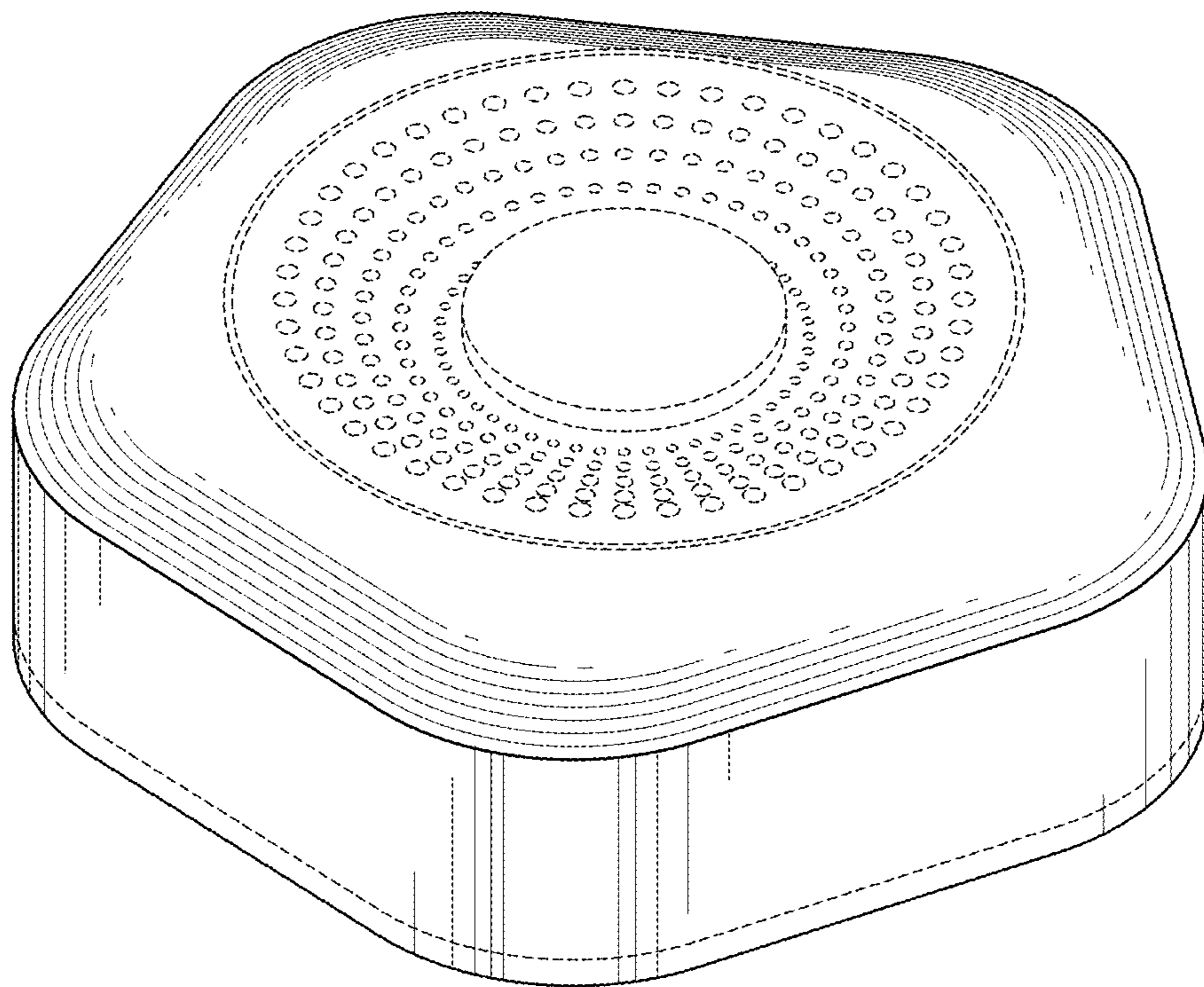


FIG. 1

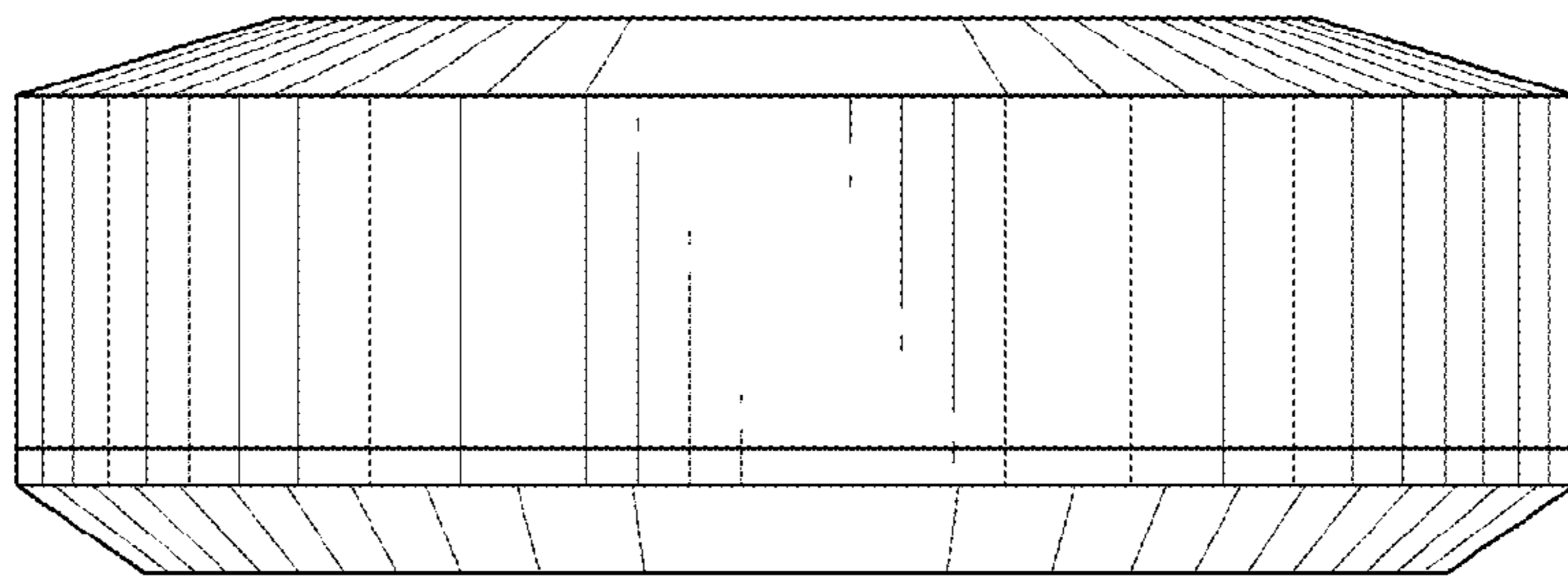


FIG. 2

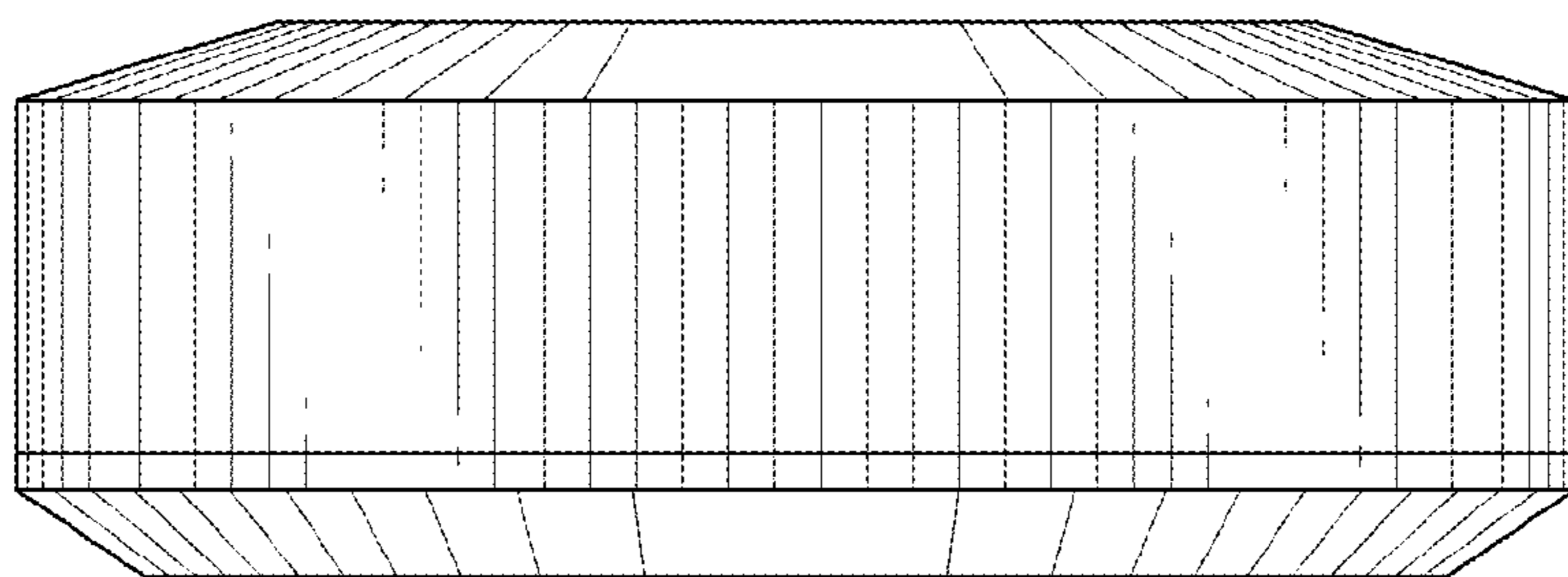


FIG. 3

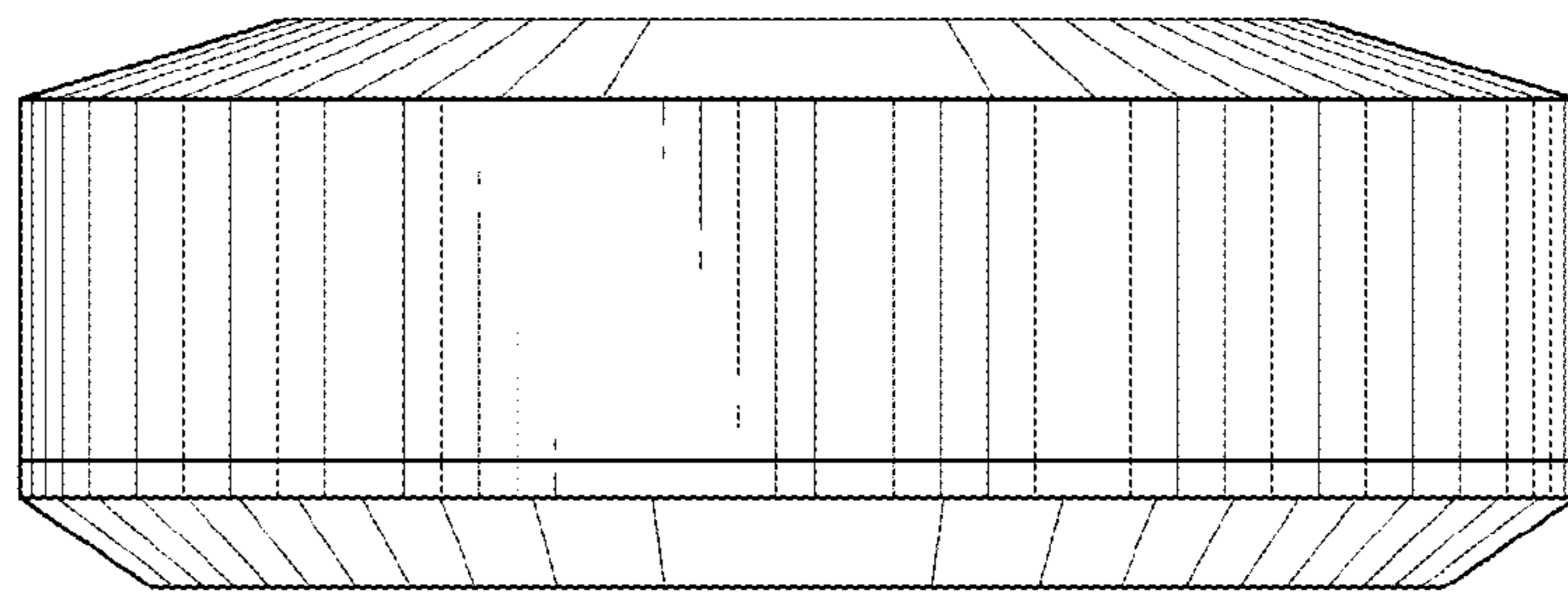


FIG. 4

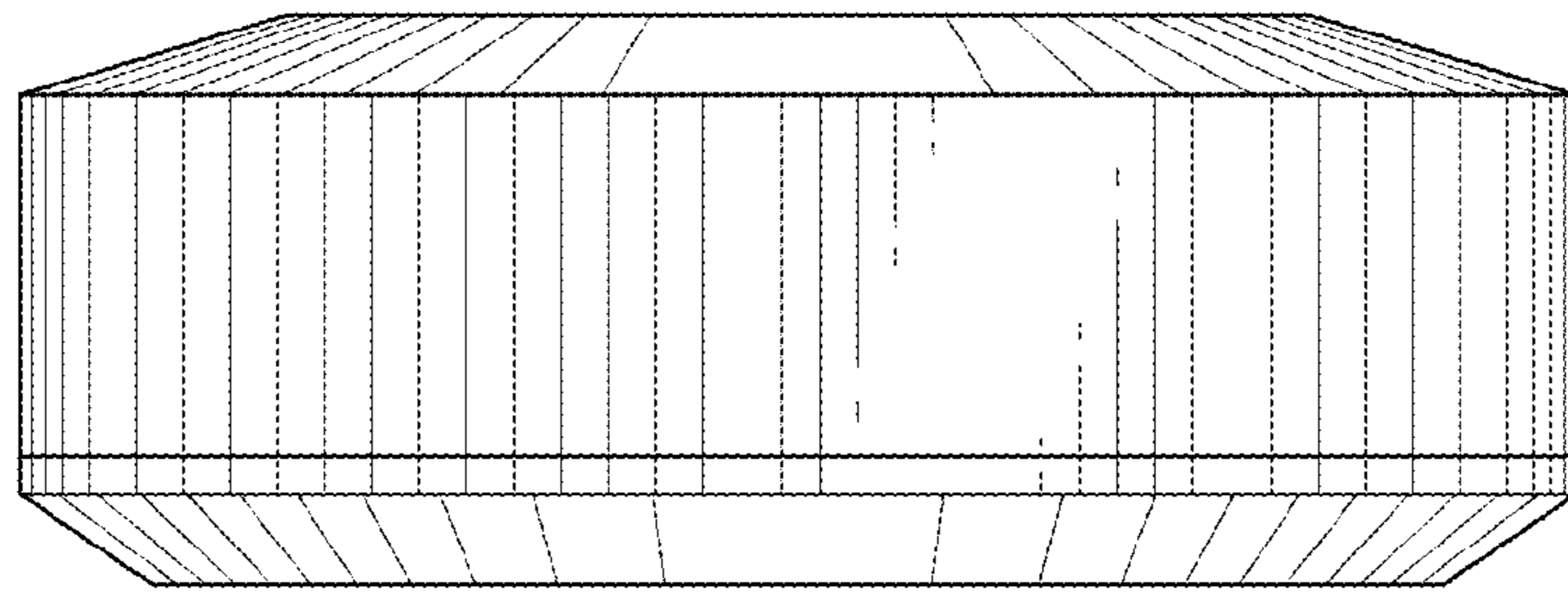


FIG. 5

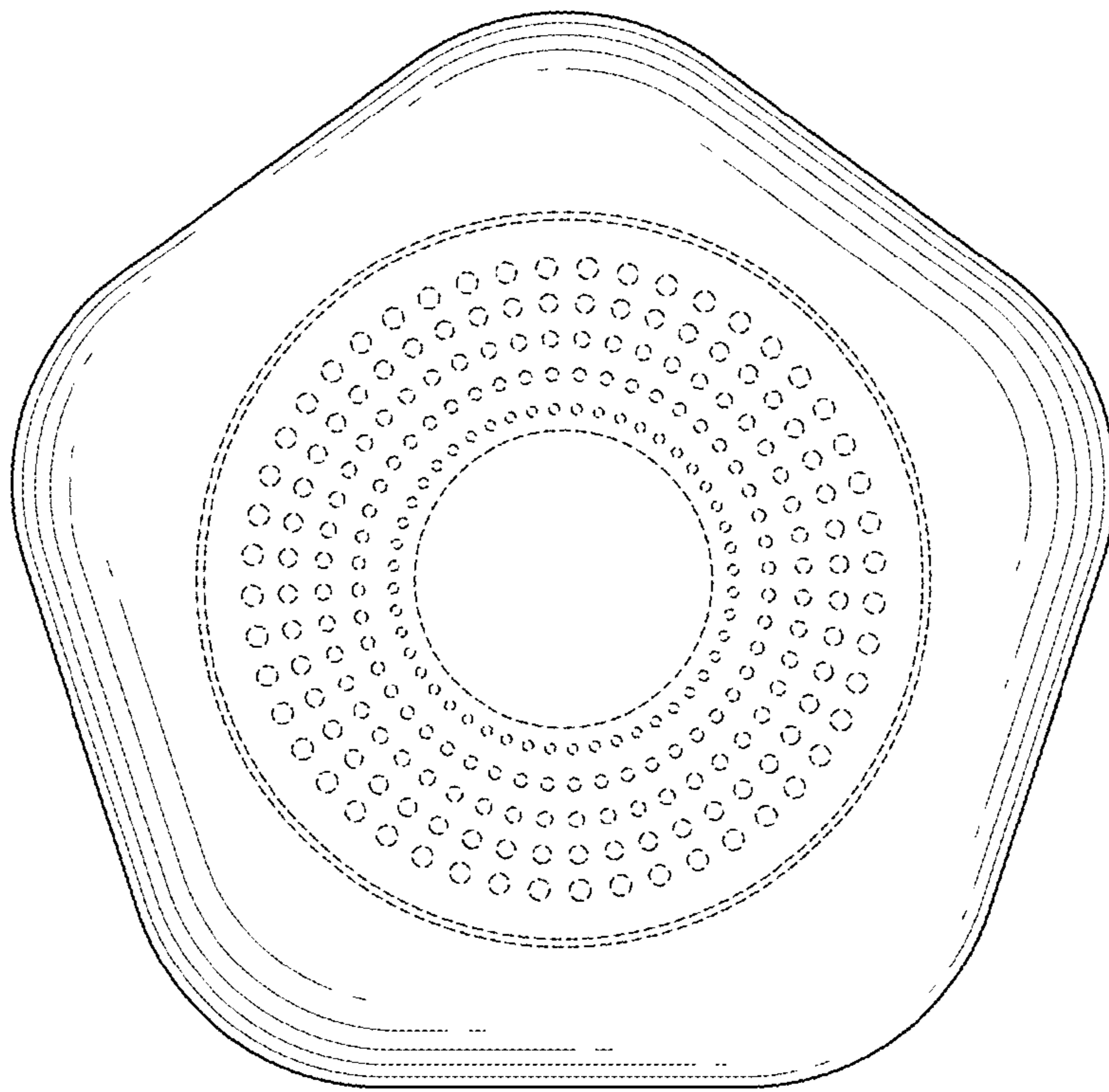


FIG. 6

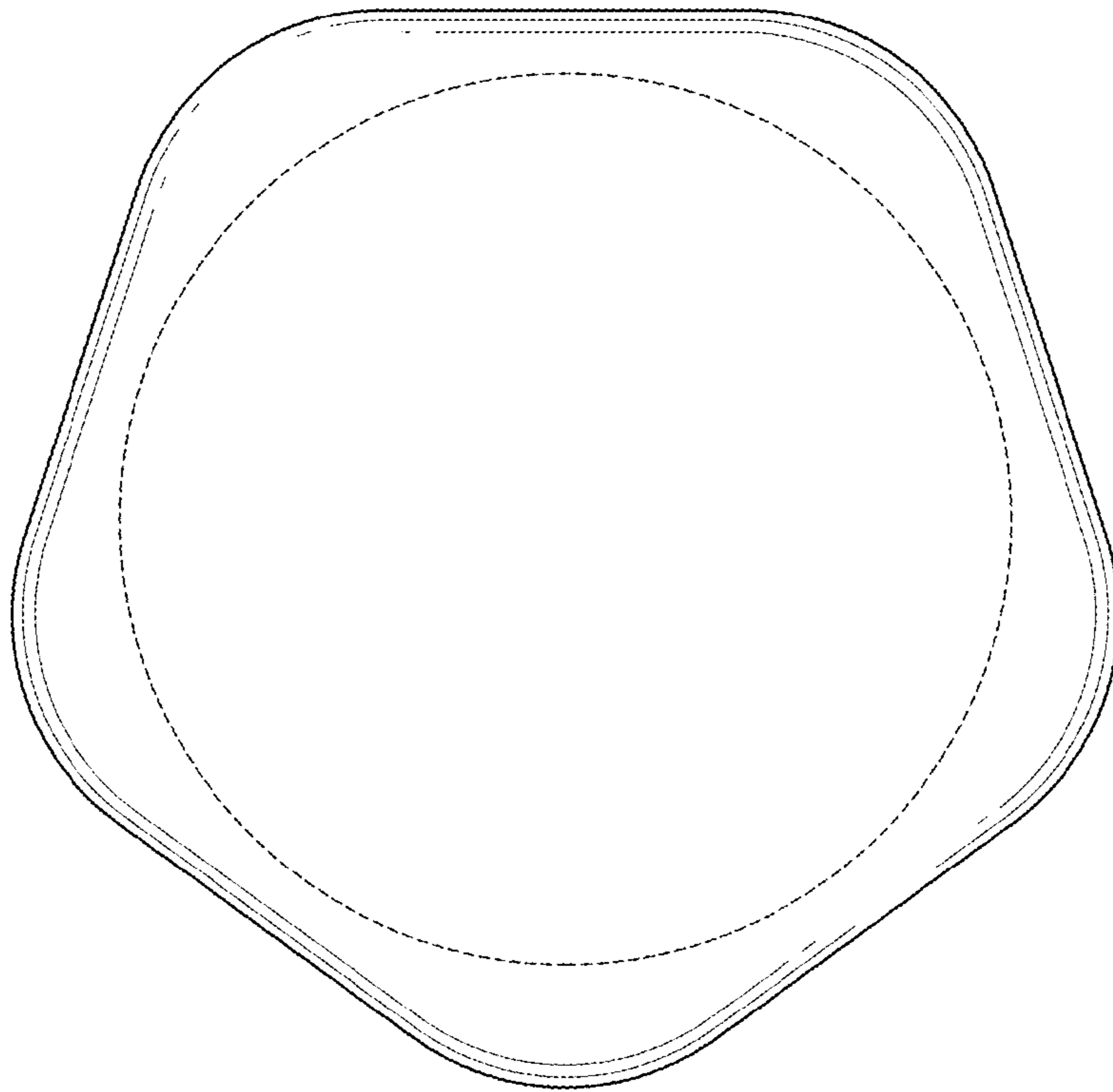


FIG. 7