



US00D899284S

(12) **United States Design Patent**  
**Dougakiuchi et al.**

(10) **Patent No.:** **US D899,284 S**

(45) **Date of Patent:** **\*\* Oct. 20, 2020**

(54) **FLUID ANALYZER**

H01S 5/141; H01S 5/0203; H01S 5/22;  
H01S 5/3401; H01S 2301/176

(71) Applicant: **HAMAMATSU PHOTONICS K.K.**,  
Hamamatsu-shi, Shizuoka (JP)

See application file for complete search history.

(72) Inventors: **Tatsuo Dougakiuchi**, Hamamatsu (JP);  
**Akio Ito**, Hamamatsu (JP); **Masahiro Hitaka**,  
Hamamatsu (JP); **Tadataka Edamura**,  
Hamamatsu (JP)

(56) **References Cited**

U.S. PATENT DOCUMENTS

3,884,640 A \* 5/1975 Lock ..... G01N 33/4915  
422/82.03

(73) Assignee: **HAMAMATSU PHOTONICS K.K.**,  
Hamamatsu-shi, Shizuoka (JP)

\* cited by examiner

*Primary Examiner* — Antoine Duval Davis

(\*\*) Term: **15 Years**

(74) *Attorney, Agent, or Firm* — Faegre Drinker Biddle &  
Reath LLP

(21) Appl. No.: **29/684,296**

(22) Filed: **Mar. 20, 2019**

(57) **CLAIM**

The ornamental design for a fluid analyzer, as shown and  
described.

(30) **Foreign Application Priority Data**

Sep. 21, 2018 (JP) ..... 2018-020624  
Sep. 21, 2018 (JP) ..... 2018-020625

**DESCRIPTION**

(51) **LOC (12) Cl.** ..... **10-04**

FIG. 1 is a front view of a fluid analyzer of the present  
invention;

(52) **U.S. Cl.**  
USPC ..... **D10/103**

FIG. 2 is a rear view thereof;

(58) **Field of Classification Search**

USPC ..... D10/81, 103; D24/216, 219, 223, 224,  
D24/231

FIG. 3 is a top plan view thereof;

CPC .. G01N 21/00; G01N 21/01; G01N 2201/022;

FIG. 4 is a bottom plan view thereof;

G01N 2201/0221; G01N 2201/0222;

FIG. 5 is a right side view thereof;

G01N 2201/0224; G01N 2201/0225;

FIG. 6 is a left side view thereof;

G01N 2201/0227; G01N 2201/0228;

FIG. 7 is a front, top plan and right side perspective view  
thereof;

G01N 2201/024; G01N 2201/0245; G01N

FIG. 8 is a rear, top plan and left side perspective view  
thereof;

2021/0112–21/958; G01N

2021/0106–2021/9586; G01N

FIG. 9 is an enlarged cross-sectional view along the line 9-9  
in FIG. 1; and,

35/00–35/1097; G01N

2035/00019–2035/1093; G01N

FIG. 10 is an enlarged cross-sectional view along the line  
10-10 in FIG. 5.

2204/022–2204/0228; G01N 21/39; G01N

2021/451; G01N 2021/391; G01N

2021/399; H01L 31/035236; H01S

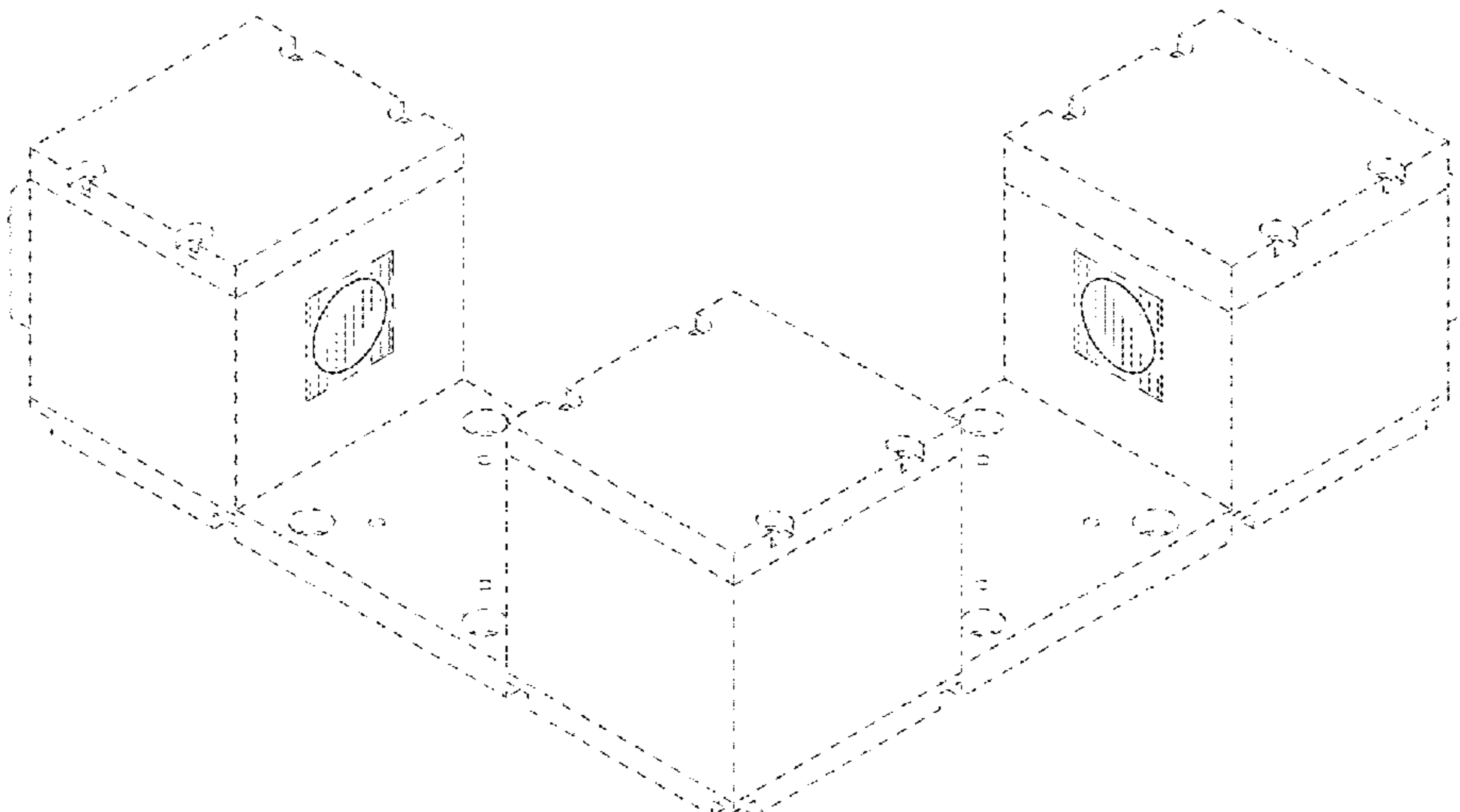
The features shown in evenly-dashed broken lines depict  
environmental subject matter only and form no part of the  
claimed design. The dot-dash broken lines in the drawings  
represent the bounds of the claimed subject matter, the  
dot-dash broken lines, themselves forming no part thereof.

5/0028; H01S 5/0264; H01S 5/2027;

H01S 5/10; H01S 5/34313; H01S 5/0656;

H01S 5/143; H01S 5/0208; H01S 5/12;

**1 Claim, 10 Drawing Sheets**



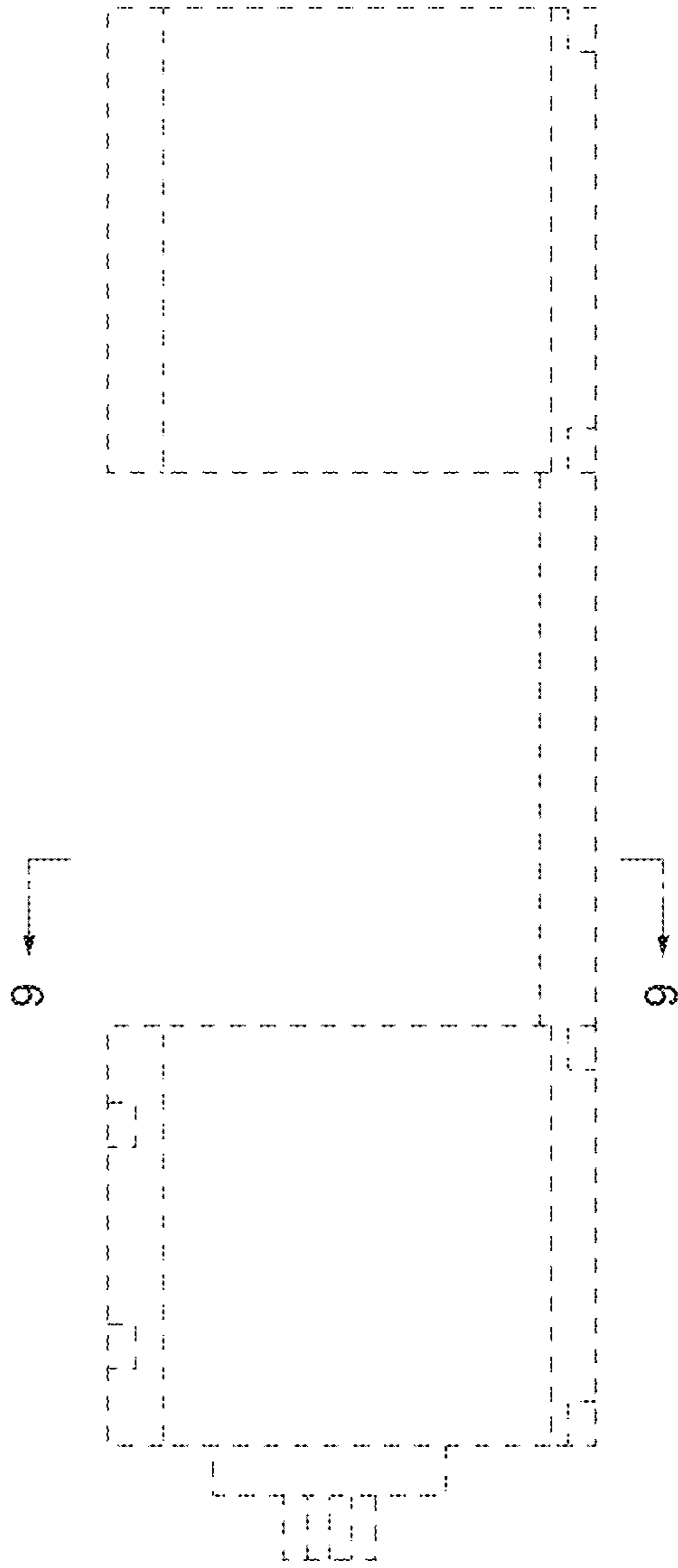


FIG. 1

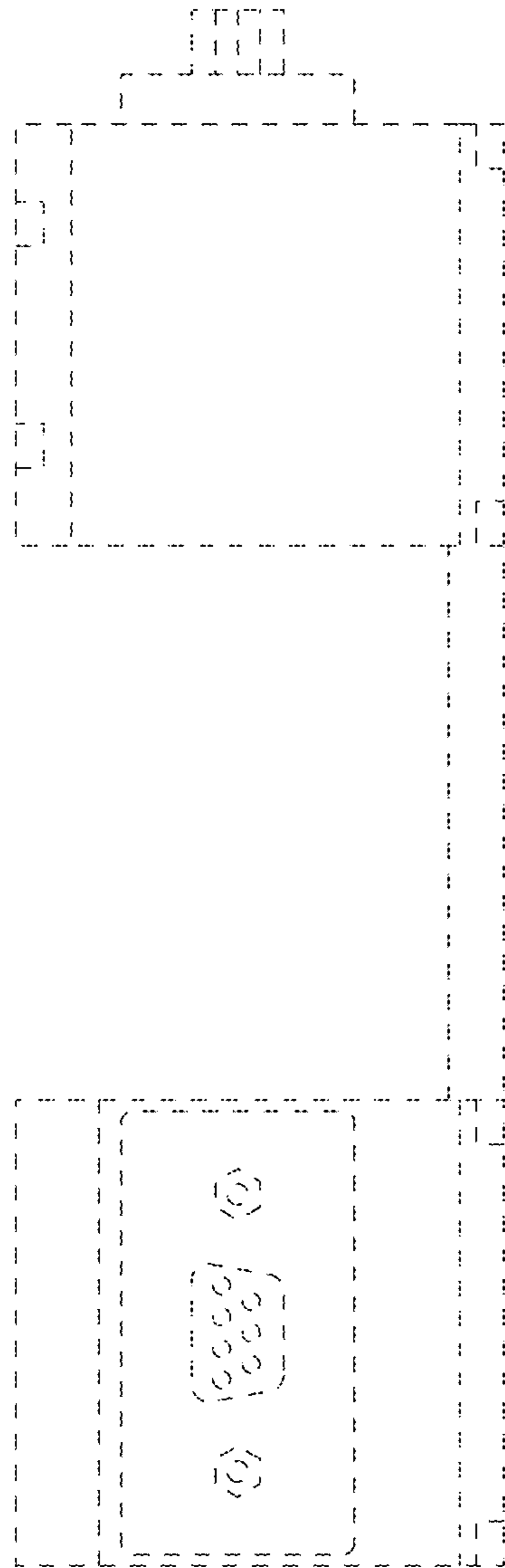


FIG. 2

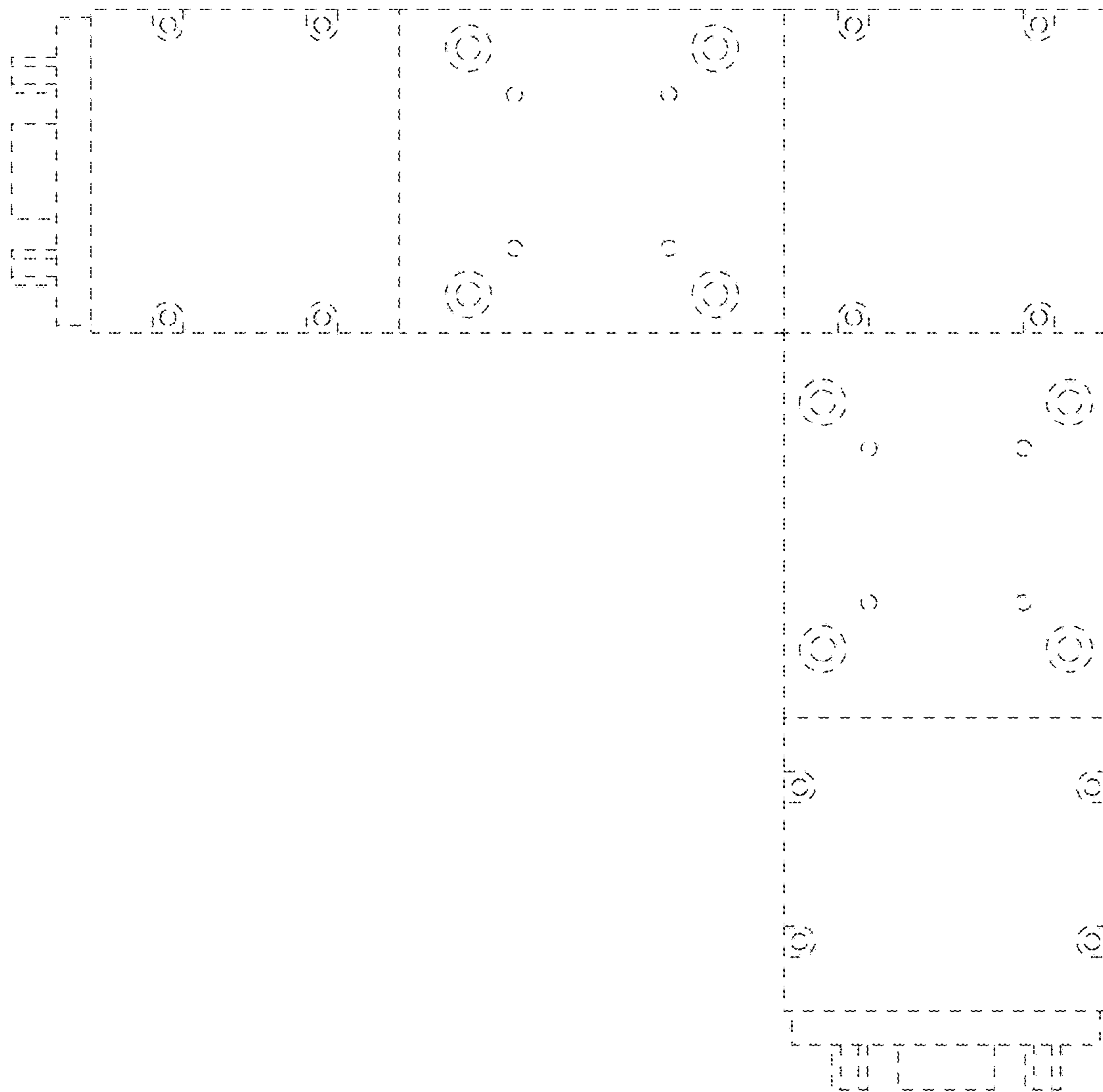


FIG. 3

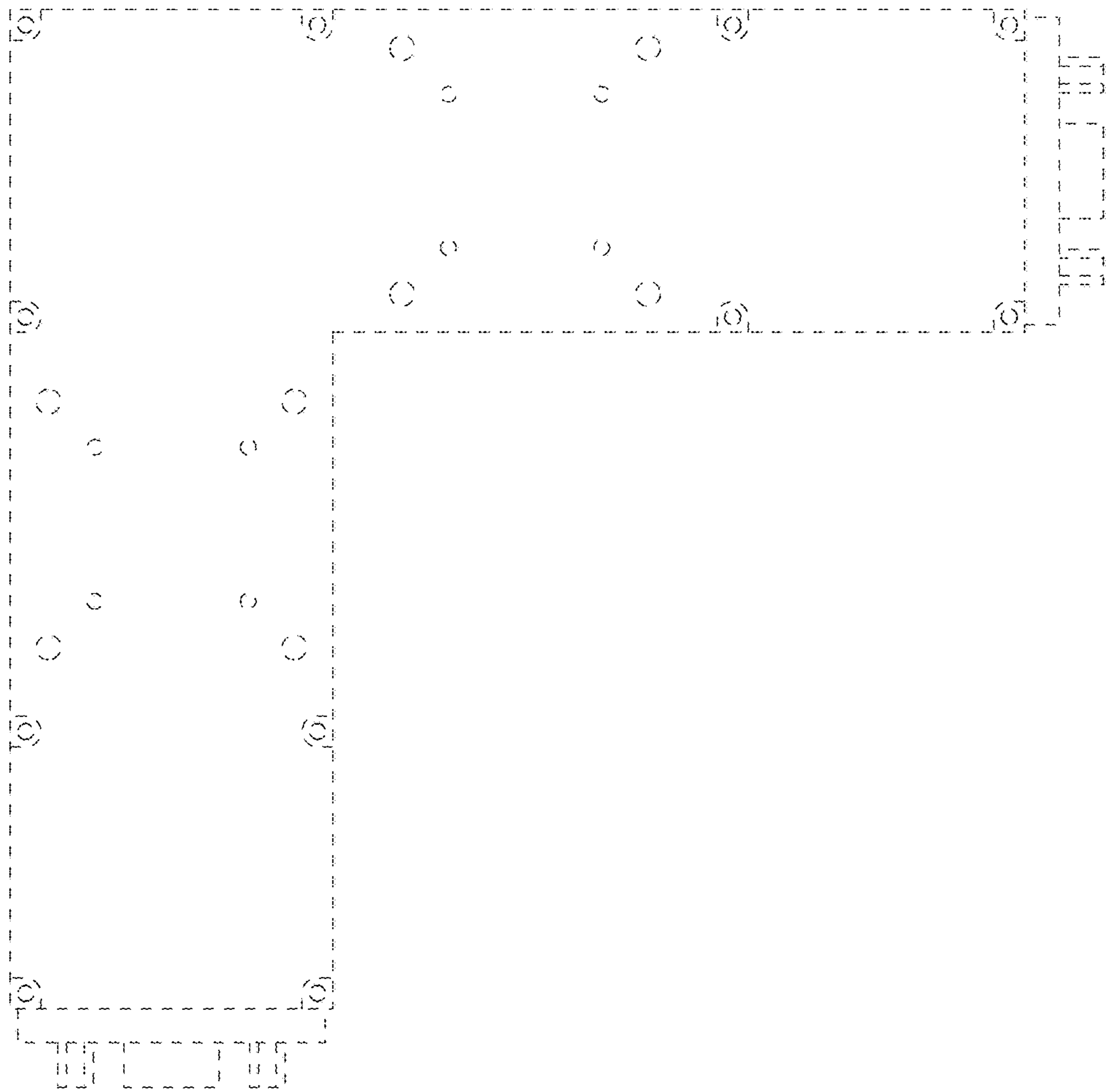


FIG. 4

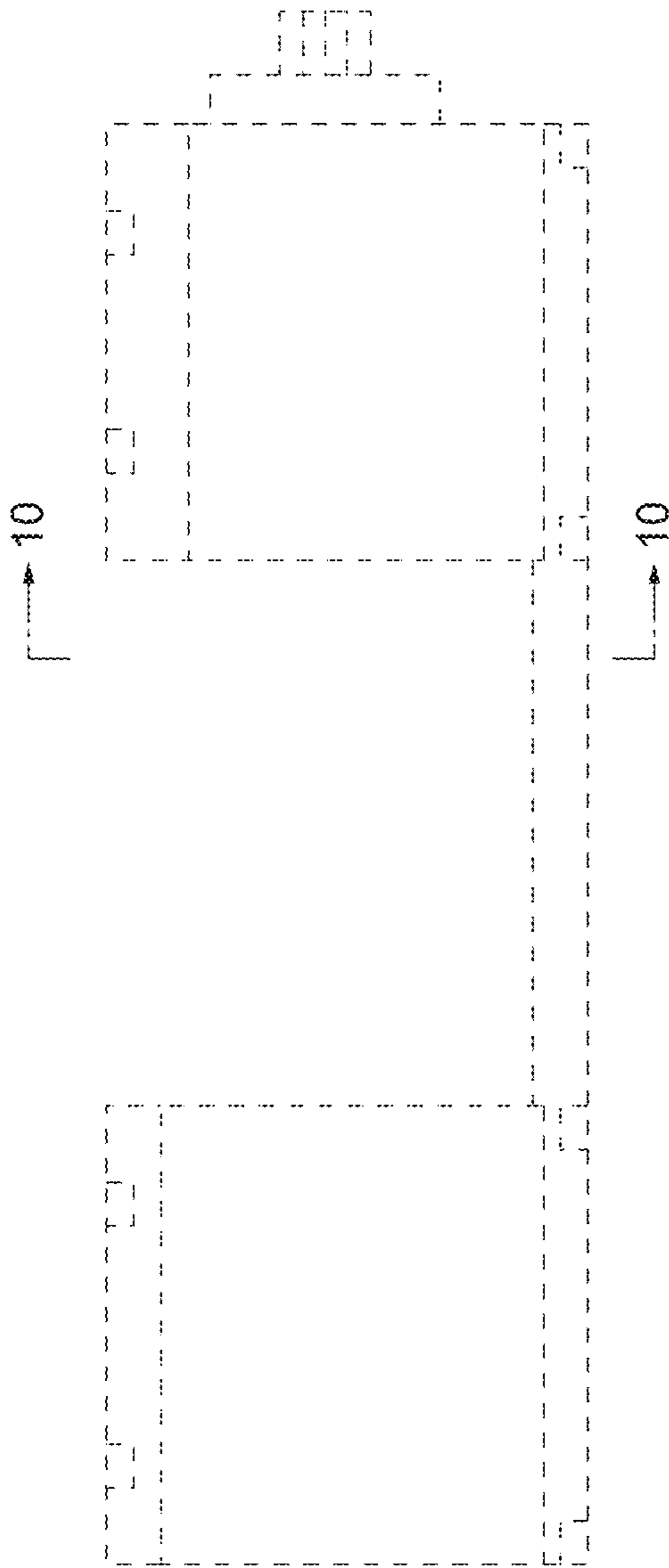


FIG. 5

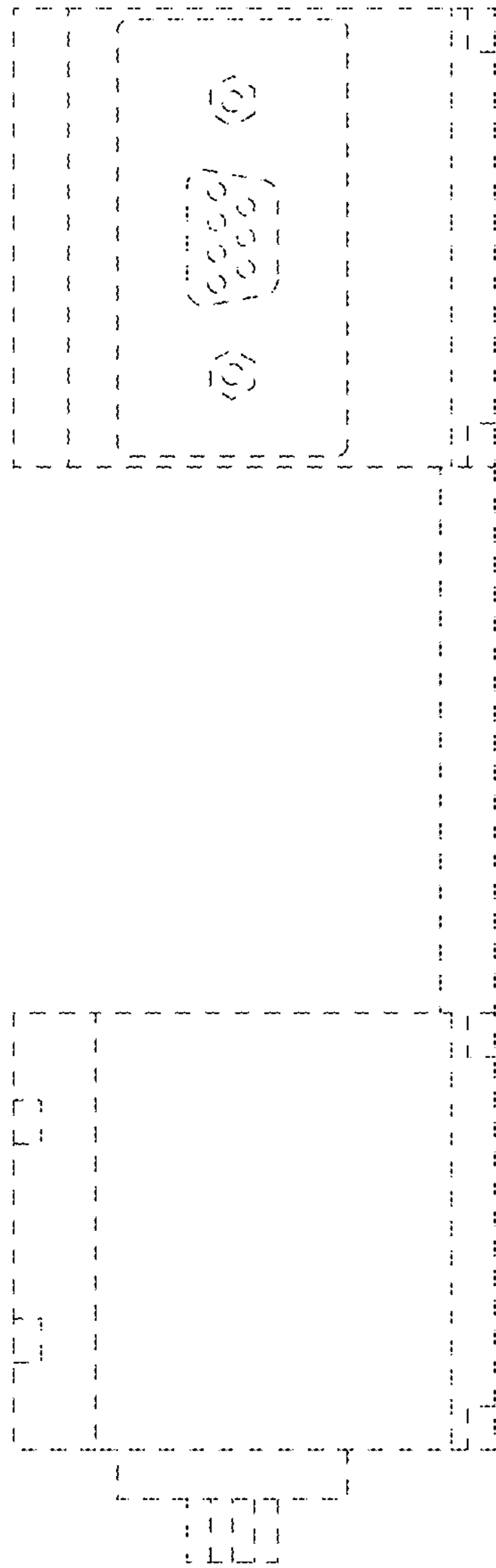


FIG. 6

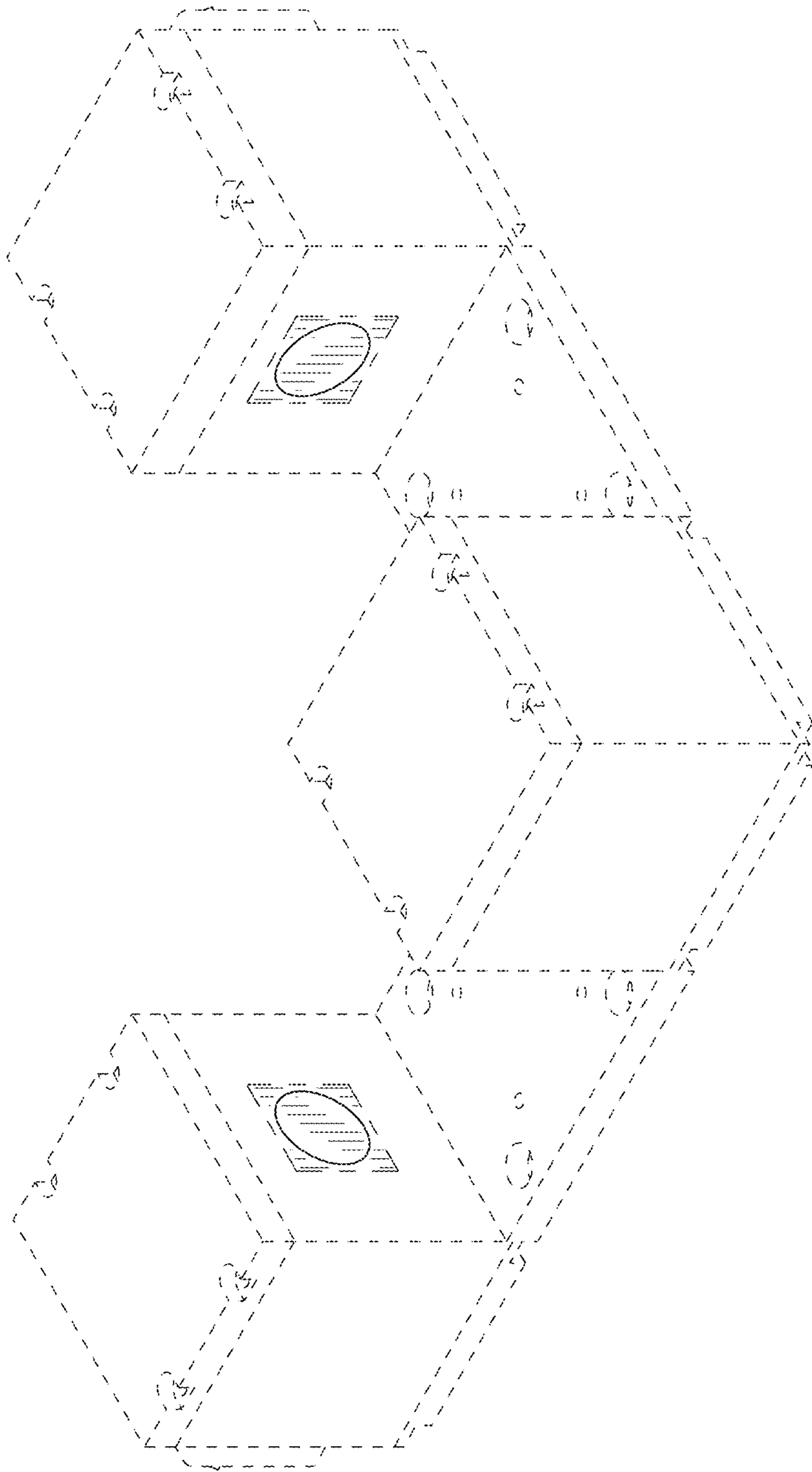


FIG. 7



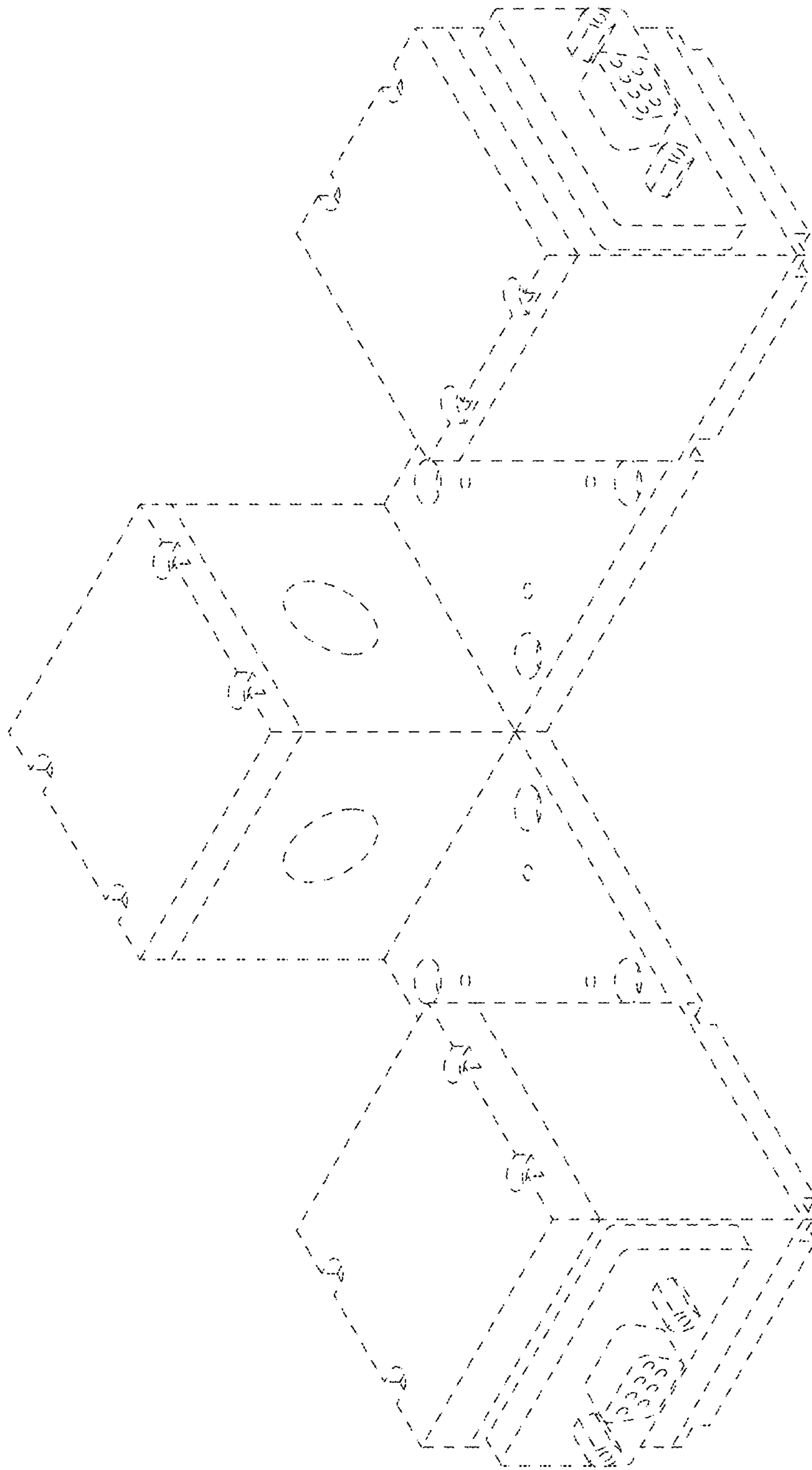


FIG. 8

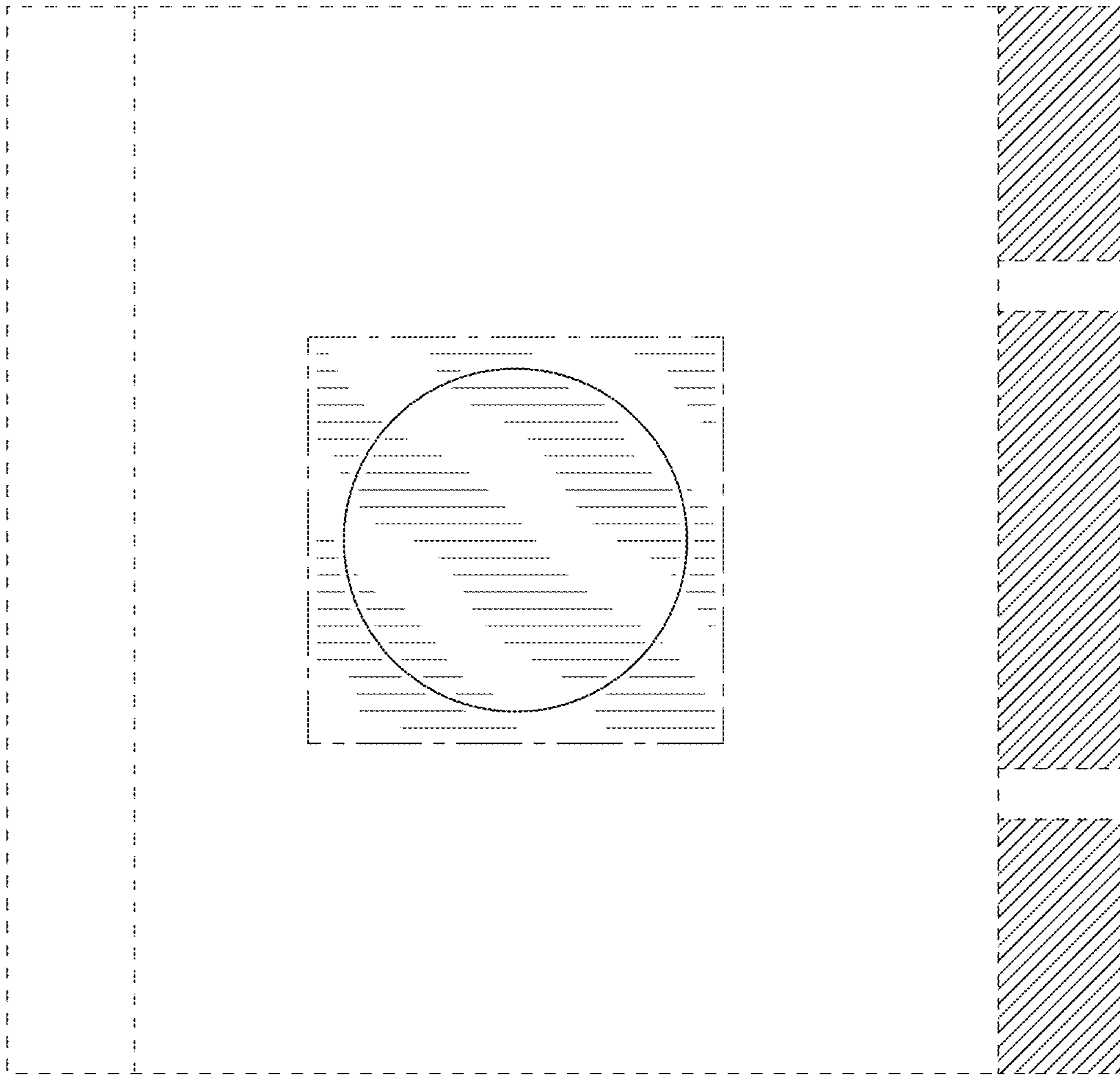


FIG. 9

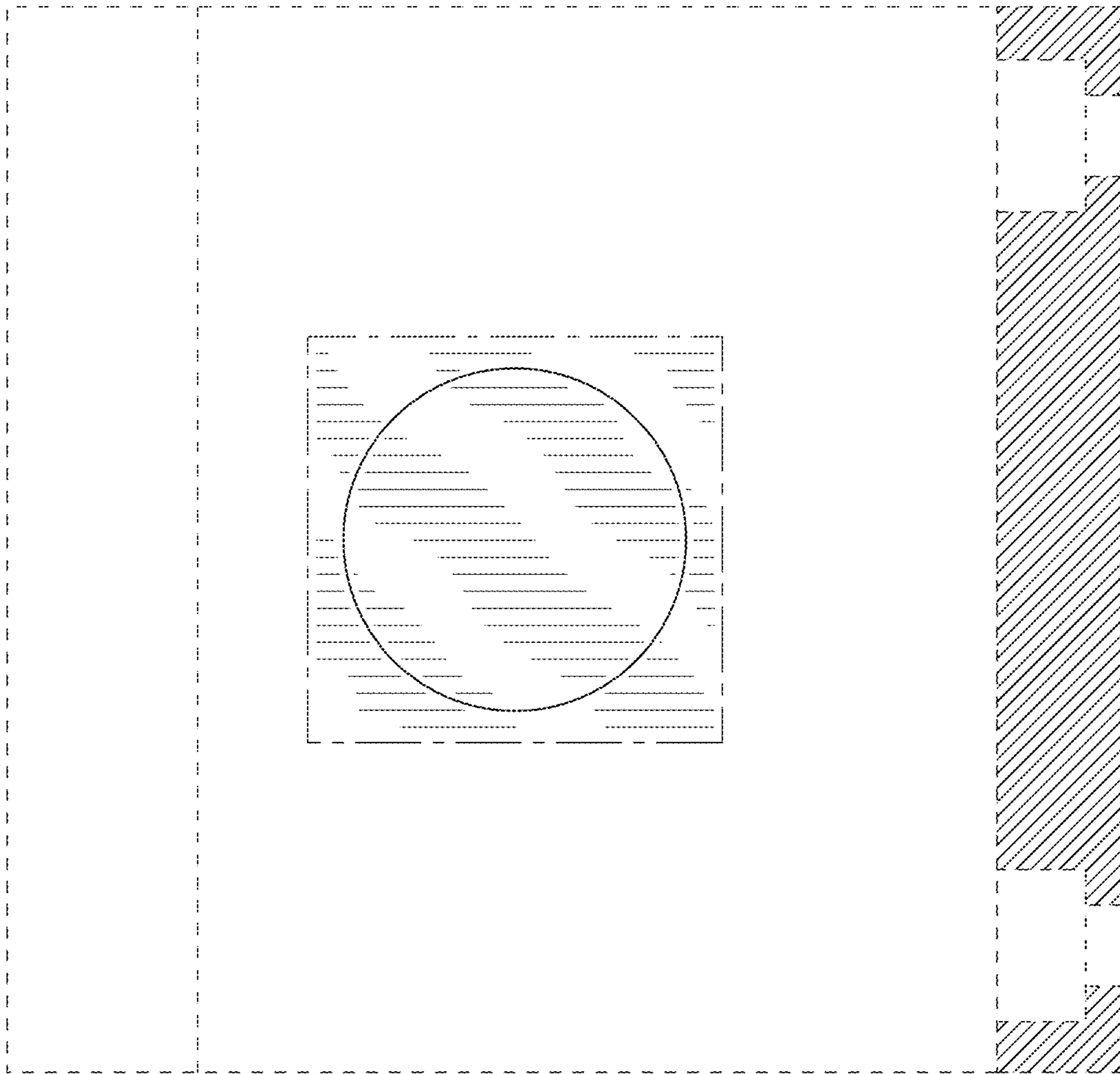


FIG. 10