



US00D899282S

(12) **United States Design Patent** (10) **Patent No.:** **US D899,282 S**
Matsumoto et al. (45) **Date of Patent:** **** Oct. 20, 2020**

(54) **TESTING DEVICE FOR TIRES**

(56) **References Cited**

(71) Applicant: **KOKUSAI KEISOKUKI
KABUSHIKI KAISHA**, Tokyo (JP)

U.S. PATENT DOCUMENTS

(72) Inventors: **Sigeru Matsumoto**, Tokyo (JP);
Hiroshi Miyashita, Tokyo (JP);
Kazuhiro Murauchi, Tokyo (JP);
Shuichi Tokita, Kanagawa (JP)

7,629,533	B2 *	12/2009	Cole, Sr.	B01L 1/00 174/17.07
D638,952	S *	5/2011	Oonuma	D24/216
D712,447	S *	9/2014	He	D15/199
D787,695	S *	5/2017	Mottscheller	D24/216
D796,360	S *	9/2017	Schulz	D10/83
D801,202	S *	10/2017	Johnston	D10/81
D823,149	S *	7/2018	Schulze	D10/81
10,156,586	B2 *	12/2018	Adams	G01R 1/0466
D840,847	S *	2/2019	Doi	D10/65
10,209,272	B2 *	2/2019	Li	G01R 1/0416
D842,726	S *	3/2019	Weaver	D10/75
D847,676	S *	5/2019	Matsumiya	D10/83
D848,882	S *	5/2019	Matsumiya	D10/83
D848,883	S *	5/2019	Matsumiya	D10/83

(73) Assignee: **KOKUSAI KEISOKUKI
KABUSHIKI KAISHA**, Tokyo (JP)

(**) Term: **15 Years**

(21) Appl. No.: **29/708,482**

(22) Filed: **Oct. 7, 2019**

* cited by examiner

Primary Examiner — George D. Kirschbaum

(74) *Attorney, Agent, or Firm* — Oliff PLC

Related U.S. Application Data

(62) Division of application No. 35/505,599, filed on Mar. 5, 2018 (U.S. filing date under 35 U.S.C. 384), and having an international filing date of Mar. 5, 2018, now Pat. No. Des. 869,969.

(57) **CLAIM**

The ornamental design for a testing device for tires, as shown and described.

DESCRIPTION

(30) **Foreign Application Priority Data**

Dec. 28, 2017 (JP) 2017-029458
Dec. 28, 2017 (JP) 2017-029459

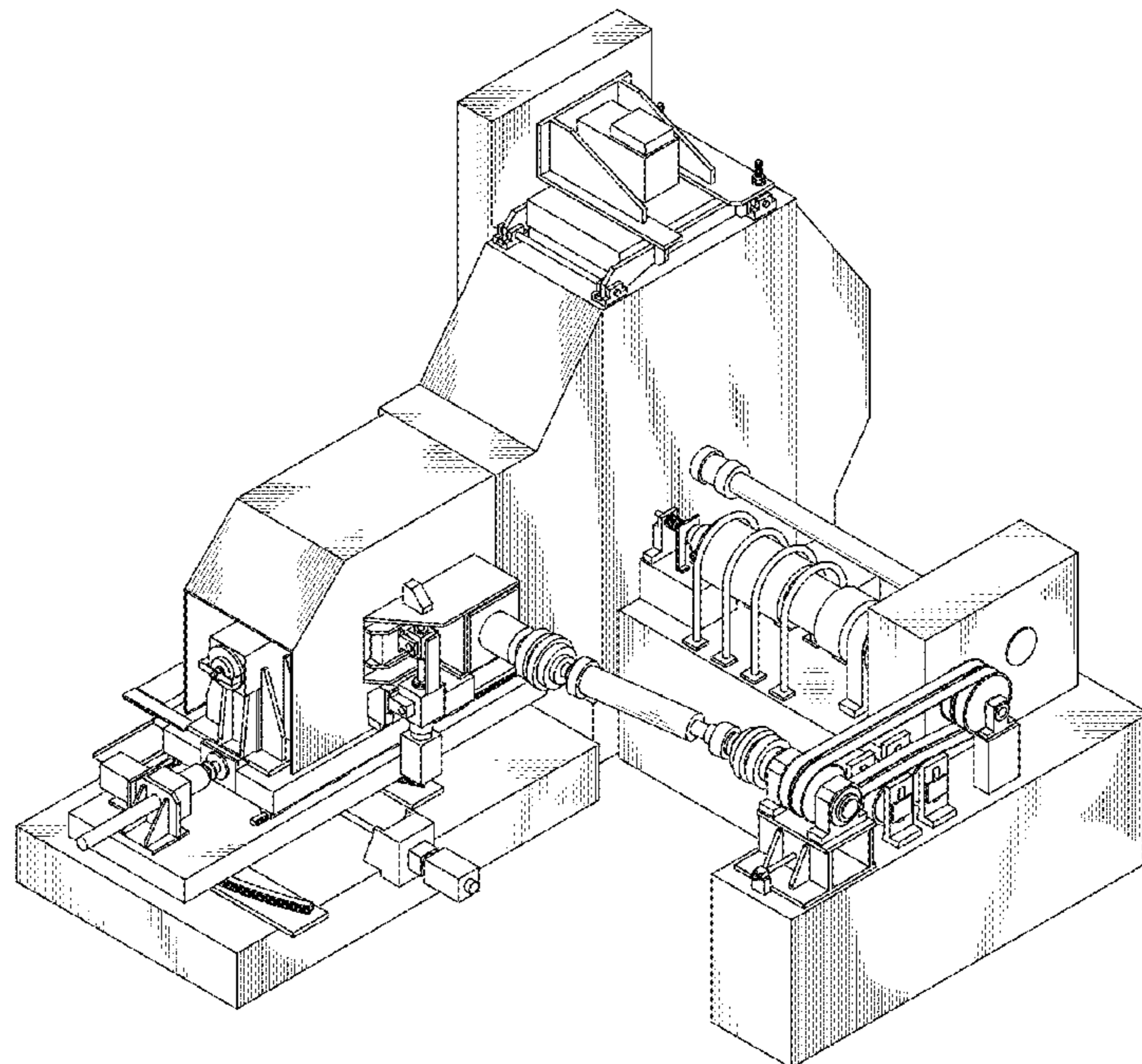
(51) **LOC (12) Cl.** **10-04**

(52) **U.S. Cl.**
USPC **D10/83**

(58) **Field of Classification Search**
USPC D10/81, 83, 75, 65; D15/199; D24/216
CPC G01R 1/0416; G01R 1/0466; B01L 1/00
See application file for complete search history.

FIG. 1 is a front view;
FIG. 2 is a back view thereof;
FIG. 3 is a left side view thereof;
FIG. 4 is a right side view thereof;
FIG. 5 is top view thereof;
FIG. 6 is a front, top, left perspective view thereof; and,
FIG. 7 is a back, top, right perspective view thereof.
The bottom of the design is flat and unadorned, and thus disclaimed.

1 Claim, 7 Drawing Sheets



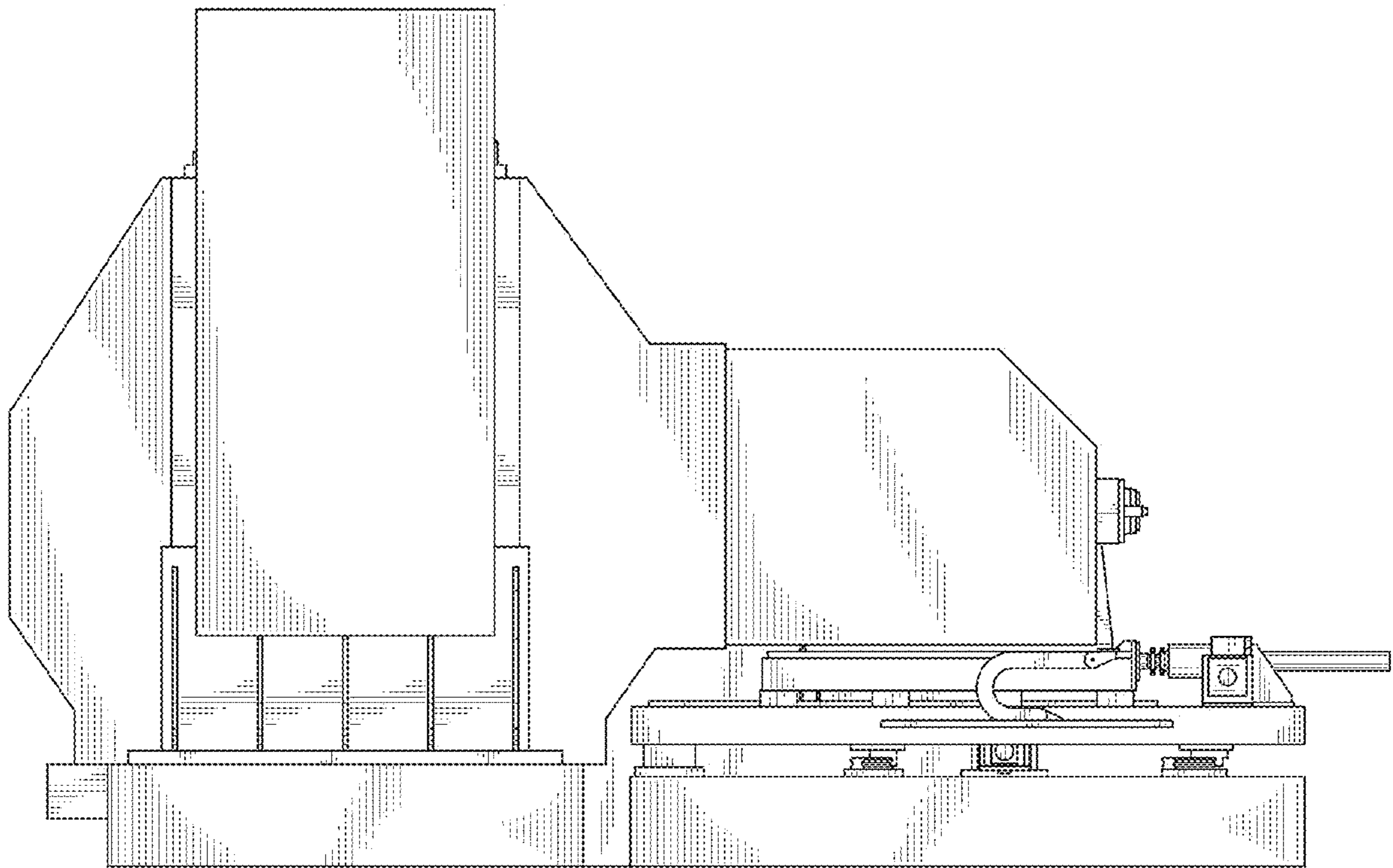


FIG. 1

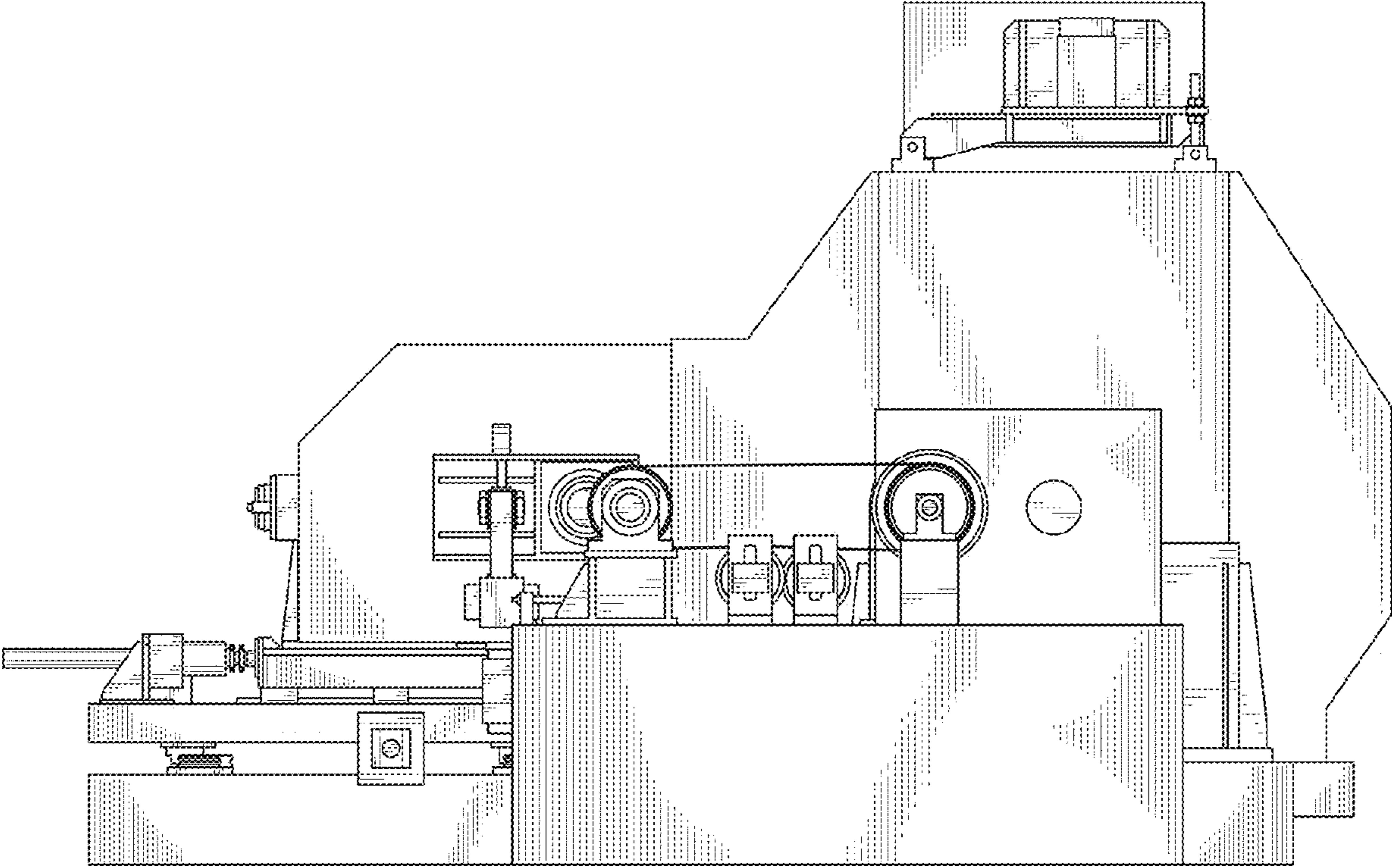


FIG. 2

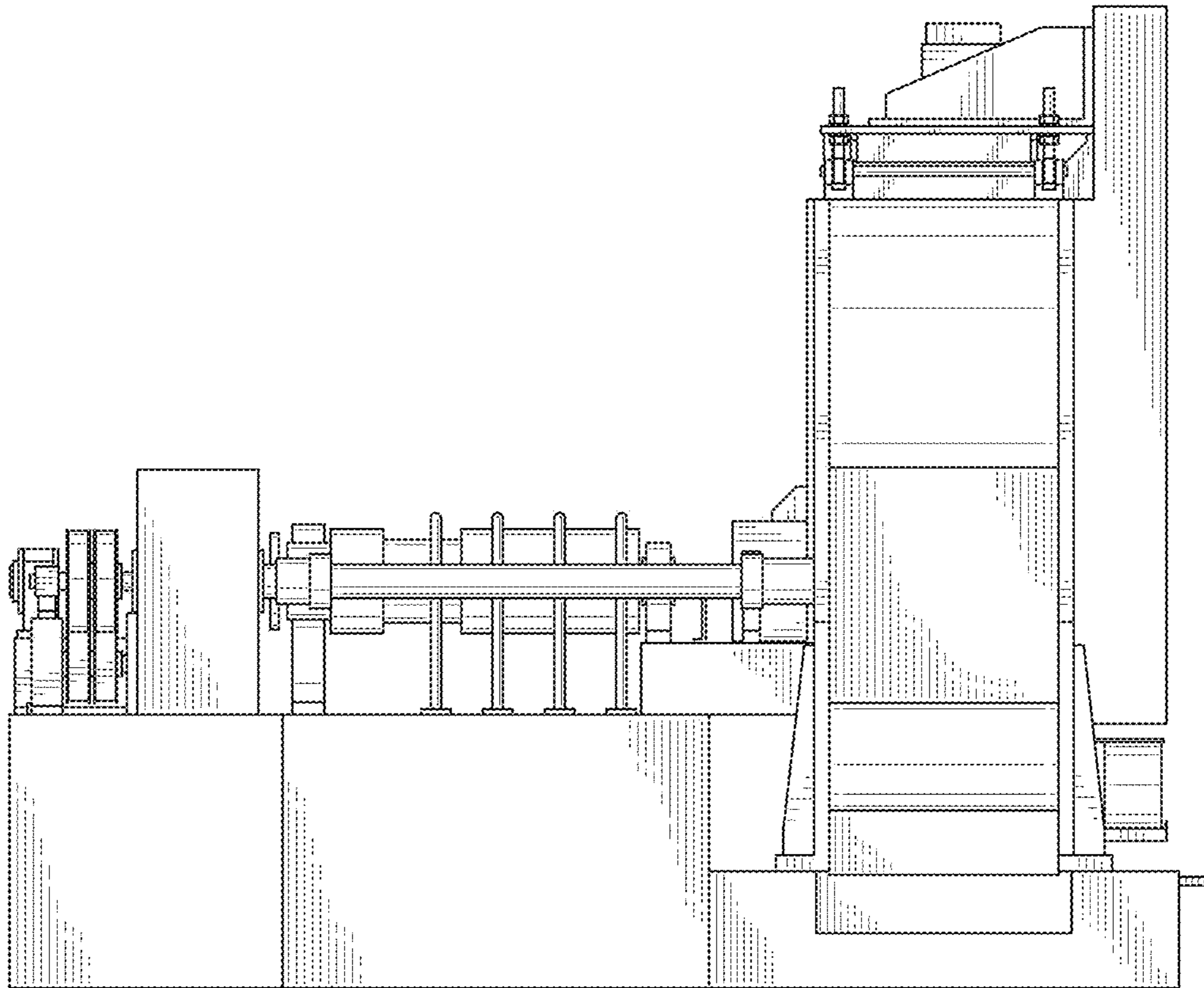


FIG. 3

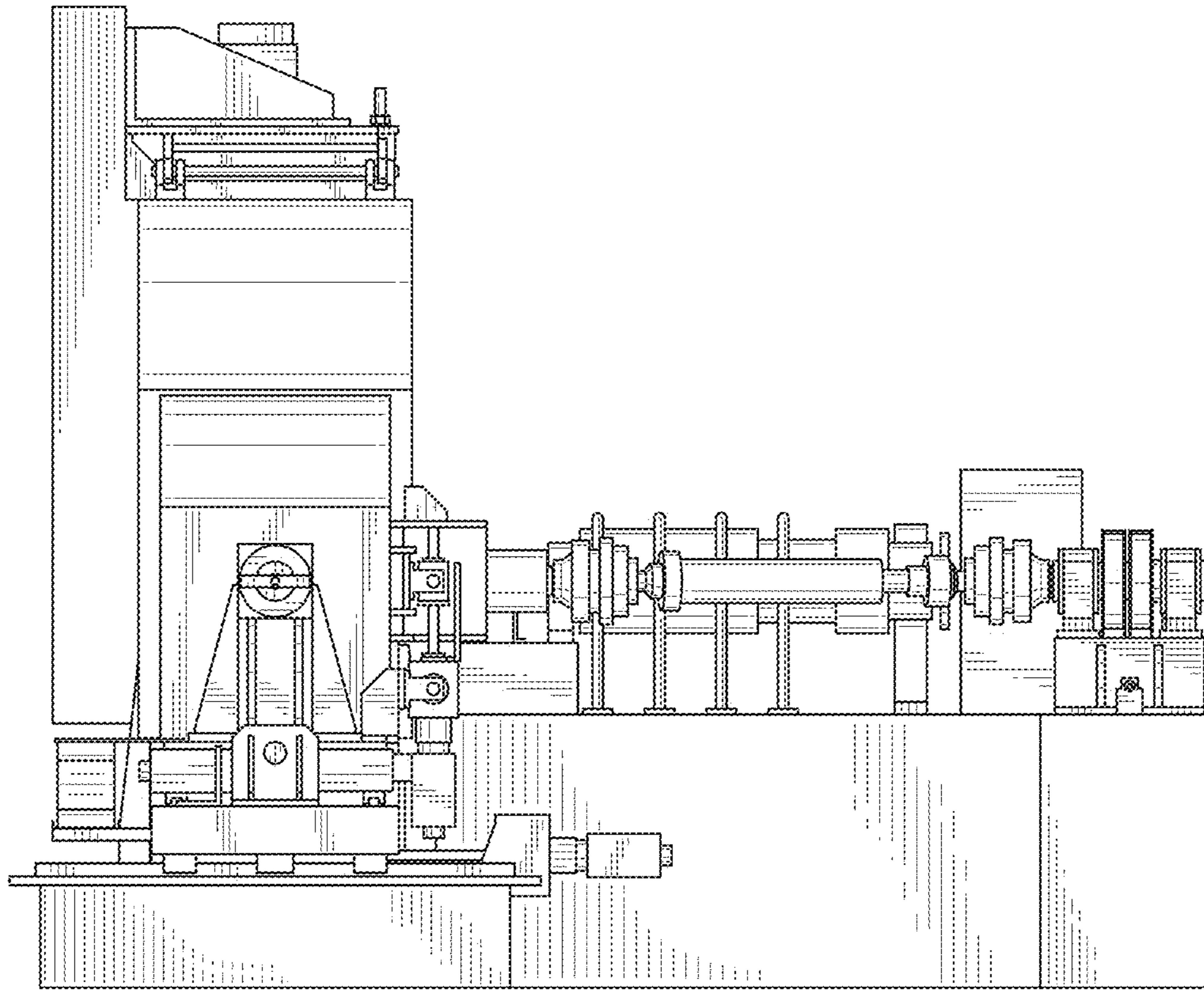


FIG. 4

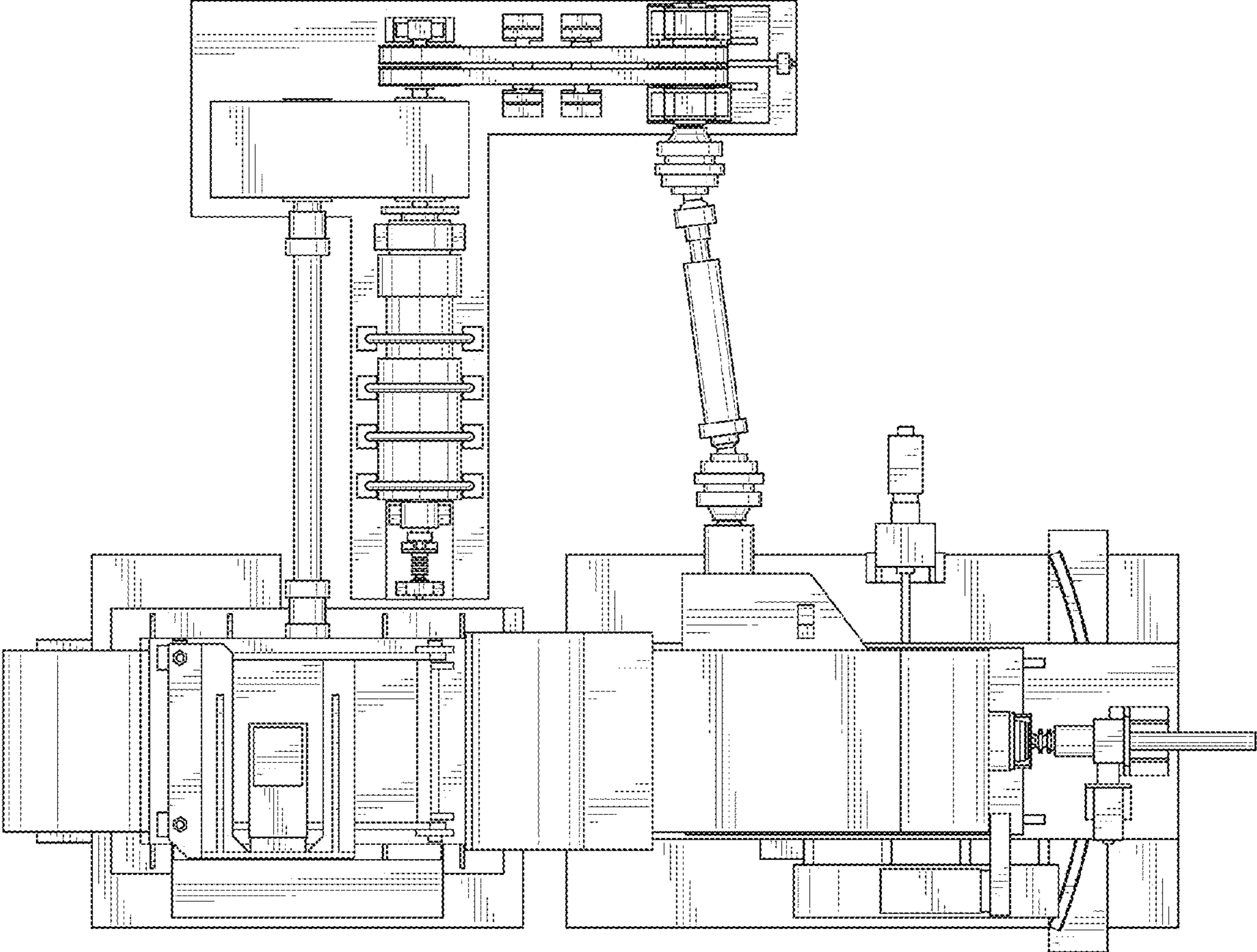


FIG. 5

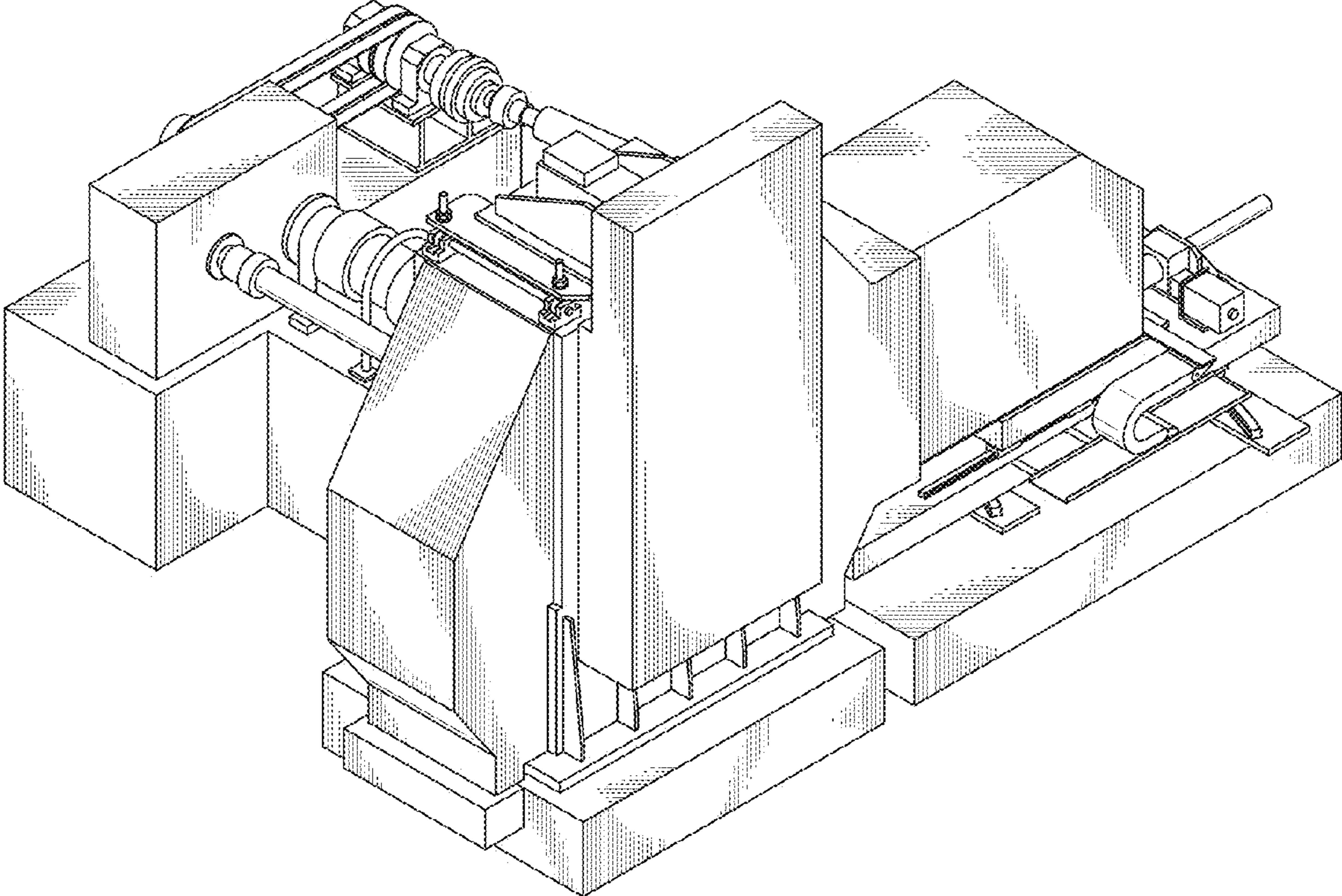


FIG. 6

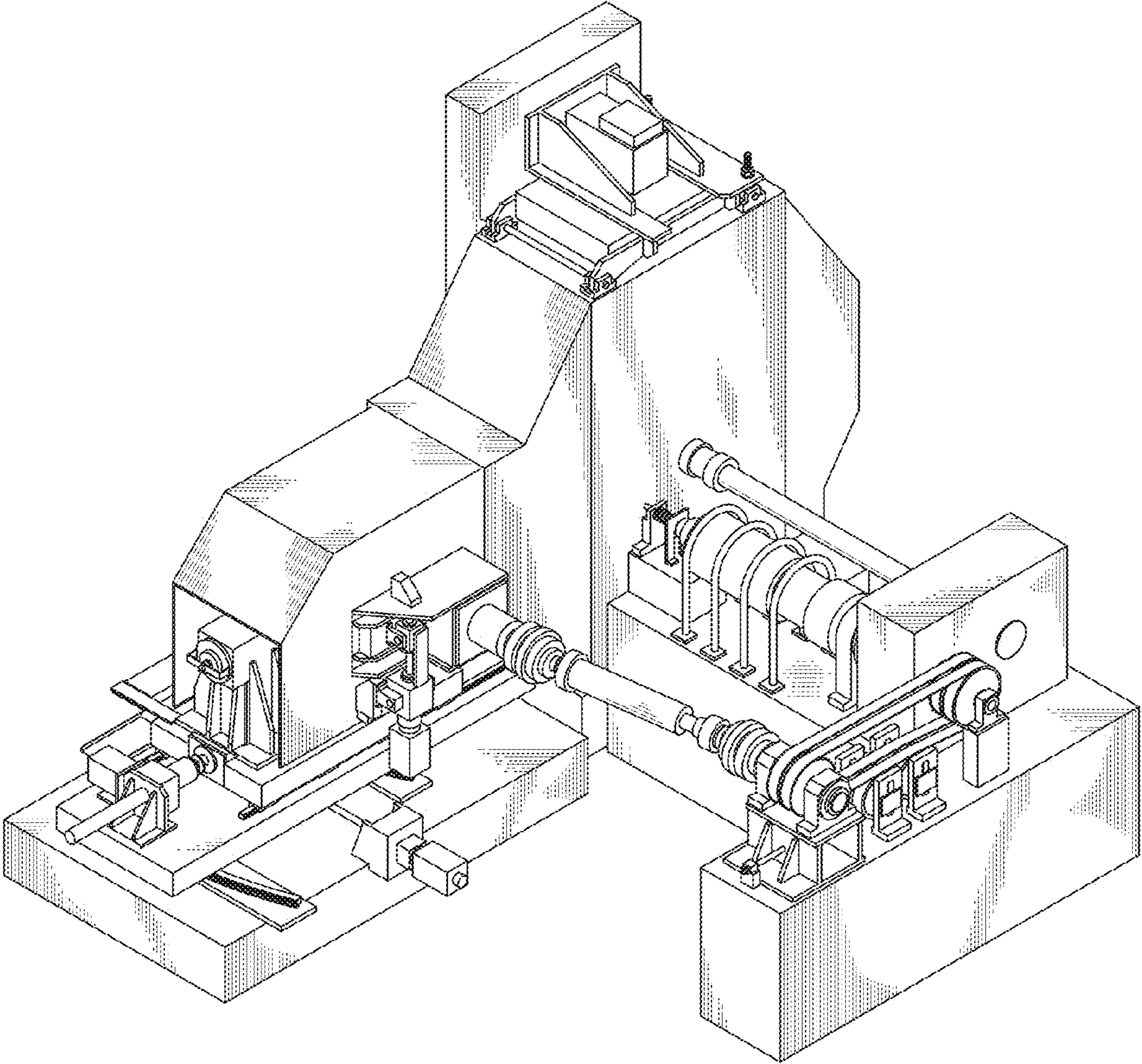


FIG. 7