



US00D899278S

(12) **United States Design Patent**
Chaumont et al.

(10) **Patent No.:** **US D899,278 S**

(45) **Date of Patent:** **** Oct. 20, 2020**

(54) **ASSET TRACKING EQUIPMENT HOUSING**

G09F 3/205; G09F 3/206; G09F 3/207;
G09F 3/208; H01Q 1/007; H01Q 1/273;
H01Q 1/42

(71) Applicant: **ZEBRA TECHNOLOGIES CORPORATION**, Lincolnshire, IL (US)

See application file for complete search history.

(72) Inventors: **Chad Chaumont**, Mount Sinai, NY (US); **Ian R. Jenkins**, Stony Brook, NY (US)

(56) **References Cited**

U.S. PATENT DOCUMENTS

(73) Assignee: **Zebra Technologies Corporation**, Lincolnshire, IL (US)

D468,654 S	1/2003	Wunsch	
D573,053 S	7/2008	Bandringa et al.	
D657,275 S	4/2012	Cowles et al.	
D662,846 S	7/2012	Ni et al.	
9,112,276 B2 *	8/2015	Desclos	H01Q 1/42
D773,330 S *	12/2016	Dietz	D10/106.5
D848,292 S *	5/2019	Laurans	D10/70

(**) Term: **15 Years**

* cited by examiner

(21) Appl. No.: **29/682,462**

Primary Examiner — Antoine Duval Davis

(22) Filed: **Mar. 5, 2019**

(57) **CLAIM**

(51) **LOC (12) Cl.** **10-04**

We claim the ornamental design for an asset tracking equipment housing, as shown and described.

(52) **U.S. Cl.**

USPC **D10/70; D10/106.9**

DESCRIPTION

(58) **Field of Classification Search**

USPC **D10/70, 106.9**

CPC **G08B 13/126; G08B 13/128; G08B 13/14;**

G08B 13/1427; G08B 13/1409; G08B

13/1436; G08B 13/1445; G08B 13/1463;

G08B 13/1472; G08B 13/1481; G08B

13/149; G08B 13/2428; G08B 13/2434;

G08B 13/2437; G08B 21/24; G08B

13/19678; G08B 13/1968; G08B

13/19682; G08B 13/19684; G08B

13/19686; G08B 13/19689; G08B

13/19691; G08B 13/19695; G09F 3/18;

G09F 3/185; G09F 3/20; G09F 3/201;

G09F 3/202; G09F 3/203; G09F 3/204;

FIG. 1 is a bottom perspective view of an example asset tracking equipment housing;

FIG. 2 is a top perspective view thereof;

FIG. 3 is a front view thereof;

FIG. 4 is a rear view thereof;

FIG. 5 is a first side view thereof;

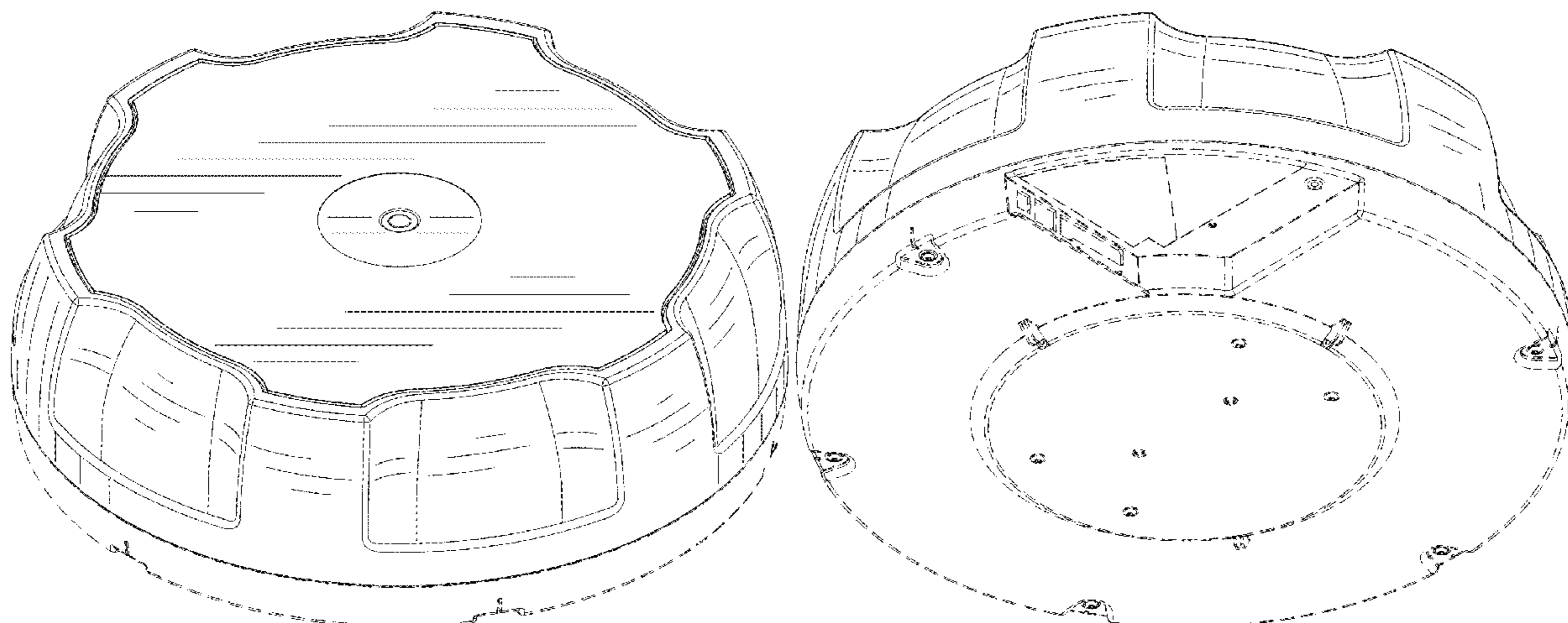
FIG. 6 is a second side view thereof;

FIG. 7 is a bottom view thereof; and,

FIG. 8 is a top view thereof.

Broken lines of a particular embodiment are for purposes of illustrating environment and form no part of the design claimed in that embodiment.

1 Claim, 6 Drawing Sheets



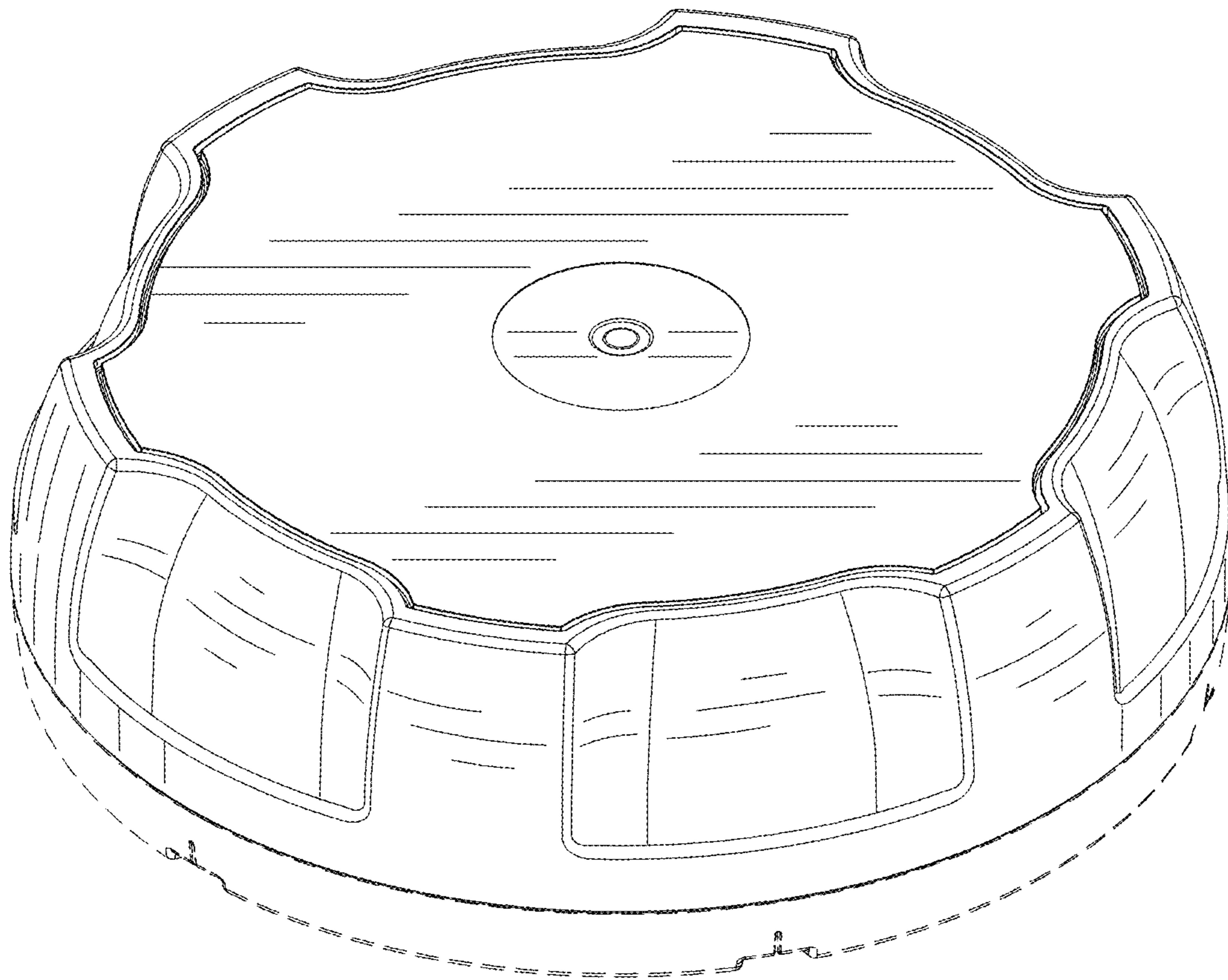


FIG. 1

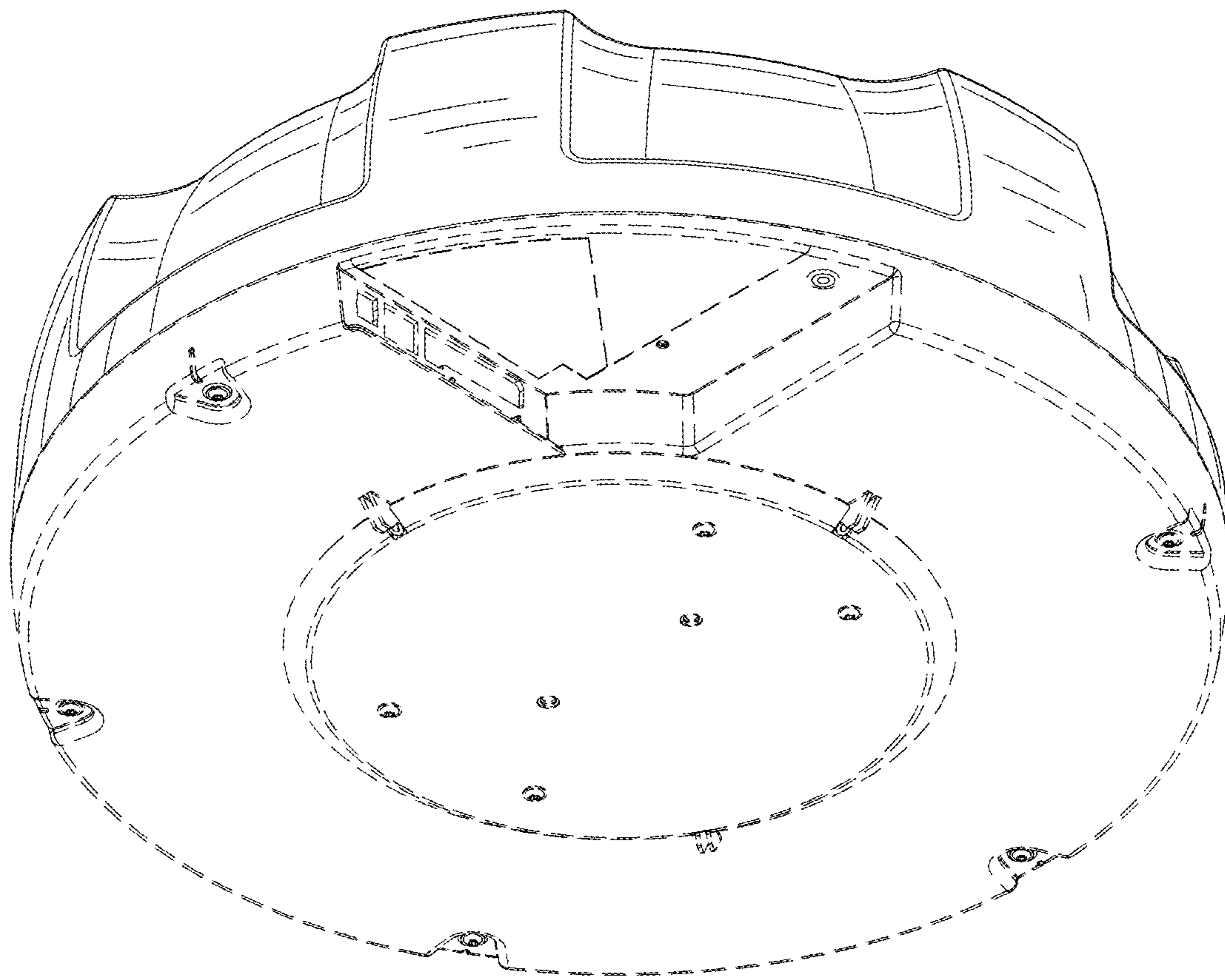


FIG. 2

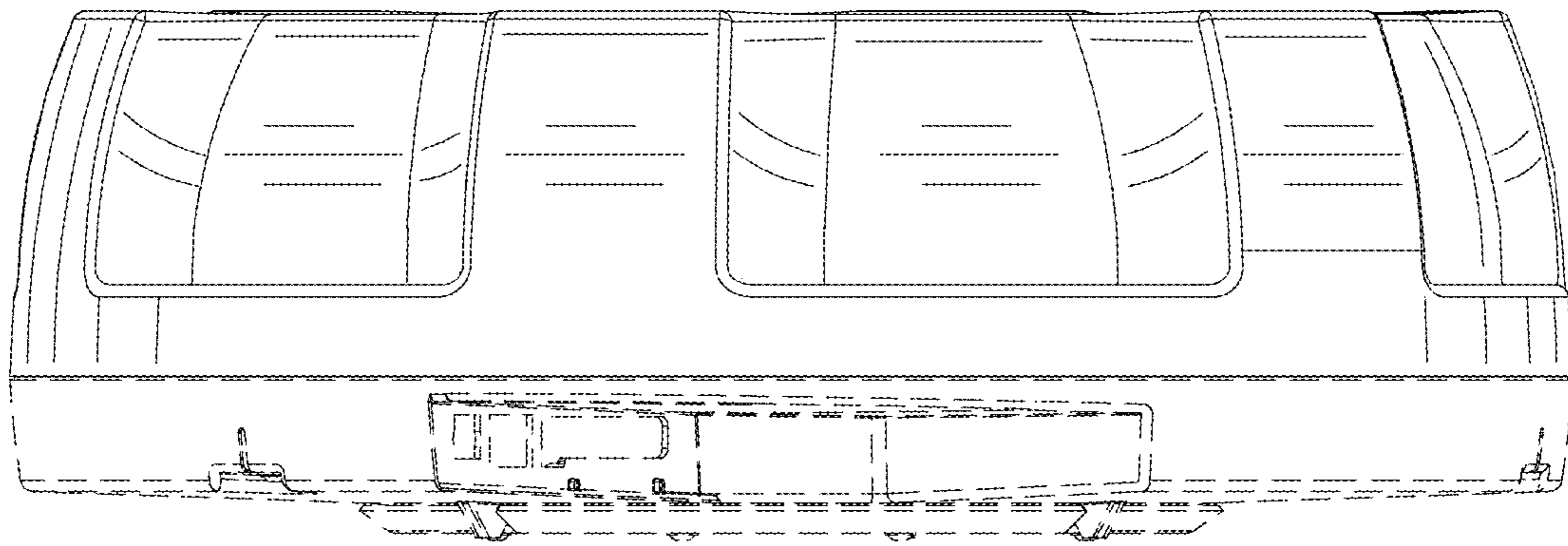


FIG. 3

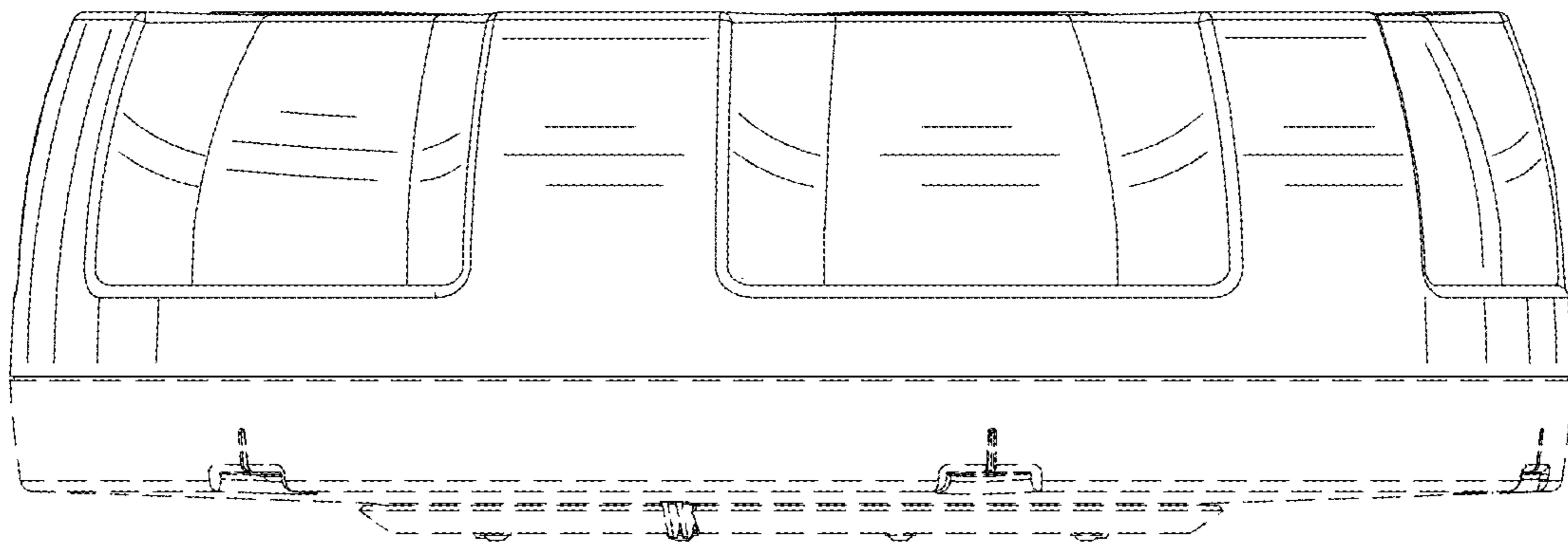


FIG. 4

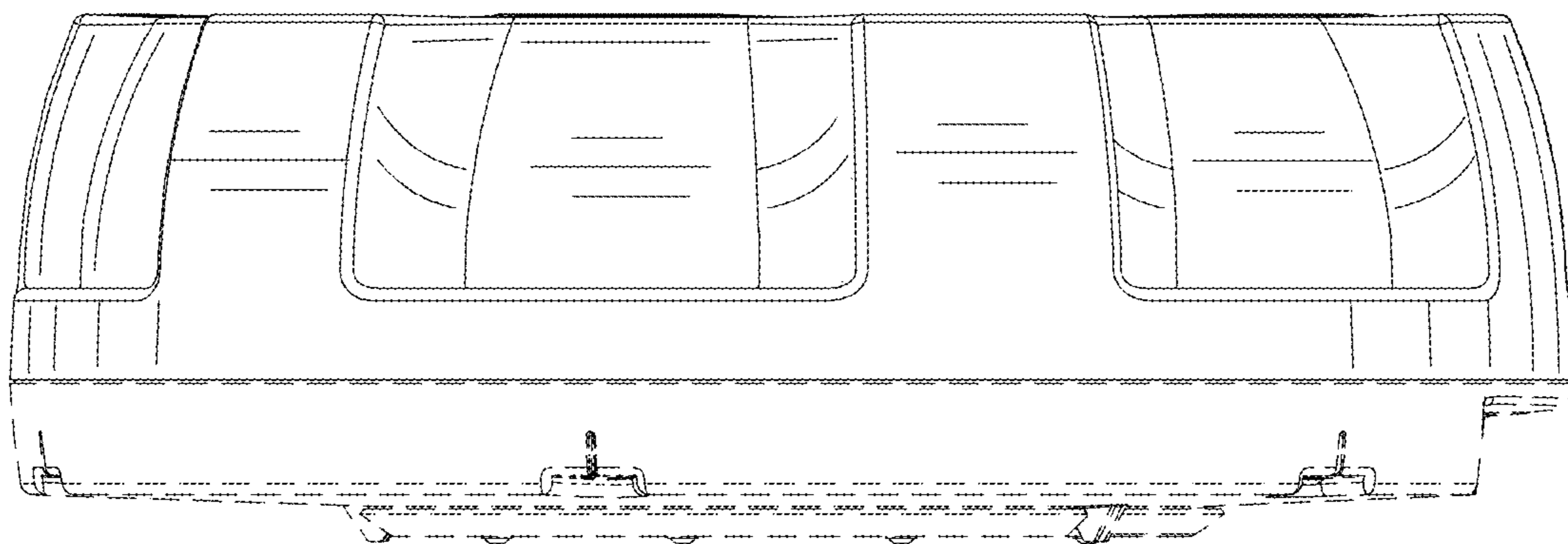


FIG. 5

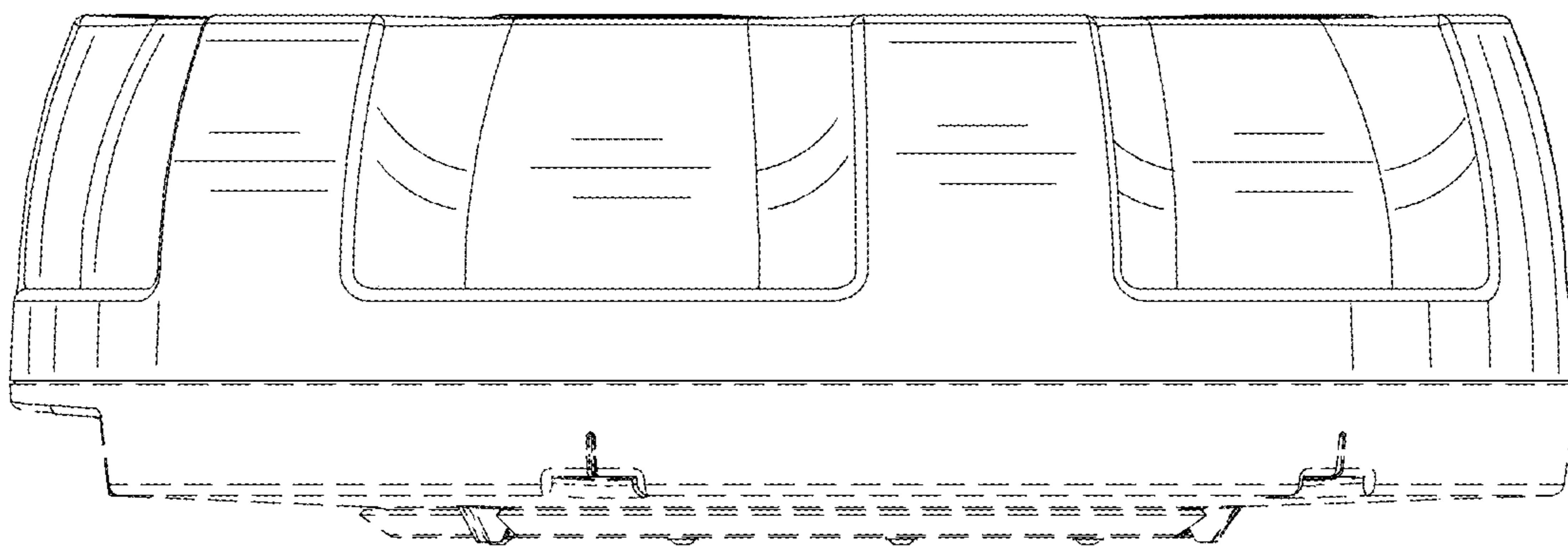


FIG. 6

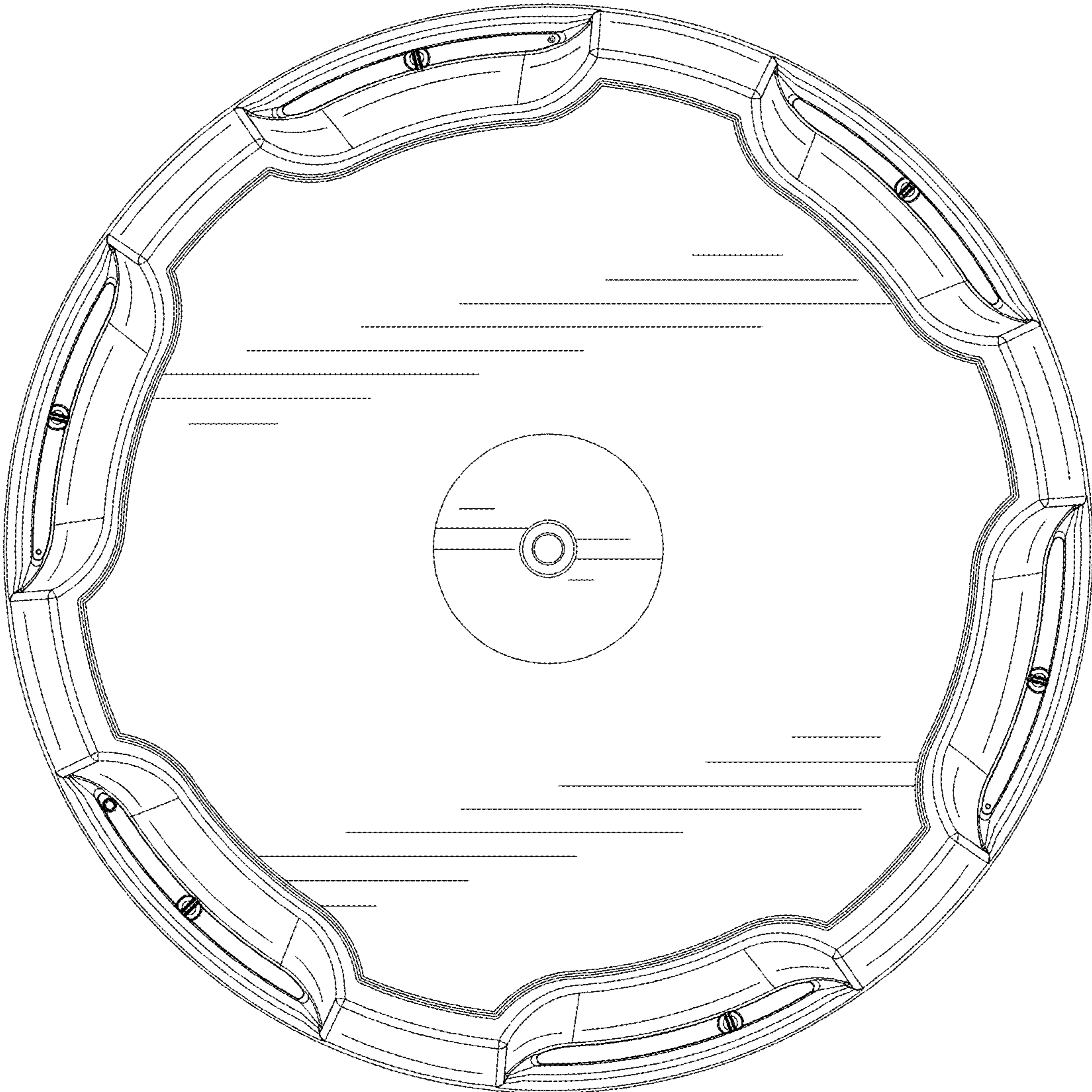


FIG. 7

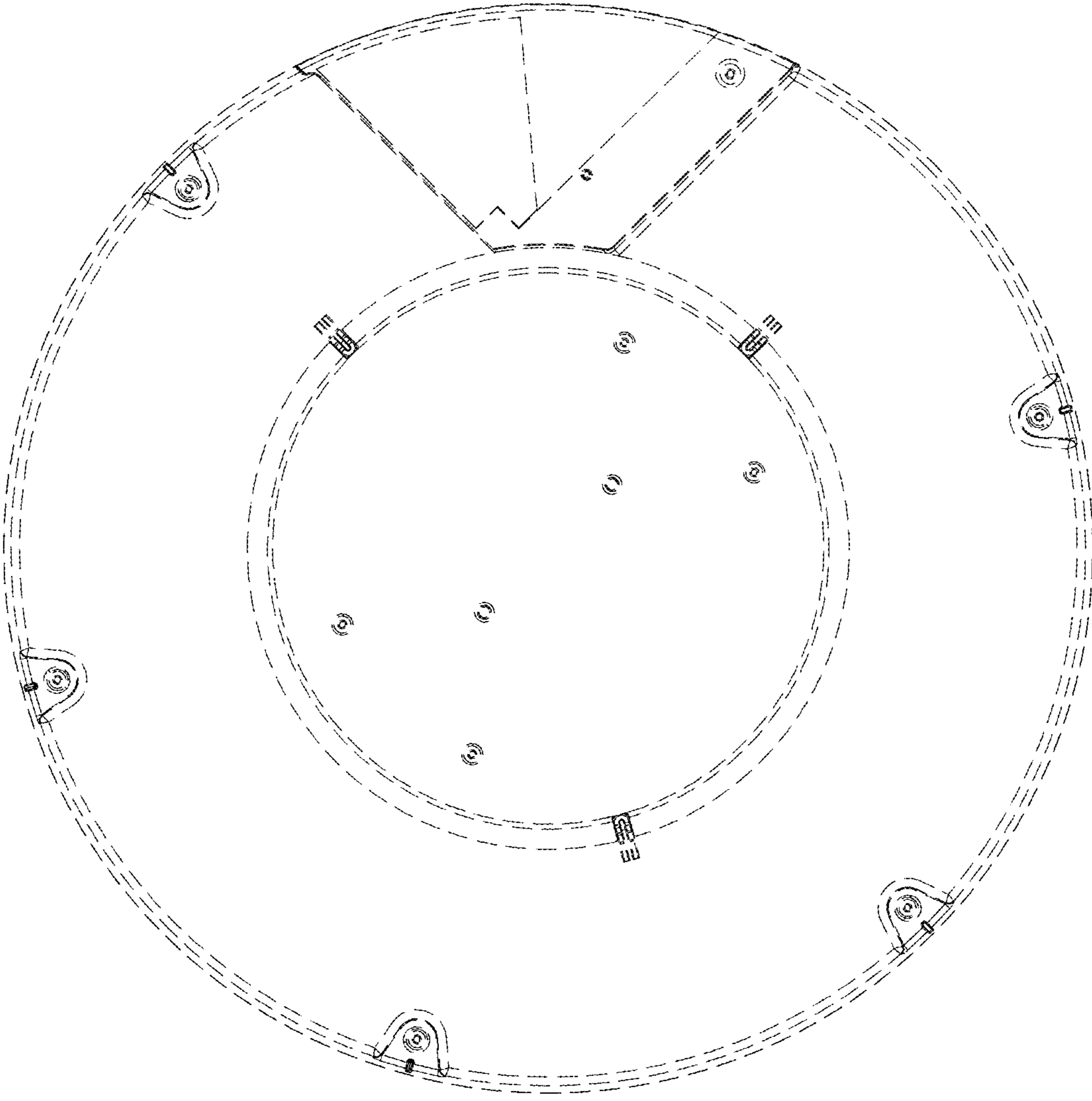


FIG. 8