



US00D899277S

(12) **United States Design Patent**  
**Wang**

(10) **Patent No.:** **US D899,277 S**

(45) **Date of Patent:** **\*\* Oct. 20, 2020**

- (54) **FOOD THERMOMETER**
- (71) Applicant: **FINEMOLD TECHNOLOGIES CO., LIMITED**, Shenzhen (CN)
- (72) Inventor: **Baohong Wang**, Shaoyang (CN)
- (\*\*) Term: **15 Years**
- (21) Appl. No.: **29/737,524**
- (22) Filed: **Jun. 10, 2020**
- (51) **LOC (12) Cl.** ..... **10-04**
- (52) **U.S. Cl.**  
USPC ..... **D10/57**
- (58) **Field of Classification Search**  
USPC ..... D10/57, 58  
CPC ..... G01K 2207/02; G01K 2207/04; G01K 2207/06; G01K 2207/08  
See application file for complete search history.

- D765,523 S \* 9/2016 Chapman ..... G01K 1/024 D10/57
- 10,074,255 B2 \* 9/2018 Prabhakar ..... G01N 33/0075 D10/57
- D837,669 S \* 1/2019 Yu ..... D10/57
- D840,846 S 2/2019 Liu
- D841,492 S 2/2019 Liu
- D841,493 S \* 2/2019 Liu ..... D10/57
- D845,154 S \* 4/2019 Yu ..... D10/57
- D847,006 S \* 4/2019 Hu ..... D10/57
- D853,254 S \* 7/2019 Zemel ..... D10/57
- D885,943 S \* 6/2020 Yu ..... D10/57
- D891,949 S \* 8/2020 Yi ..... D10/57

\* cited by examiner

*Primary Examiner* — Antoine Duval Davis

(74) *Attorney, Agent, or Firm* — Erson IP (Nelson IP)

(57) **CLAIM**

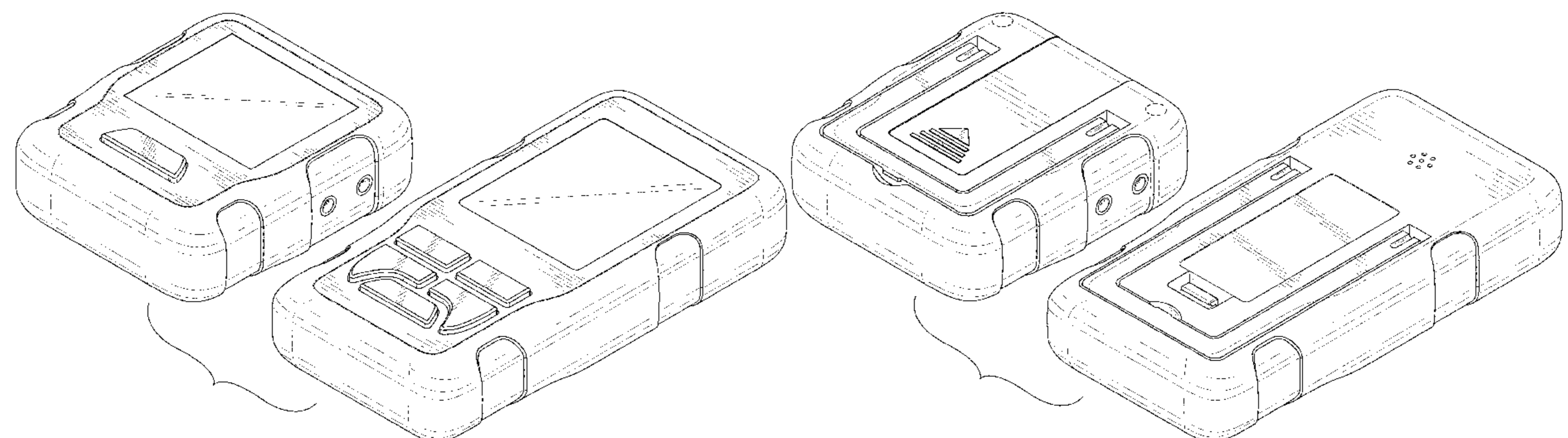
The ornamental design for a food thermometer, as shown and described.

**DESCRIPTION**

FIG. 1 is a perspective view of a food thermometer showing my new design;  
 FIG. 2 is another perspective view thereof;  
 FIG. 3 is a front view thereof;  
 FIG. 4 is a rear view thereof;  
 FIG. 5 is a left side view thereof;  
 FIG. 6 is a right side view thereof;  
 FIG. 7 is a top plan view thereof; and,  
 FIG. 8 is a bottom plan view thereof.  
 The broken lines are for the purposes of illustrating portions of the food thermometer and form no part of the claimed design.

**1 Claim, 8 Drawing Sheets**

- (56) **References Cited**  
U.S. PATENT DOCUMENTS
- 6,568,848 B1 \* 5/2003 Chapman ..... G01K 1/024 340/870.17
- 7,201,099 B2 \* 4/2007 Harris, Jr. .... G01K 1/02 374/E1.002
- D579,800 S \* 11/2008 Mobley ..... D10/57
- D582,804 S \* 12/2008 Flandin ..... D10/57
- 7,648,268 B2 \* 1/2010 Yerlikaya ..... G01K 13/002 374/100
- 7,722,248 B1 \* 5/2010 Chapman ..... G01K 1/024 374/155
- D670,579 S \* 11/2012 Cooney ..... G01K 13/002 D10/57



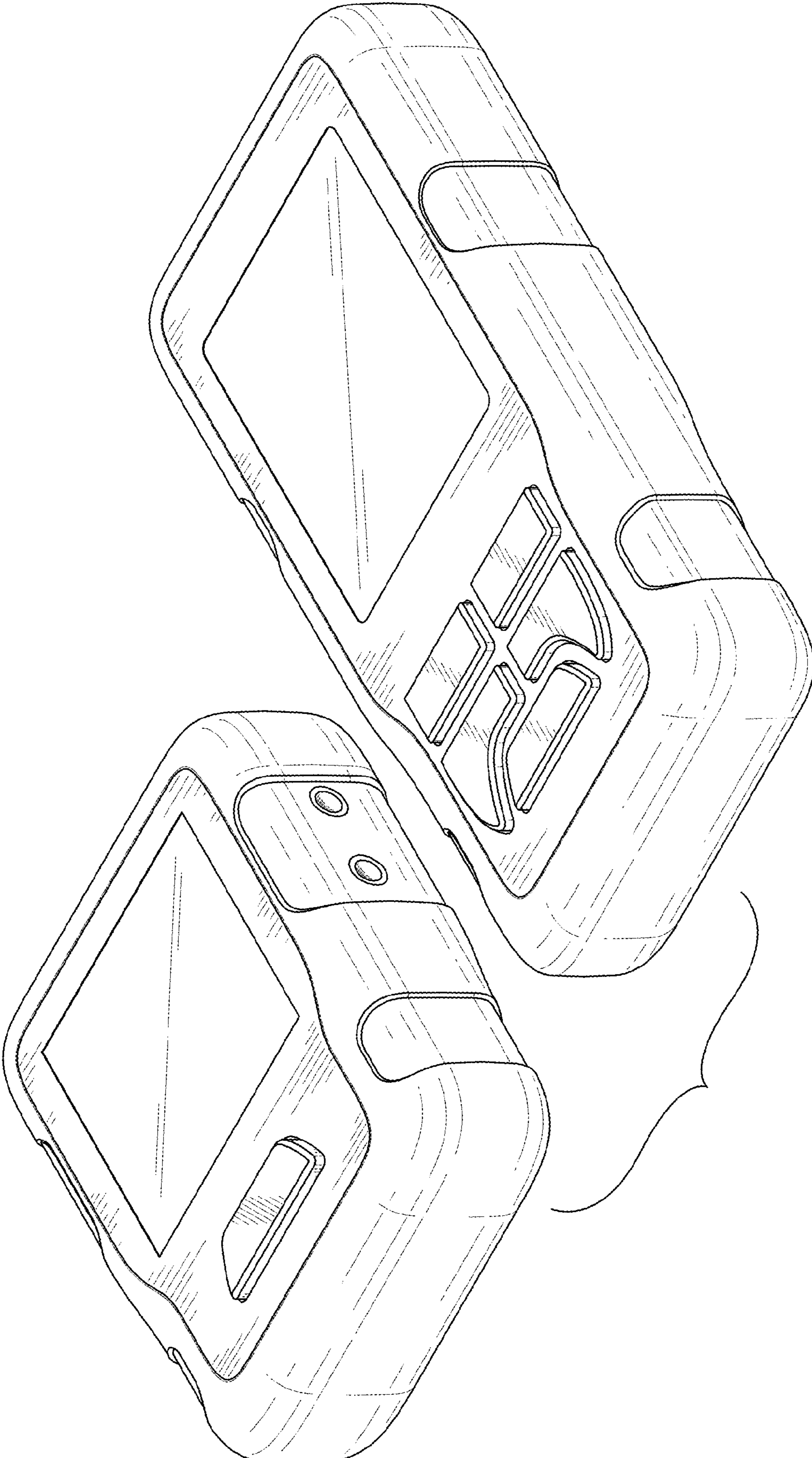


FIG. 1

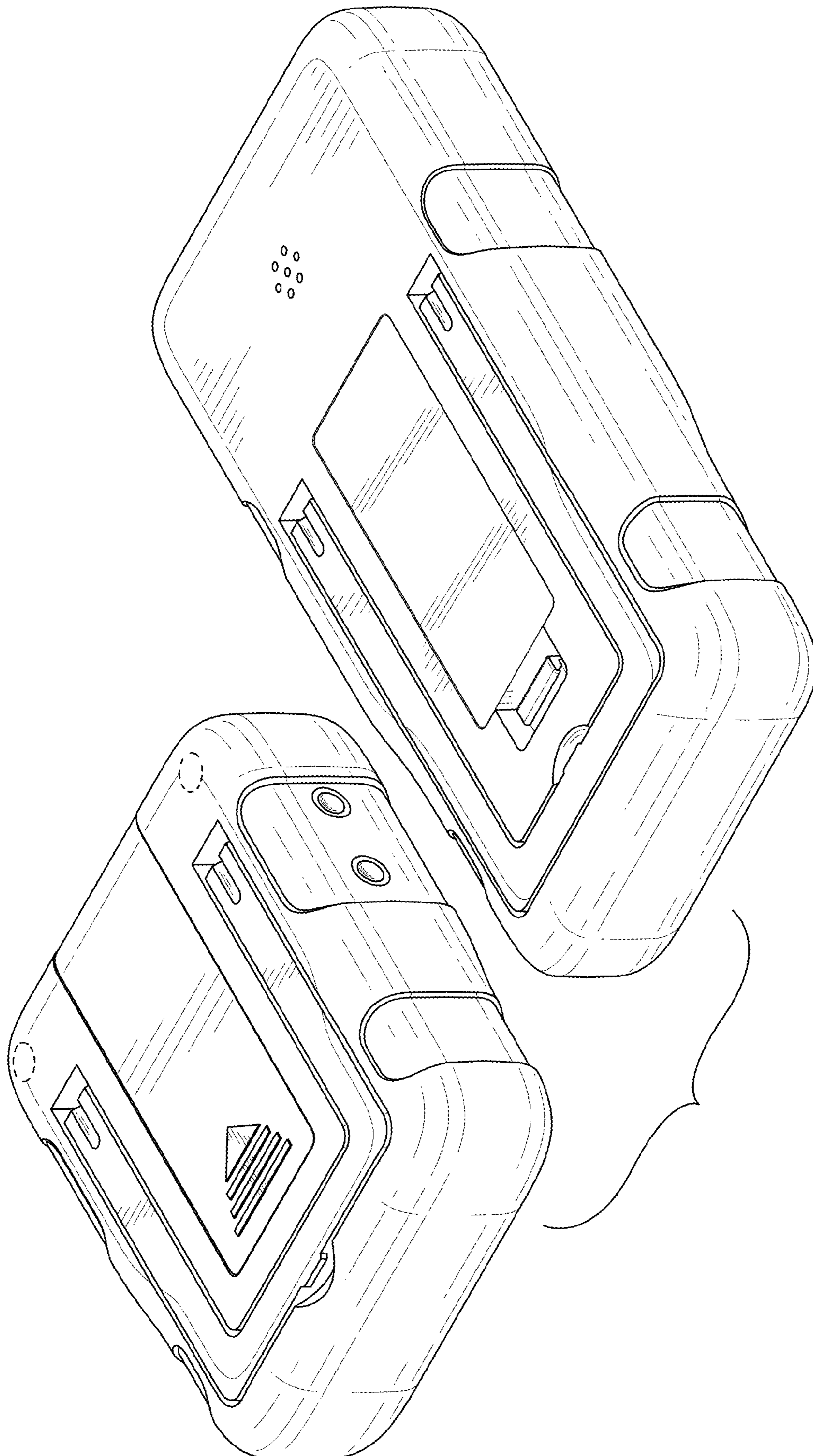


FIG. 2

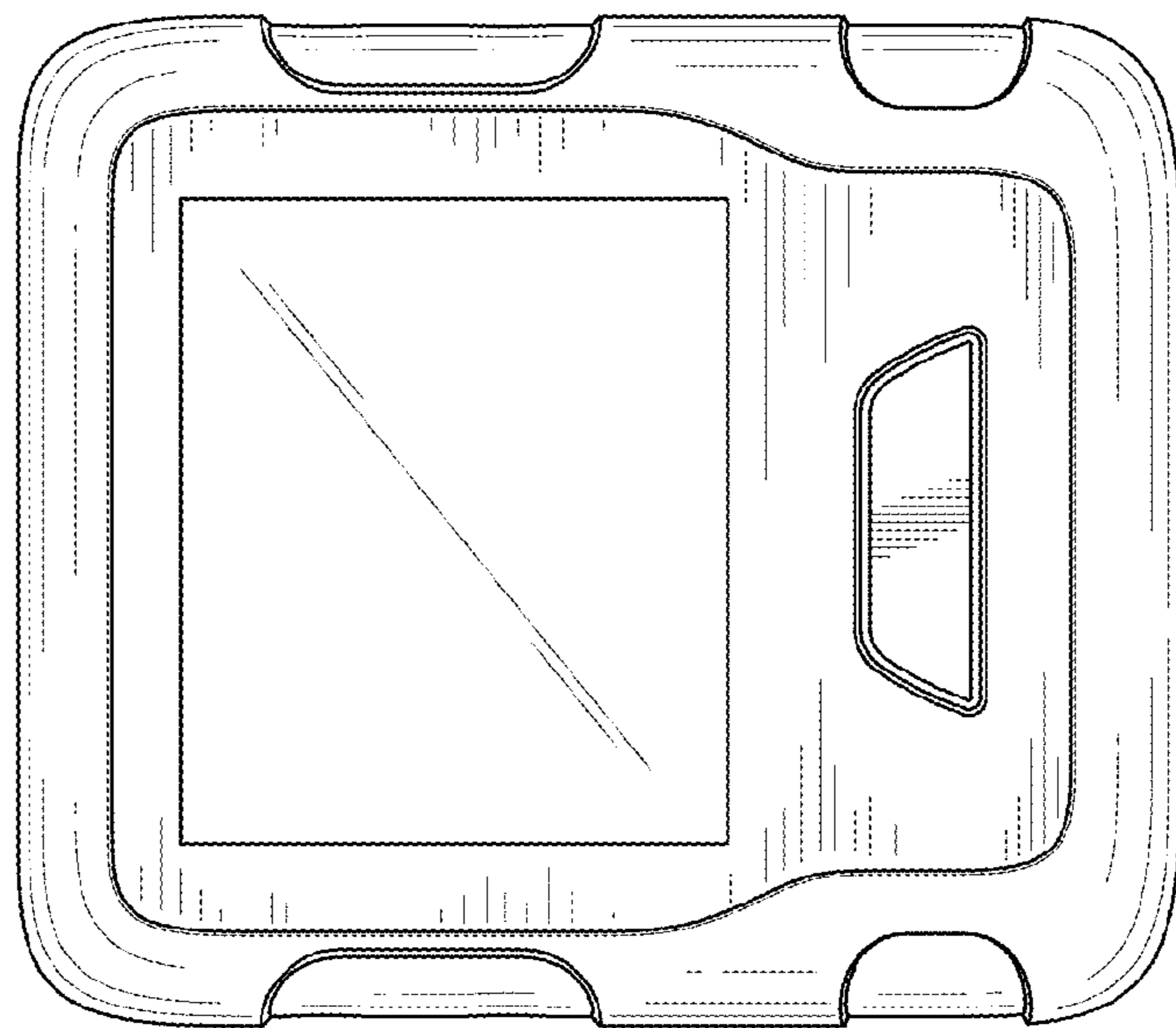
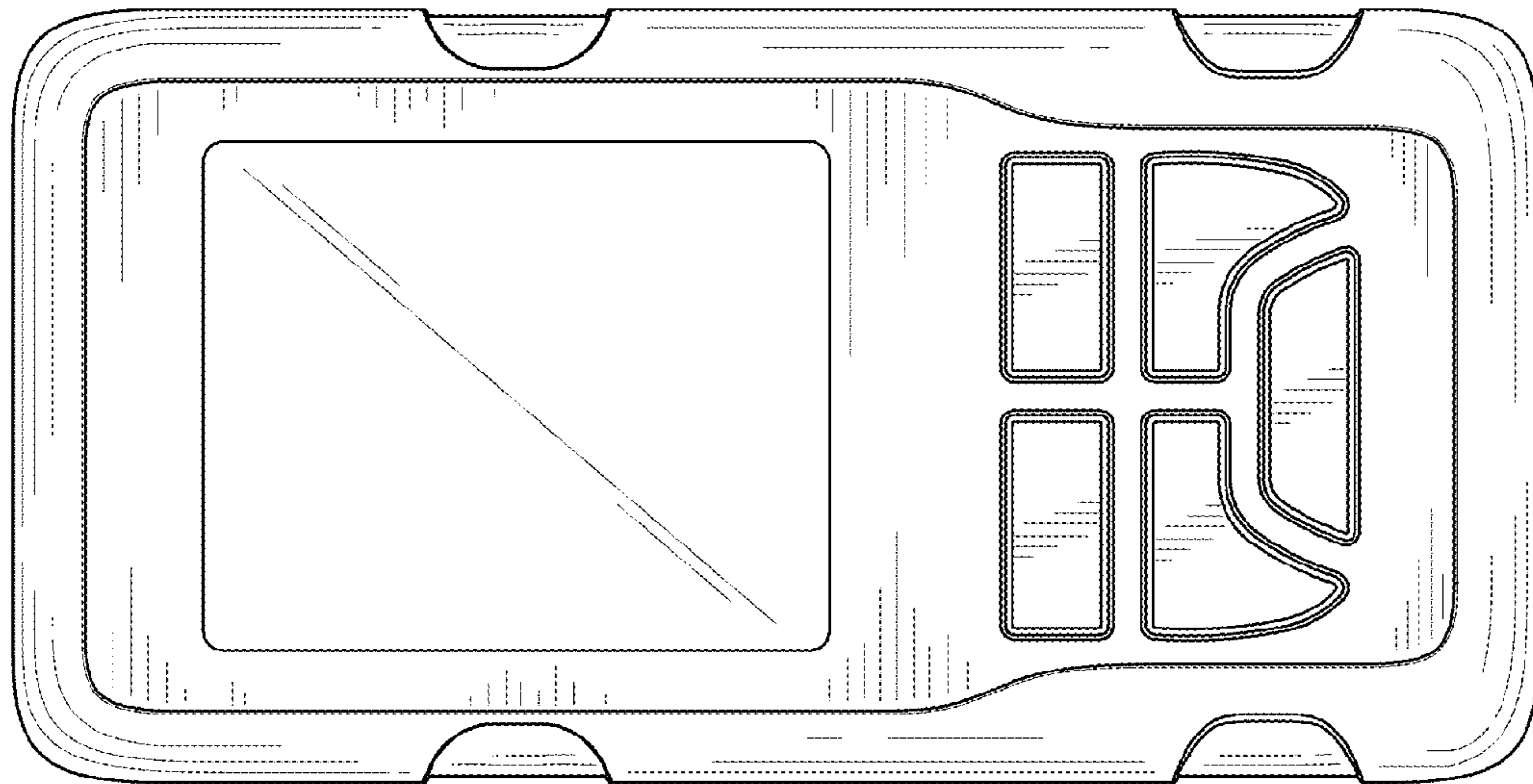


FIG. 3

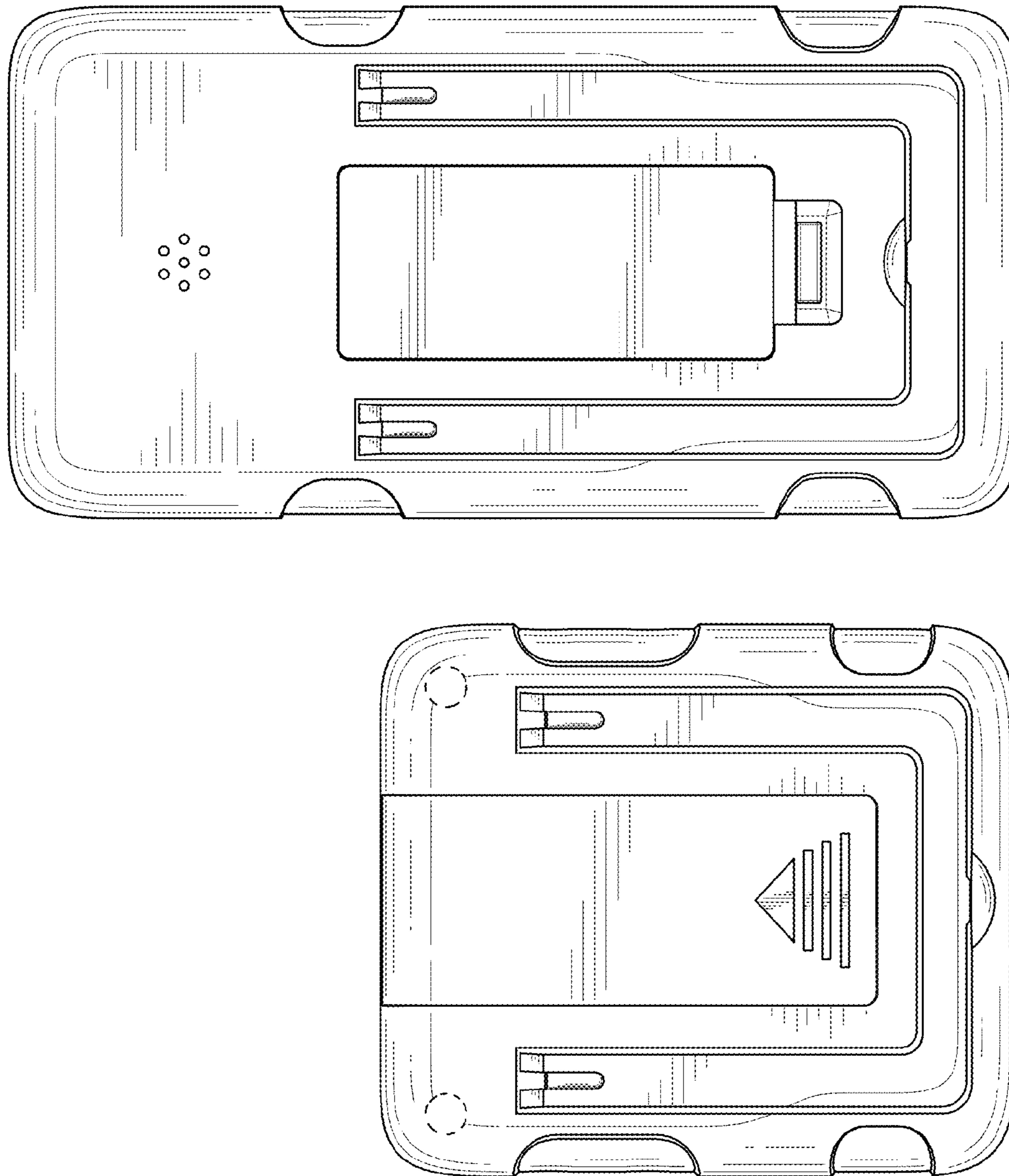


FIG. 4

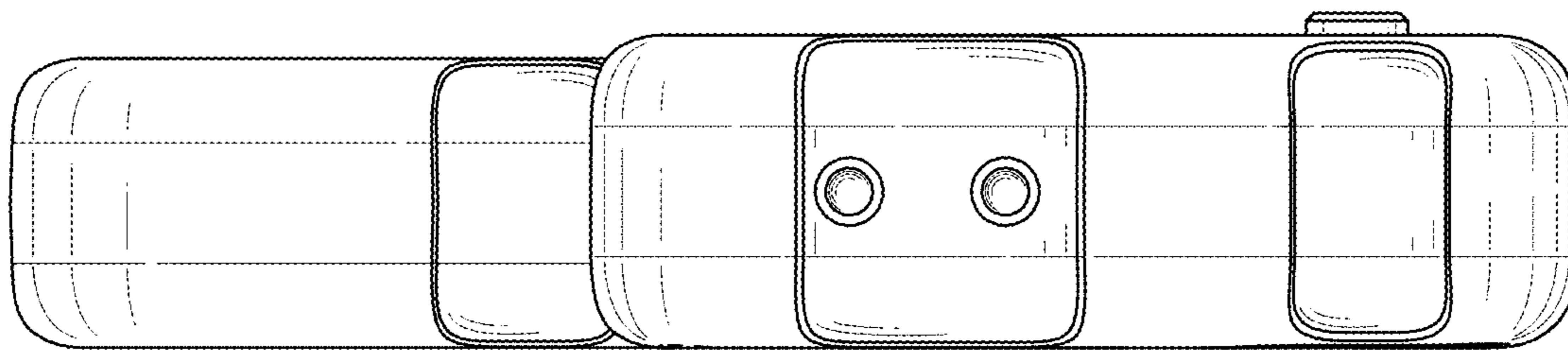


FIG. 5

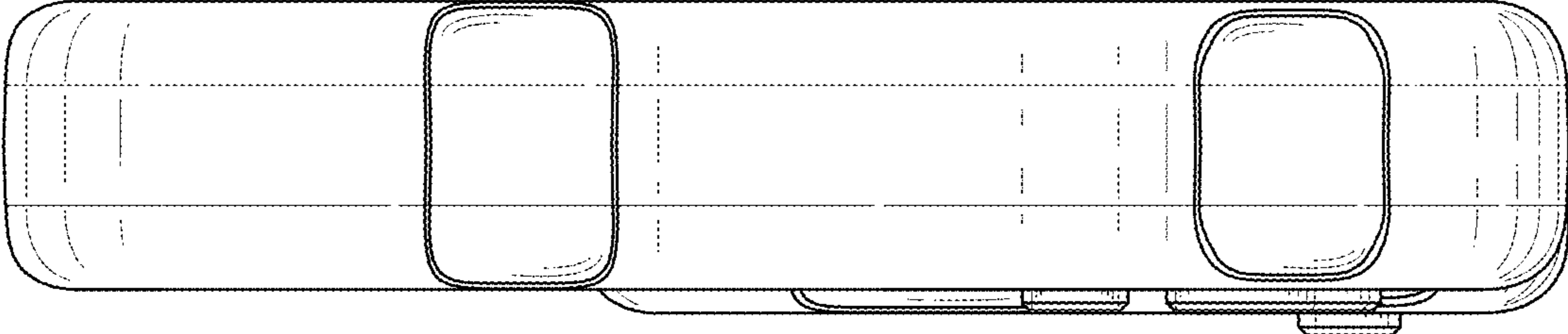


FIG. 6

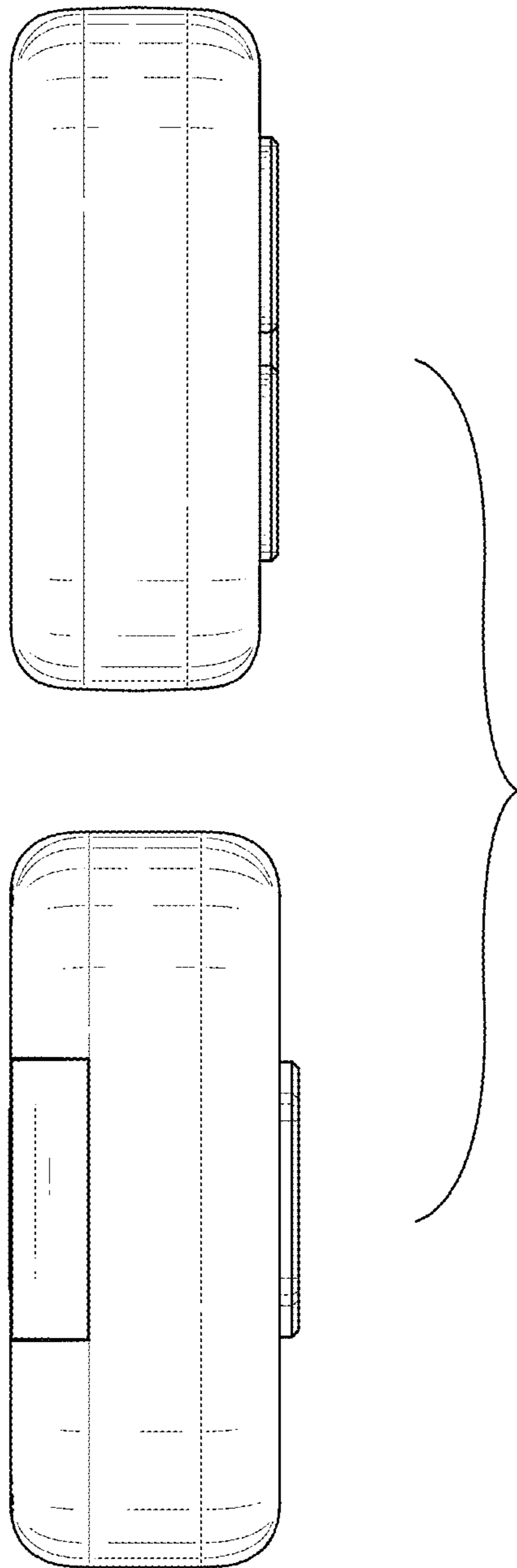


FIG. 7



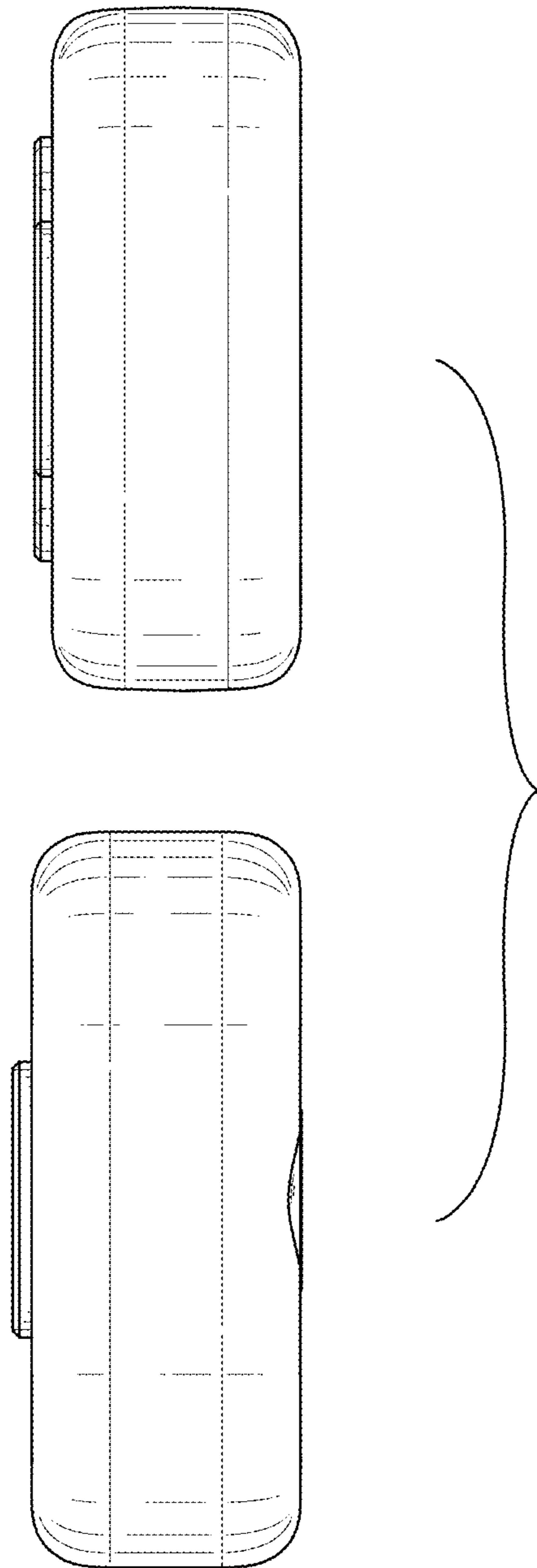


FIG. 8