



US00D899276S

(12) **United States Design Patent**  
**Zhang**

(10) **Patent No.:** **US D899,276 S**

(45) **Date of Patent:** **\*\* Oct. 20, 2020**

(54) **METAL DETECTOR**

3/265; G01V 3/28; G01V 3/30; G01V  
3/32; G01V 3/34; G01V 3/36; G01V  
3/38; G01V 3/40

(71) Applicant: **Weimin Zhang**, Shanghai (CN)

See application file for complete search history.

(72) Inventor: **Weimin Zhang**, Shanghai (CN)

(56) **References Cited**

(73) Assignee: **SHANGHAI KINGSTRONIC CO., LTD.**, Shanghai (CN)

U.S. PATENT DOCUMENTS

(\*\*) Term: **15 Years**

D844,462 S \* 4/2019 Griffin ..... D10/47  
D881,034 S 4/2020 Zhang

(21) Appl. No.: **29/737,307**

\* cited by examiner

(22) Filed: **Jun. 8, 2020**

*Primary Examiner* — Antoine Duval Davis

(51) **LOC (12) Cl.** ..... **10-04**

(74) *Attorney, Agent, or Firm* — Justin Lampel

(52) **U.S. Cl.**  
USPC ..... **D10/47**

(57) **CLAIM**

The ornamental design for a metal detector, as shown and described.

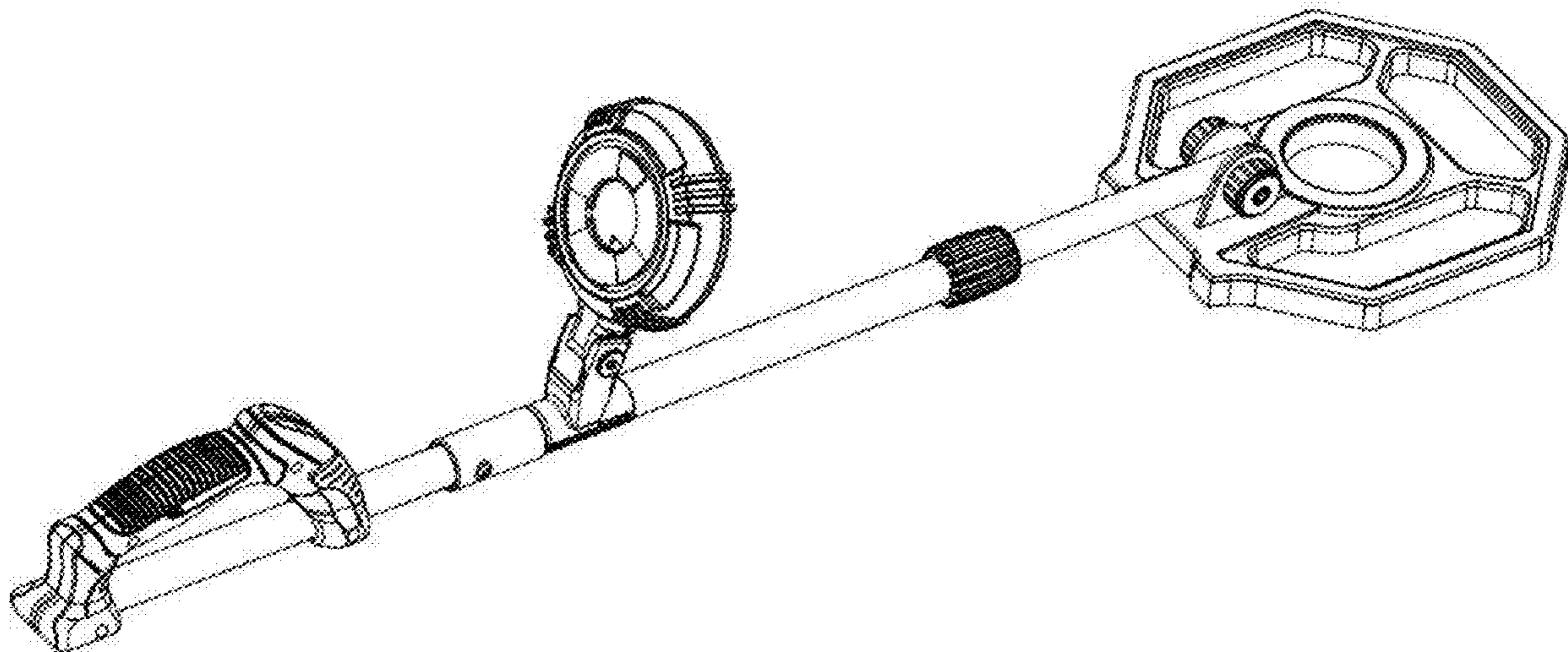
(58) **Field of Classification Search**  
USPC ..... D10/47

**DESCRIPTION**

CPC ... G01V 3/00; G01V 3/02; G01V 3/04; G01V  
3/06; G01V 3/08; G01V 3/081; G01V  
3/082; G01V 3/083; G01V 2003/084;  
G01V 2003/085; G01V 2003/086; G01V  
3/087; G01V 3/088; G01V 3/10; G01V  
3/101; G01V 3/102; G01V 3/104; G01V  
3/105; G01V 3/107; G01V 3/108; G01V  
3/12; G01V 3/14; G01V 3/15; G01V  
3/16; G01V 3/165; G01V 3/17; G01V  
3/175; G01V 3/18; G01V 3/20; G01V  
3/22; G01V 3/24; G01V 3/26; G01V

FIG. 1 is a perspective view of a metal detector showing the claimed design;  
FIG. 2 is a top plan view thereof;  
FIG. 3 is a rear elevational view thereof;  
FIG. 4 is a bottom plan view thereof;  
FIG. 5 is a right side view thereof;  
FIG. 6 is a front elevational view thereof; and,  
FIG. 7 is a left side view thereof.  
The broken lines depict portions of the design that form no part of the claimed design.

**1 Claim, 3 Drawing Sheets**



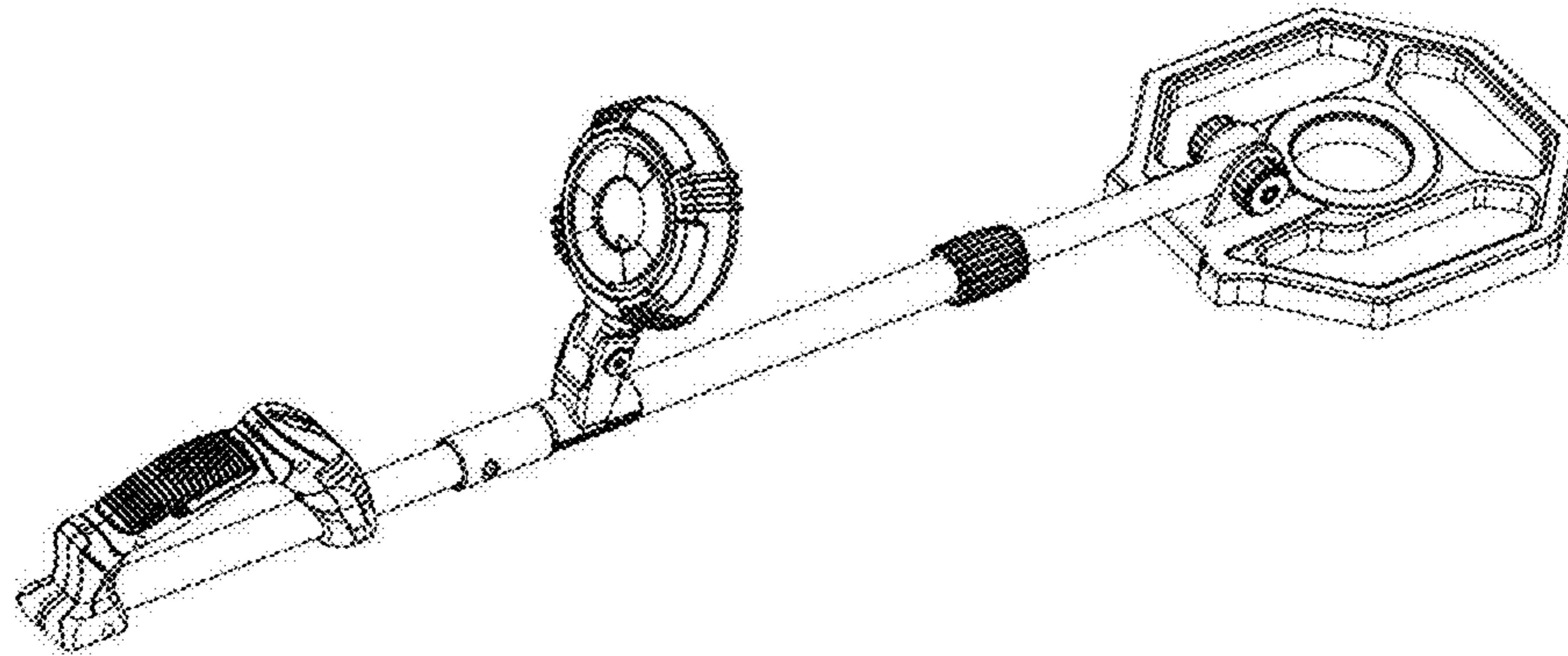


FIG. 1

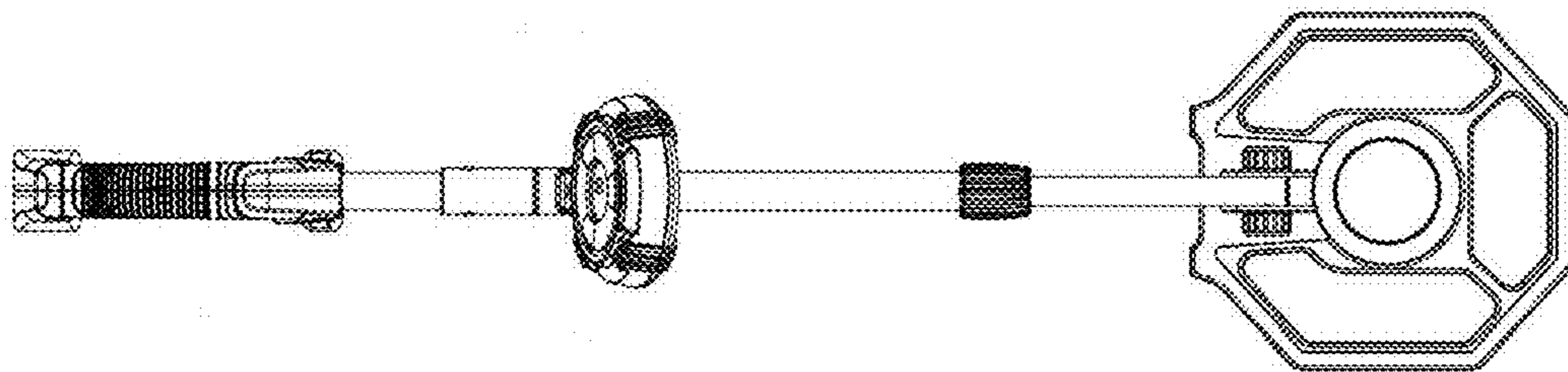


FIG. 2

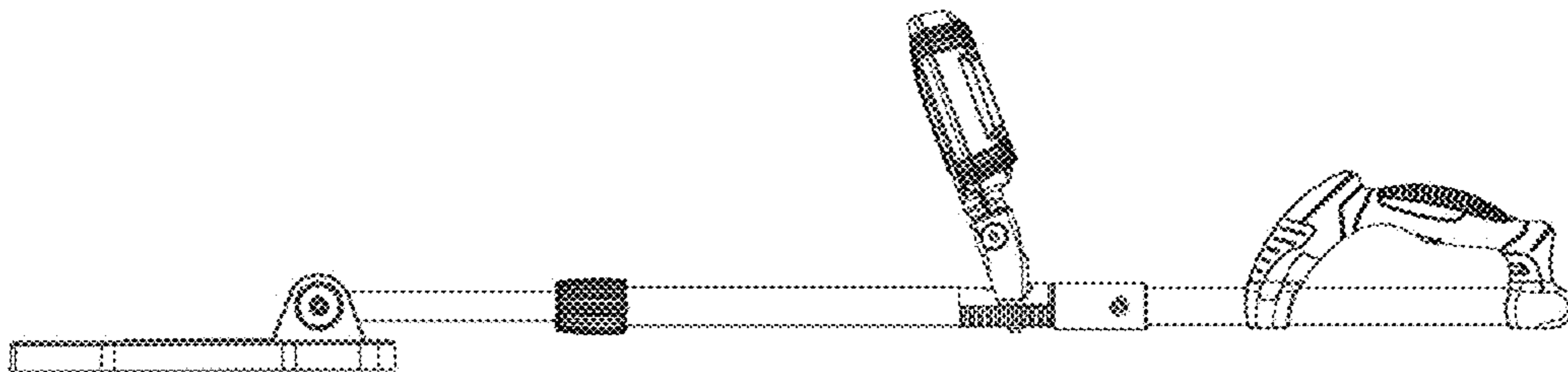


FIG. 3

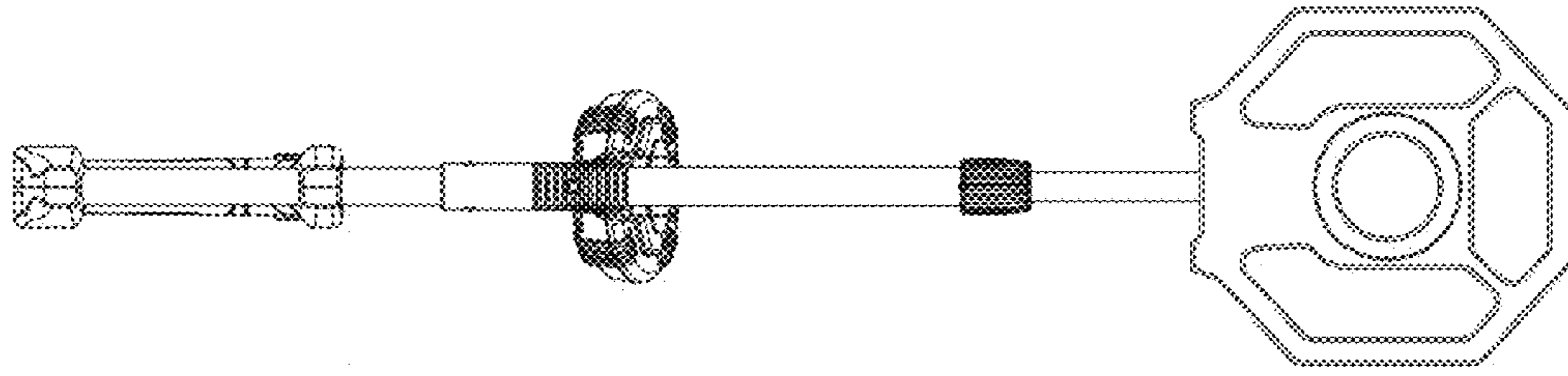


FIG. 4

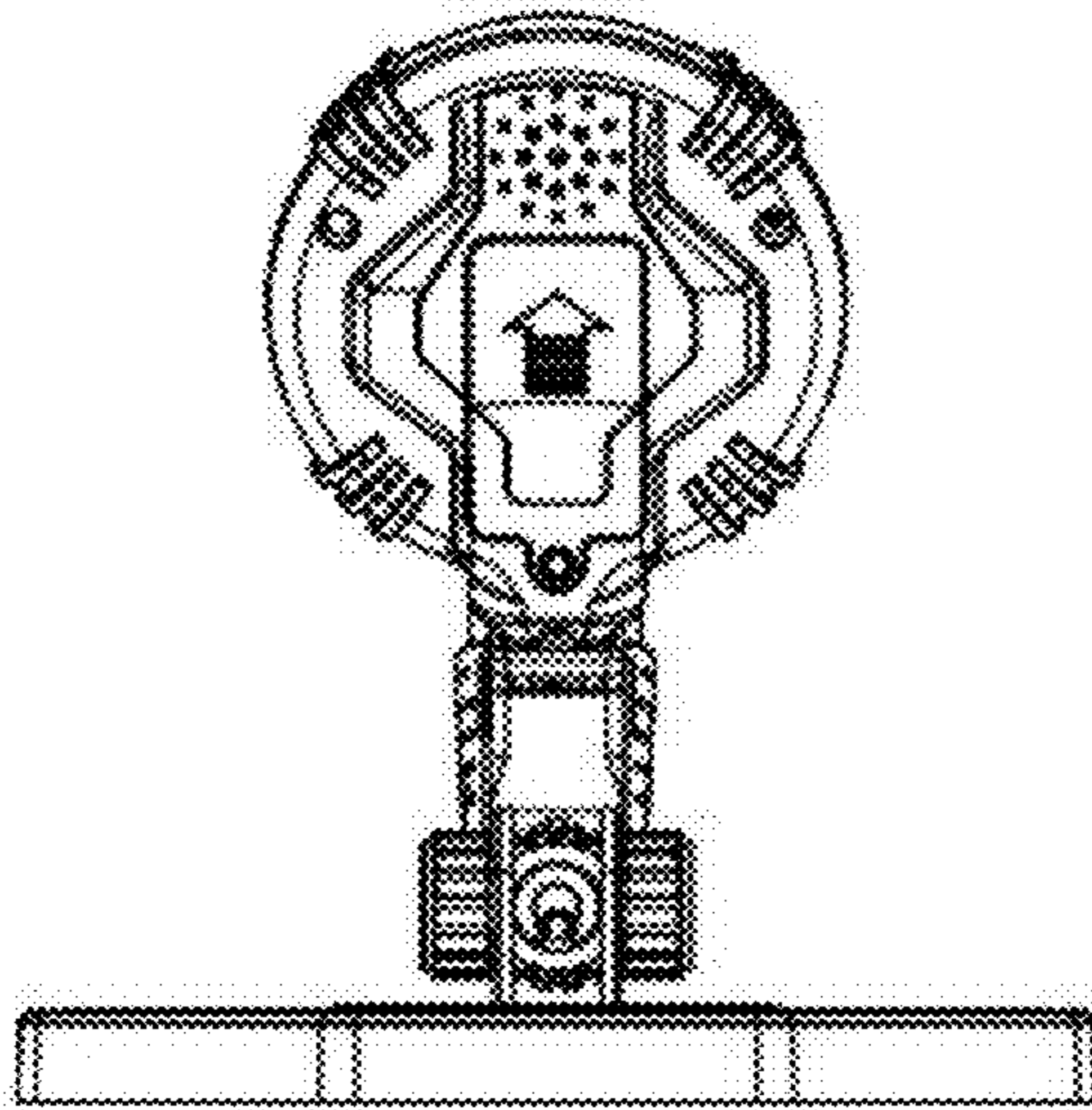


FIG. 5

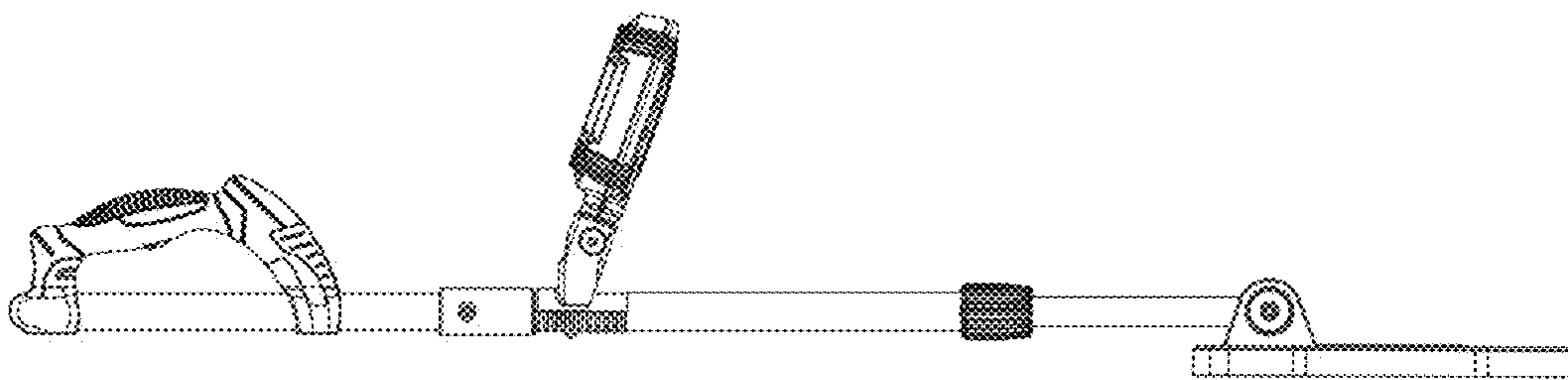


FIG. 6

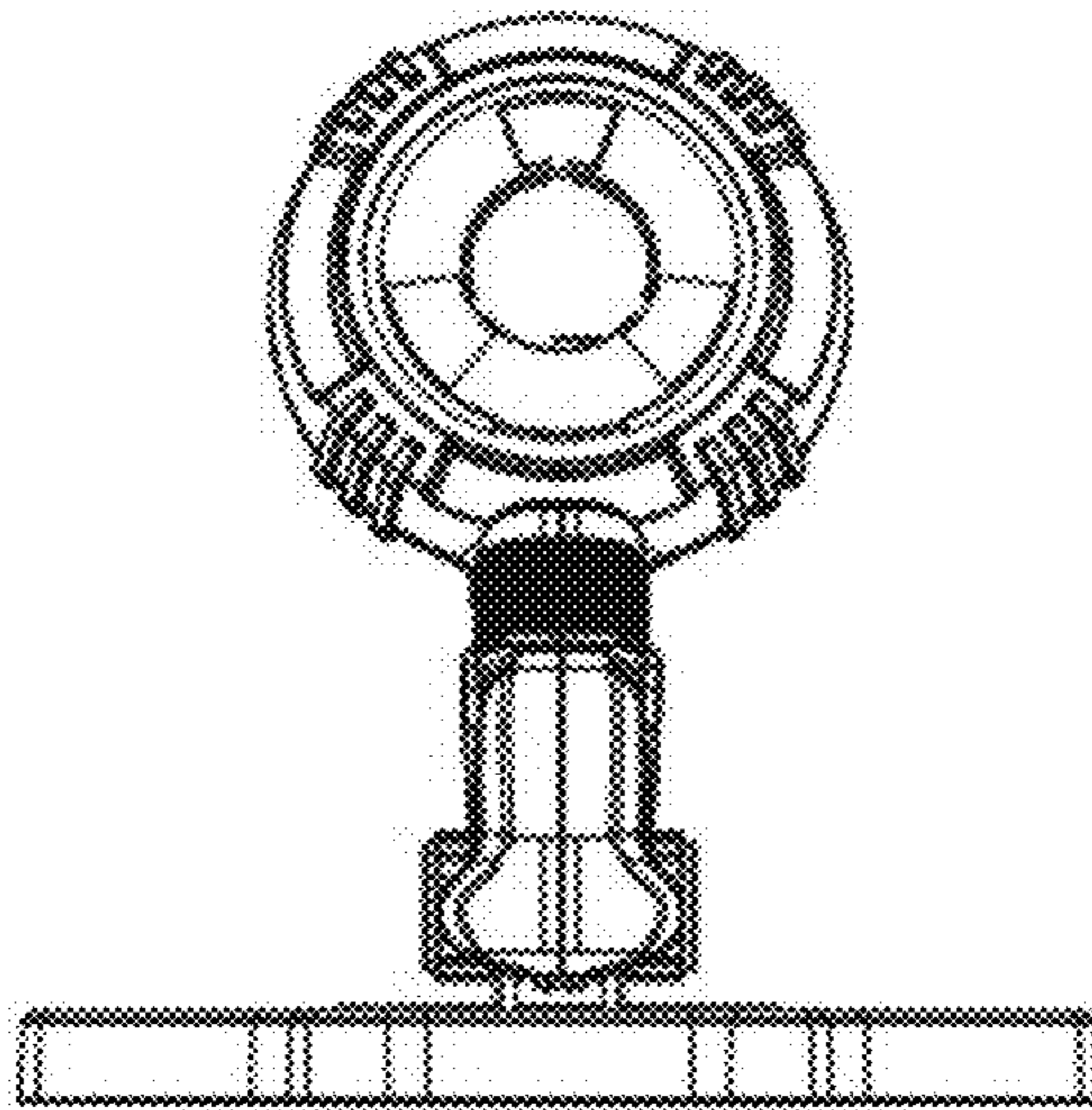


FIG. 7