



US00D899275S

(12) **United States Design Patent**  
**Ye**

(10) **Patent No.:** **US D899,275 S**  
(45) **Date of Patent:** **\*\* Oct. 20, 2020**

(54) **METAL DETECTOR**

(71) Applicant: **Yu Ye**, Shanghai (CN)

(72) Inventor: **Yu Ye**, Shanghai (CN)

(73) Assignee: **SHANGHAI KINGSTRONIC CO., LTD.**, Shanghai (CN)

(\*\*) Term: **15 Years**

(21) Appl. No.: **29/737,306**

(22) Filed: **Jun. 8, 2020**

(51) **LOC (12) Cl.** ..... **10-04**

(52) **U.S. Cl.**  
USPC ..... **D10/47**

(58) **Field of Classification Search**  
USPC ..... D10/47  
CPC ... G01V 3/00; G01V 3/02; G01V 3/04; G01V 3/06; G01V 3/08; G01V 3/081; G01V 3/082; G01V 3/083; G01V 2003/084; G01V 2003/085; G01V 2003/086; G01V 3/087; G01V 3/088; G01V 3/10; G01V 3/101; G01V 3/102; G01V 3/104; G01V 3/105; G01V 3/107; G01V 3/108; G01V 3/12; G01V 3/14; G01V 3/15; G01V 3/16; G01V 3/165; G01V 3/17; G01V 3/175; G01V 3/18; G01V 3/20; G01V 3/22; G01V 3/24; G01V 3/26; G01V 3/265; G01V 3/28; G01V 3/30; G01V 3/32; G01V 3/34; G01V 3/36; G01V 3/38; G01V 3/40

See application file for complete search history.

(56) **References Cited**

U.S. PATENT DOCUMENTS

8,842,035 B2 \* 9/2014 Duvoisin, III ..... G01S 13/86 342/22

9,021,661 B2 \* 5/2015 Andel ..... B25G 1/04 16/429

D756,247 S \* 5/2016 Pollock ..... G01S 13/86 D10/47

9,664,809 B2 \* 5/2017 Fry ..... G01V 3/104

9,733,353 B1 \* 8/2017 Carlson ..... G01S 13/885

9,864,089 B2 \* 1/2018 Andel ..... G01V 3/15

D844,462 S \* 4/2019 Griffin ..... D10/47

D844,463 S \* 4/2019 Zhang ..... G01V 3/15 D10/47

D846,411 S \* 4/2019 Zhang ..... G01S 13/885 D10/47

D867,170 S \* 11/2019 Deng ..... D10/47

D881,034 S \* 4/2020 Zhang

D881,035 S \* 4/2020 Zhang ..... D10/47

D881,037 S \* 4/2020 Zhang ..... D10/47

D881,727 S \* 4/2020 Deng ..... D10/47

D884,492 S \* 5/2020 Deng ..... D10/47

D885,206 S \* 5/2020 Deng ..... D10/47

D885,939 S \* 6/2020 Deng ..... D10/47

D889,996 S \* 7/2020 Qin ..... D10/47

D889,997 S \* 7/2020 Qin ..... D10/47

D889,998 S \* 7/2020 Qin ..... D10/47

D889,999 S \* 7/2020 Qin ..... D10/47

\* cited by examiner

Primary Examiner — Antoine Duval Davis  
(74) Attorney, Agent, or Firm — Justin Lampel

(57) **CLAIM**

The ornamental design for a metal detector, as shown and described.

**DESCRIPTION**

FIG. 1 is a perspective view of a metal detector showing the claimed design;

FIG. 2 is a top plan view thereof;

FIG. 3 is a rear elevational view thereof;

FIG. 4 is a bottom plan view thereof;

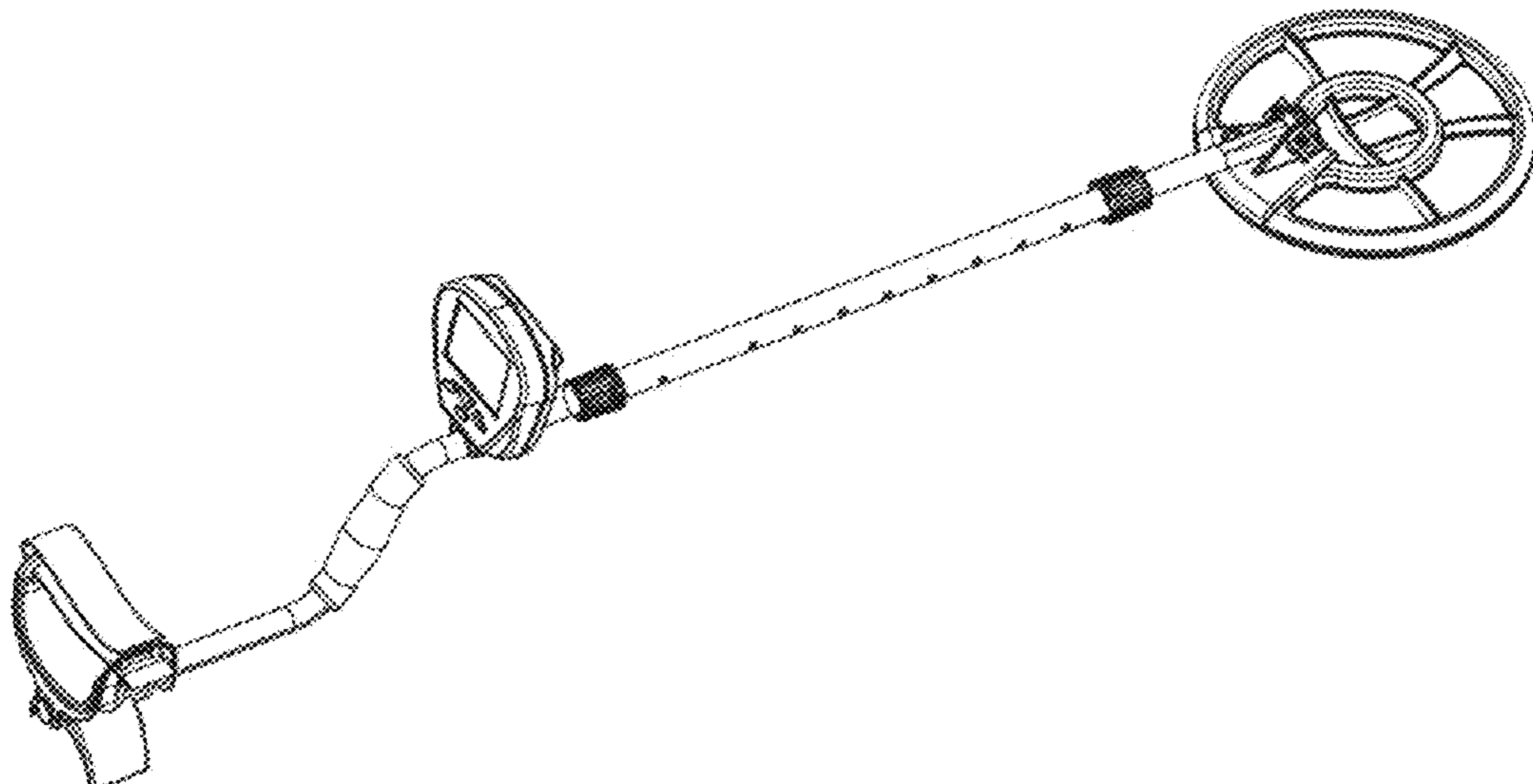
FIG. 5 is a right side view thereof;

FIG. 6 is a front elevational view thereof; and,

FIG. 7 is a left side view thereof.

The broken lines depict portions of the design that form no part of the claimed design.

**1 Claim, 3 Drawing Sheets**



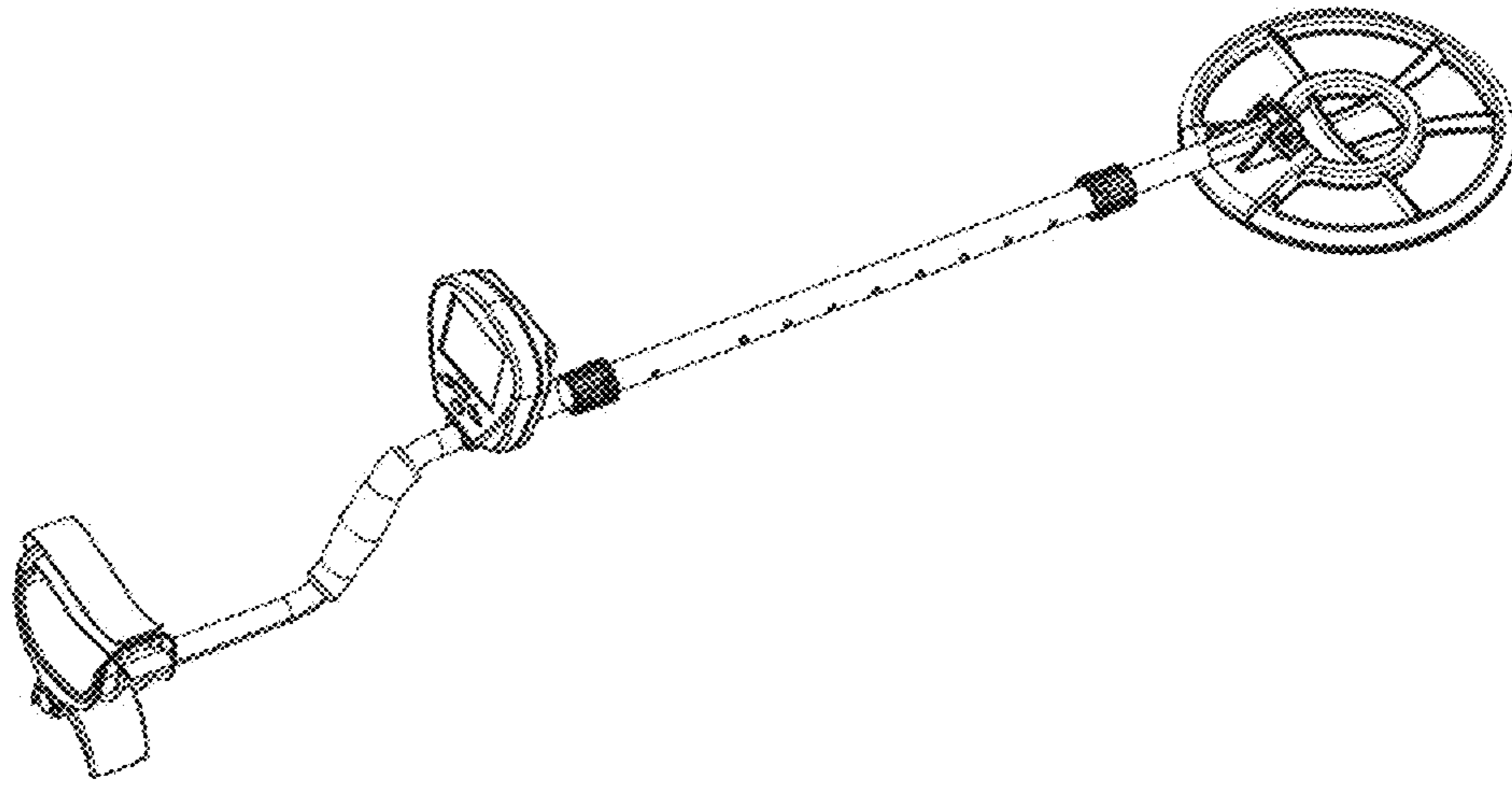


FIG. 1

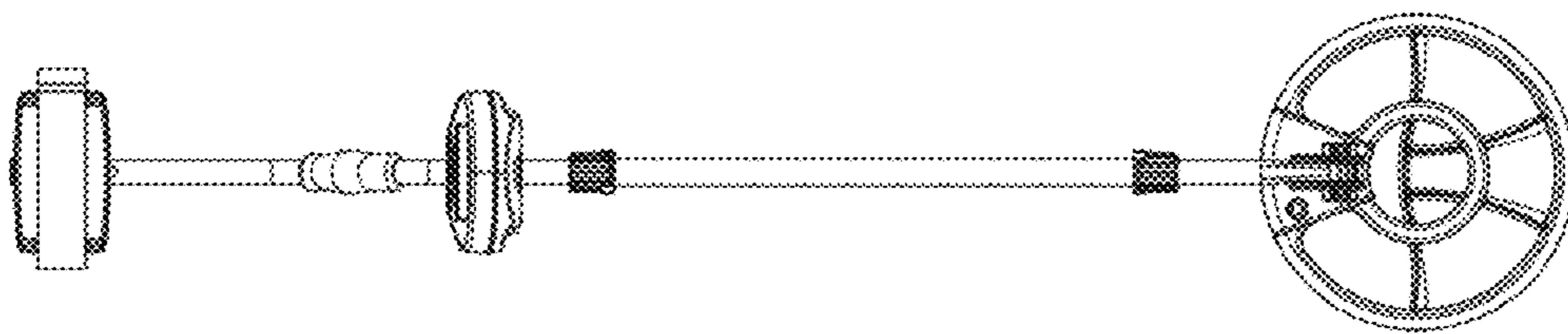


FIG. 2

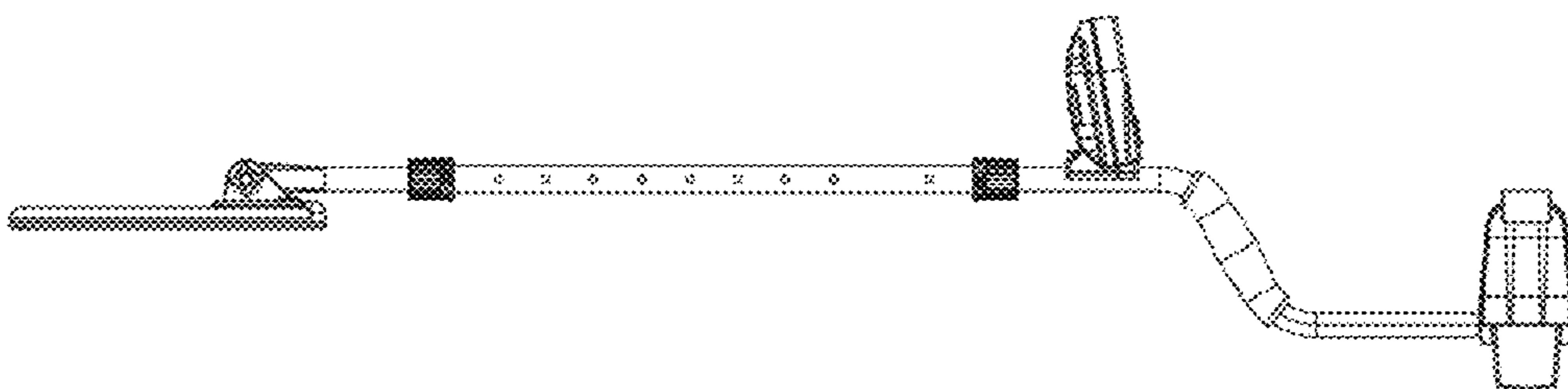


FIG. 3

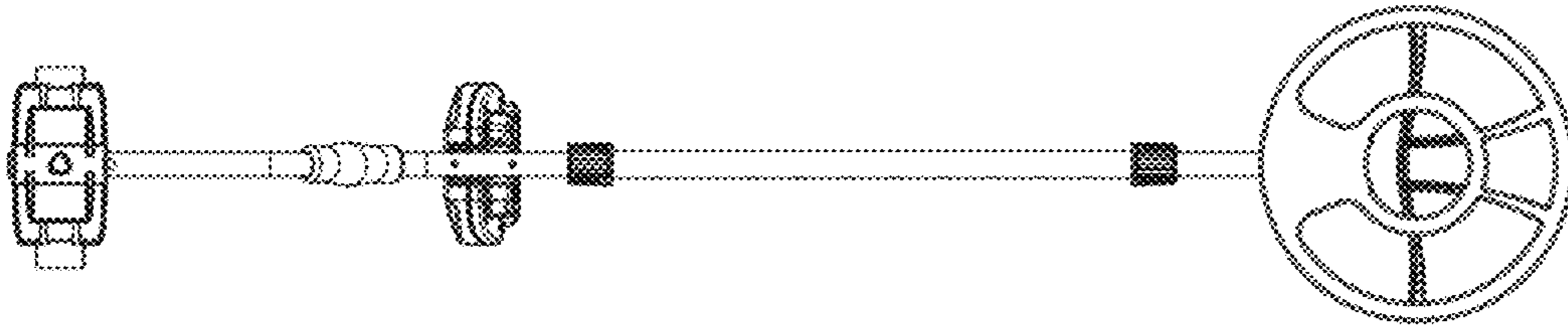


FIG. 4

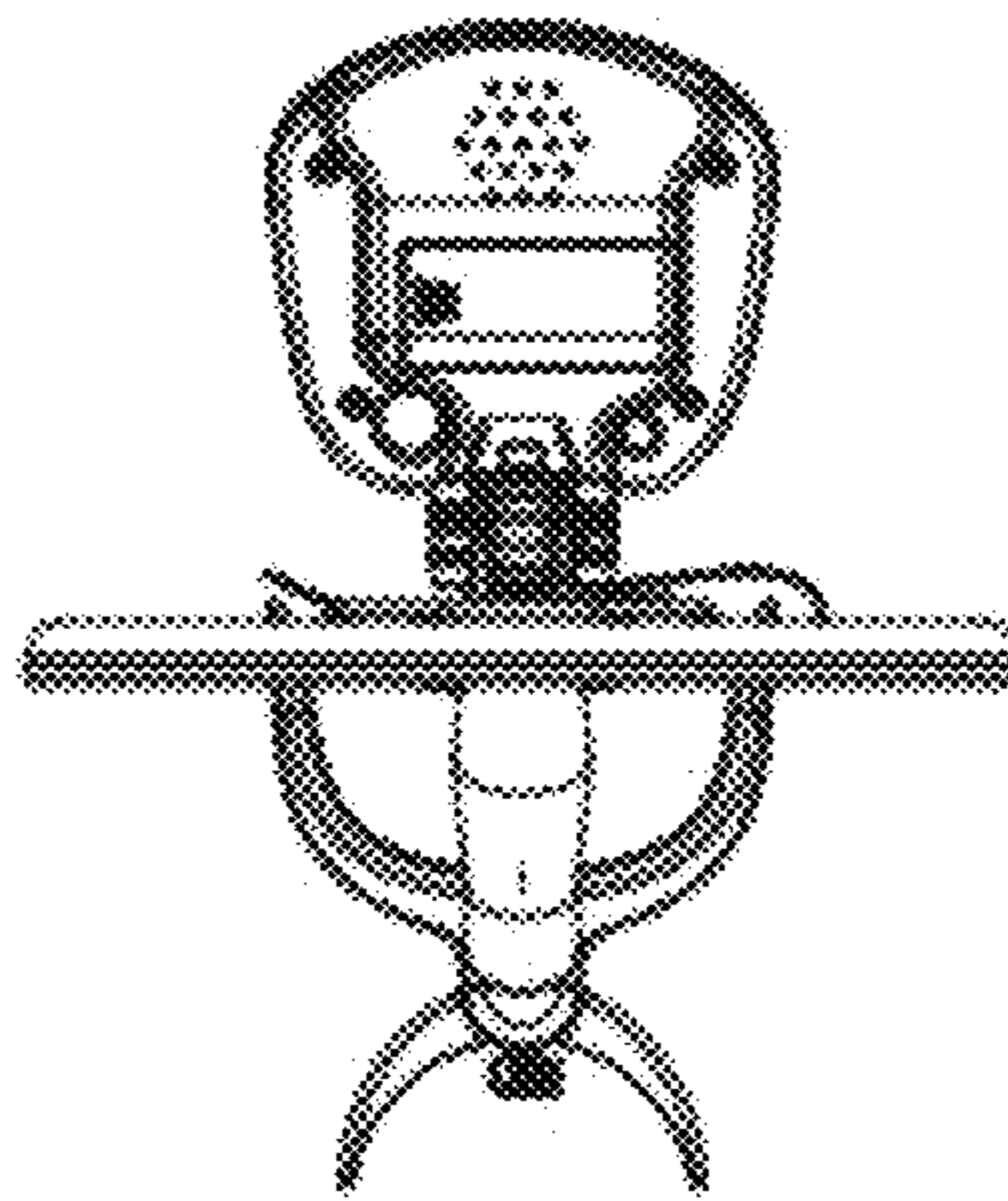


FIG. 5

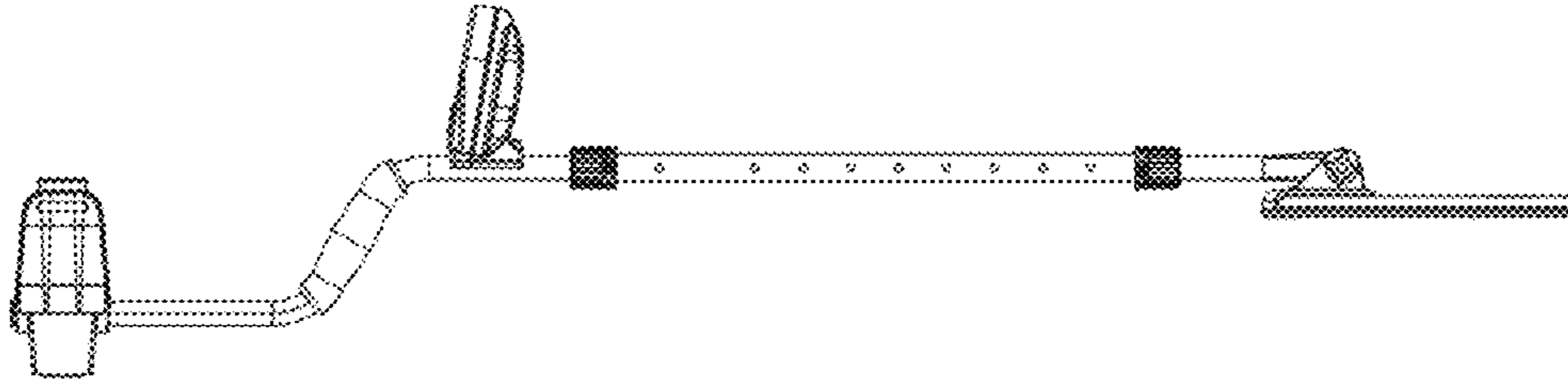


FIG. 6

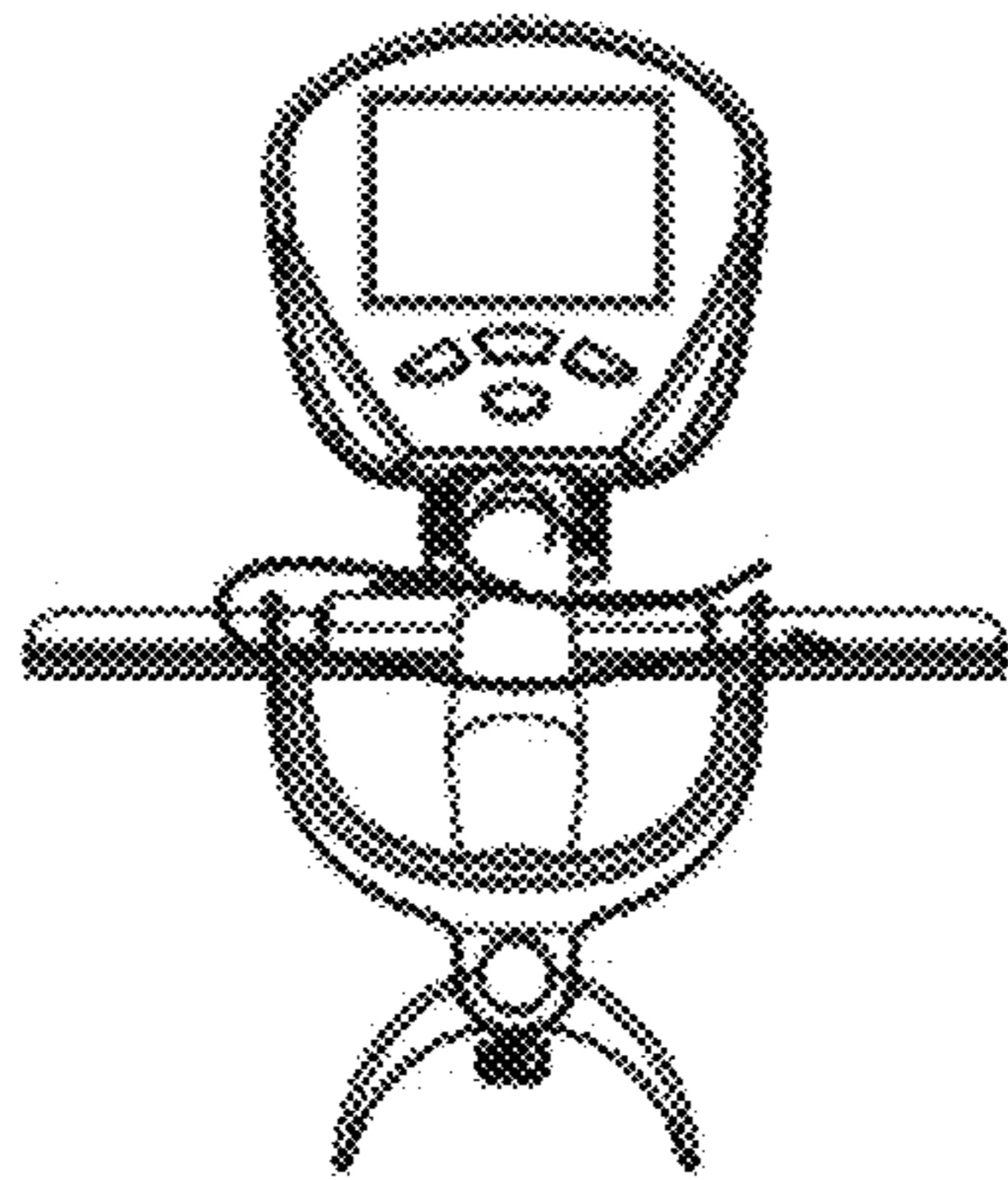


FIG. 7