



US00D899273S

(12) **United States Design Patent**
Wright et al.

(10) **Patent No.:** **US D899,273 S**

(45) **Date of Patent:** **** Oct. 20, 2020**

(54) **WATCH CASE**

FOREIGN PATENT DOCUMENTS

(71) Applicant: **CATALYST LIFESTYLE LIMITED**,
North Point (HK)

CH 218928 4/1942
CH 343949 2/1960

(Continued)

(72) Inventors: **Joshua Wright**, Hong Kong Sar (CN);
June Lai, Hong Kong Sar (CN)

OTHER PUBLICATIONS

(73) Assignee: **Catalyst Lifestyle Limited**, North Point
(HK)

Match Case / Catalyst Case for Apple Watch / Catalyst, posted at
catalystlifestyle.comn, posting date N/A, © 2016 catalystlifestyle.
com, [online], [site visited Jun. 24, 2016], Available from Internet
<http://www.catalystlifestyle.com/collections/catalyst-case-for-apple-watch/products/catalyst-apple-watch-42mm>.

(Continued)

(**) Term: **15 Years**

(21) Appl. No.: **29/614,714**

(22) Filed: **Aug. 22, 2017**

Related U.S. Application Data

Primary Examiner — Sandra S Snapp

(74) *Attorney, Agent, or Firm* — Dinsmore & Shohl LLP

(60) Division of application No. 29/582,987, filed on Nov.
1, 2016, now Pat. No. Des. 798,744, which is a
continuation of application No. 15/176,937, filed on
Jun. 8, 2016, now Pat. No. 9,737,123.

(57) **CLAIM**

The ornamental design for a watch case, as shown and
described.

(51) **LOC (12) Cl.** **10-02**

(52) **U.S. Cl.**
USPC **D10/32**

DESCRIPTION

(58) **Field of Classification Search**
USPC D10/1-41, 122, 124, 125, 128-130, 70,
D10/104.1, 104.2, 103, 106.92; D14/170,
D14/171, 371, 374, 375, 376, 217, 344,
D14/432, 447, 448; D24/186
CPC G04C 17/00; G04C 3/00; A61M 2230/00;
A61M 2230/63

See application file for complete search history.

FIG. 1 is a perspective view including a front, top and one
side of the watch case;
FIG. 2 is a side elevation view of the watch case of FIG. 1;
FIG. 3 is an opposite side elevation view of the watch case
of FIG. 1;
FIG. 4 is a front elevation view of the watch case of FIG. 1;
FIG. 5 is a rear elevation view of the watch case of FIG. 1;
FIG. 6 is a top plan view of the watch case of FIG. 1;
FIG. 7 is a bottom plan view of the watch case of FIG. 1;
and,
FIG. 8 is an exploded perspective view of the front, top, and
side of the watch case of FIG. 1.
The broken lines depict portions of the watch case that form
no part of the claimed design.

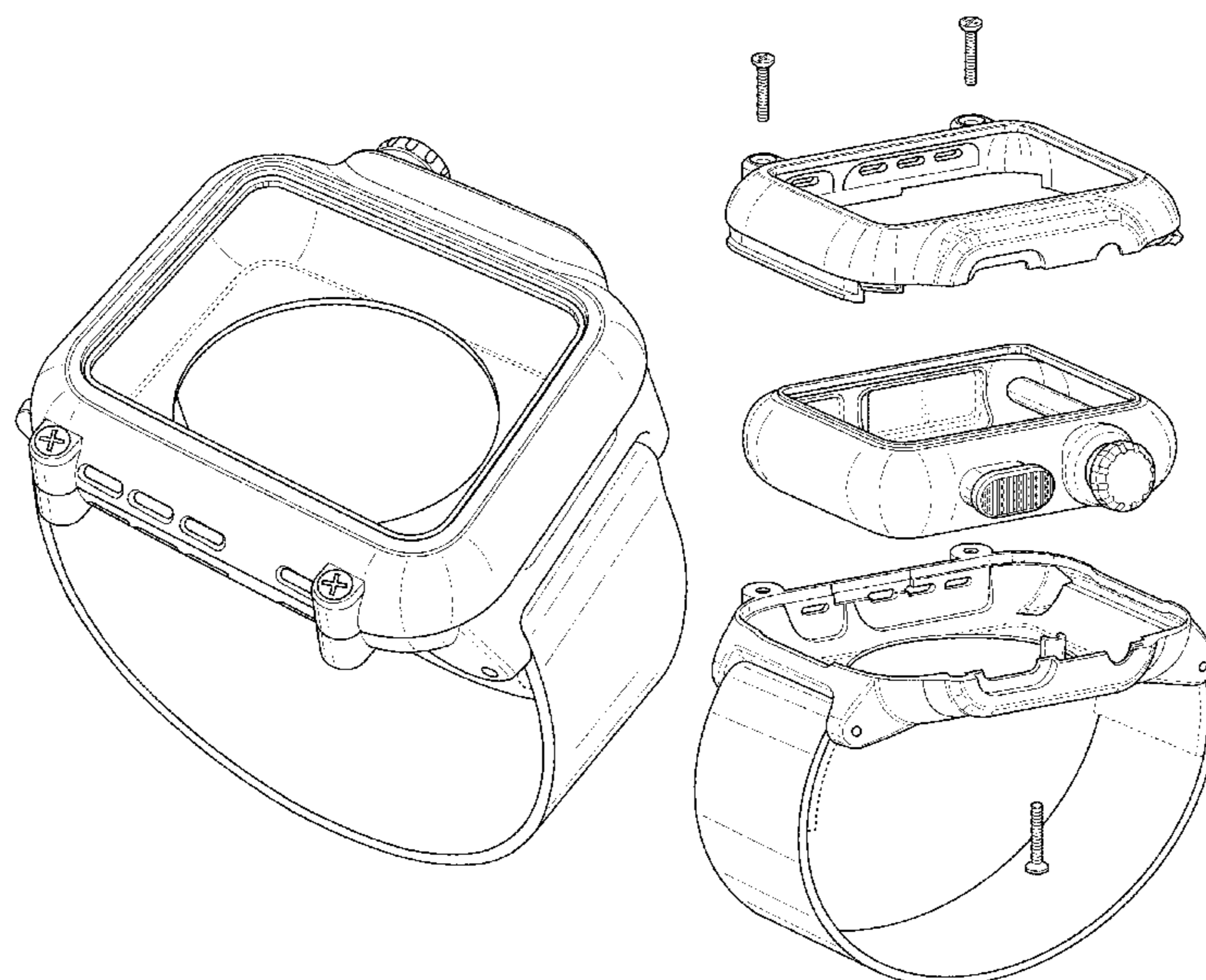
(56) **References Cited**

U.S. PATENT DOCUMENTS

1,195,299 A 8/1916 Watcher
1,205,217 A 11/1916 Kaufman
1,986,328 A 1/1935 Dreyfus

(Continued)

1 Claim, 8 Drawing Sheets



(56)

References Cited

U.S. PATENT DOCUMENTS

2,136,625 A	11/1938	Lasko	8,967,437 B2	3/2015	Wilson
2,392,787 A	1/1946	Vermot	D727,194 S	4/2015	Wilson
D157,606 S	3/1950	Lachman	9,004,329 B2	4/2015	Hsieh et al.
3,194,004 A	7/1965	Church	9,007,758 B2	4/2015	Wilson et al.
3,640,065 A	2/1972	Lederrey et al.	D729,218 S	5/2015	Wilson et al.
3,789,601 A	2/1974	Bergey	D737,159 S *	8/2015	Akana D10/32
3,800,525 A	4/1974	Bergey	9,101,184 B2	8/2015	Wilson
3,992,874 A	11/1976	Collins	9,114,923 B2	8/2015	Richardson et al.
4,062,181 A	12/1977	Zurcher	D739,768 S	9/2015	Hanshew et al.
4,236,239 A	11/1980	Imgruth et al.	9,136,897 B2	9/2015	Hynecek et al.
4,390,288 A	6/1983	Amoux	9,145,250 B2	9/2015	Richardson et al.
D278,685 S	5/1985	Suzuki et al.	D741,726 S	10/2015	Akana et al.
D279,081 S	6/1985	Suzuki et al.	9,155,368 B2	10/2015	Chang
D283,014 S	3/1986	Suzuki et al.	D742,254 S	11/2015	Greusel et al.
D290,234 S	6/1987	Komatsu	D742,761 S	11/2015	Grazian et al.
D293,417 S	12/1987	Sakamaki	D744,356 S	12/2015	Akana et al.
5,206,841 A	4/1993	Boucheron	D745,421 S	12/2015	Akana et al.
D341,092 S	11/1993	Wild	9,223,346 B2	12/2015	Wilson
D351,799 S	10/1994	Bulgari	D746,707 S	1/2016	Akana et al.
5,392,261 A	2/1995	Hsu	D751,067 S	3/2016	Nousiainen
5,477,508 A	12/1995	Will	D751,550 S	3/2016	Solomon et al.
D386,094 S	11/1997	Ventrella	D751,558 S	3/2016	Lee
D396,647 S	8/1998	Sugisawa	D752,044 S	3/2016	Akana et al.
6,068,119 A	5/2000	Derr et al.	D752,579 S	3/2016	Lee
6,267,236 B1	7/2001	Seok	D752,996 S	4/2016	Ebersold
D451,419 S	12/2001	Tomimatsu	D755,393 S	5/2016	Amsler
D453,298 S	2/2002	Yoshikawa et al.	D756,357 S	5/2016	Akana et al.
6,349,824 B1	2/2002	Yamada	D756,824 S *	5/2016	Akana D10/103
D465,163 S	11/2002	Bodino	D759,725 S	6/2016	Akana et al.
6,655,831 B1	12/2003	Rutheux	9,386,932 B2	7/2016	Chatterjee et al.
6,659,274 B2	12/2003	Enners	D765,072 S	8/2016	Kwon
6,698,608 B2	3/2004	Parker et al.	D766,904 S	9/2016	Jung
D507,975 S	8/2005	Dreyfuss	D766,905 S	9/2016	Lee
D517,430 S	3/2006	TerMeer et al.	D766,906 S	9/2016	Kim
D528,440 S	9/2006	Lovegrove	D767,573 S	9/2016	Kim
D528,441 S	9/2006	Burton	D769,879 S	10/2016	Kim
D528,928 S	9/2006	Burton	D771,504 S	11/2016	Lai et al.
7,106,197 B2	9/2006	Gaiotto et al.	D772,730 S	11/2016	Lai et al.
D531,524 S	11/2006	Behling	D780,740 S *	3/2017	Kim D14/250
D539,671 S	4/2007	Lassigne	D790,517 S *	6/2017	Akana D14/244
D564,367 S	3/2008	Molyneux	D791,188 S *	7/2017	Akana D10/32
7,555,325 B2	6/2009	Goros	D795,089 S *	8/2017	Wright D10/32
7,577,468 B2	8/2009	Begic et al.	D797,150 S *	9/2017	Akana D10/32
7,594,576 B2	9/2009	Chen et al.	D797,809 S *	9/2017	Akana D10/32
D603,827 S	11/2009	Tompkin et al.	D797,810 S *	9/2017	Akana D10/32
7,613,386 B2	11/2009	Shimamura	D798,744 S *	10/2017	Wright A45C 13/008
7,630,746 B2	12/2009	Holmberg			D10/30
D616,417 S	5/2010	Liao	D798,905 S *	10/2017	Akana D14/496
7,708,457 B2	5/2010	Girardin	D799,344 S *	10/2017	Wright D10/30
7,933,122 B2	4/2011	Richardson et al.	D800,172 S *	10/2017	Akana D14/496
D638,312 S	5/2011	Jacobs	D800,700 S *	10/2017	Bergman D14/217
D638,324 S	5/2011	Tang	D839,753 S *	2/2019	Domke D10/30
7,946,758 B2	5/2011	Mooring	D853,878 S	7/2019	Wright et al.
D645,031 S	9/2011	Richardson et al.	D867,179 S *	11/2019	Akana D10/70
D657,262 S	4/2012	Pulli	2002/0065054 A1	5/2002	Humphreys et al.
D664,046 S	7/2012	Claessens	2005/0116003 A1	6/2005	Butler et al.
D666,924 S	9/2012	Ahlstrom	2009/0080153 A1	3/2009	Richardson et al.
8,292,493 B2	10/2012	Mooring	2009/0302799 A1	12/2009	Marquet et al.
D672,255 S	12/2012	Zanella et al.	2010/0061191 A1 *	3/2010	Chen A44C 5/0069
D672,265 S	12/2012	Pulli			368/109
D673,477 S	1/2013	Szellos	2012/0073093 A1	3/2012	Szellos
8,342,325 B2	1/2013	Rayner	2012/0074005 A1	3/2012	Johnson et al.
8,345,412 B2	1/2013	Maravilla et al.	2012/0134244 A1	5/2012	Margaritelli
D683,338 S	5/2013	Wilson et al.	2013/0001263 A1	1/2013	Kai
D688,582 S	8/2013	Wilson	2013/0222139 A1 *	8/2013	Gouge A61B 5/01
D688,967 S	9/2013	Wilson			340/573.1
D693,251 S	11/2013	Anderssen et al.	2014/0022875 A1	1/2014	Scioscia
D699,701 S	2/2014	Kim	2014/0356495 A1	12/2014	Teuscher
D709,057 S	7/2014	Wilson et al.	2015/0137731 A1	5/2015	Kim
8,787,009 B2	7/2014	Wilson et al.	2015/0141096 A1	5/2015	Murphy et al.
D716,786 S	11/2014	Wilson et al.	2015/0214991 A1	7/2015	Ranchod et al.
D717,678 S	11/2014	Anderssen et al.	2015/0296963 A1	10/2015	Byun et al.
8,944,614 B2	2/2015	Parrill	2015/0319520 A1	11/2015	Richardson et al.
8,955,678 B2	2/2015	Murphy et al.	2016/0254836 A1	9/2016	Alsberg et al.
D724,033 S *	3/2015	Shimamoto D13/159			

FOREIGN PATENT DOCUMENTS

CH	690 870 A5	2/2001
CN	203119956 U	8/2013

(56)

References Cited

FOREIGN PATENT DOCUMENTS

CN	204190798	U	3/2015
CN	204305125	U	4/2015
DE	822169		11/1951
JP	8046371	A	2/1996
JP	9023072		1/1997
JP	3044740	U	1/1998
JP	10079582	A	3/1998
JP	11231970	A	8/1999
JP	11231973	A	8/1999
JP	11284358	A	10/1999
JP	2000125916	A	5/2000
JP	2006064762	A	3/2006
TW	D168277		6/2015
WO	99/67889	A1	12/1999
WO	03041288	A2	5/2003
WO	2014-019030	A1	2/2014

OTHER PUBLICATIONS

Catalyst 330ft Waterproof Case for Apple Watch Series 5 44mm I posted at amazon.com Jan. 2019 [online]. ©1996-2020, Amazon.com, Inc [retrieved Jun. 2, 2020] from Internet: <<https://www.amazon.com/Catalyst-Waterproof-Silicone-Resistant-Protective/dp/B07KRZNF59>> (Year: 2019).

Office Action dated Jun. 12, 2020 pertaining to Design U.S. Appl. No. 29/679,249, filed Feb. 4, 2019, 32 pgs.

Notice of Allowance and Fee(s) Due dated Jun. 10, 2020 pertaining to Design U.S. Appl. No. 29/614,667, filed Aug. 22, 2017, 5 pgs.

Notice of Allowance and Fee(s) Due dated Jun. 10, 2020 pertaining to Design U.S. Appl. No. 29/614,919, filed Aug. 24, 2017, 5 pgs.

* cited by examiner

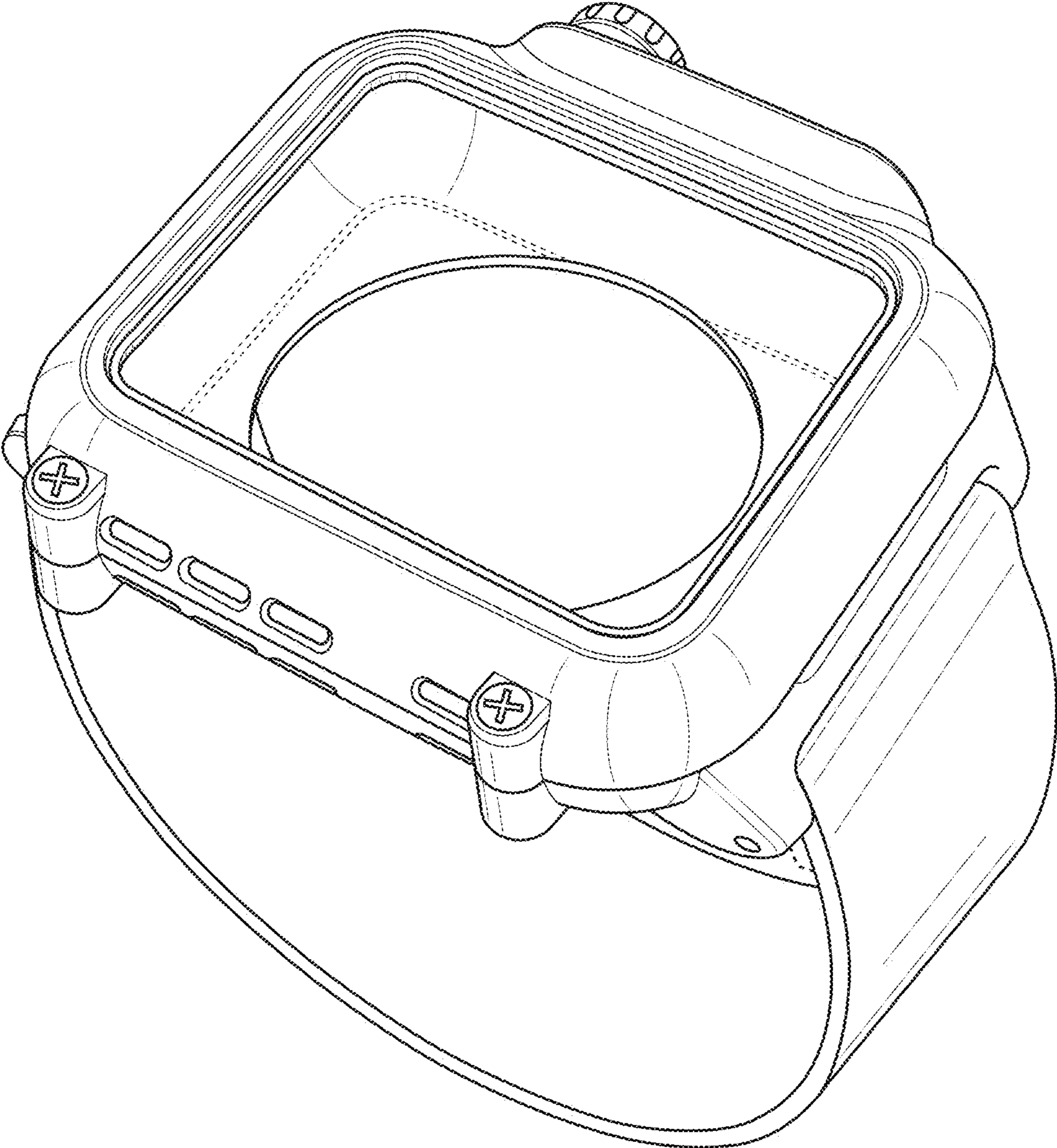


FIG. 1

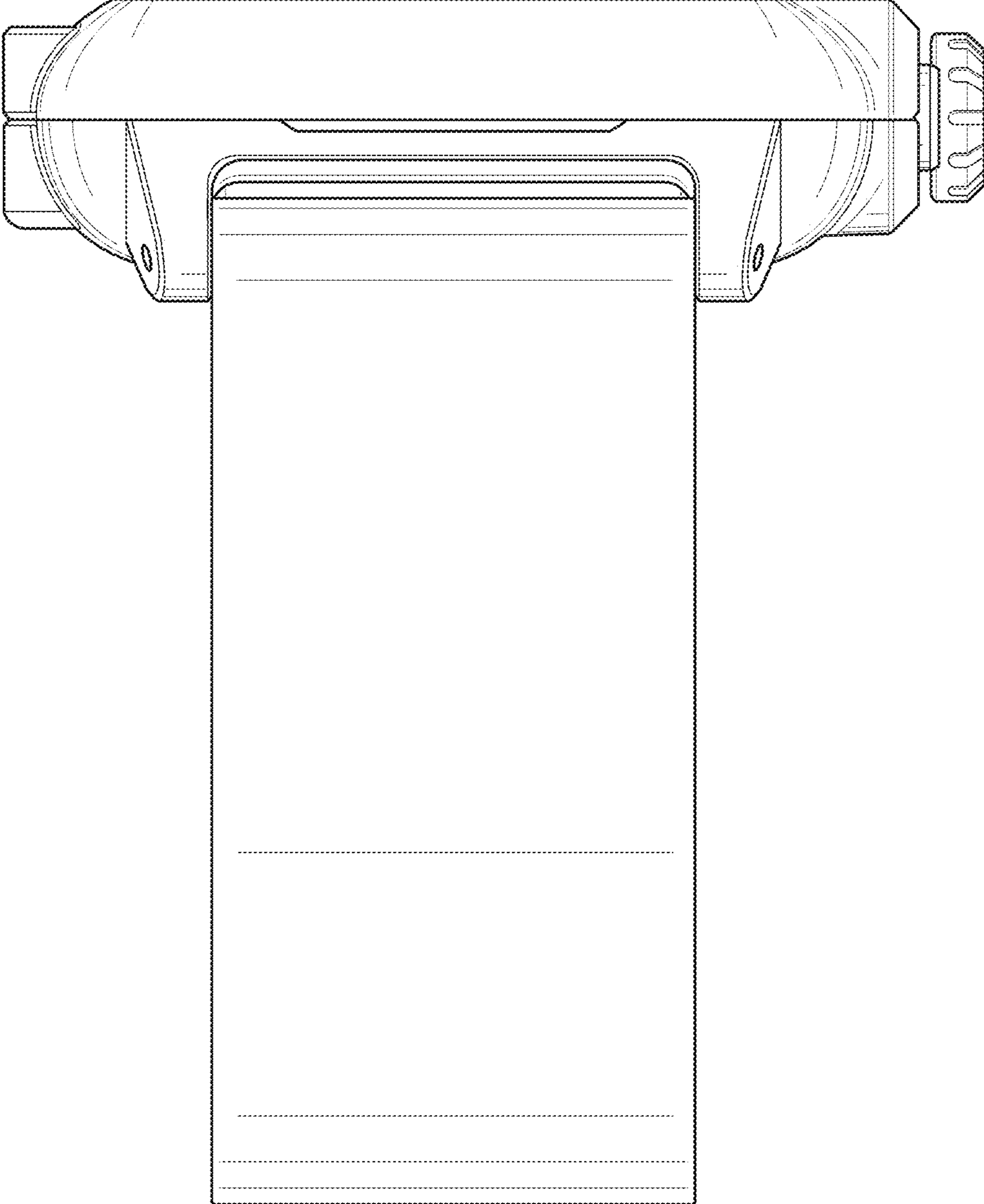


FIG. 2

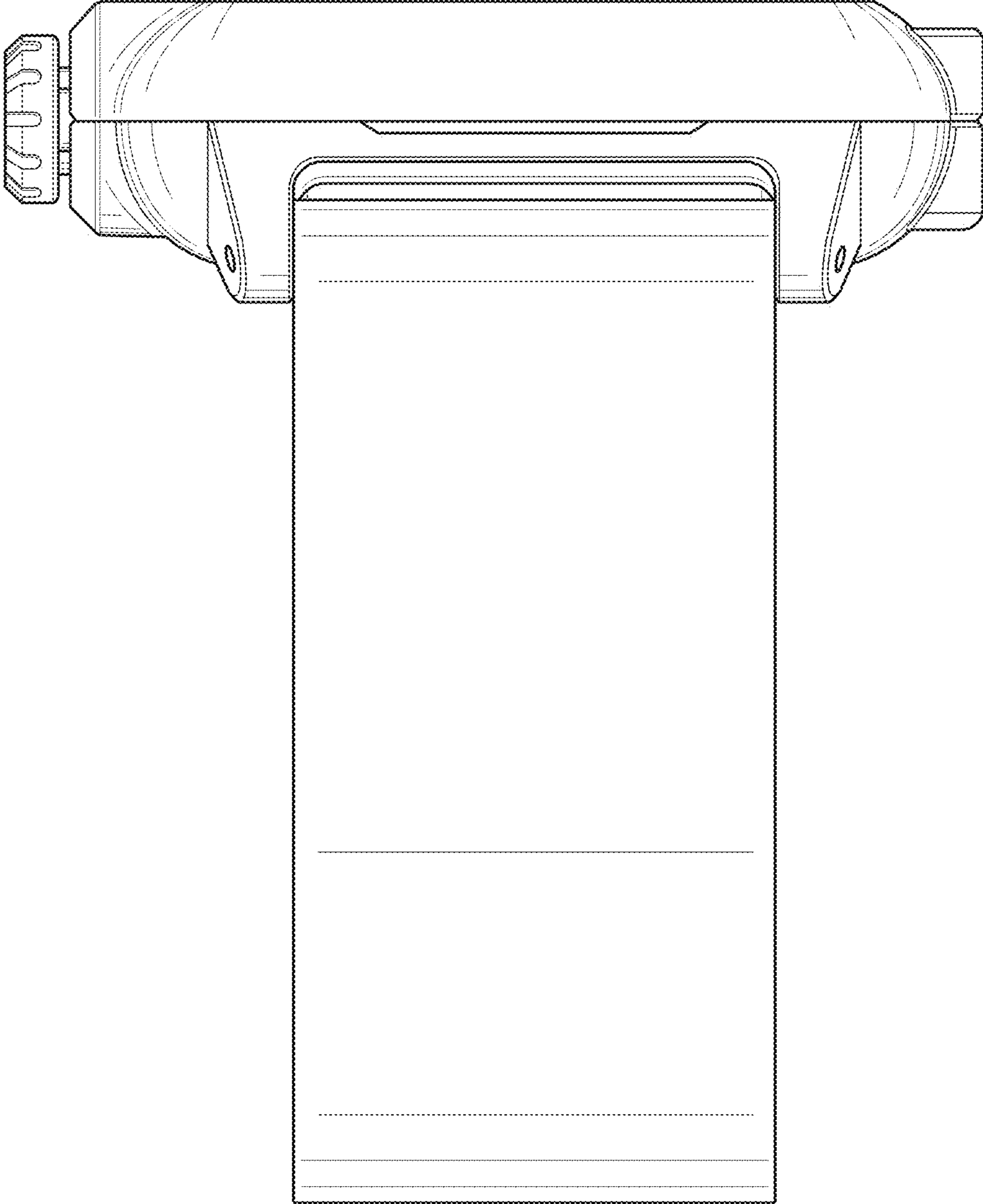


FIG. 3

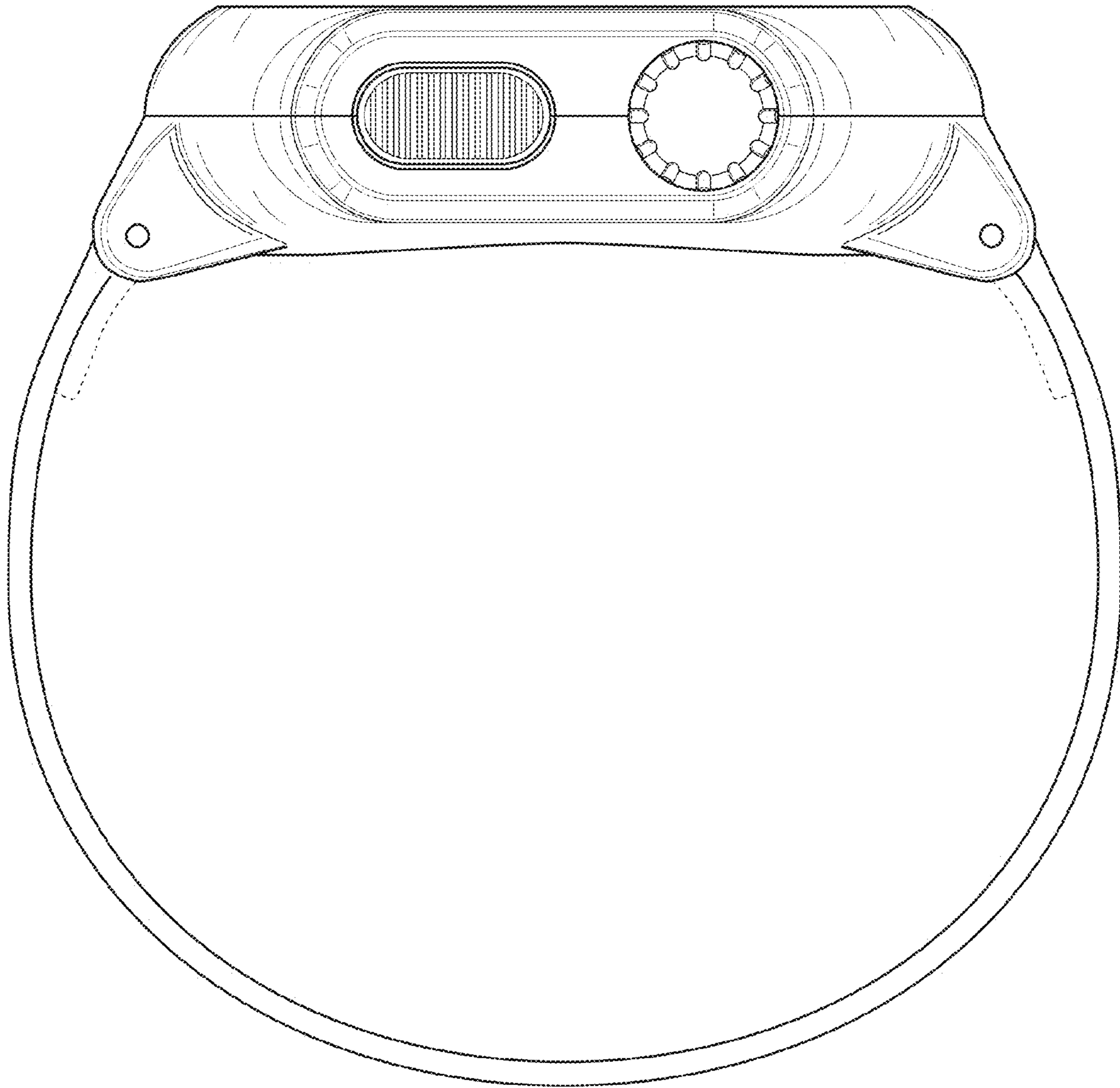


FIG. 4

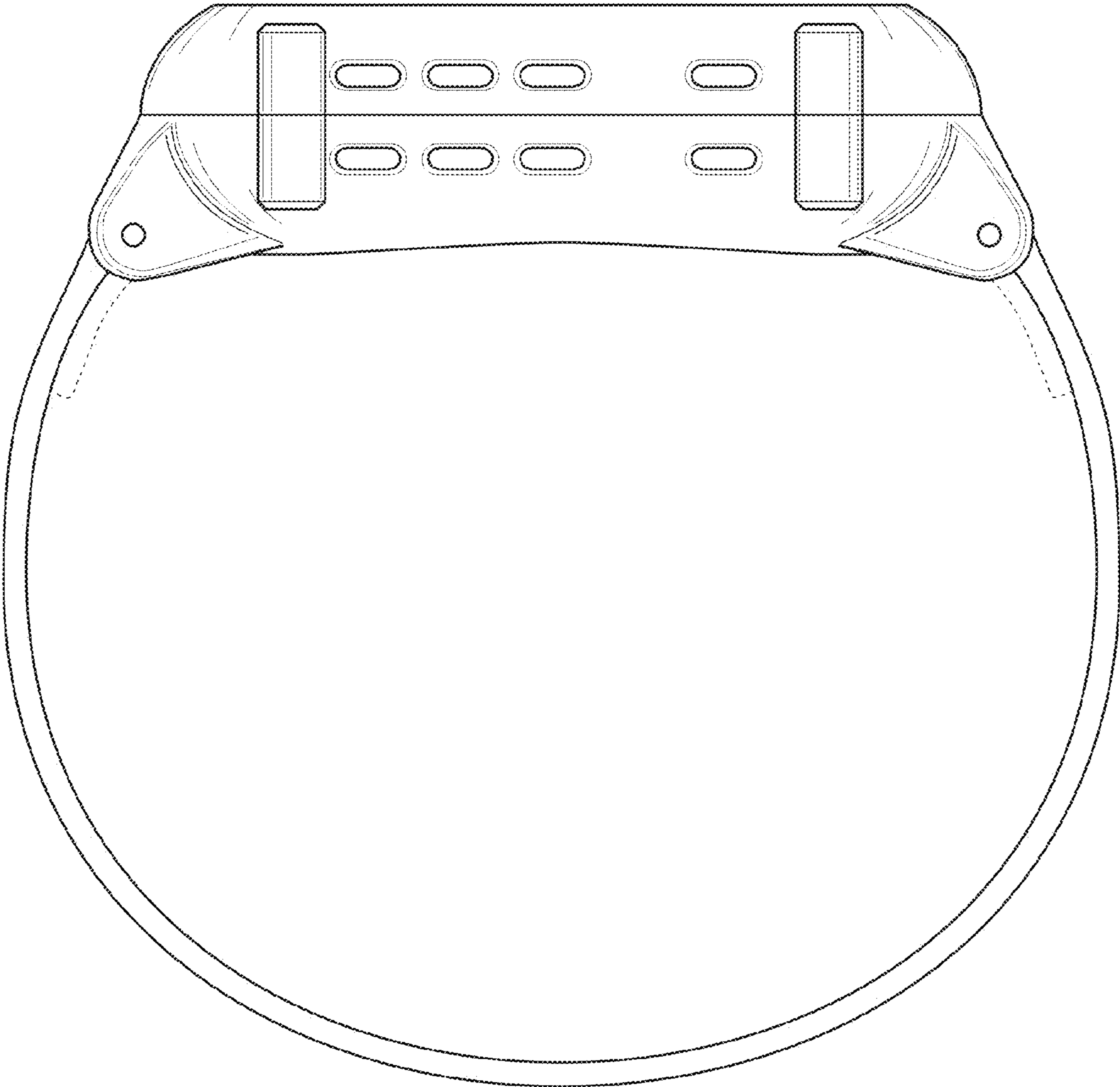


FIG. 5

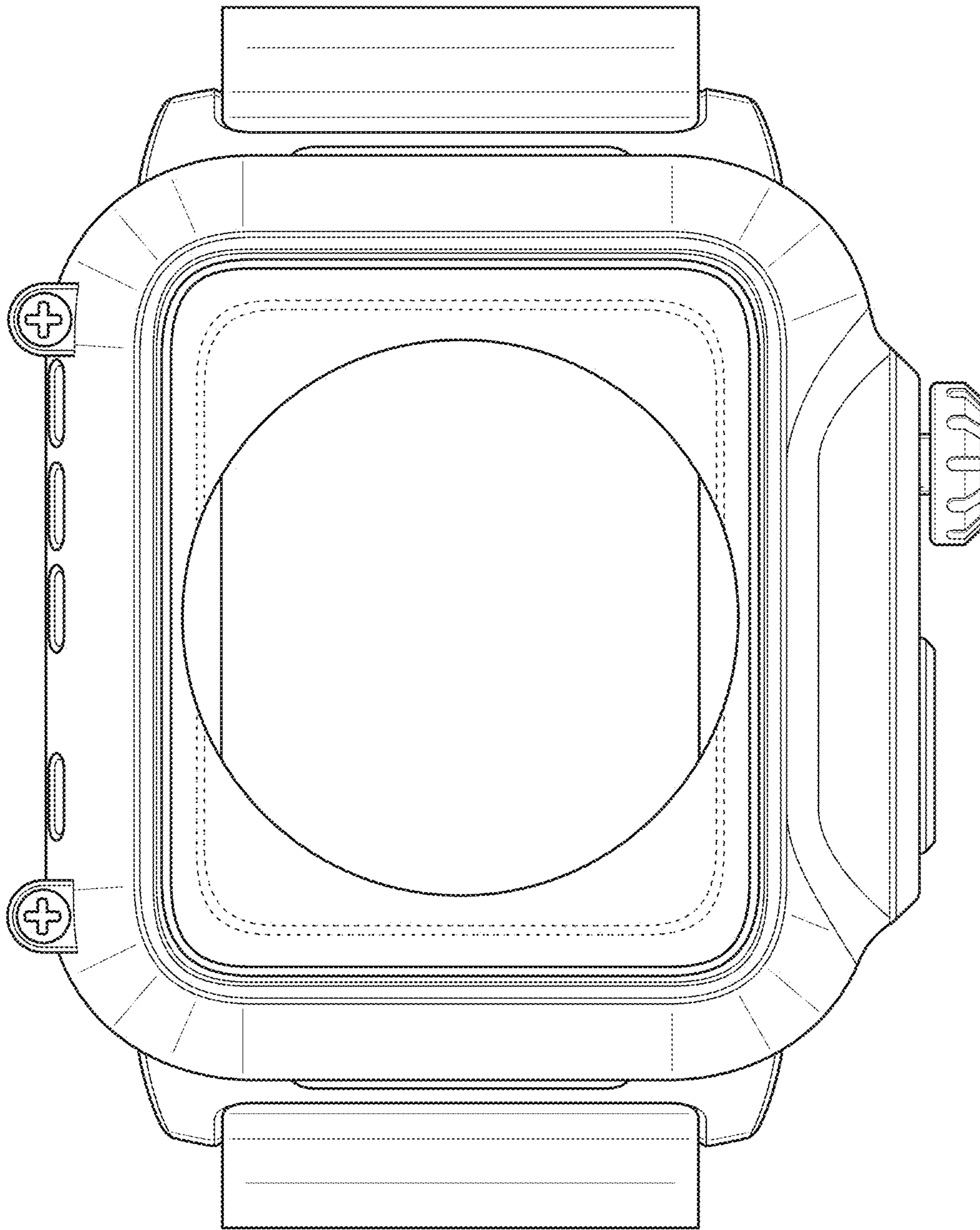


FIG. 6

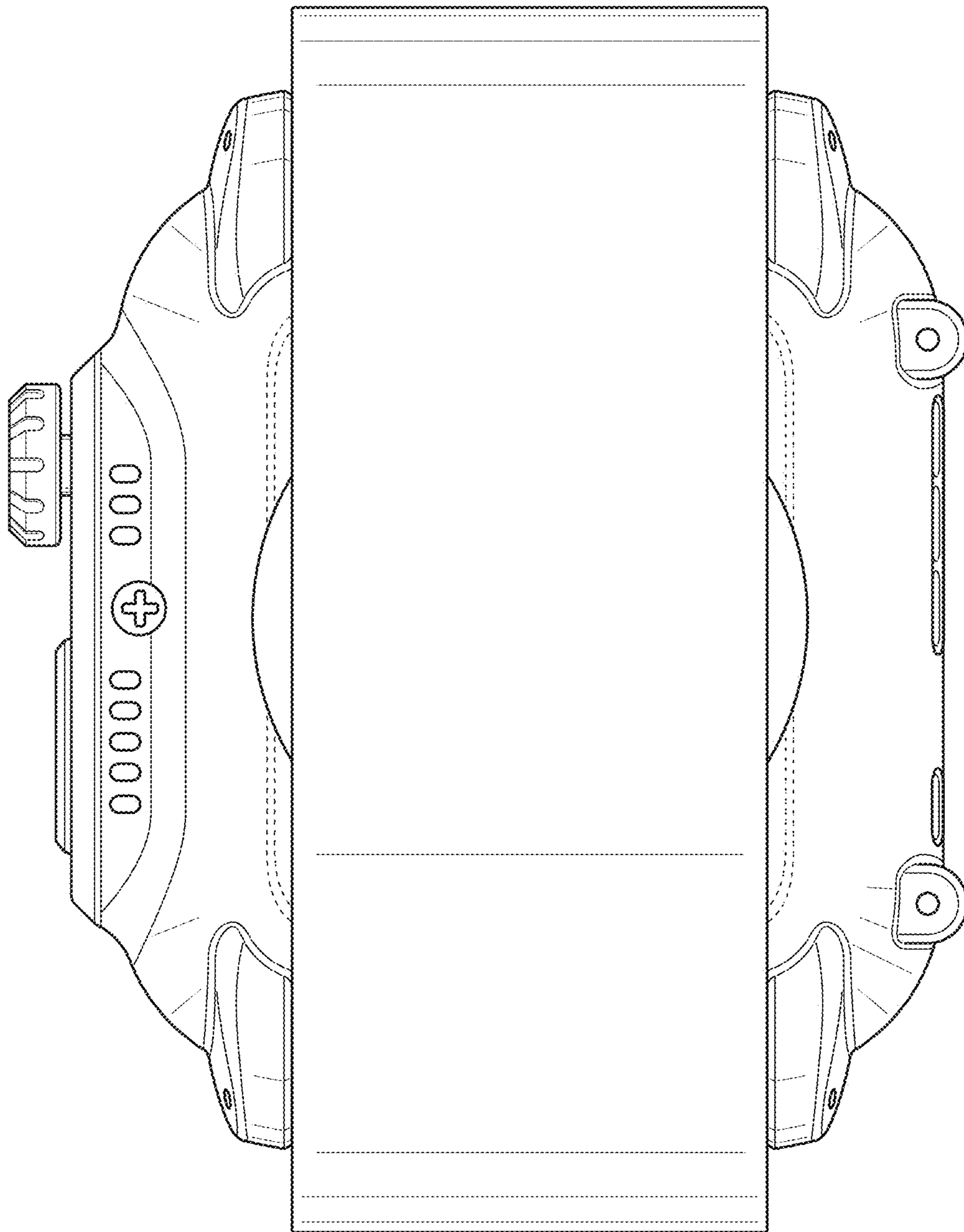


FIG. 7

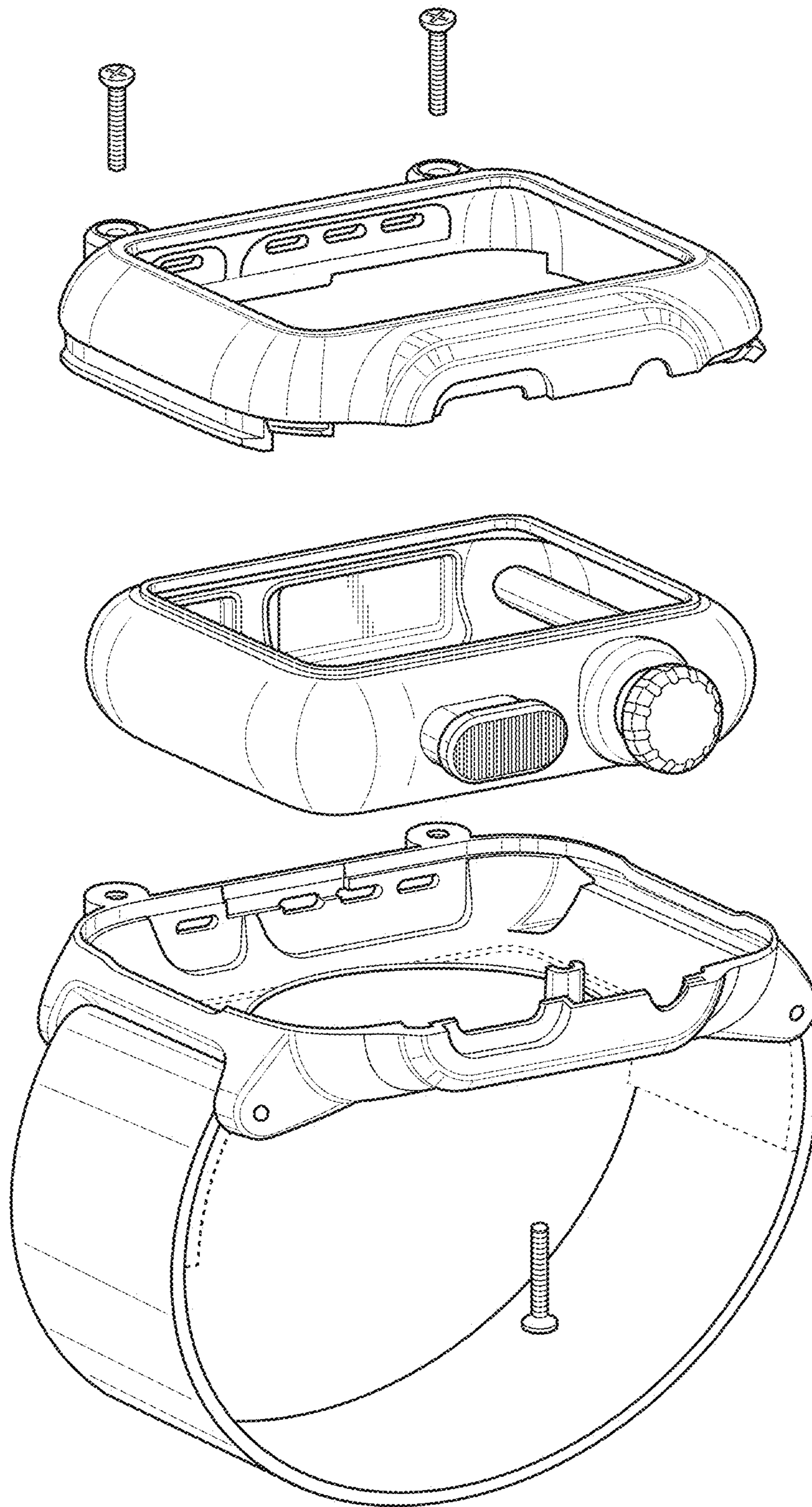


FIG. 8