



US00D899272S

(12) **United States Design Patent**
Hashimoto

(10) **Patent No.:** **US D899,272 S**
(45) **Date of Patent:** **** Oct. 20, 2020**

- (54) **WATCH CASE**
- (71) Applicant: **CASIO KEISANKI KABUSHIKI KAISHA**, Shibuya-ku, Tokyo (JP)
- (72) Inventor: **Ichiro Hashimoto**, Kanagawa (JP)
- (73) Assignee: **CASIO KEISANKI KABUSHIKI KAISHA**, Tokyo (JP)
- (**) Term: **15 Years**
- (21) Appl. No.: **29/661,132**
- (22) Filed: **Aug. 24, 2018**
- (51) **LOC (12) Cl.** **10-02**
- (52) **U.S. Cl.**
USPC **D10/30**
- (58) **Field of Classification Search**
USPC D10/30-41, 65, 70, 97-98, 122, 128;
D14/344, 440; D24/167, 186
CPC G04B 19/04; G04B 19/006; G04B 19/10;
G04B 19/103; G04B 37/008; G04B 37/00-58; G04B 45/00; G04B 45/0069;
G04B 45/0076; G04G 17/00; G04G 17/02; G04G 17/08; G04G 21/00; G04G 21/02; G04G 21/08
See application file for complete search history.

- D781,159 S * 3/2017 Goto
- D807,201 S * 1/2018 Hashimoto
- D807,202 S * 1/2018 Yamamoto
- D817,193 S * 5/2018 Kojima
- 10,509,366 B2 * 12/2019 Godoy G04B 43/00
- D874,946 S * 2/2020 Matsuda

OTHER PUBLICATIONS

Casio G-Shock GG-B100 Mudmaster | posted at g-central.com Jun. 2019 [online]. © 2020 G-Central G-Shock Watch Fan Blog [retrieved Jun. 30, 2020] from Internet: <<https://www.g-central.com/g-shock-gg-b100-mudmaster-with-quad-sensor/>> (Year: 2019).*

* cited by examiner

Primary Examiner — Sandra Snapp

Assistant Examiner — Katherine Glennon

(74) *Attorney, Agent, or Firm* — Holtz, Holtz & Volek PC

(57) **CLAIM**

The ornamental design for a watch case, as shown and described.

DESCRIPTION

FIG. 1 is a front, right side, bottom perspective view of a watch case showing my new design; FIG. 2 is a front elevational view thereof; FIG. 3 is a rear elevational view thereof; FIG. 4 is a left side view thereof; FIG. 5 is a right side view thereof; FIG. 6 is a top plan view thereof; FIG. 7 is a bottom plan view thereof; and, FIG. 8 is perspective view thereof, showing the watch case in an environment of use.

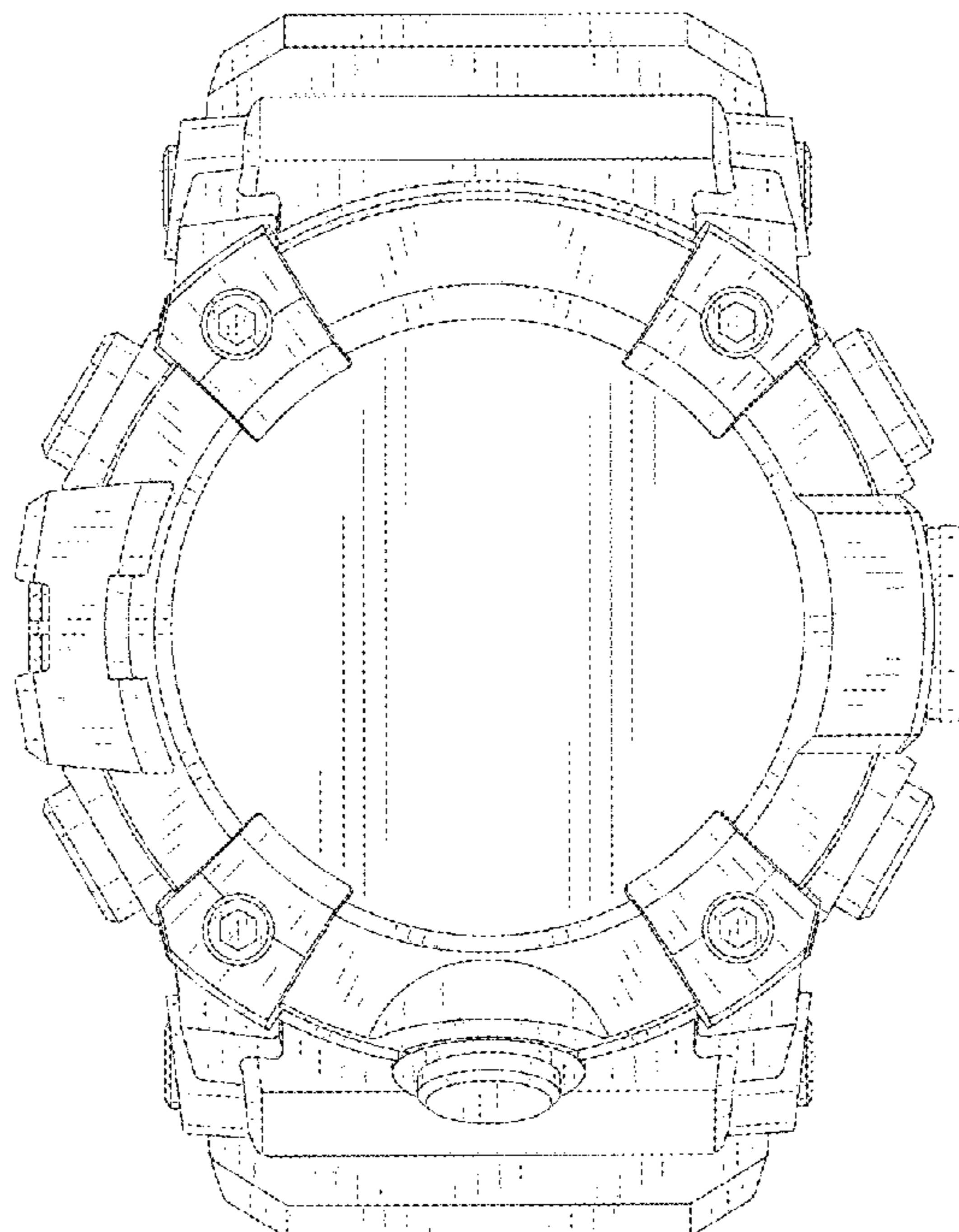
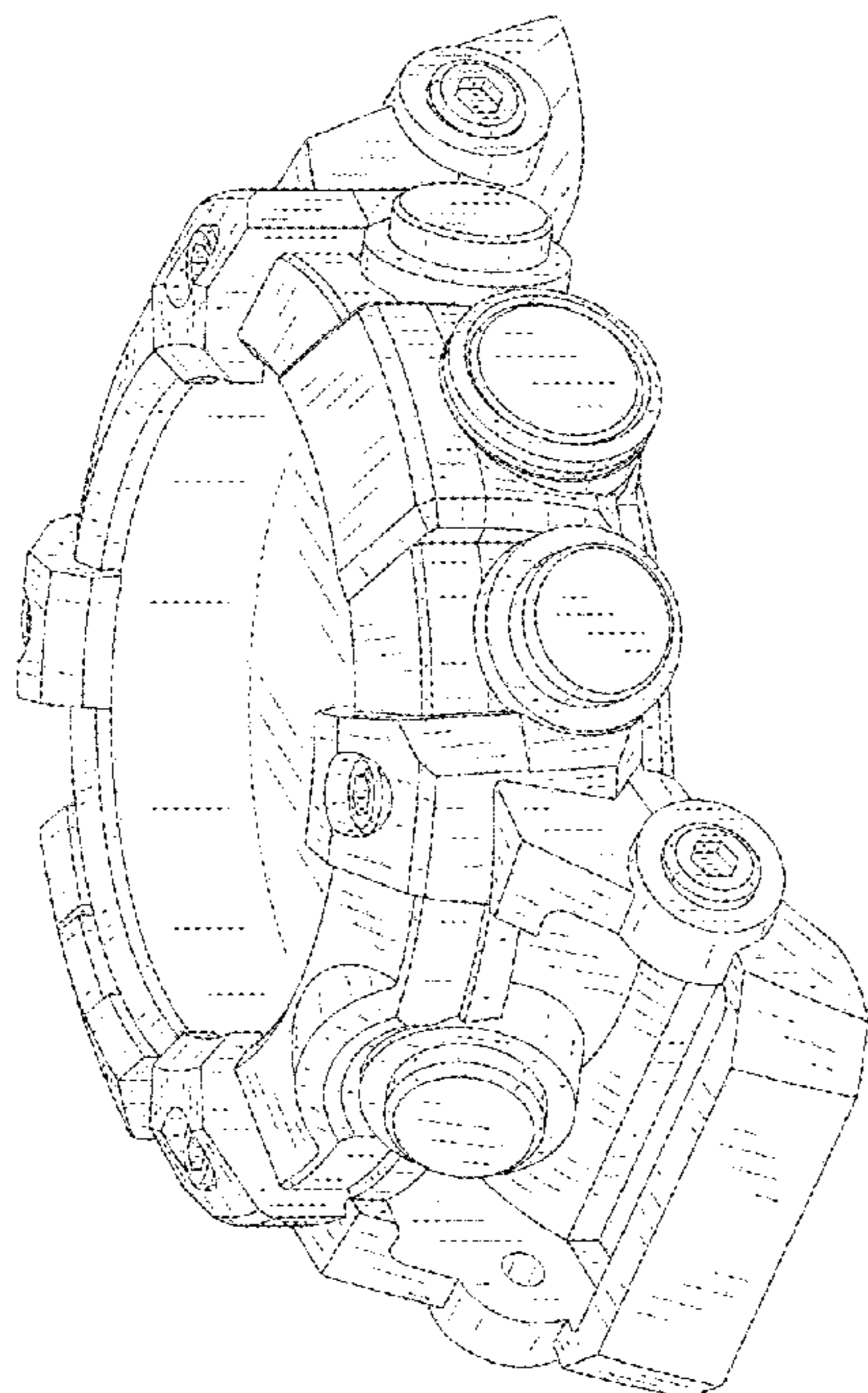
The broken lines show portions of the watch case that form no part of the claimed design.

1 Claim, 7 Drawing Sheets

(56) **References Cited**

U.S. PATENT DOCUMENTS

- D415,968 S * 11/1999 Matsuda
- D441,662 S * 5/2001 Matsuda
- 7,079,453 B2 * 7/2006 Minami G04B 43/00
- D733,602 S * 7/2015 Ikezu
- D742,763 S * 11/2015 Hashimoto
- D776,550 S * 1/2017 Nakai



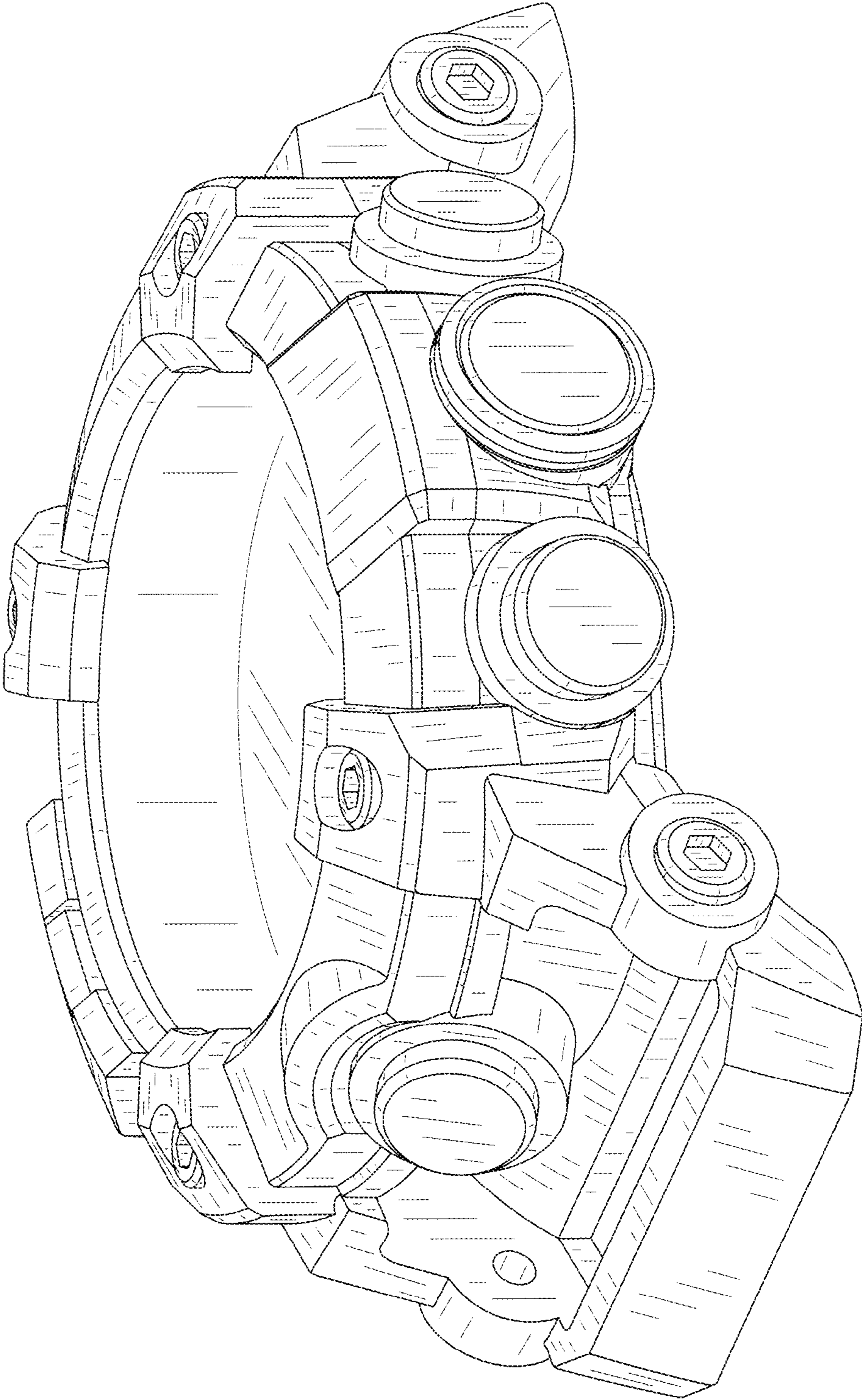


FIG. 1

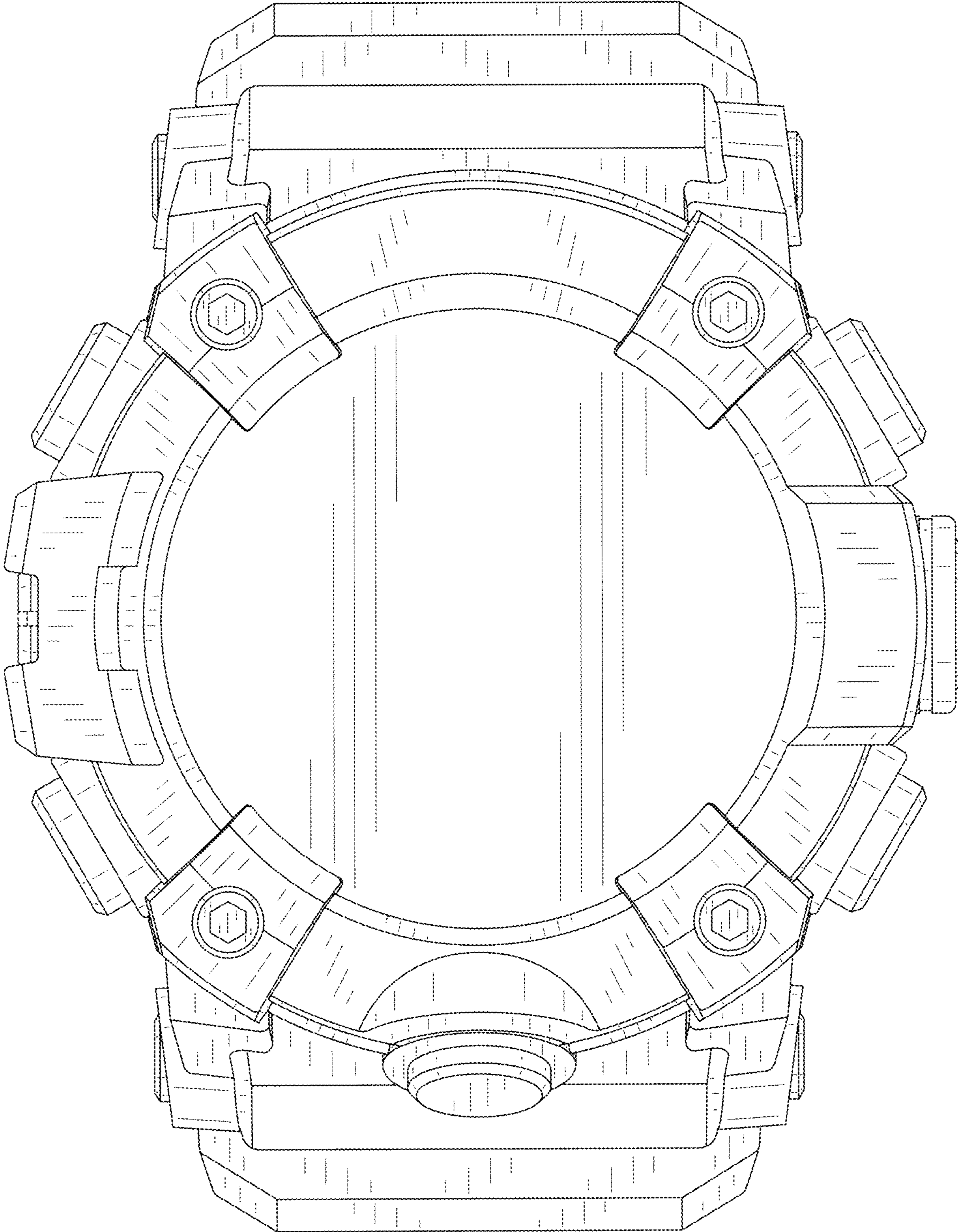


FIG. 2

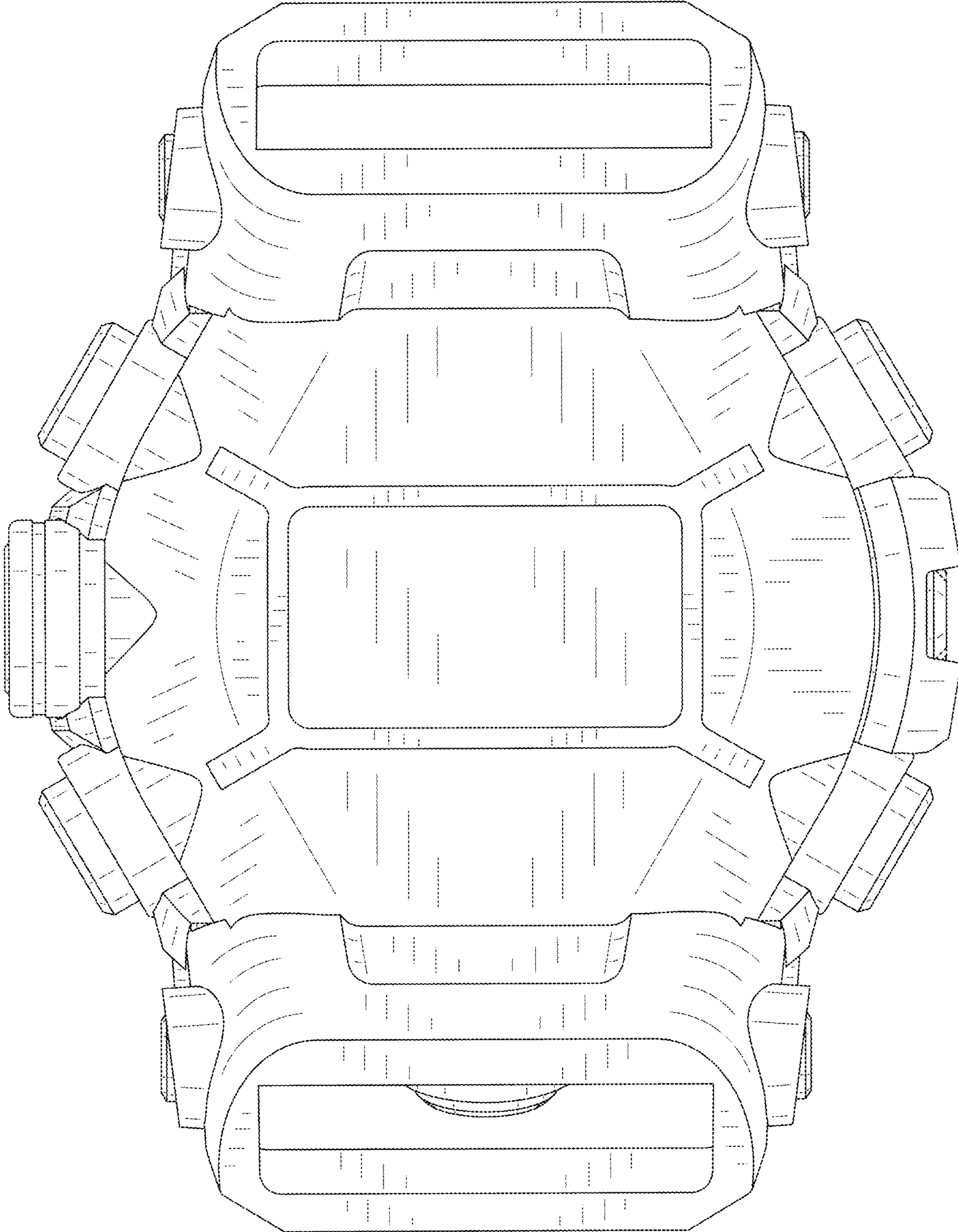


FIG. 3

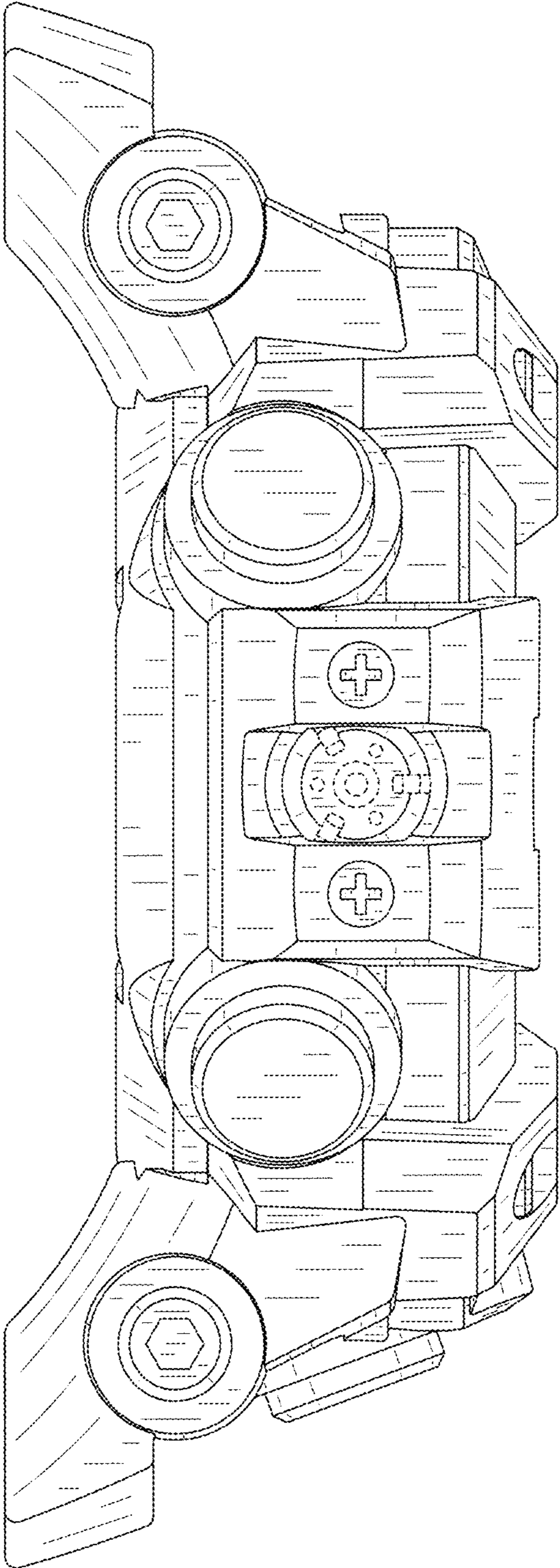


FIG. 4

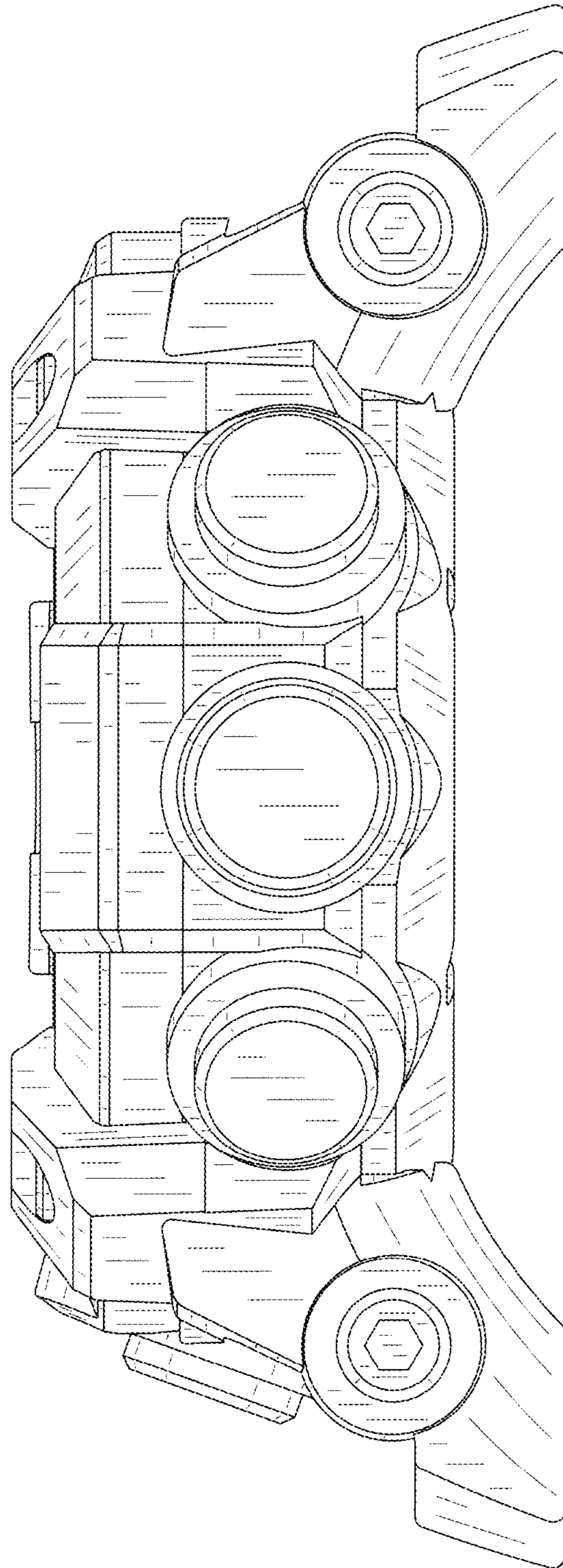


FIG. 5

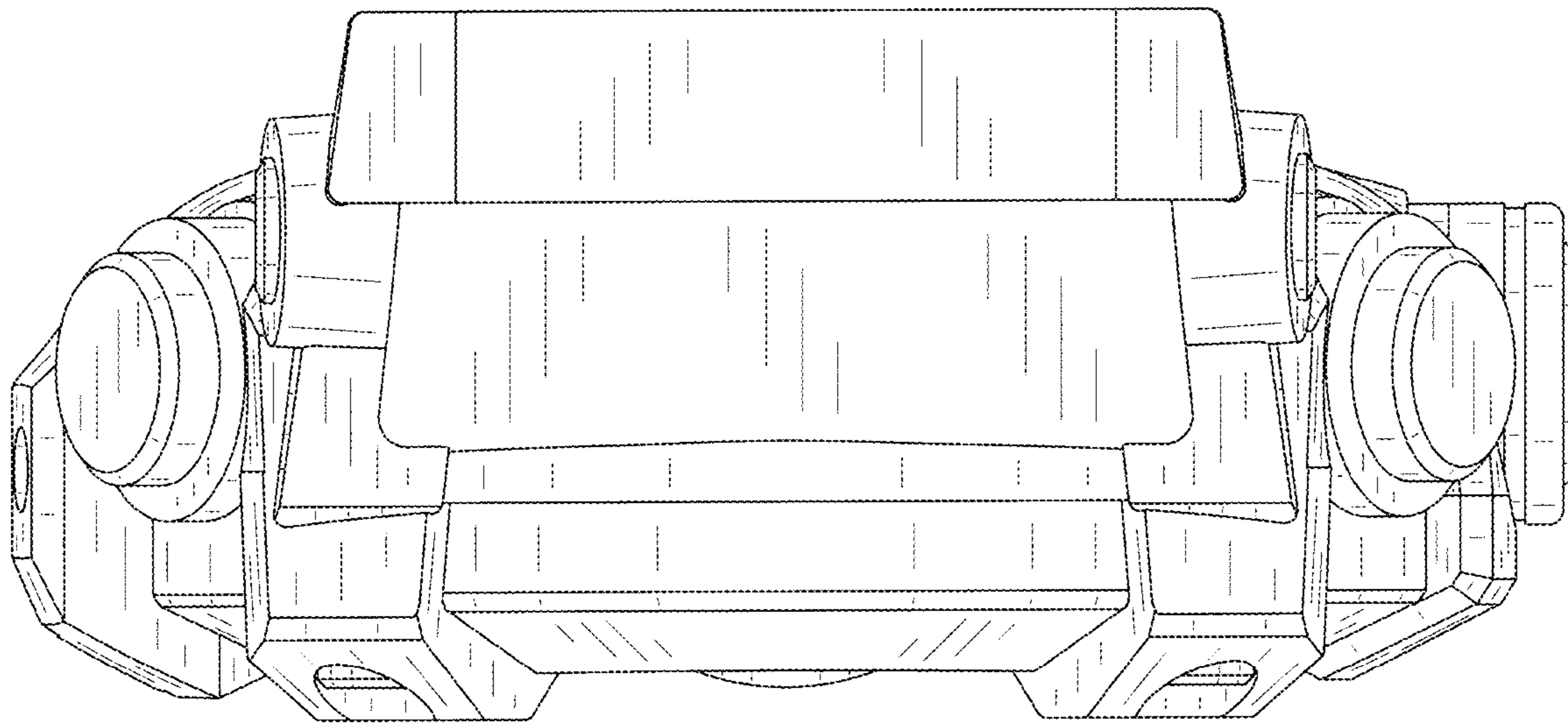


FIG. 6

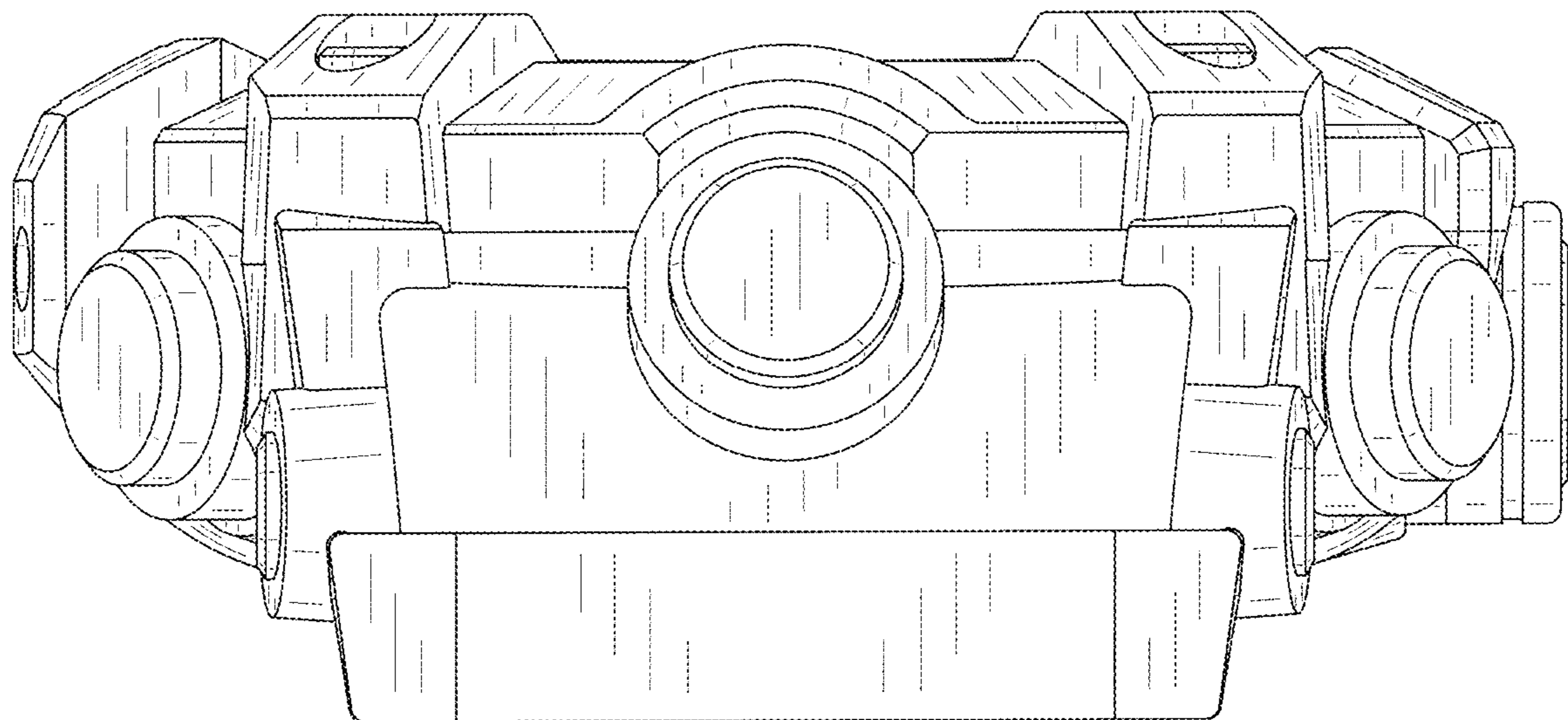


FIG. 7

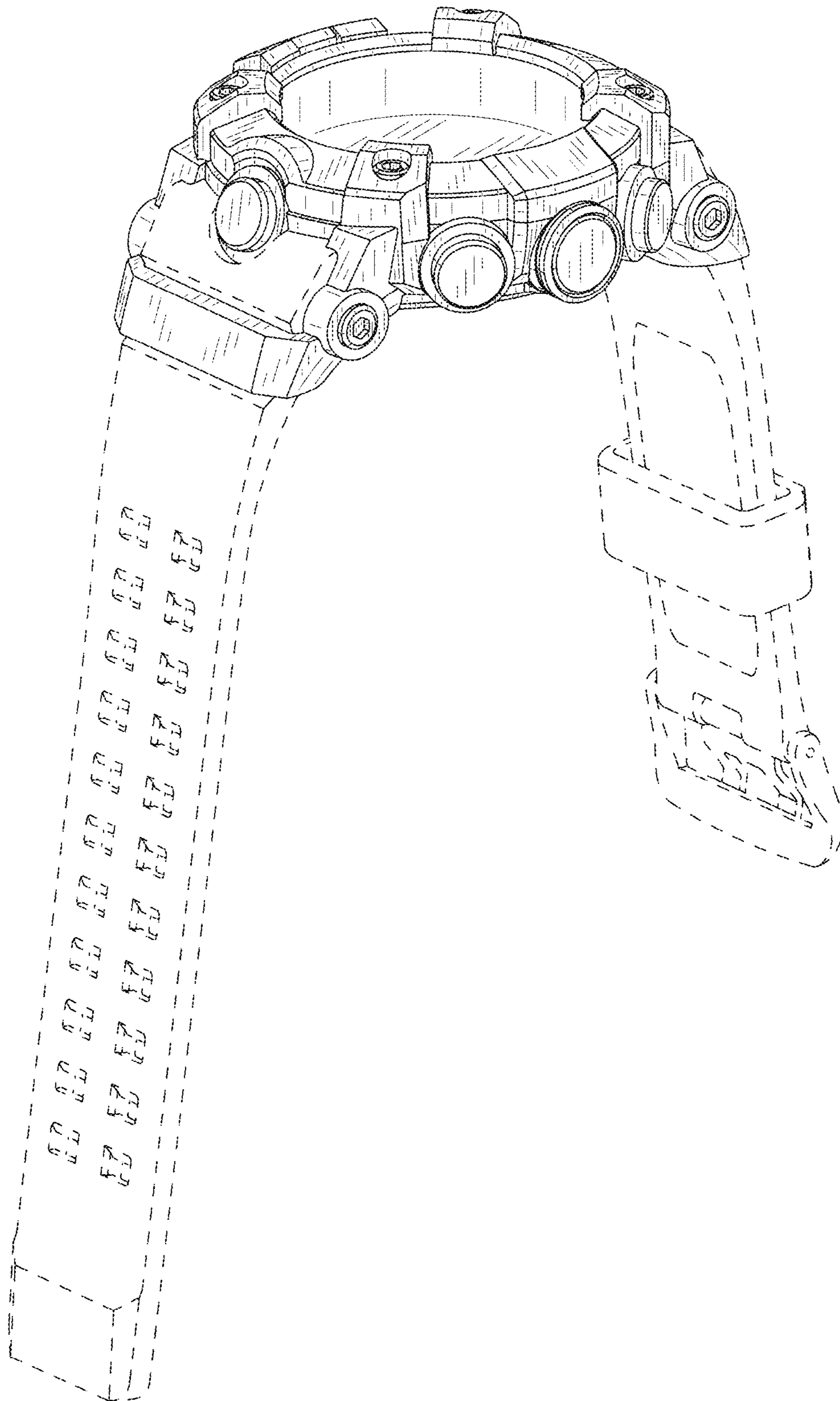


FIG. 8